



US00D603316S

(12) **United States Design Patent**  
**Wolfe**

(10) **Patent No.:** **US D603,316 S**  
(45) **Date of Patent:** **\*\* Nov. 3, 2009**

(54) **SYSTEM CONTROL PANEL**

D579,390 S 10/2008 Wyszogrod et al.  
D581,319 S 11/2008 Longpre et al.

(75) Inventor: **Paul Wolfe**, Fort Wayne, IN (US)

\* cited by examiner

(73) Assignee: **E V Power Systems, Inc.**, Rock Hill, SC (US)

*Primary Examiner*—Caron Veynar  
*Assistant Examiner*—Katrina A Kile

(\*\*) Term: **14 Years**

(74) *Attorney, Agent, or Firm*—Nelson Mullins Riley & Scarborough LLP

(21) Appl. No.: **29/310,993**

(57) **CLAIM**

(22) Filed: **Sep. 24, 2008**

The ornamental design for a system control panel, substantially as shown and described.

(51) **LOC (9) Cl.** ..... **12-16**

(52) **U.S. Cl.** ..... **D12/192**

(58) **Field of Classification Search** ..... D12/192,  
D12/415, 195, 345; 180/190; 280/750-752;  
296/190.01-190.09, 70; D15/17, 28; D10/46,  
D10/98, 102-103

See application file for complete search history.

**DESCRIPTION**

FIG. 1 is a perspective view of a system control panel embodying the design of the present invention;

FIG. 2 is a front elevational view of the system control panel illustrated in FIG. 1;

FIG. 3 is a rear elevational view of the system control panel illustrated in FIG. 1;

FIG. 4 is a left side elevational view of the system control panel illustrated in FIG. 1;

FIG. 5 is a right side elevational view of the system control panel illustrated in FIG. 1;

FIG. 6 is a top view of the system control panel illustrated in FIG. 1; and,

FIG. 7 is a bottom view of the system control panel illustrated in FIG. 1.

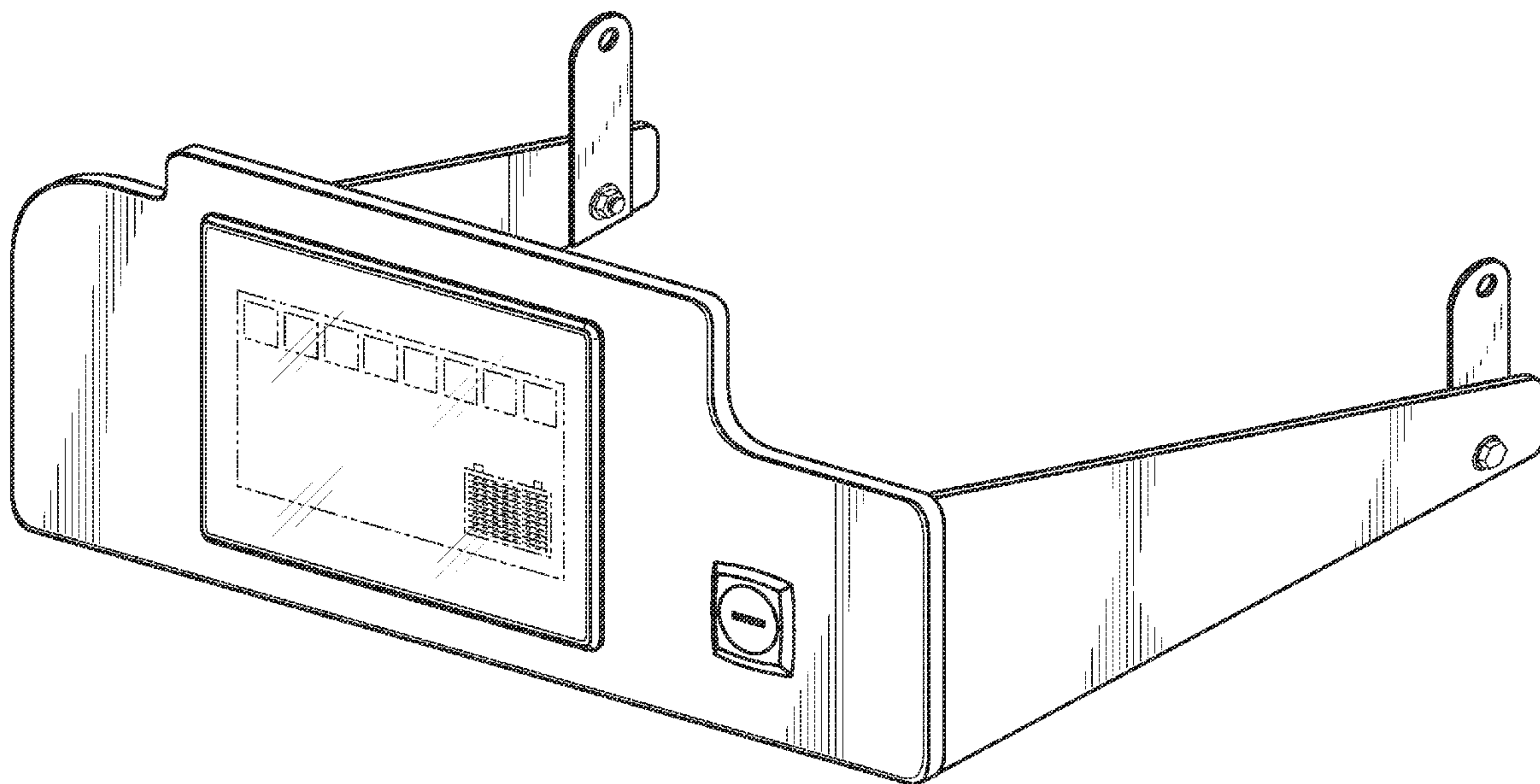
In the drawings, the broken lines show elements of a system control panel and form no part of the claimed design.

(56) **References Cited**

U.S. PATENT DOCUMENTS

D366,265 S *	1/1996	Landon et al.	.....	D15/17
6,110,037 A *	8/2000	Yoshinaka	.....	454/143
D436,906 S *	1/2001	Arai et al.	.....	D12/192
D565,973 S *	4/2008	Huang et al.	.....	D10/46
D566,591 S *	4/2008	Nelson et al.	.....	D10/80
D566,592 S *	4/2008	Nelson et al.	.....	D10/80
D566,597 S *	4/2008	Schneor	.....	D10/103
D567,124 S *	4/2008	Nelson et al.	.....	D10/80
D567,161 S	4/2008	Motozaki et al.		
D569,317 S	5/2008	Schowalter		
D577,640 S	9/2008	Wyszogrod et al.		
D578,048 S	10/2008	Wyszogrod et al.		
D578,454 S	10/2008	Wyszogrod et al.		

**1 Claim, 5 Drawing Sheets**



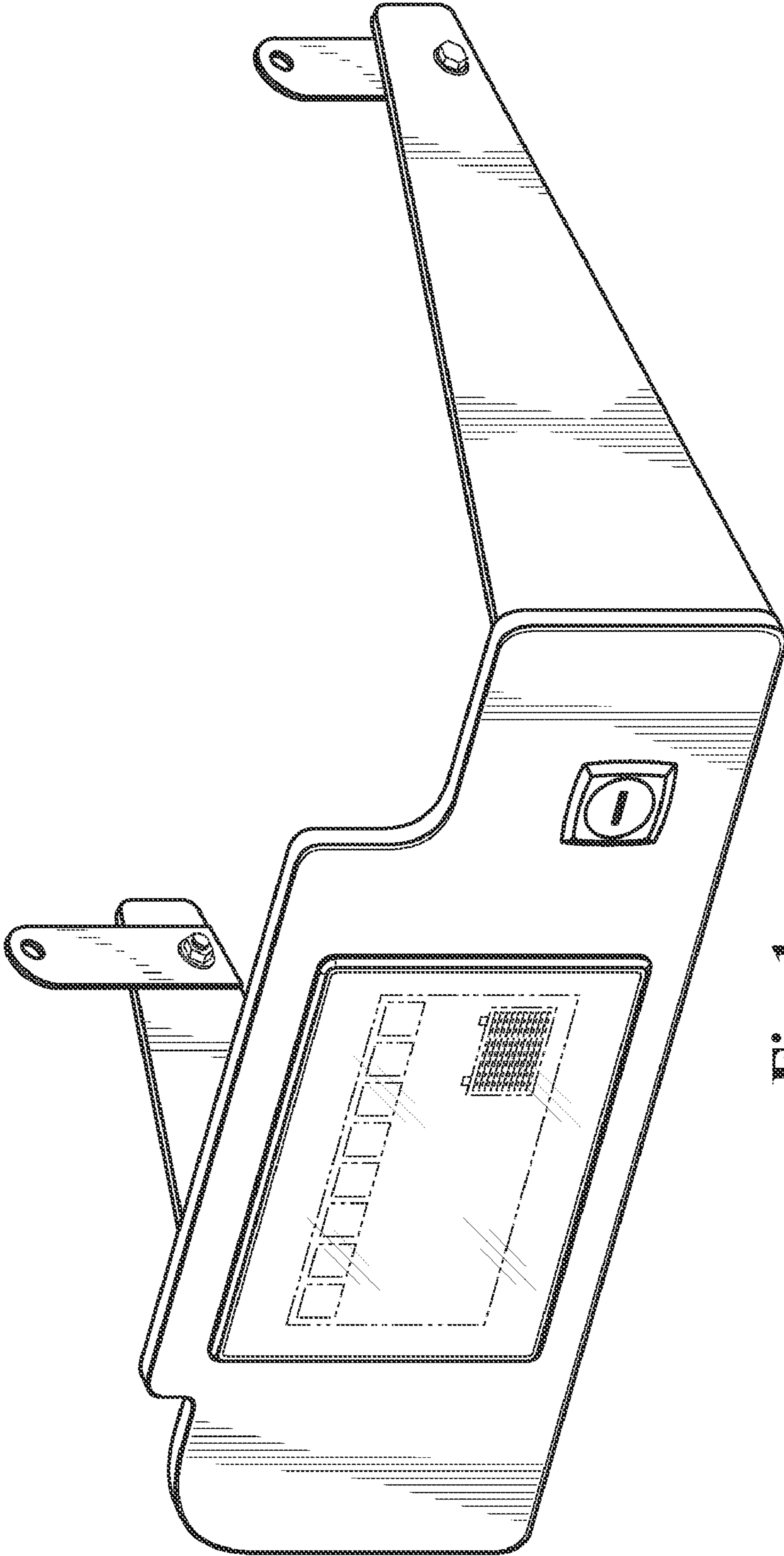
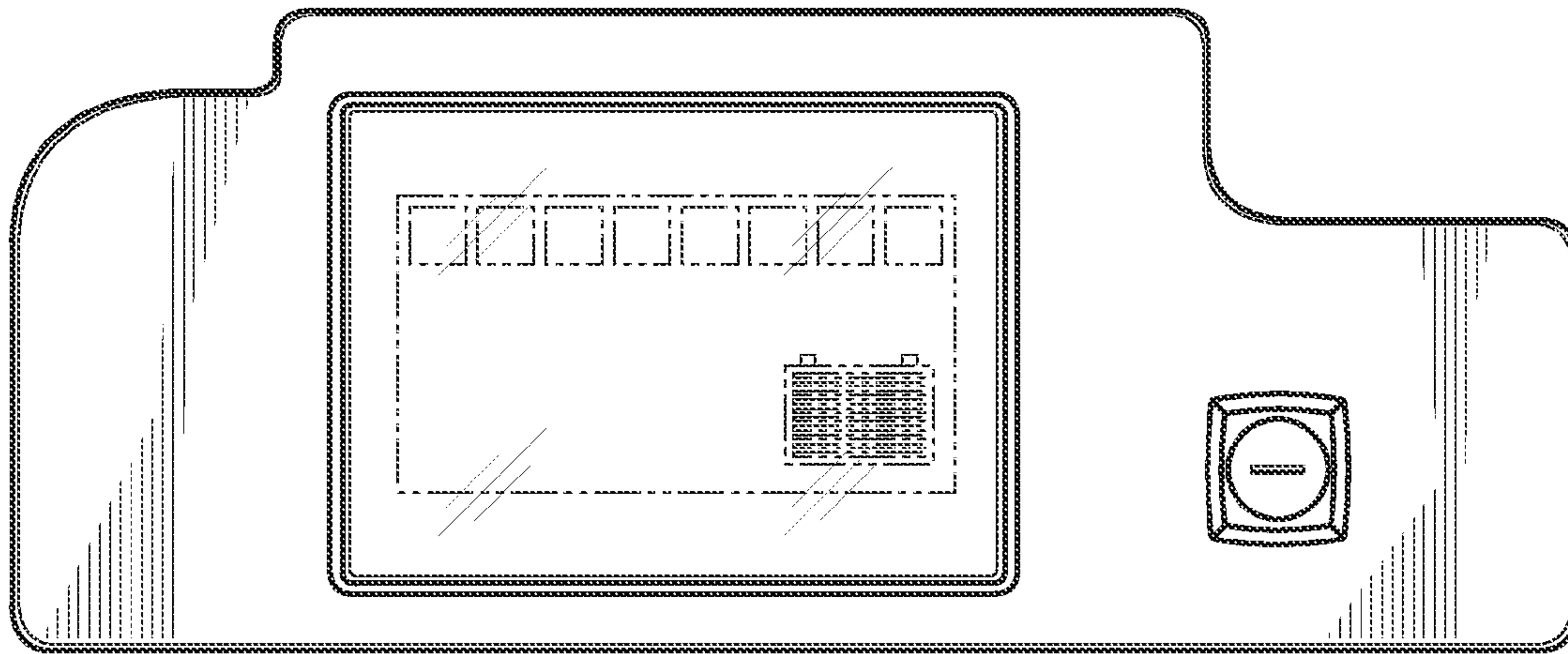
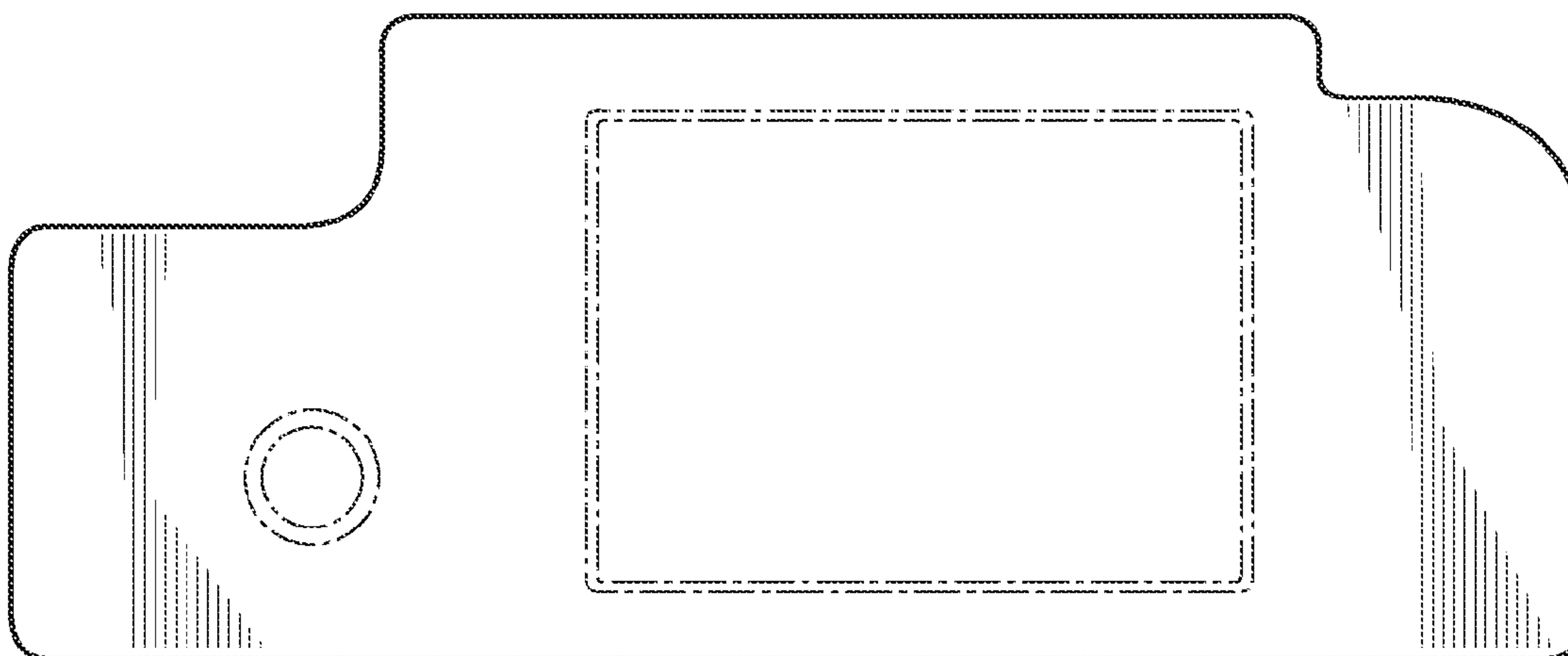


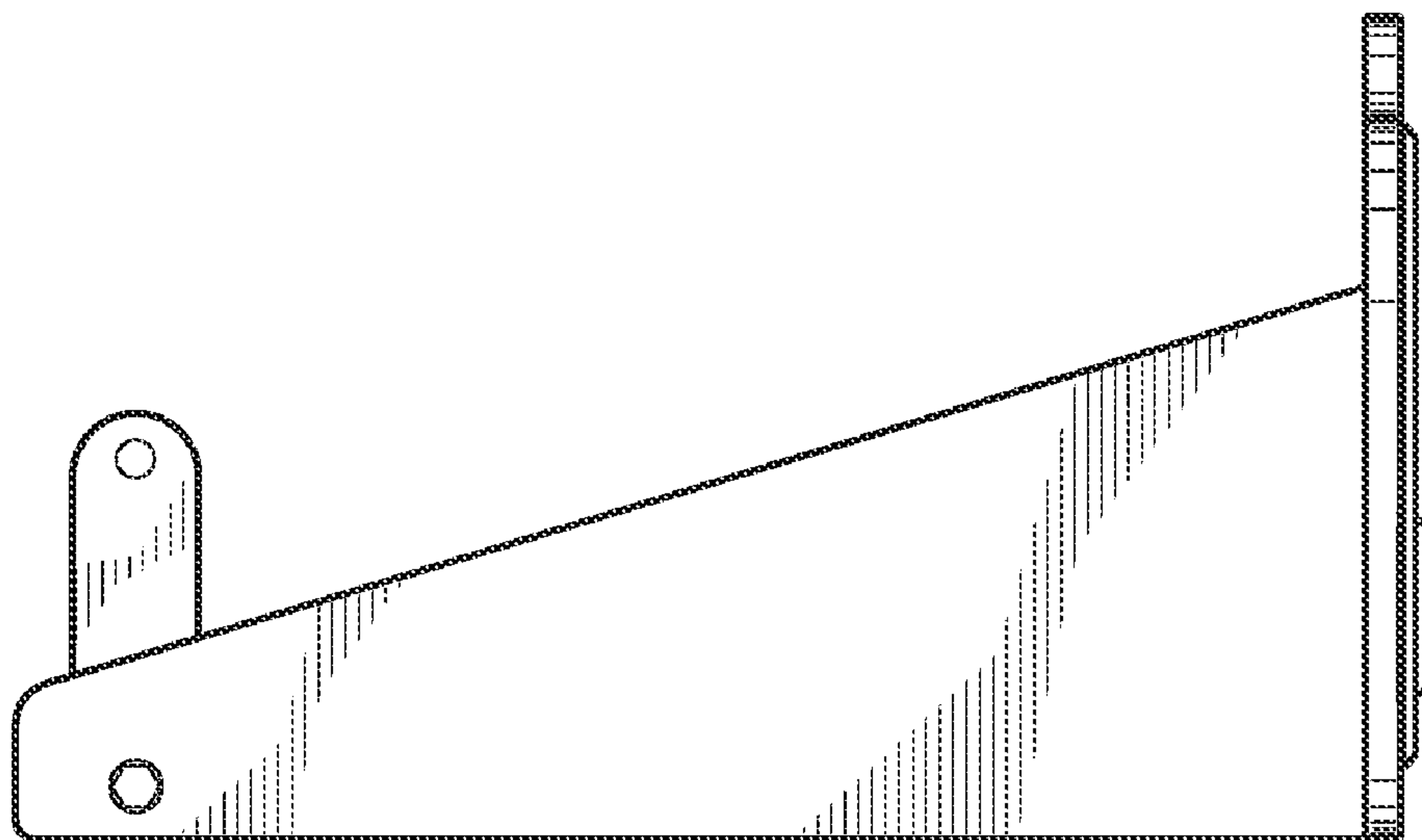
Fig. 1



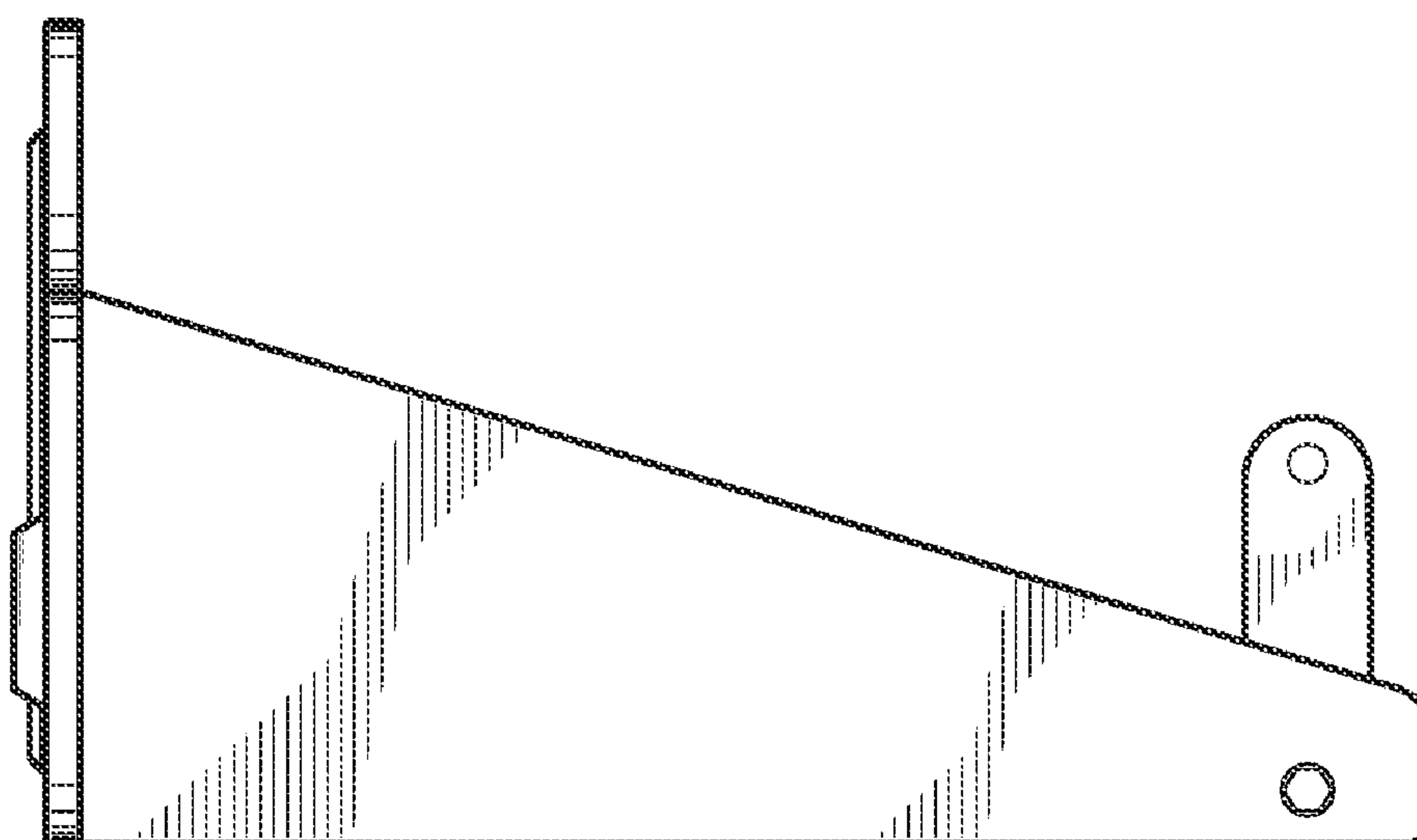
**Fig. 2**



**Fig. 3**



**Fig. 4**



**Fig. 5**





Fig. 6

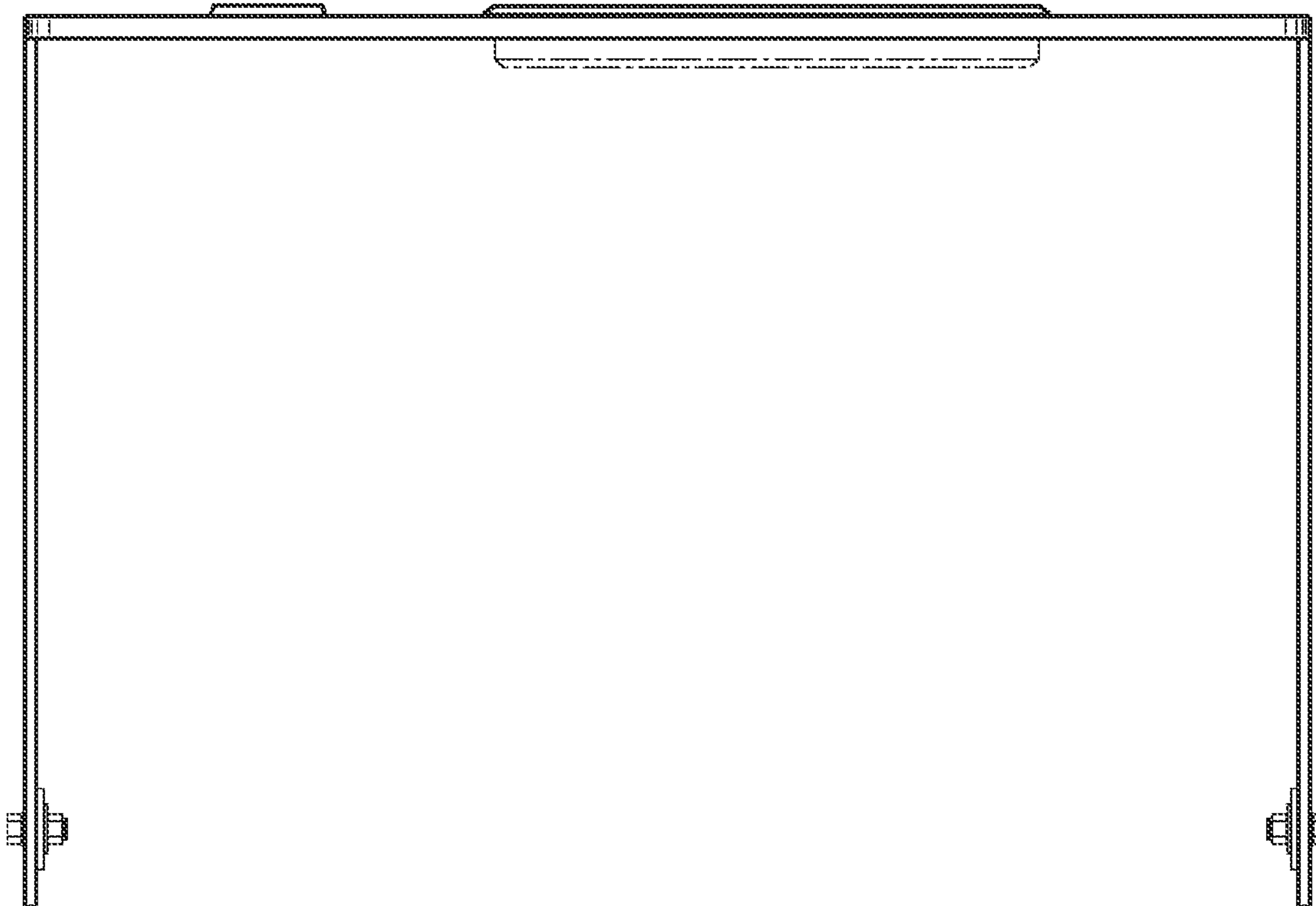


Fig. 7