



US00D603311S

(12) **United States Design Patent**
Schiavone et al.

(10) **Patent No.:** **US D603,311 S**

(45) **Date of Patent:** **** Nov. 3, 2009**

(54) **VEHICLE REAR BUMPER COVER**

(75) Inventors: **Patrick Schiavone**, Bloomfield, MI (US); **Doyle Letson**, Novi, MI (US); **Hak Soo Ha**, Northville, MI (US); **Lukas Chung**, Royal Oak, MI (US)

(73) Assignee: **Ford Motor Company**, Dearborn, MI (US)

(**) Term: **14 Years**

(21) Appl. No.: **29/333,743**

(22) Filed: **Mar. 13, 2009**

Related U.S. Application Data

(63) Continuation of application No. 29/319,316, filed on Jun. 6, 2008, now abandoned.

(51) **LOC (9) Cl.** **12-16**

(52) **U.S. Cl.** **D12/169**

(58) **Field of Classification Search** D12/169, D12/196, 171, 163, 216, 90-92, 86; 293/102, 293/113, 115, 117, 120; 296/180.1, 180.2
See application file for complete search history.

(56) **References Cited**

U.S. PATENT DOCUMENTS

D514,481 S *	2/2006	Lai	D12/169
D516,973 S *	3/2006	Baum	D12/169
D522,937 S *	6/2006	Tada	D12/169
D532,345 S *	11/2006	Kulla et al.	D12/169
D532,726 S *	11/2006	Sonoda et al.	D12/169
D533,487 S *	12/2006	Truebsbach	D12/169
D533,818 S *	12/2006	Kitazumi et al.	D12/169
D560,574 S	1/2008	Okamoto et al.		
D575,690 S *	8/2008	Suzuki et al.	D12/169
D580,834 S	11/2008	Saridakis et al.		

D583,726 S *	12/2008	Song et al.	D12/169
D584,202 S *	1/2009	Sonoda et al.	D12/169
D590,308 S *	4/2009	Futschik et al.	D12/169
D592,567 S *	5/2009	Saracoglu	D12/169

OTHER PUBLICATIONS

New York 2004 Lincoln Concept Aviator, <http://www.a2mac1.net>.
Spy Photos: 2008 Lincoln MKX—Maybe, <http://jalopnik.com/cars/news/spy-photos-2008-lincoln-mkx-+-maybe>.
New York 2007 Lincoln MKX V6, <http://www.12mac1.net>.
Detroit 2008: Lincoln MKT Concept is bold and bedazzled, Jan. 14, 2008, <http://WWW.autoblog.com/2008/01/14/detroit-2008-lincoln-mkt-concept-bold-and-bedazzled/>.

* cited by examiner

Primary Examiner—Melody N Brown

(74) *Attorney, Agent, or Firm*—Damian Porcari

(57) **CLAIM**

The ornamental design for a vehicle rear bumper cover, as shown and described.

DESCRIPTION

FIG. 1 is a front elevational view of the vehicle front bumper cover showing our new design;

FIG. 2 is a left side elevational view of the vehicle rear bumper cover;

FIG. 3 is a right side elevational view of the vehicle rear bumper cover;

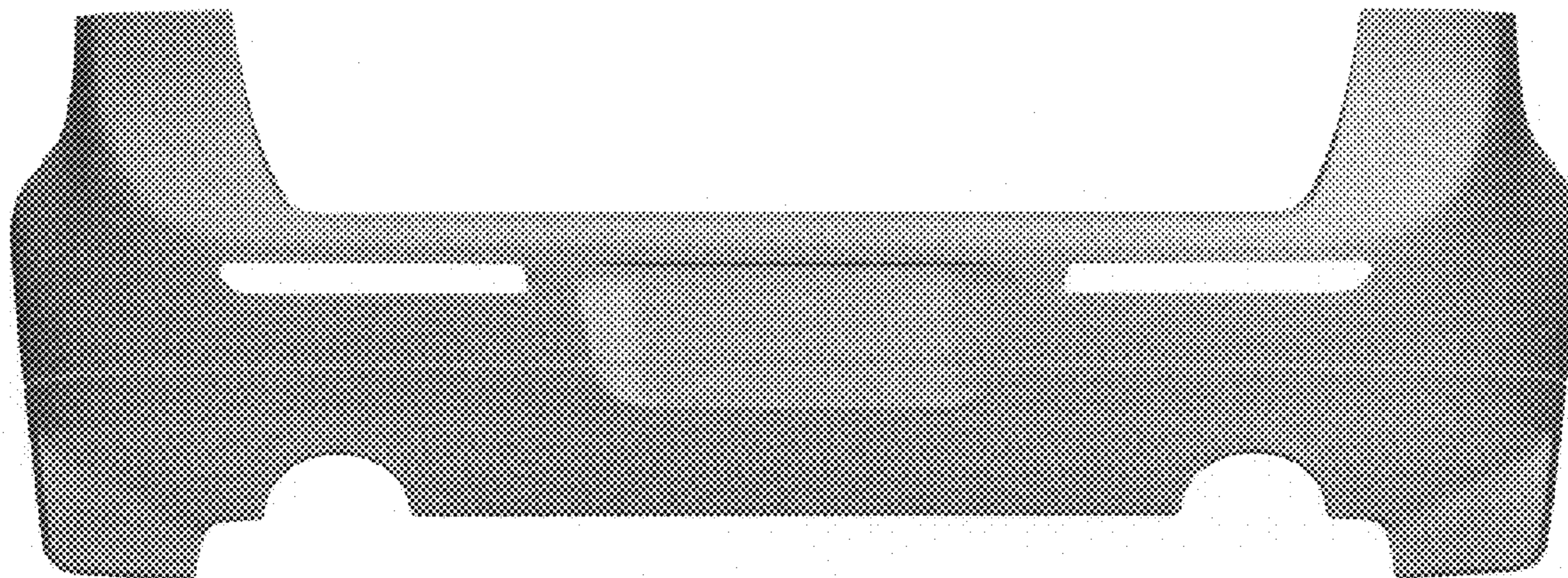
FIG. 4 is a top plan view of the vehicle rear bumper cover;

FIG. 5 is a bottom plan view of the vehicle rear bumper cover; and,

FIG. 6 is a rear view of the vehicle rear bumper cover.

Views are orthogonal projections unless otherwise noted. The various views are not necessarily to scale in order to better illustrate the design.

1 Claim, 5 Drawing Sheets



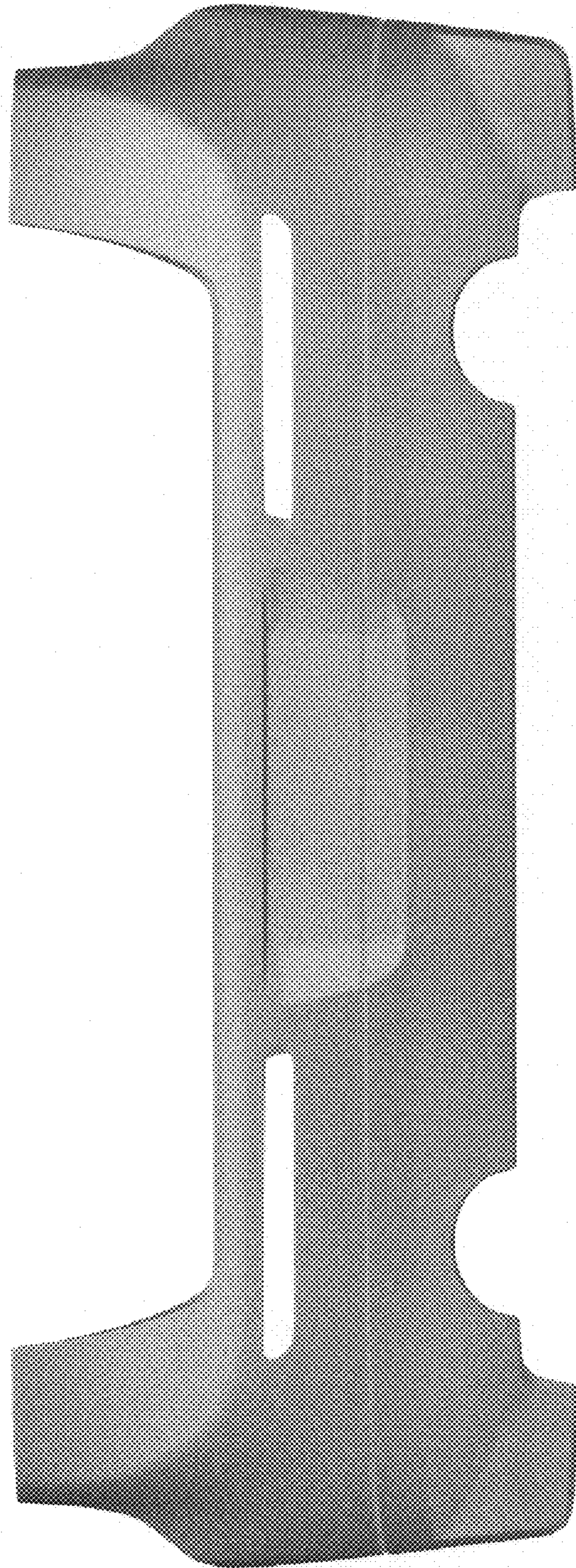


Figure 1

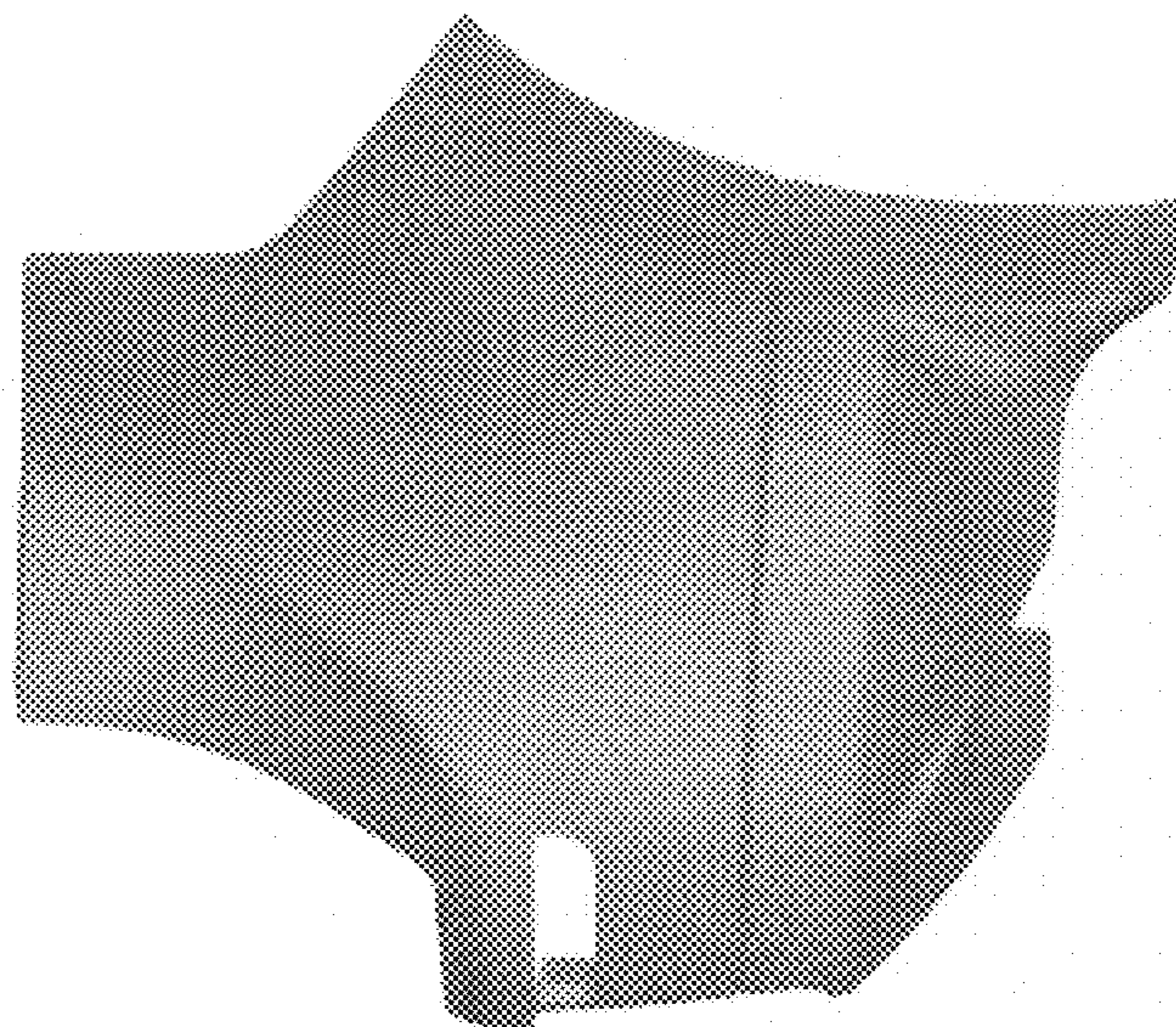


Figure 3

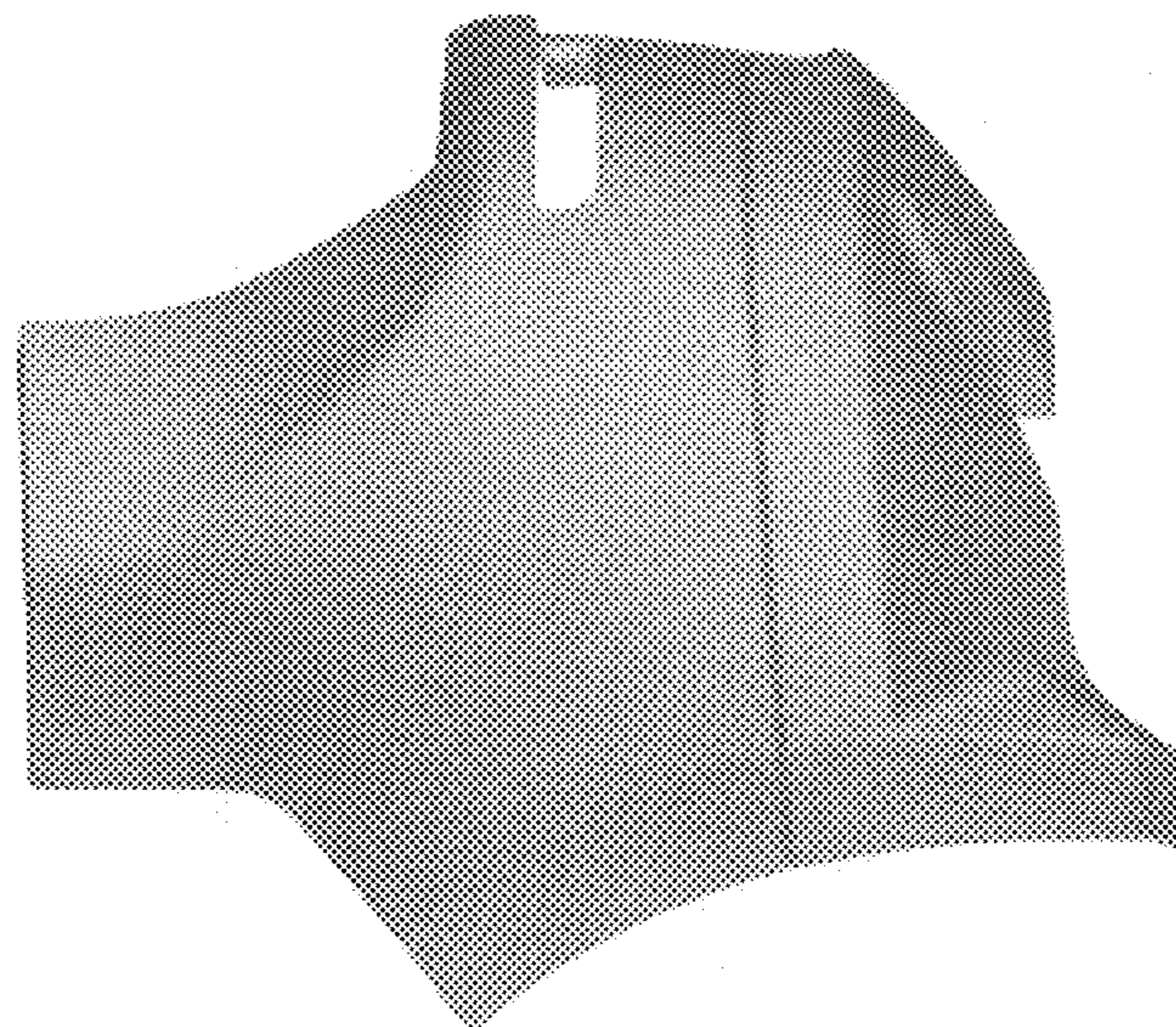


Figure 2

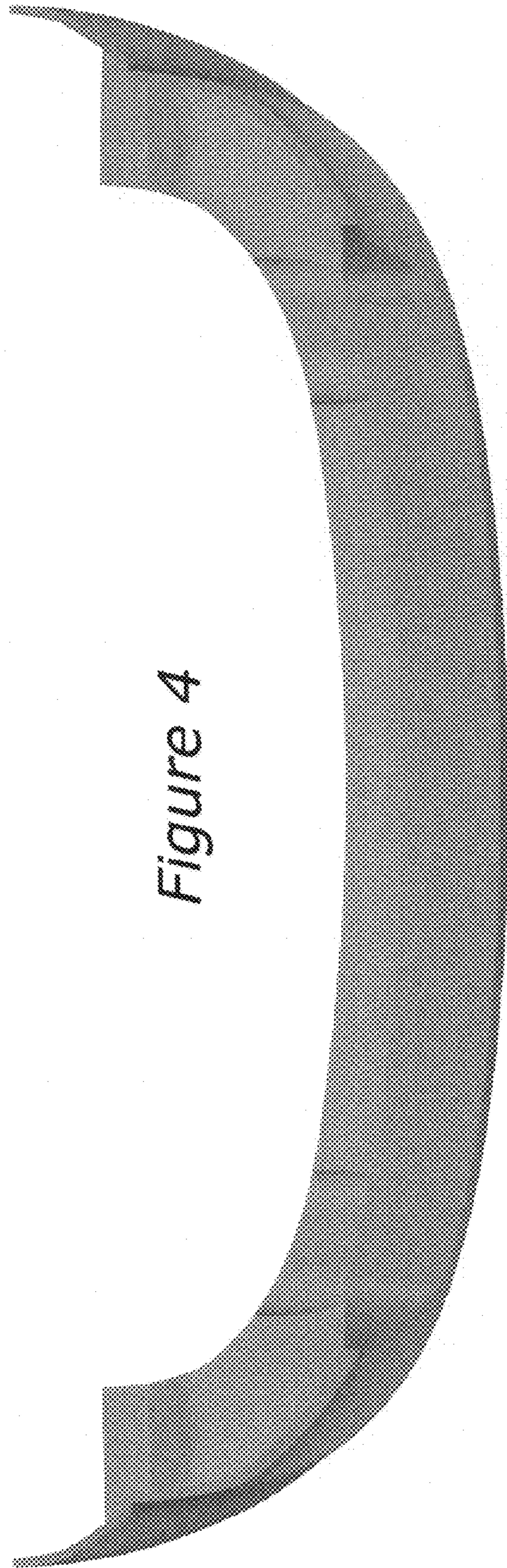


Figure 4

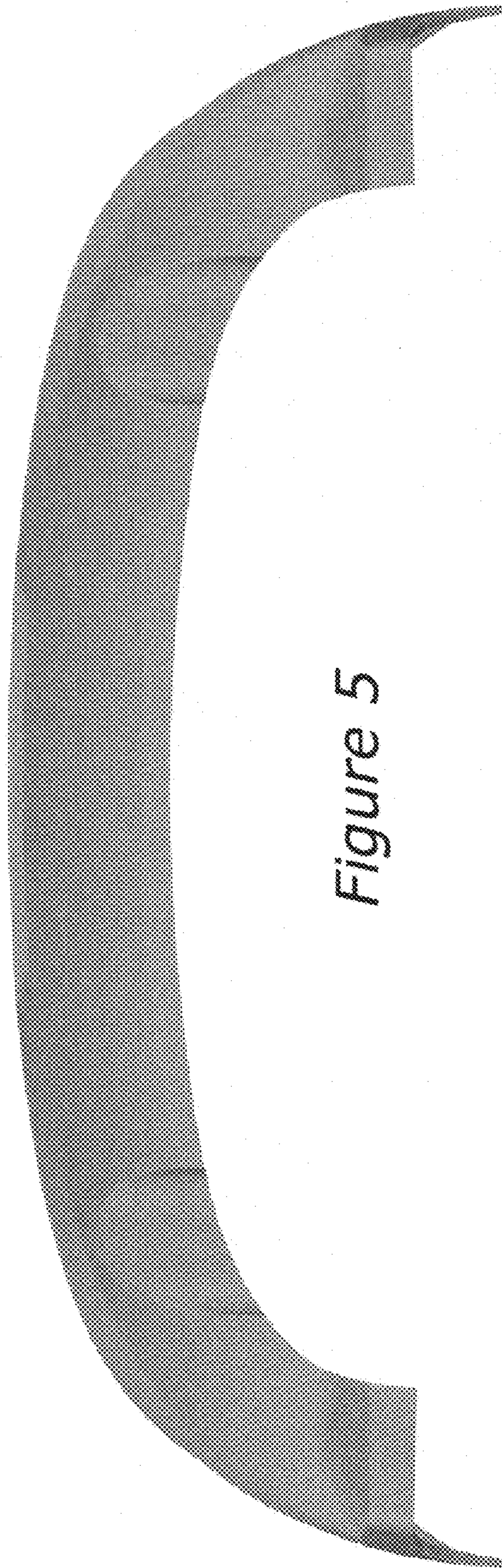


Figure 5

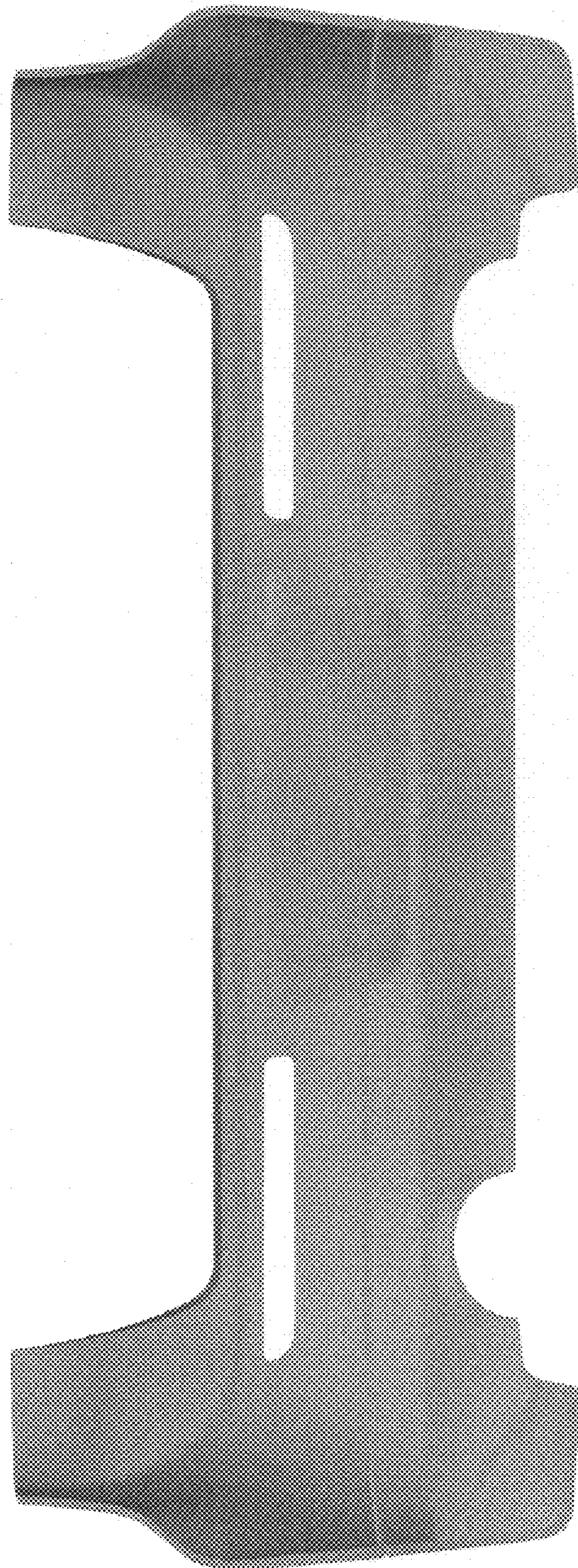


Figure 6