



US00D603307S

(12) **United States Design Patent**  
**Jung et al.**

(10) **Patent No.:** **US D603,307 S**

(45) **Date of Patent:** **\*\* Nov. 3, 2009**

(54) **PORTION OF A VEHICLE EXTERIOR**

(75) Inventors: **Chi Jung**, Torrance, CA (US); **Satoru Kato**, Redondo Beach, CA (US)

(73) Assignee: **Honda Motor Co., Ltd.**, Tokyo (JP)

(\*\*) Term: **14 Years**

(21) Appl. No.: **29/326,555**

(22) Filed: **Oct. 20, 2008**

(51) **LOC (9) Cl.** ..... **12-16**

(52) **U.S. Cl.** ..... **D12/164; D12/196**

(58) **Field of Classification Search** ..... D12/164,  
D12/196, 90-92, 86; 296/181.1, 181.5  
See application file for complete search history.

(56) **References Cited**

U.S. PATENT DOCUMENTS

D525,575 S	*	7/2006	Matei et al.	.....	D12/196
D534,106 S		12/2006	Matei		
D539,190 S		3/2007	Brown et al.		
D579,823 S	*	11/2008	Choi et al.	.....	D12/91
D587,170 S	*	2/2009	Tokoro et al.	.....	D12/91

\* cited by examiner

*Primary Examiner*—Melody N Brown

(74) *Attorney, Agent, or Firm*—Plumsea Law Group, LLC; Mark E. Duell

(57) **CLAIM**

The ornamental design for a portion of a vehicle exterior, as shown and described.

**DESCRIPTION**

FIG. 1 is a front perspective view of a portion of a vehicle exterior showing our new design;

FIG. 2 is a rear perspective view thereof;

FIG. 3 is a front perspective view of the opposite side thereof;

FIG. 4 is a rear perspective view of the opposite side thereof;

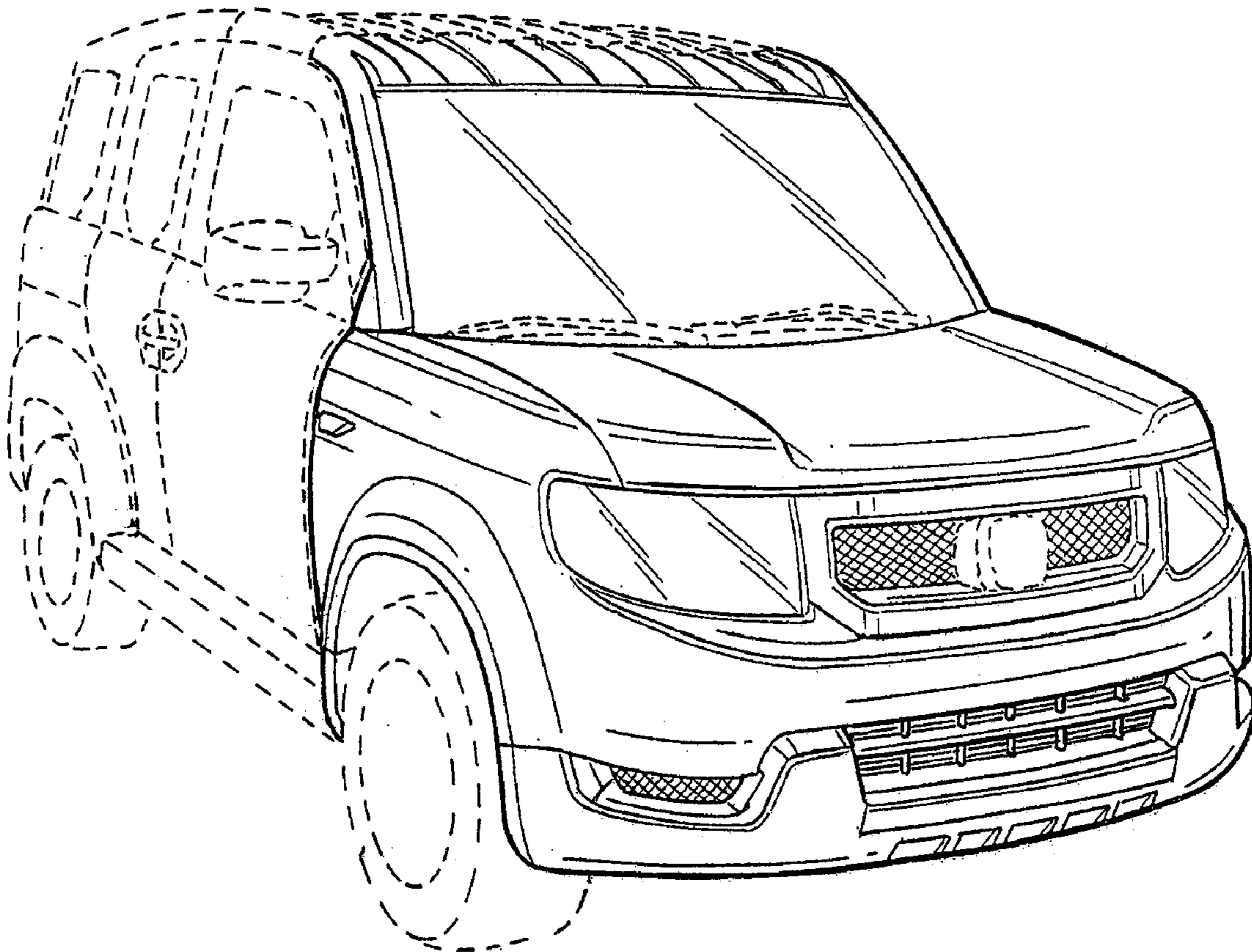
FIG. 5 is a side elevational view thereof;

FIG. 6 is a side elevational view of the opposite side thereof; and,

FIG. 7 is a front elevational view thereof.

The broken line showings of the wheels, tires, grille marquee, front windshield wipers, tail pipes, and the remainder of the vehicle depict environmental subject matter and form no part of the claimed design.

**1 Claim, 7 Drawing Sheets**



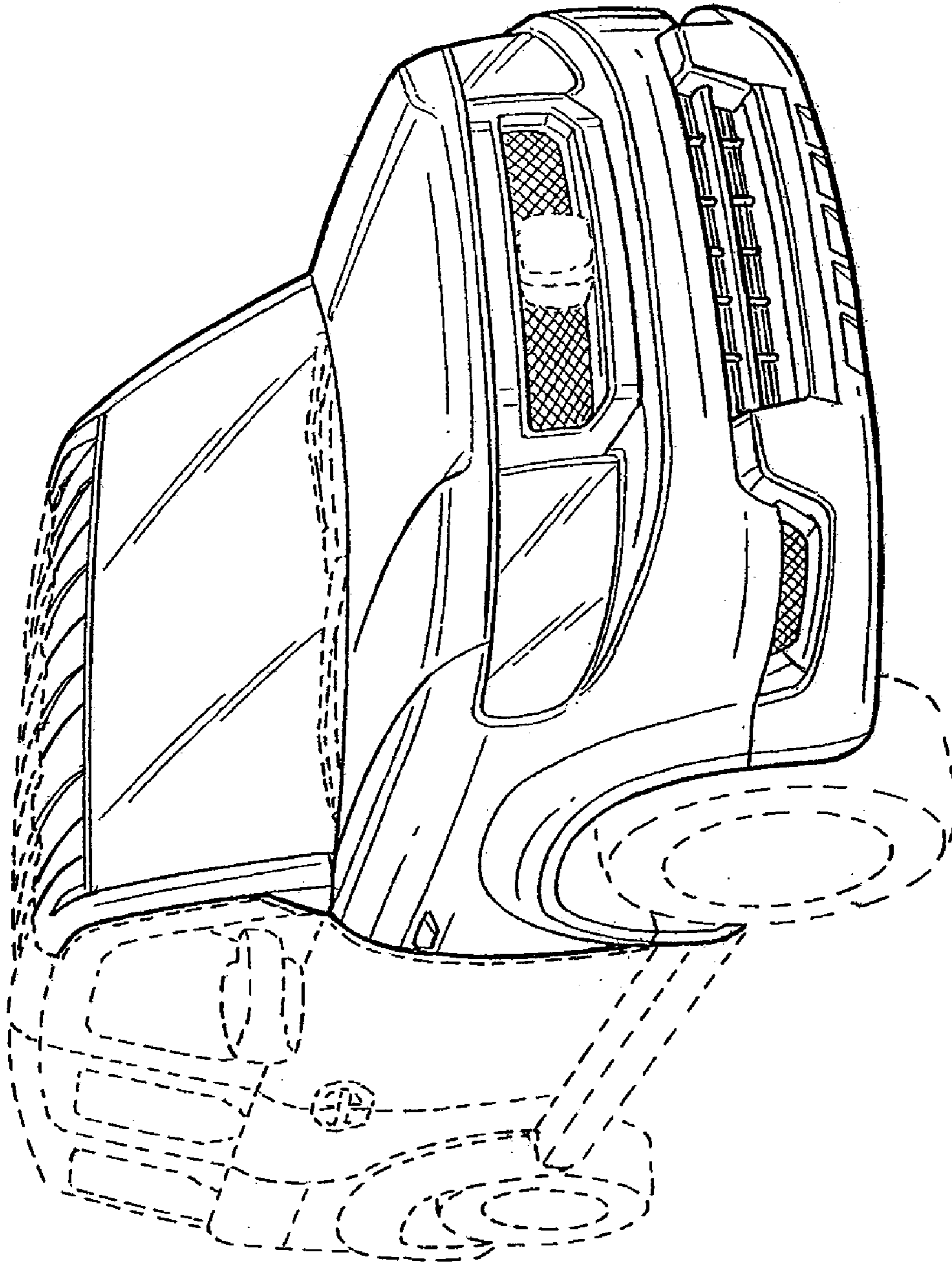


FIG. 1

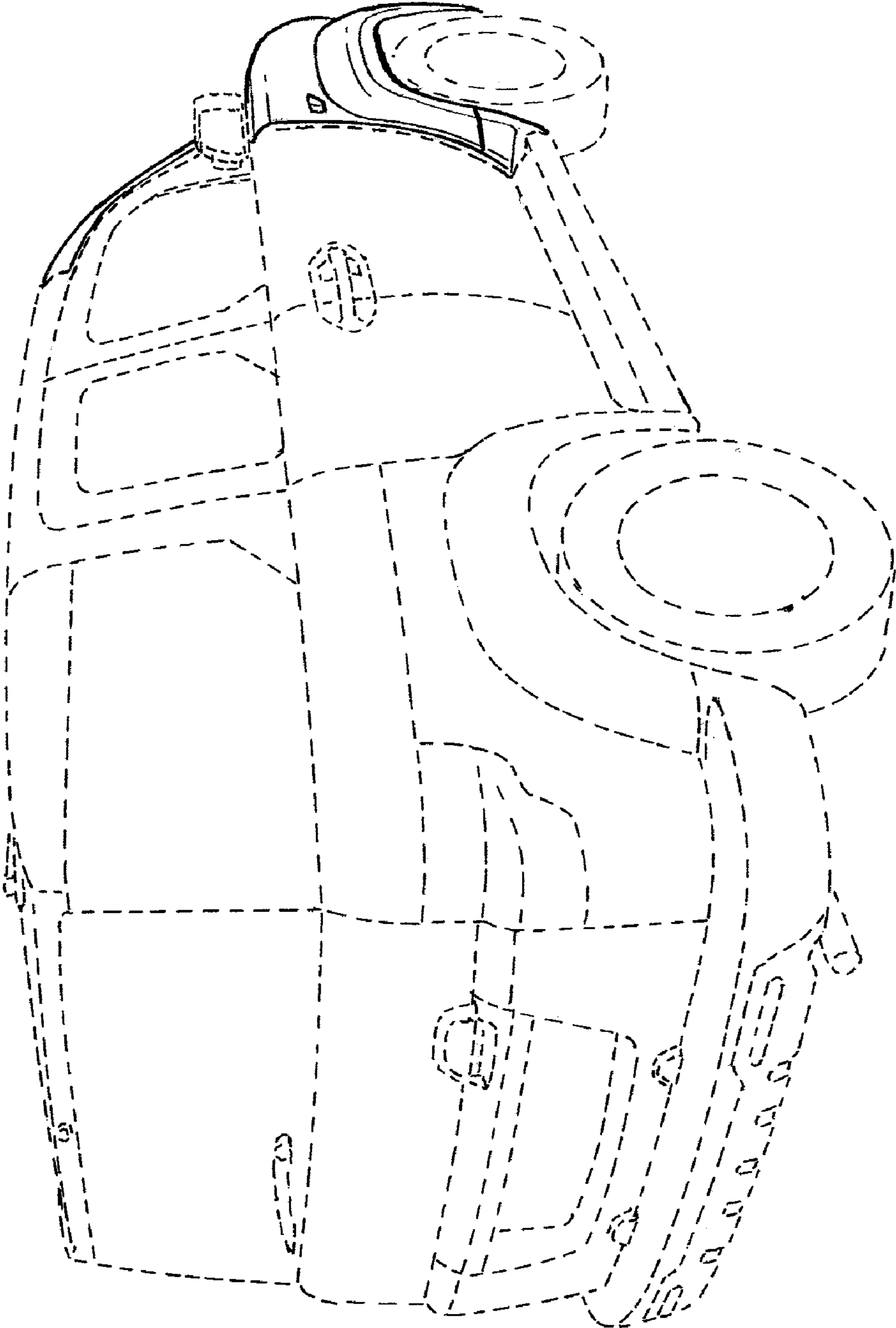


FIG. 2

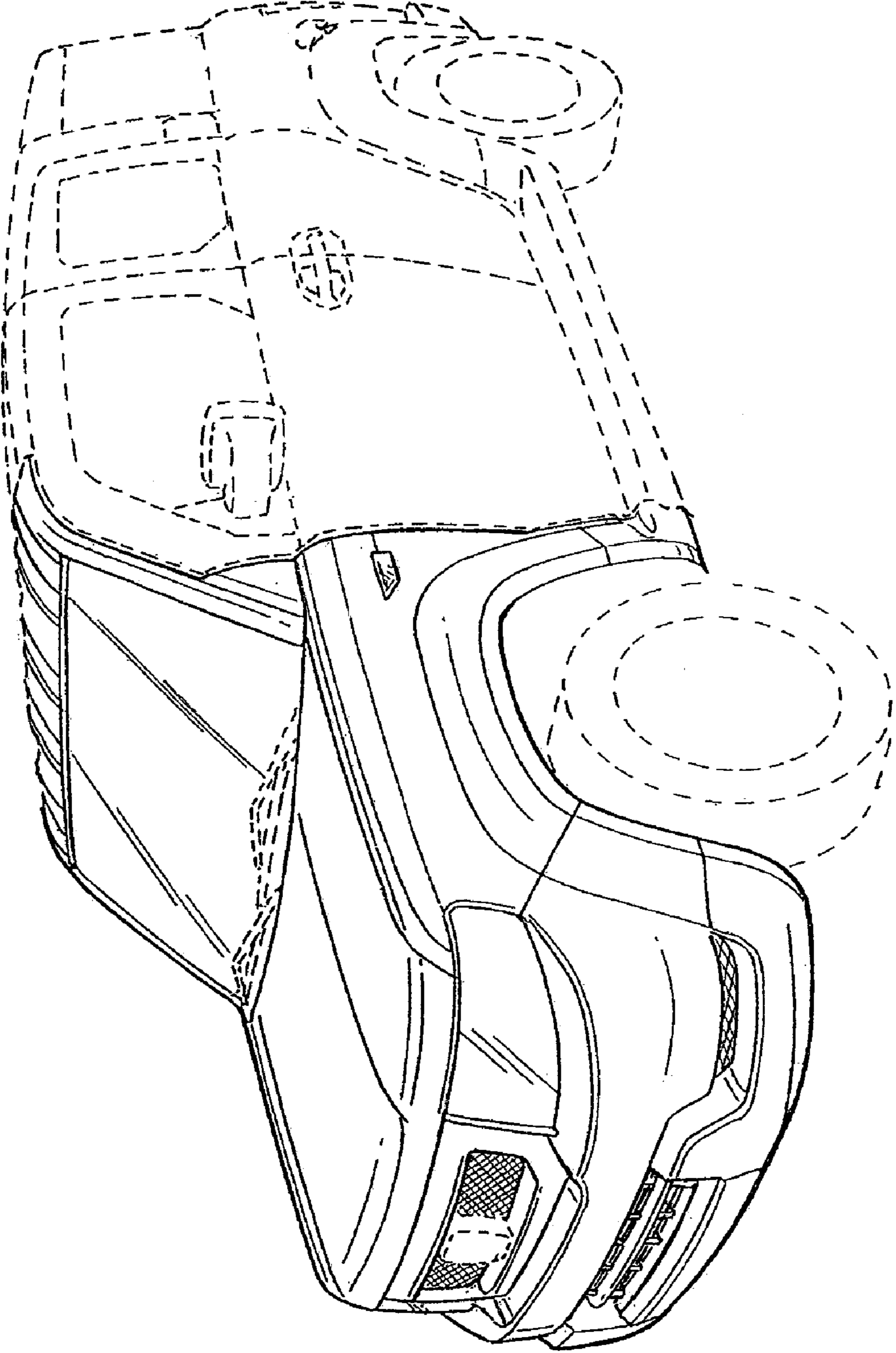


FIG. 3

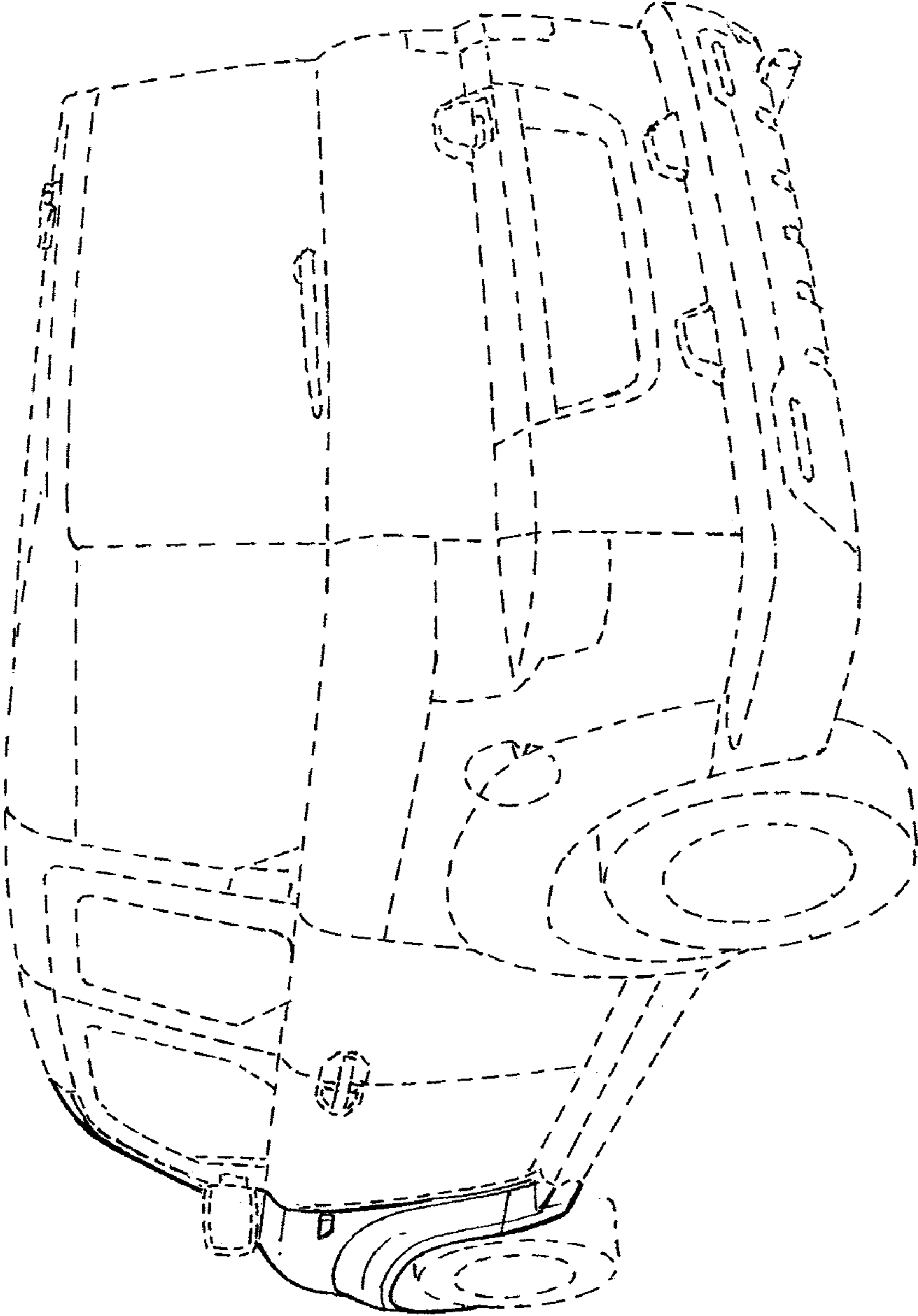


FIG. 4

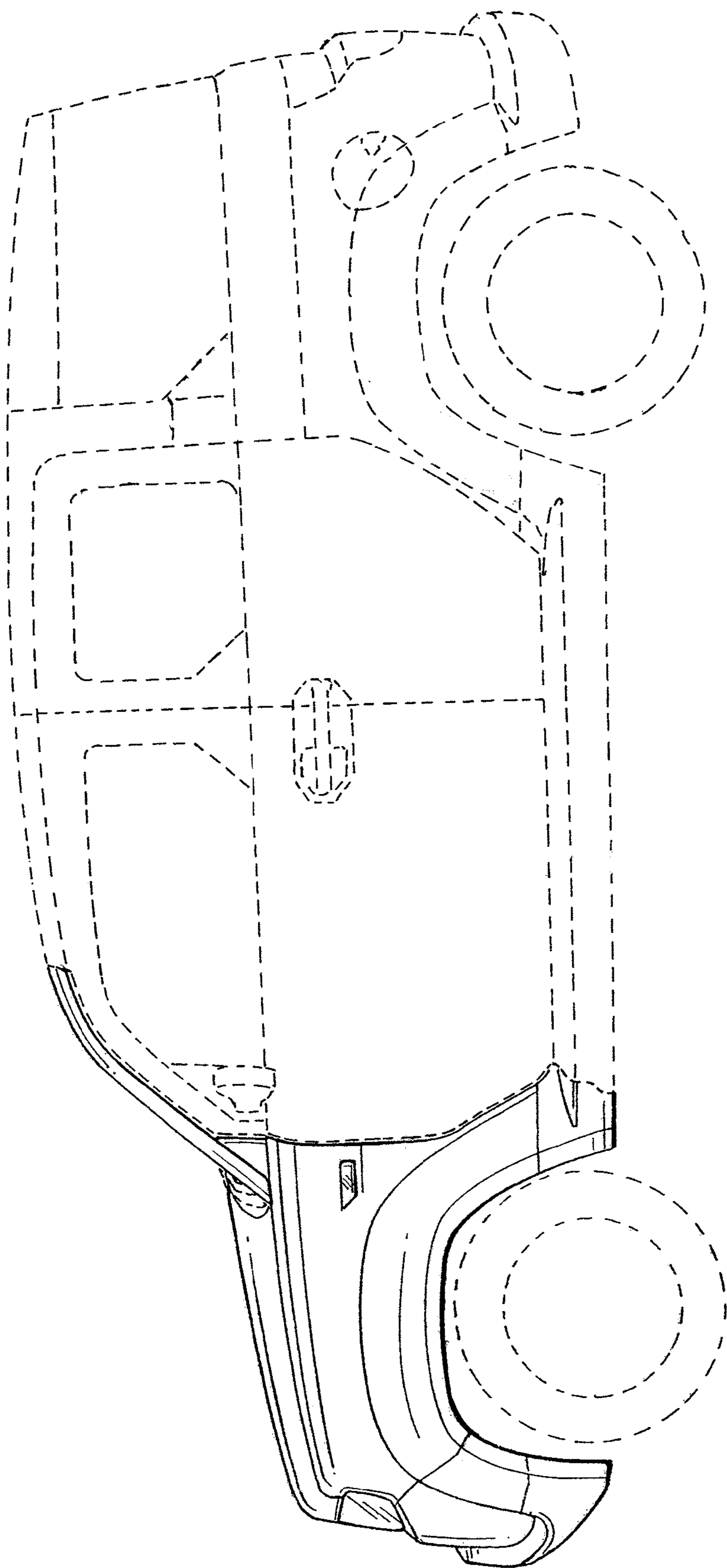


FIG. 5

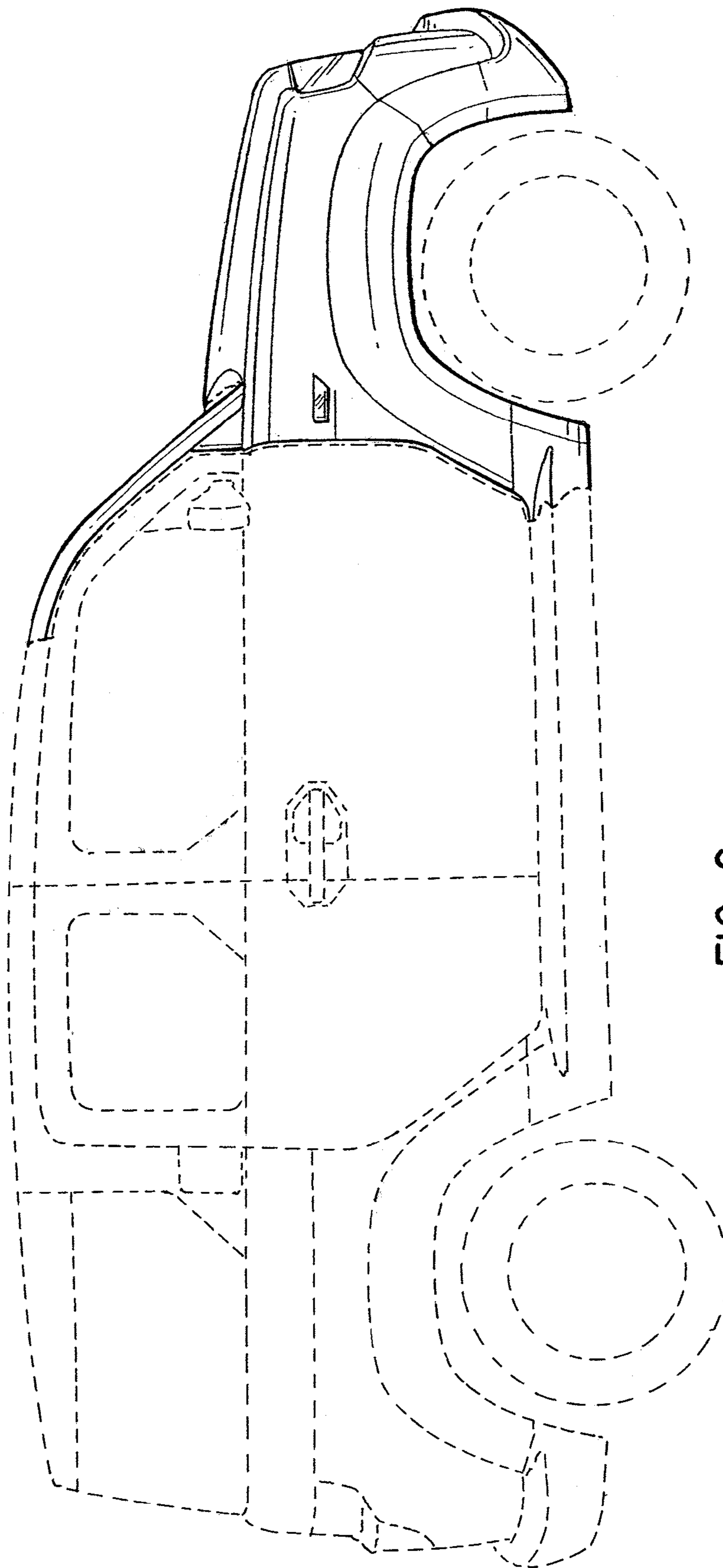


FIG. 6

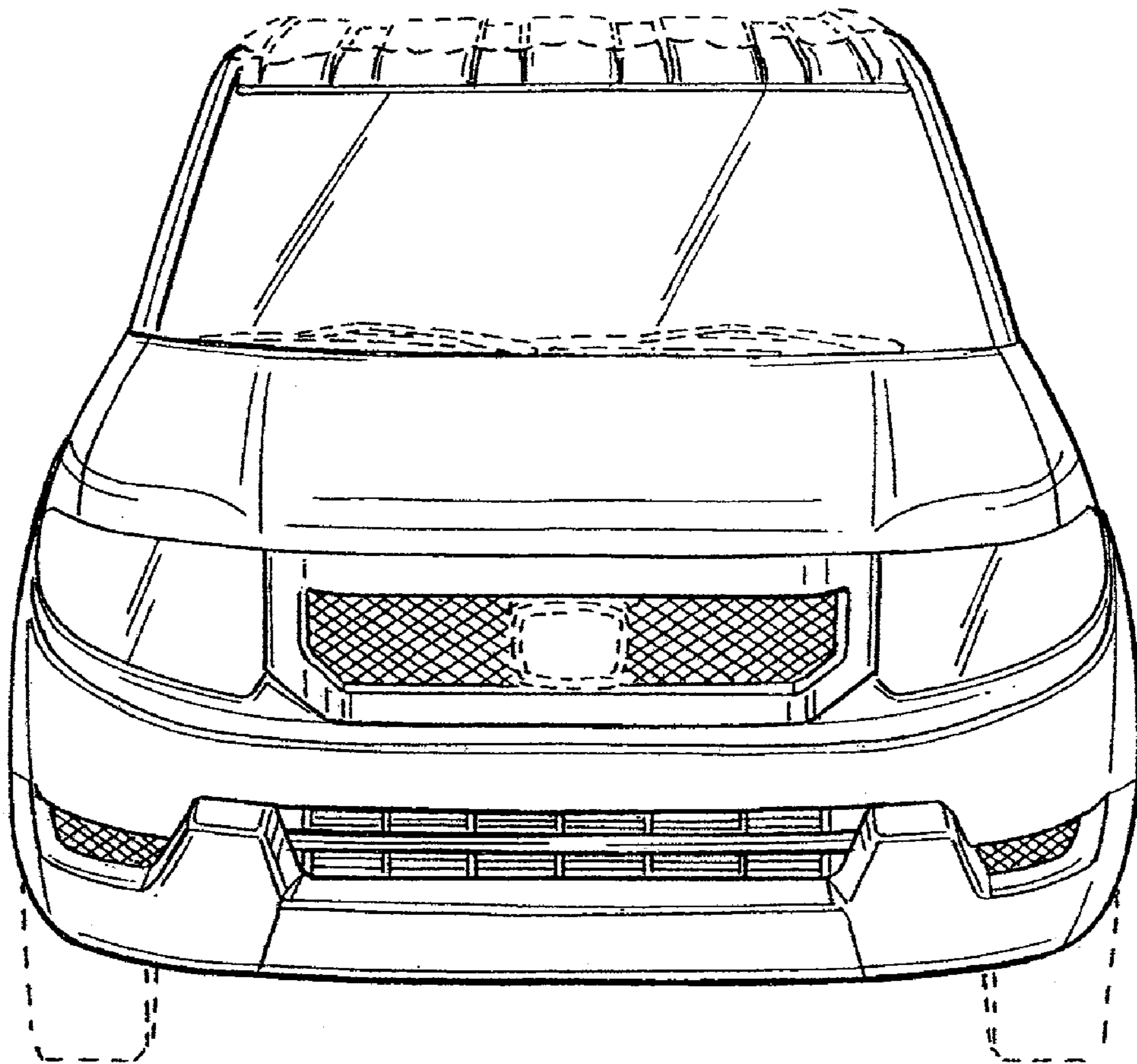


FIG. 7