



US00D603304S

(12) **United States Design Patent**
Lamm

(10) **Patent No.:** **US D603,304 S**

(45) **Date of Patent:** **** Nov. 3, 2009**

(54) **VEHICLE LOWER GRILLE**

(57) **CLAIM**

(75) Inventor: **Stefan Lamm**, Köln (DE)

The ornamental design for a vehicle lower grille, as shown and described.

(73) Assignee: **Ford Global Technologies, LLC**, Dearborn, MI (US)

DESCRIPTION

(**) Term: **14 Years**

FIG. 1 is a front elevational view of a vehicle lower grille showing my new design;

(21) Appl. No.: **29/330,145**

FIG. 2 is a right side elevational view of the vehicle lower grille;

(22) Filed: **Dec. 30, 2008**

FIG. 3 is a left side elevational view of the vehicle lower grille;

(51) **LOC (9) Cl.** **12-16**

(52) **U.S. Cl.** **D12/163**

(58) **Field of Classification Search** D12/163,
D12/196, 171, 169, 216, 90-92, 86; 180/68.1,
180/68.6; 296/193.11

FIG. 4 is a top plan view of the vehicle lower grille;

FIG. 5 is a bottom plan view of the vehicle lower grille;

FIG. 6 is a rear elevational view of the vehicle lower grille; and,

See application file for complete search history.

FIG. 7 is a top, front and left side perspective view of the vehicle lower grille.

(56) **References Cited**

U.S. PATENT DOCUMENTS

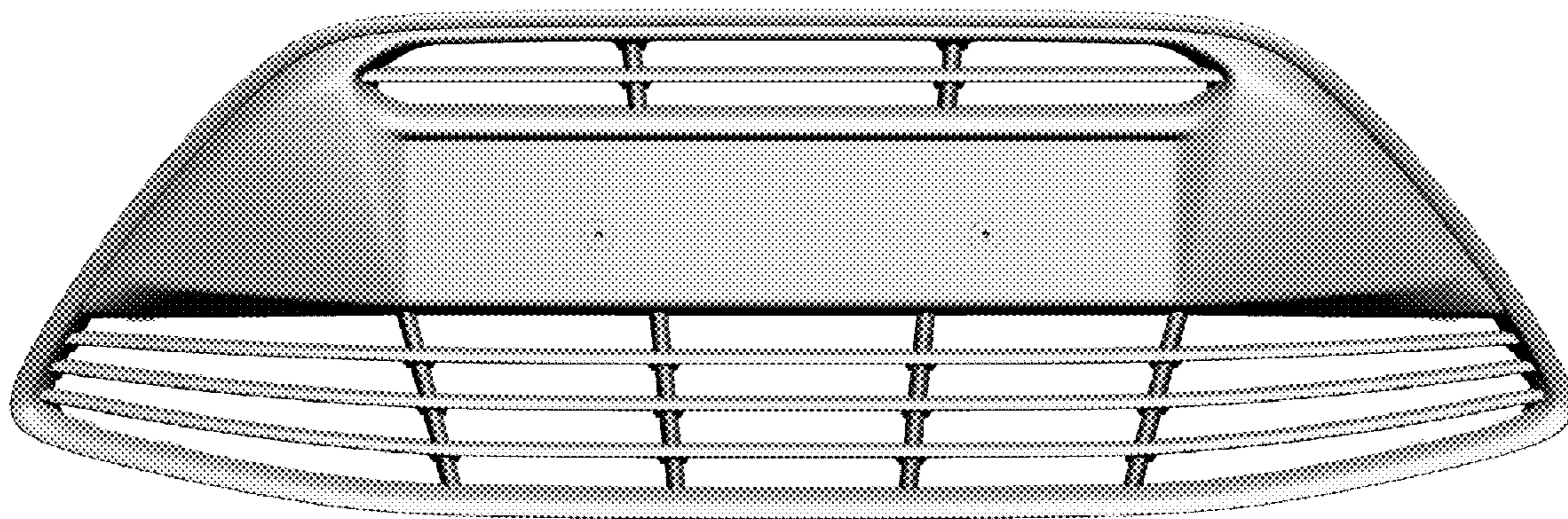
D510,302 S	*	10/2005	Sugimoto	D12/163
D518,422 S	*	4/2006	Nakamura	D12/163
D555,550 S	*	11/2007	Schiavone et al.	D12/163
D561,068 S	*	2/2008	Golden et al.	D12/163
D575,686 S	*	8/2008	Fukui et al.	D12/163
D589,856 S	*	4/2009	Woolley et al.	D12/163
D591,210 S	*	4/2009	Woolley et al.	D12/163

The vehicle lower grille is styled independently of adjacent vehicle panels. To the extent that any feature lines are illustrated, they are intended to illustrate the crest and valley of the feature and are not necessarily sharp bends in the part. Shading is used to illustrate the curvature of the part and not color. Areas shown in or sounded by broken lines are not claimed. The surface normally visible when the vehicle lower grille is attached to a vehicle is called the "Class A" surface is claimed. The surface not normally visible when the vehicle lower grille is attached to a vehicle is called the "Class B" surface and is not claimed. Any functional features of the vehicle lower grille are not claimed. Views are orthogonal projections unless otherwise noted. The various views are not necessarily to scale in order to better illustrate the design. The drawings were generated using Computer Aided Design tools. Highlights and shading were added to the drawings to better illustrate the three-dimensional features of the part.

* cited by examiner

Primary Examiner—Melody N Brown
(74) *Attorney, Agent, or Firm*—Damian Porcari

1 Claim, 5 Drawing Sheets



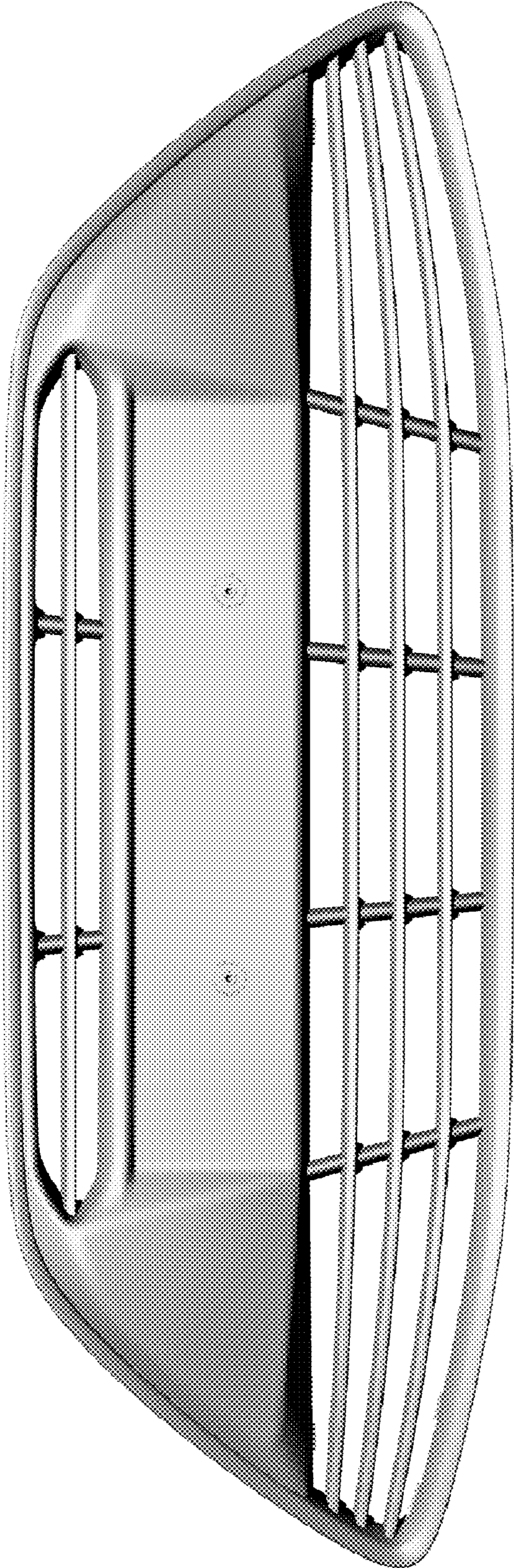


Figure 1

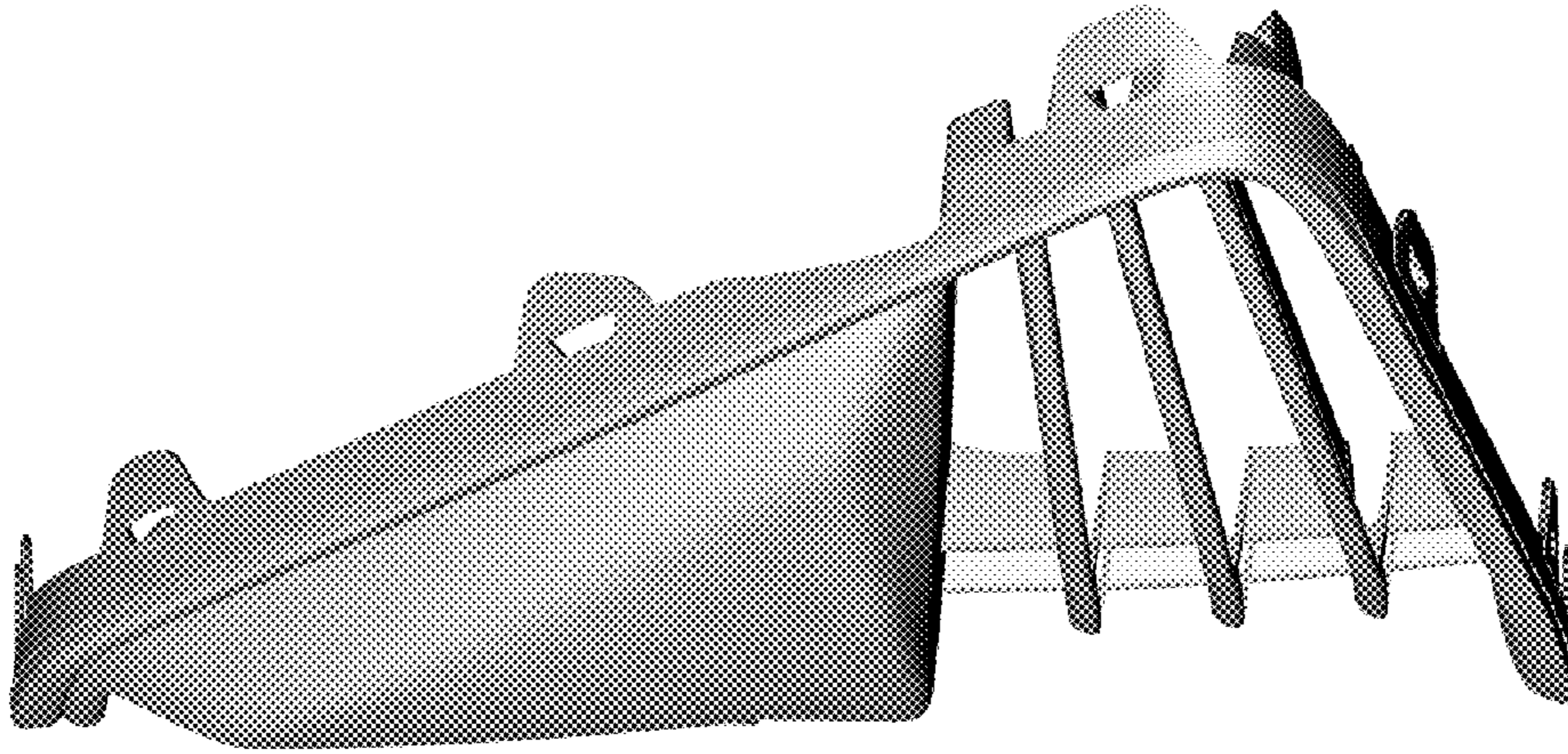


Figure 3

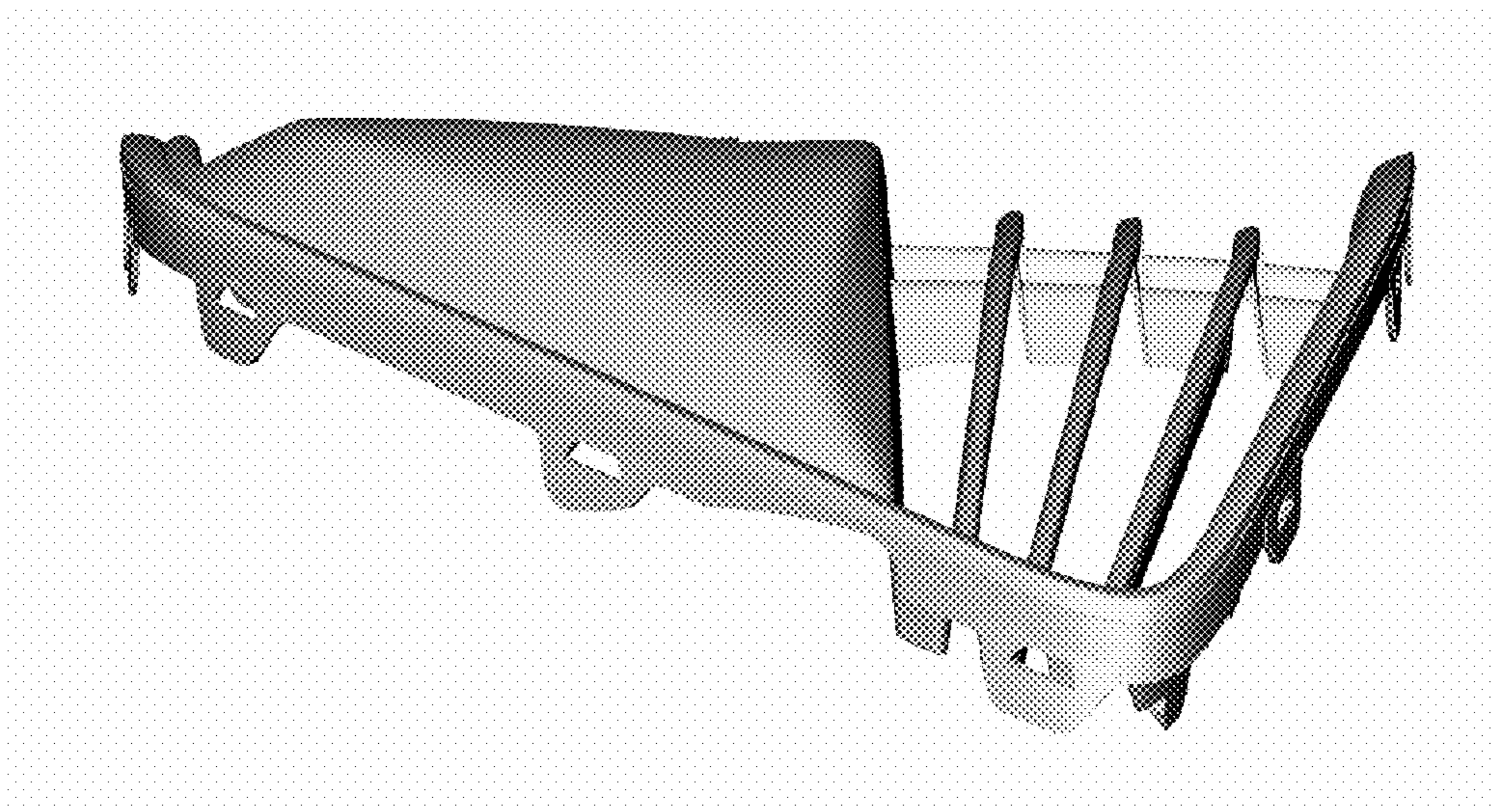


Figure 2

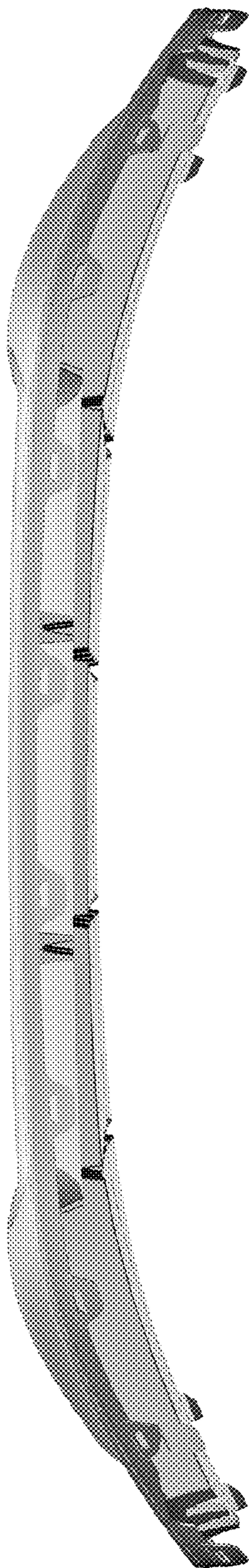


Figure 4

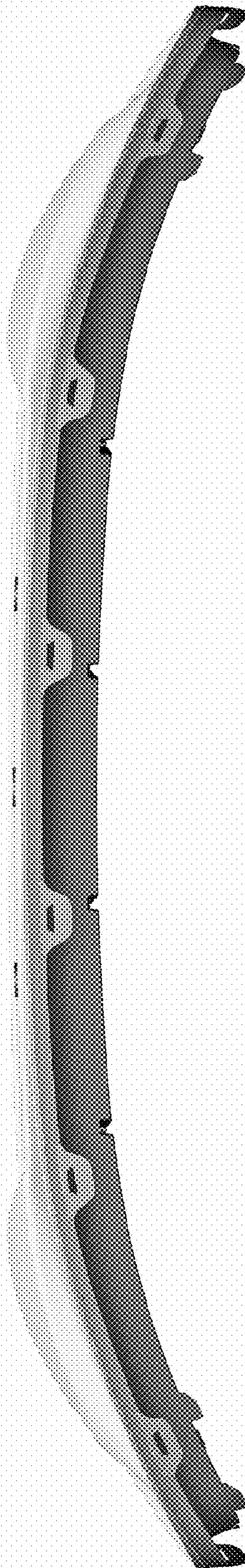


Figure 5

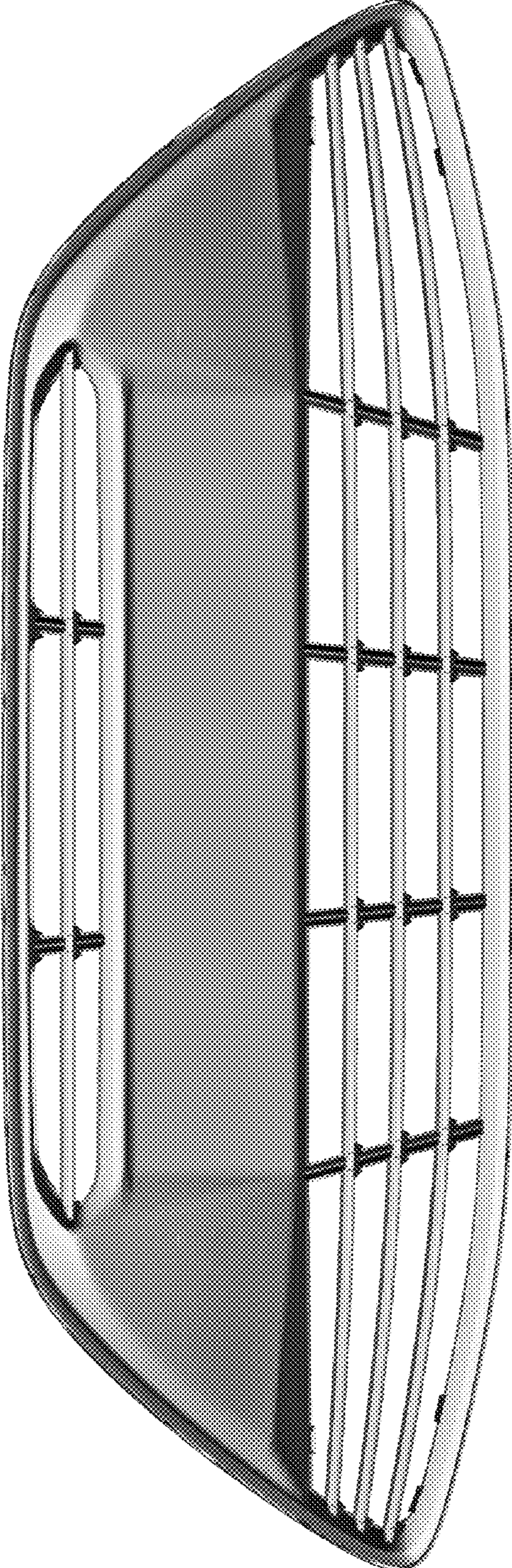


Figure 6



Figure 7