



US00D603302S

(12) **United States Design Patent**
Willis

(10) **Patent No.:** **US D603,302 S**
(45) **Date of Patent:** **** Nov. 3, 2009**

(54) **FRAME FOR SUPPORT DEVICE**

(76) Inventor: **Phillip Minyard Willis**, 3780 Mansell Rd., Suite T-50, Alpharetta, GA (US) 30022

(**) Term: **14 Years**

(21) Appl. No.: **29/308,801**

(22) Filed: **Jul. 8, 2008**

3,194,577 A	7/1965	Berlin
3,237,940 A	3/1966	Johnson
3,273,888 A	9/1966	Burns
3,354,893 A	11/1967	Schmerl
3,467,117 A	9/1969	Lucibello
3,516,425 A	6/1970	Rigal
3,759,544 A	9/1973	Korpela
3,778,052 A	12/1973	Andow et al.
RE28,067 E	7/1974	Hyman

(Continued)

Related U.S. Application Data

(63) Continuation-in-part of application No. 29/268,082, filed on Oct. 27, 2006, now Pat. No. Des. 572,632, which is a continuation-in-part of application No. 11/581,762, filed on Oct. 16, 2006, now abandoned, which is a continuation-in-part of application No. 11/343,299, filed on Jan. 31, 2006, now Pat. No. 7,540,527, which is a continuation-in-part of application No. 10/680,596, filed on Oct. 7, 2003, now Pat. No. 7,073,801.

(51) **LOC (9) Cl.** **12-12**

(52) **U.S. Cl.** **D12/133**

(58) **Field of Classification Search** D12/128-133;
D21/433; D34/12, 27, 30; 280/62, 647-650,
280/29, 200, 47.38, 250.1, 259, 642, 658;
296/65.03, 65.04; 297/DIG. 4; 135/65-67,
135/74

See application file for complete search history.

(56) **References Cited**

U.S. PATENT DOCUMENTS

2,630,128 A	3/1953	Slater
2,685,325 A	8/1954	Webster
2,872,967 A	2/1959	Kirkpatrick
2,899,968 A	8/1959	Reichenbach
2,902,592 A	9/1959	Cole et al.
2,910,995 A	11/1959	Jacuzzi

FOREIGN PATENT DOCUMENTS

CA 2 517 117 A1 8/2005

(Continued)

Primary Examiner—Charles A Rademaker
Assistant Examiner—Charles D Hanson
(74) *Attorney, Agent, or Firm*—Malloy & Malloy, P.A.

(57) **CLAIM**

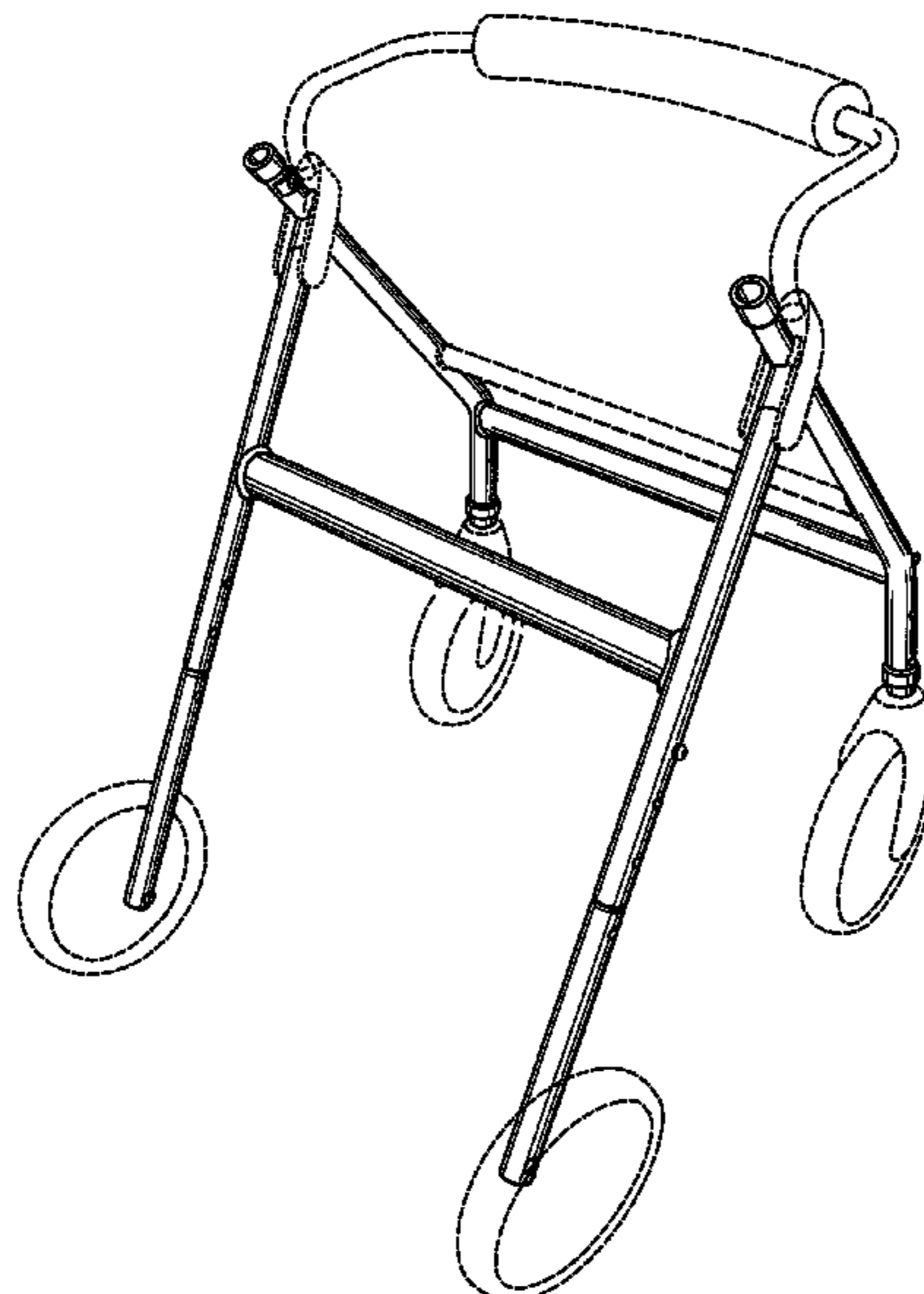
The ornamental design for a frame for support device, as shown and described.

DESCRIPTION

FIG. 1 is a front perspective view illustrating my design for a frame for support device;
FIG. 2 is a front view thereof;
FIG. 3 is a left side view thereof;
FIG. 4 is a top view thereof;
FIG. 5 is a right side view thereof;
FIG. 6 is a bottom view thereof; and,
FIG. 7 is a rear view thereof.

The broken lines shown in the figure drawings are included for the purpose of illustrating environment and form no part of the claimed design.

1 Claim, 7 Drawing Sheets



US D603,302 S

U.S. PATENT DOCUMENTS					
3,963,037 A	6/1976	Clark	5,603,517 A	2/1997	Lorman
4,018,440 A	4/1977	Deutsch	5,605,345 A	2/1997	Erfurth et al.
4,046,374 A	9/1977	Breyley	5,647,602 A	7/1997	Nevin
4,056,115 A	11/1977	Thomas	5,664,460 A	9/1997	Hewson
4,159,110 A	6/1979	Dodenhoff	5,692,762 A	12/1997	Obitts
4,164,354 A	8/1979	Rodaway	5,702,326 A	12/1997	Renteria
4,187,869 A	2/1980	Marchetti	5,716,063 A *	2/1998	Doyle et al. 280/87.05
4,211,309 A	7/1980	Ruggiero	5,743,545 A	4/1998	Kunze et al.
4,211,426 A	7/1980	Motloch	5,772,234 A	6/1998	Luo
4,251,105 A	2/1981	Barker	5,845,664 A	12/1998	Ryder et al.
4,277,100 A	7/1981	Beougher	5,865,065 A	2/1999	Chiu
4,341,381 A	7/1982	Norberg	5,865,457 A	2/1999	Knabusch et al.
4,342,465 A	8/1982	Stillings	5,878,625 A *	3/1999	Hu 74/502.2
4,384,713 A	5/1983	Deutsch et al.	5,896,779 A	4/1999	Biersteker et al.
4,387,891 A	6/1983	Knochel	6,085,766 A	7/2000	Geary
4,411,283 A	10/1983	Lucarelli	6,311,708 B1	11/2001	Howle
4,449,732 A	5/1984	Surot	6,338,493 B1	1/2002	Wohlgemuth et al.
4,461,471 A	7/1984	Brastow	6,374,841 B1	4/2002	Yamamoto et al.
4,510,956 A	4/1985	King	6,378,883 B1 *	4/2002	Epstein 280/250.1
4,518,002 A	5/1985	Battiston, Sr. et al.	6,446,990 B1 *	9/2002	Nania et al. 280/47.371
4,640,301 A	2/1987	Battiston, Sr. et al.	6,494,469 B1	12/2002	Hara et al.
4,648,619 A	3/1987	Jungnell et al.	6,516,821 B1	2/2003	Uemura
D289,507 S	4/1987	Danielsson	D481,336 S *	10/2003	Wu D12/130
D291,791 S	9/1987	Bean	6,659,478 B2	12/2003	Hallgrimsson et al.
4,700,730 A *	10/1987	Samuelson et al. 135/67	6,688,633 B2	2/2004	van't Schip
D293,663 S	1/1988	Erfurth	6,695,324 B1	2/2004	Wu
4,730,842 A	3/1988	Summers et al.	6,729,342 B2	5/2004	Serhan
4,765,355 A	8/1988	Kent	6,834,660 B1	12/2004	Van Wart, Jr.
4,805,931 A	2/1989	Slasor	6,837,503 B2	1/2005	Chen et al.
4,809,725 A	3/1989	Champigny	6,854,754 B1	2/2005	Easley, Jr.
4,869,280 A	9/1989	Ewing	6,863,296 B2	3/2005	Yoshie et al.
4,907,794 A	3/1990	Rose	6,877,519 B2	4/2005	Fink
4,932,090 A	6/1990	Johansson	6,886,575 B2	5/2005	Diamond
D310,646 S	9/1990	Rose	6,913,279 B1 *	7/2005	Opalka et al. 280/642
4,962,781 A	10/1990	Kanbar	7,011,335 B2	3/2006	Kight
D312,061 S	11/1990	Smith	7,040,637 B2	5/2006	Owens et al.
4,989,890 A	2/1991	Lockard et al.	7,052,030 B2 *	5/2006	Serhan 280/304.1
5,011,104 A	4/1991	Fang	7,066,484 B2	6/2006	Willis et al.
5,020,560 A	6/1991	Turbeville	7,073,801 B2	7/2006	Sanders et al.
5,046,748 A	9/1991	Oat-Judge	7,179,200 B1	2/2007	Wu
5,060,967 A	10/1991	Hulterstrum	7,246,821 B2	7/2007	Sato
5,072,958 A	12/1991	Young	D572,632 S *	7/2008	Willis D12/130
5,074,574 A	12/1991	Carwin	7,451,992 B2	11/2008	Willis
5,133,377 A	7/1992	Truxillo	7,540,527 B2	6/2009	Willis
5,139,040 A	8/1992	Kelly	2003/0047203 A1	3/2003	Lah
D329,833 S	9/1992	Andersson et al.	2003/0189311 A1	10/2003	Chen et al.
5,172,715 A	12/1992	Webb	2005/0211285 A1	9/2005	Cowie et al.
5,217,419 A	6/1993	Harwood	2006/0254632 A1	11/2006	Willis
5,244,225 A	9/1993	Frycek	2006/0254633 A1	11/2006	Willis
5,261,682 A	11/1993	Chuang	2007/0018426 A1	1/2007	Willis
5,301,970 A	4/1994	Haskins	2007/0096436 A1	5/2007	Willis
5,320,122 A	6/1994	Jacobson, II et al.	2007/0152416 A1	7/2007	Willis
5,348,336 A	9/1994	Fernie et al.	2008/0041432 A1	2/2008	Willis
5,364,120 A	11/1994	Shimansky	2008/0093826 A1	4/2008	Willis
5,380,262 A	1/1995	Austin	2008/0111349 A1	5/2008	Willis
5,409,028 A	4/1995	Lee	2008/0129016 A1	6/2008	Willis
5,417,472 A	5/1995	Elvinsson	2008/0252043 A1	10/2008	Willis
5,419,571 A	5/1995	Vaughan			
D360,174 S	7/1995	Kjell et al.			
5,451,193 A	9/1995	Pickard			
5,482,070 A	1/1996	Kelly			
D367,833 S *	3/1996	Ahlbertz D12/130			
5,558,358 A	9/1996	Johnson			
5,586,352 A	12/1996	O'Brien et al.			

FOREIGN PATENT DOCUMENTS

CN	1879585 A	12/2006
CN	101053462 A	10/2007
MX	PA/A/2005/009620	11/2006
MX	261611	10/2008
WO	WO 2008/103143 A1	8/2008

* cited by examiner

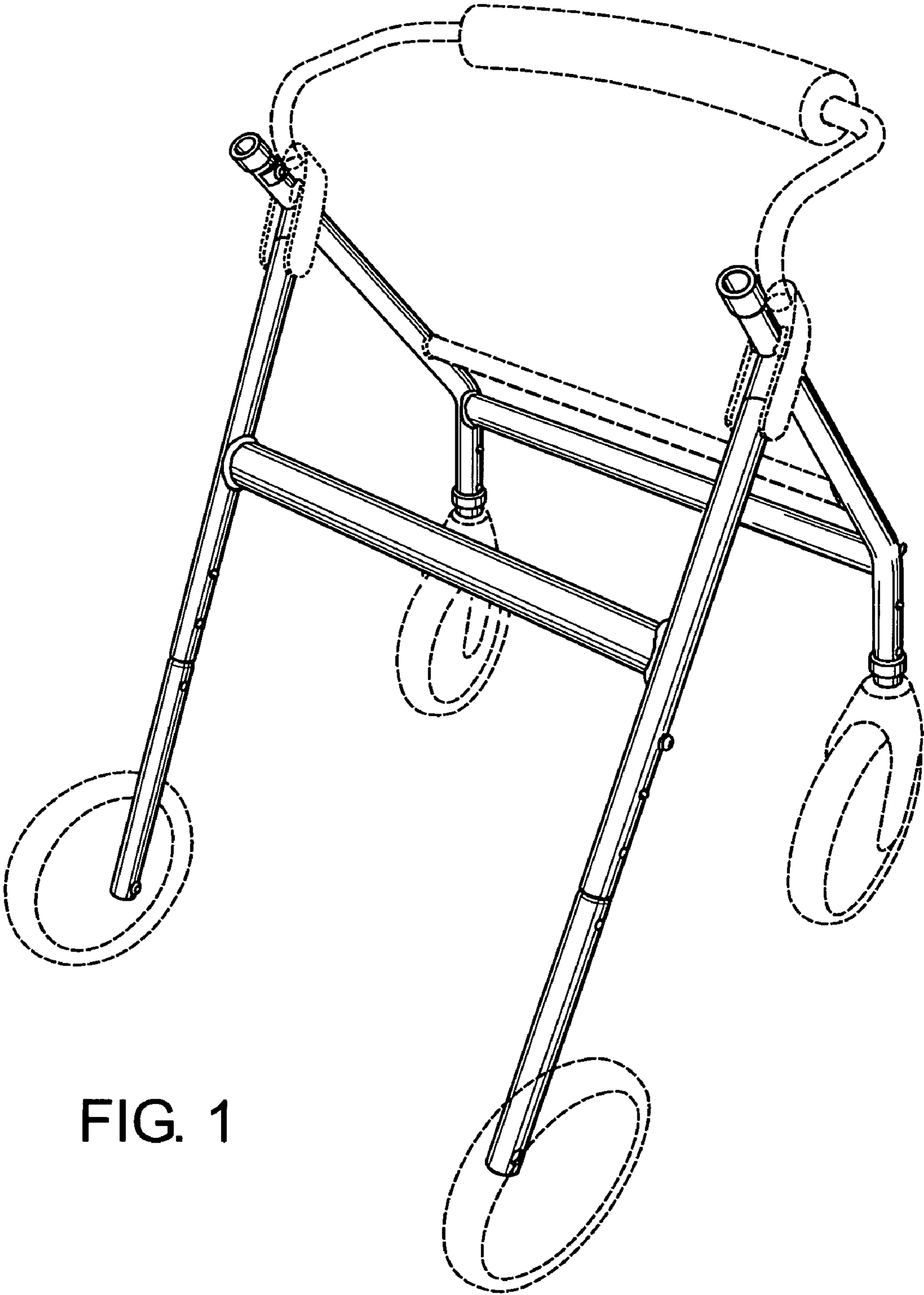


FIG. 1

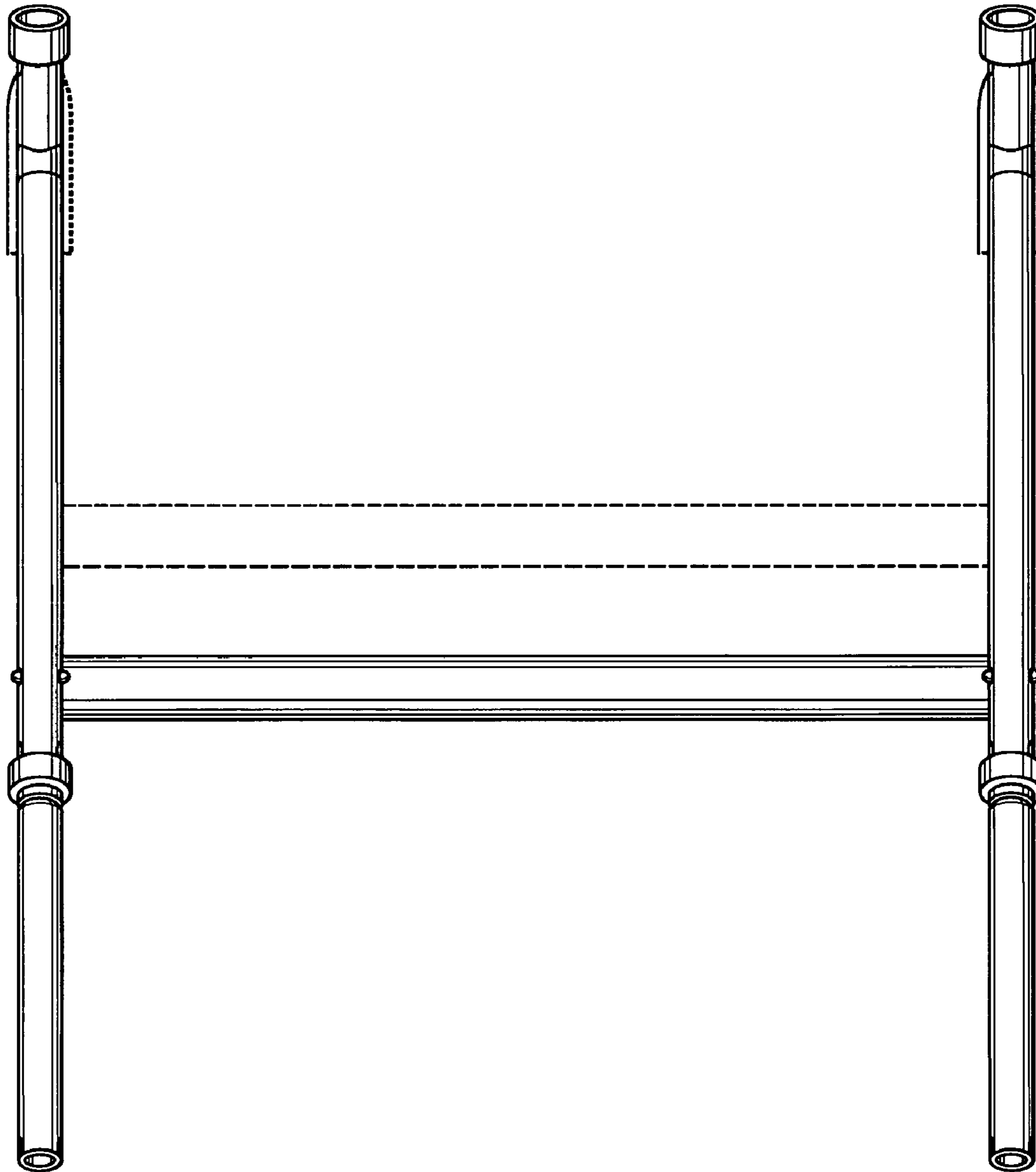


FIG. 2

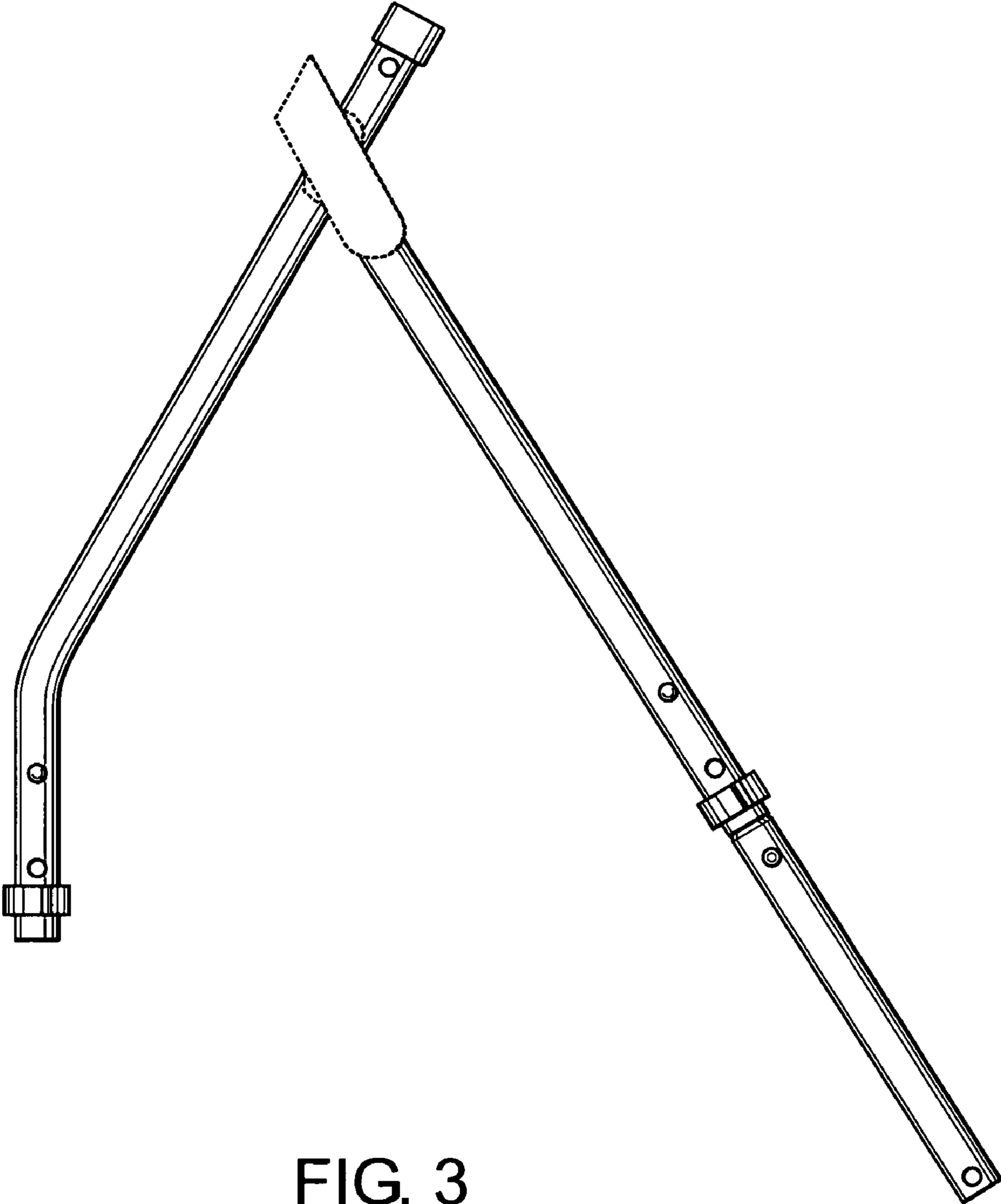


FIG. 3

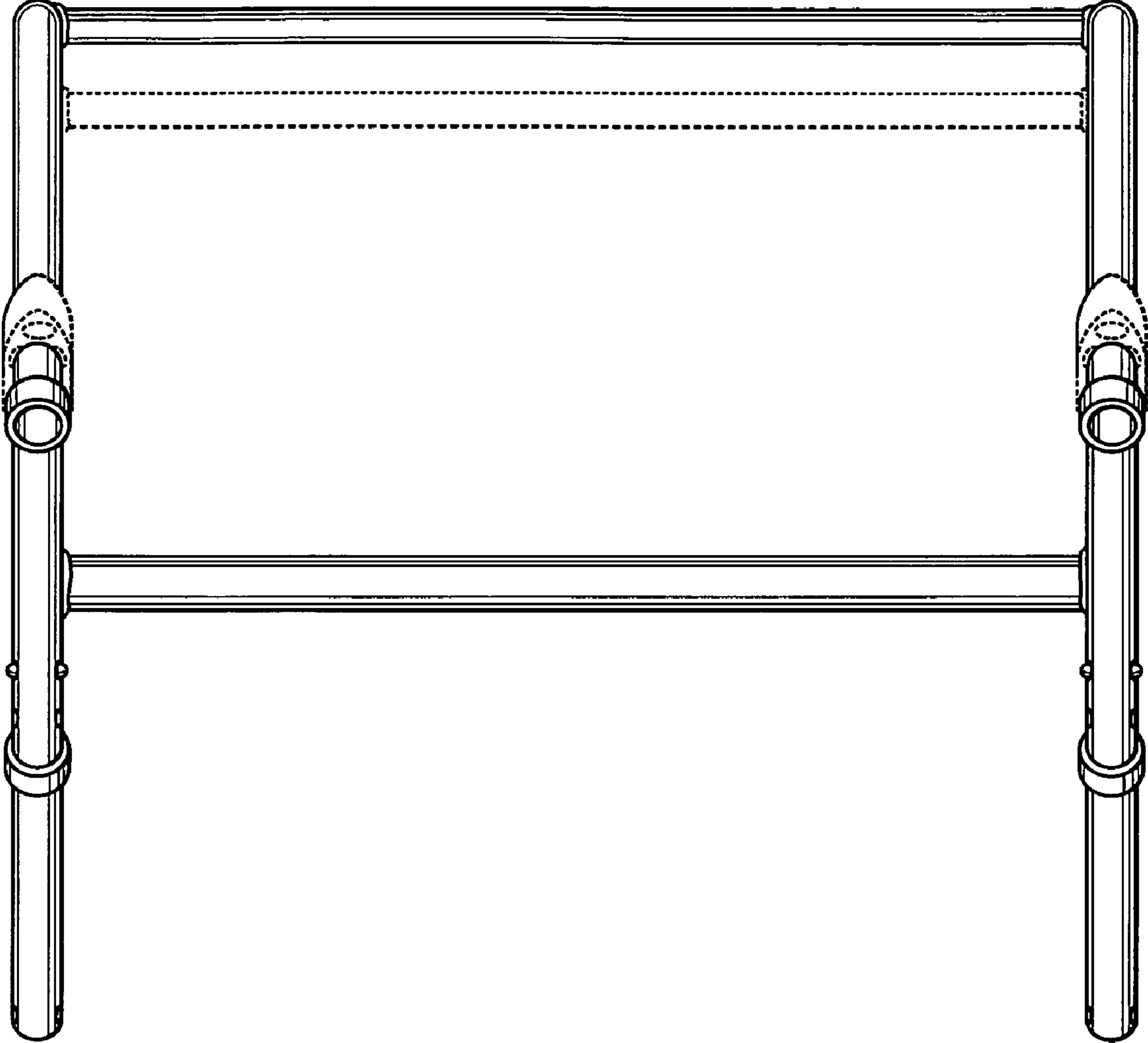


FIG. 4

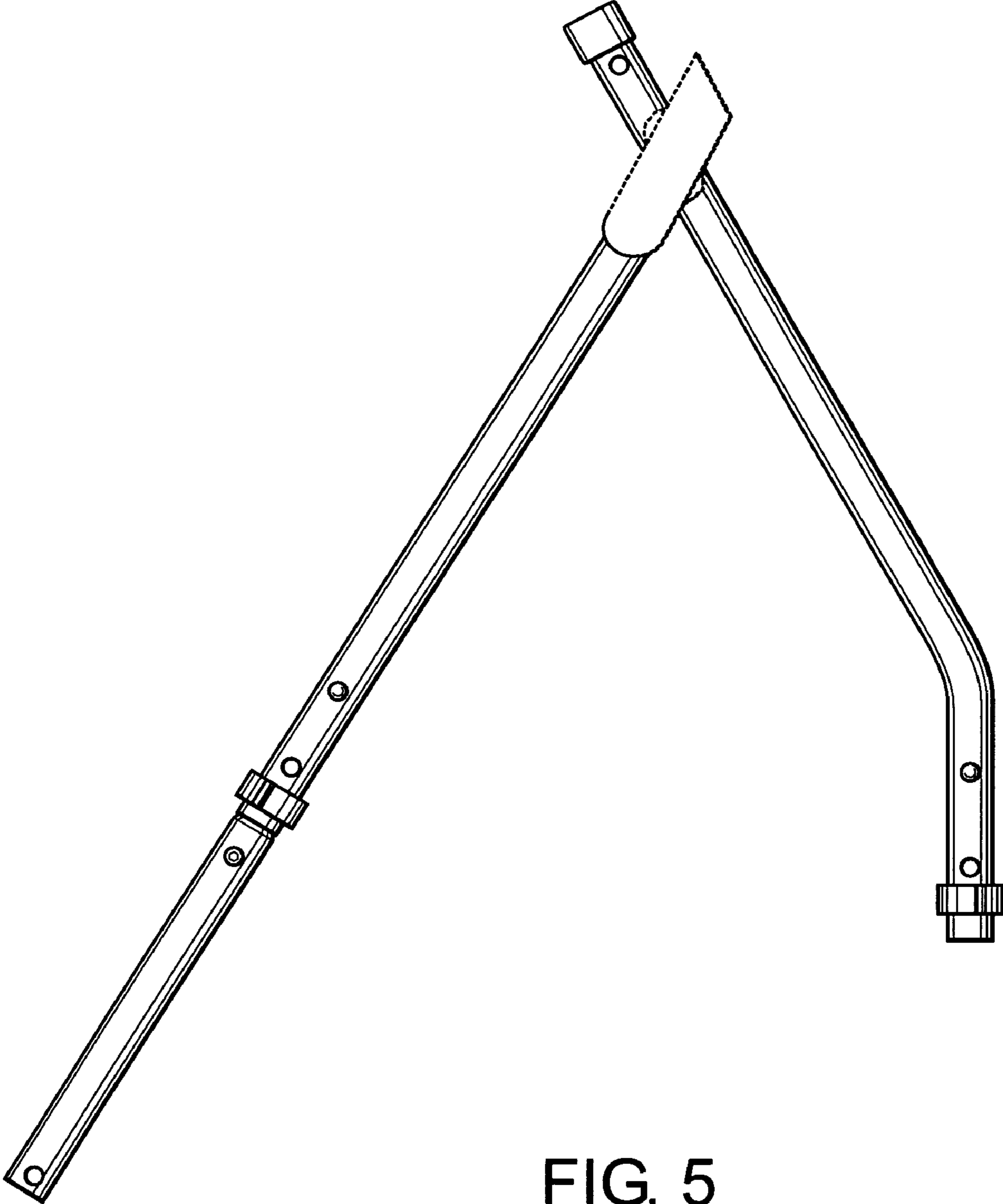


FIG. 5

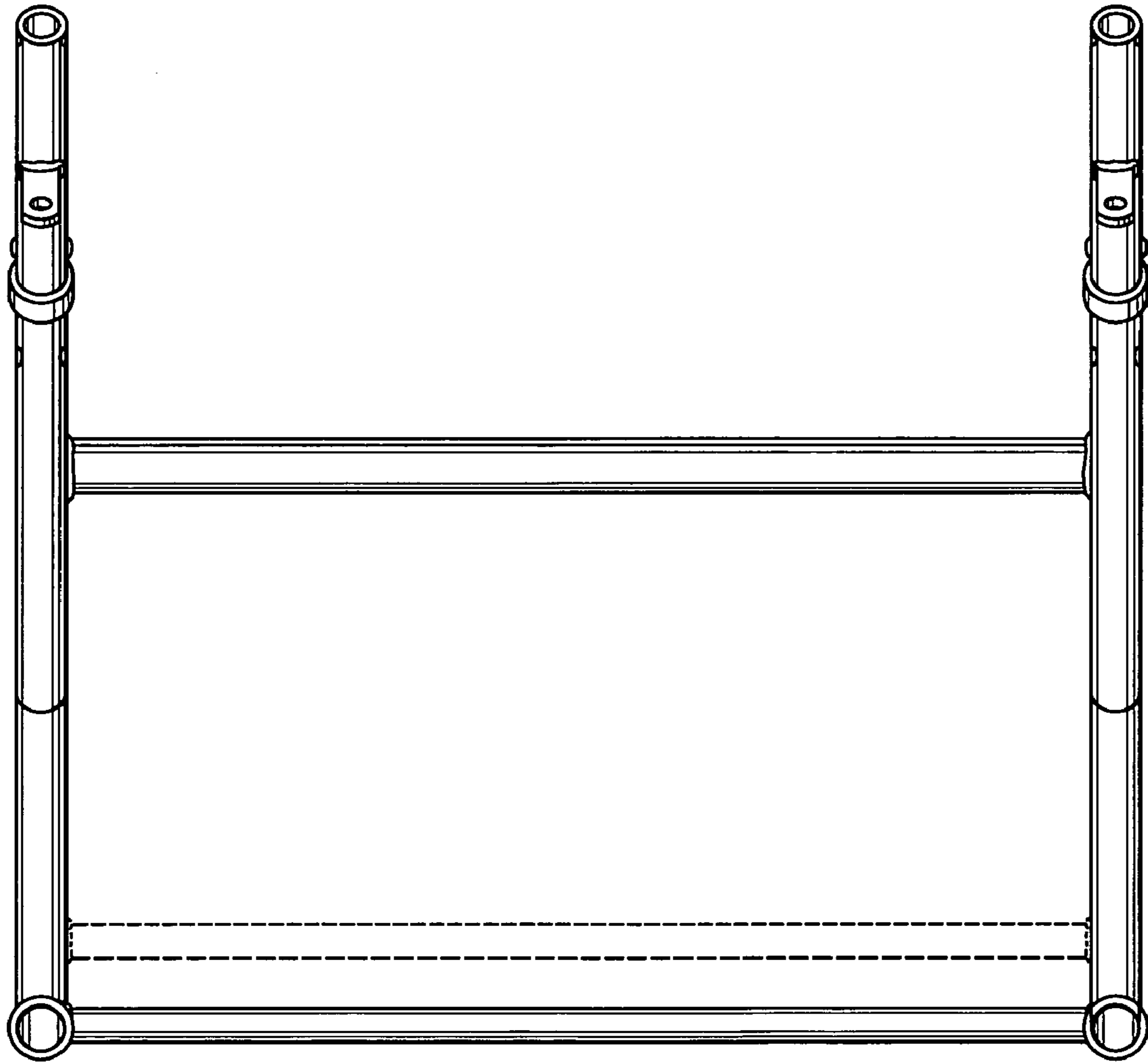


FIG. 6

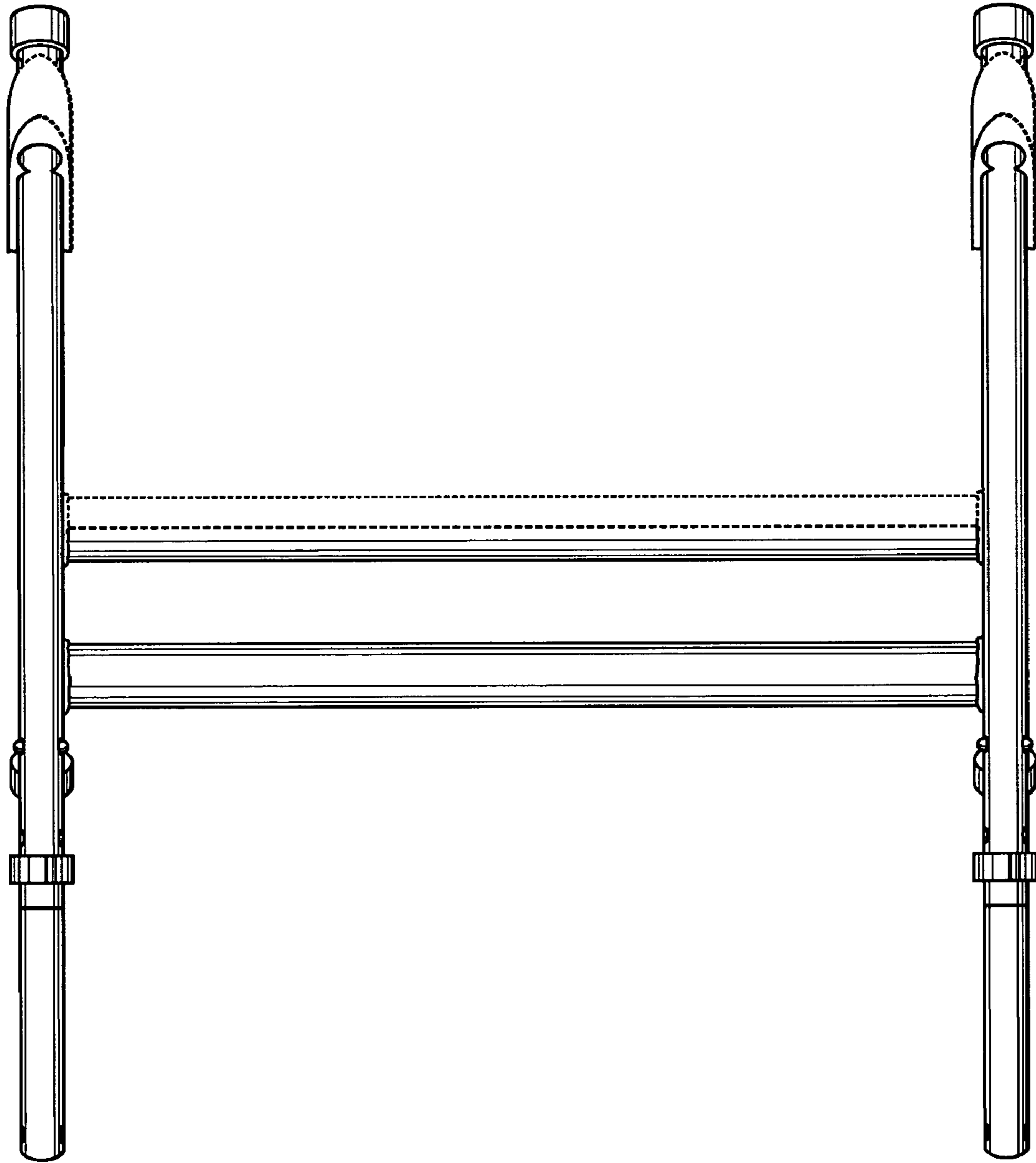


FIG. 7