



US00D603301S

(12) **United States Design Patent**
Evans

(10) **Patent No.:** **US D603,301 S**
(45) **Date of Patent:** **** Nov. 3, 2009**

(54) **MOTORCYCLE AXLE STRAP**

GB 2226075 A * 6/1990 248/62

(76) Inventor: **Terry L. Evans**, 2093 Wall St., Rahway,
NJ (US) 07065

* cited by examiner

(**) Term: **14 Years**

Primary Examiner—Robin V Webster

Assistant Examiner—Linda G. Brooks

(21) Appl. No.: **29/312,647**

(74) *Attorney, Agent, or Firm*—Arthur M. Peslak, Esq.;
Mandel & Peslak, LLC

(22) Filed: **Nov. 4, 2008**

(57) **CLAIM**

(51) **LOC (9) Cl.** **12-11**

The ornamental design for a motorcycle axle strap, as shown
and described.

(52) **U.S. Cl.** **D12/114**

(58) **Field of Classification Search** D12/110,
D12/114, 160, 213, 223, 126; 280/495-515,
280/147, 149, 149.1, 49.2, 788, 124.1, 124.169,
280/279, 508; 180/905, 906, 209, 219; 301/1,
301/6.1, 6.8, 110.5, 124.1, 125; D8/371,
D8/373, 396; 24/114.5, 17 A, 17 AP, 302,
24/16 PB, 30.5 P, 129 B, 171, 16 R, 20 EE,
24/584.1, 616; 40/665, 637, 305, 299.01,
40/367; D9/434, 499

See application file for complete search history.

DESCRIPTION

FIG. 1 illustrates a perspective view of the present invention.

FIG. 2 illustrates a perspective view of the present invention
in folded condition.

FIG. 3 is a front view of the present invention.

FIG. 4 is a rear view of the present invention.

FIG. 5 is a side view of the present invention.

FIG. 6 is a side view of the present invention.

FIG. 7 is a side view of the present invention.

FIG. 8 is a side view of the present invention; and,

FIG. 9 is a perspective view of the present invention installed
on a motorcycle axle, which is shown in broken lines to
illustrate the environment of the claimed design and forms no
part thereof.

(56) **References Cited**

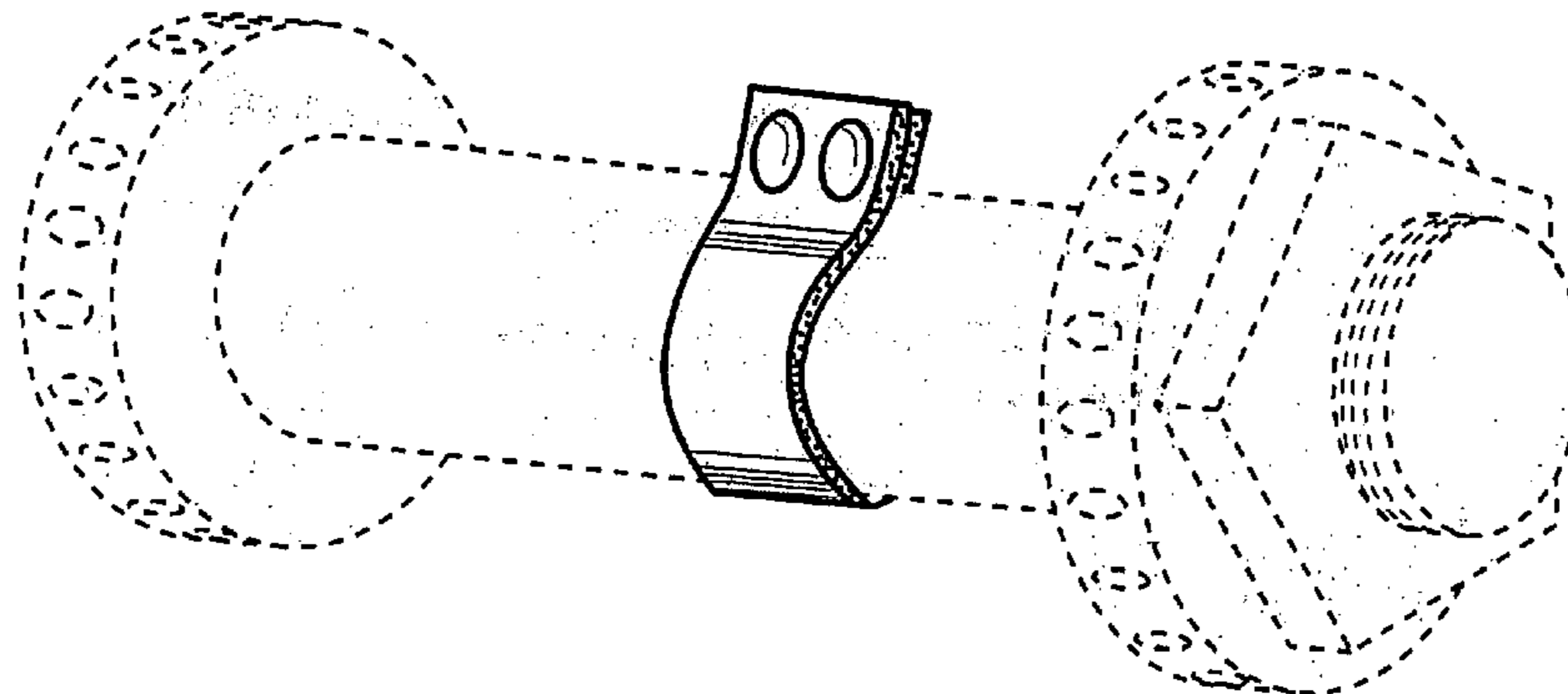
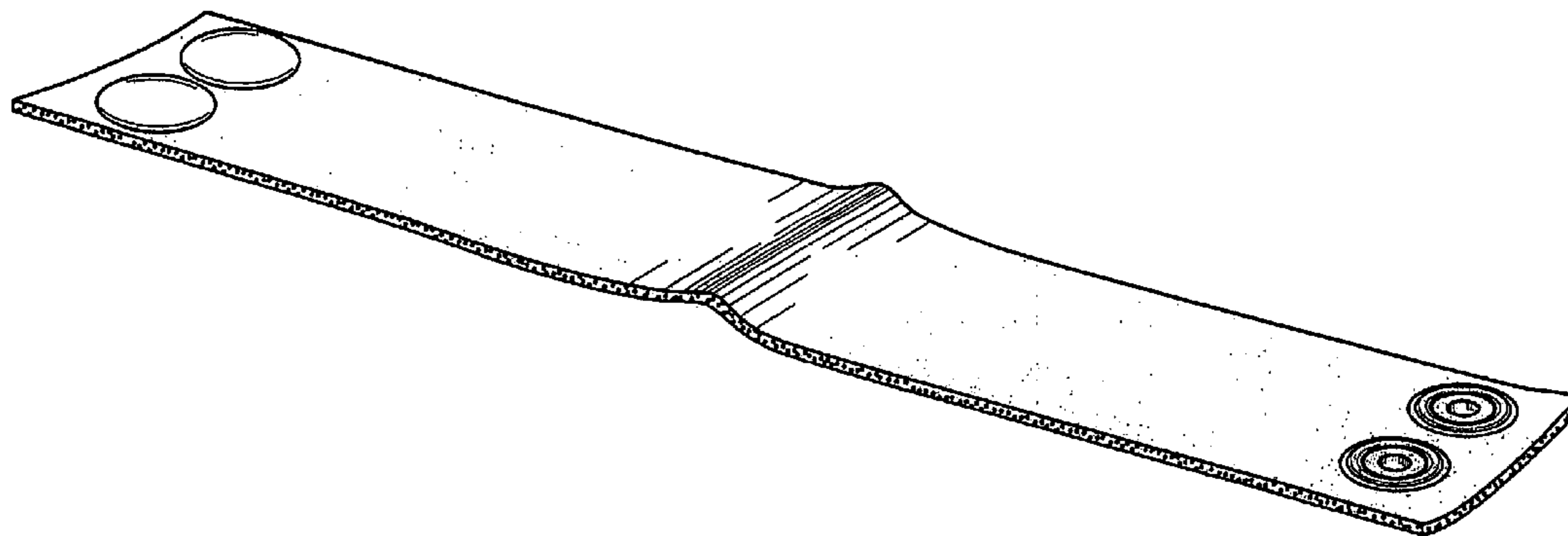
U.S. PATENT DOCUMENTS

4,688,823 A * 8/1987 Hanses 280/759
6,032,967 A * 3/2000 Ogoniek 280/124.175
D485,792 S * 1/2004 Whittington D12/126
7,258,304 B2 * 8/2007 Miener 244/129.1

FOREIGN PATENT DOCUMENTS

EP 683063 A1 * 11/1995 248/62

1 Claim, 4 Drawing Sheets



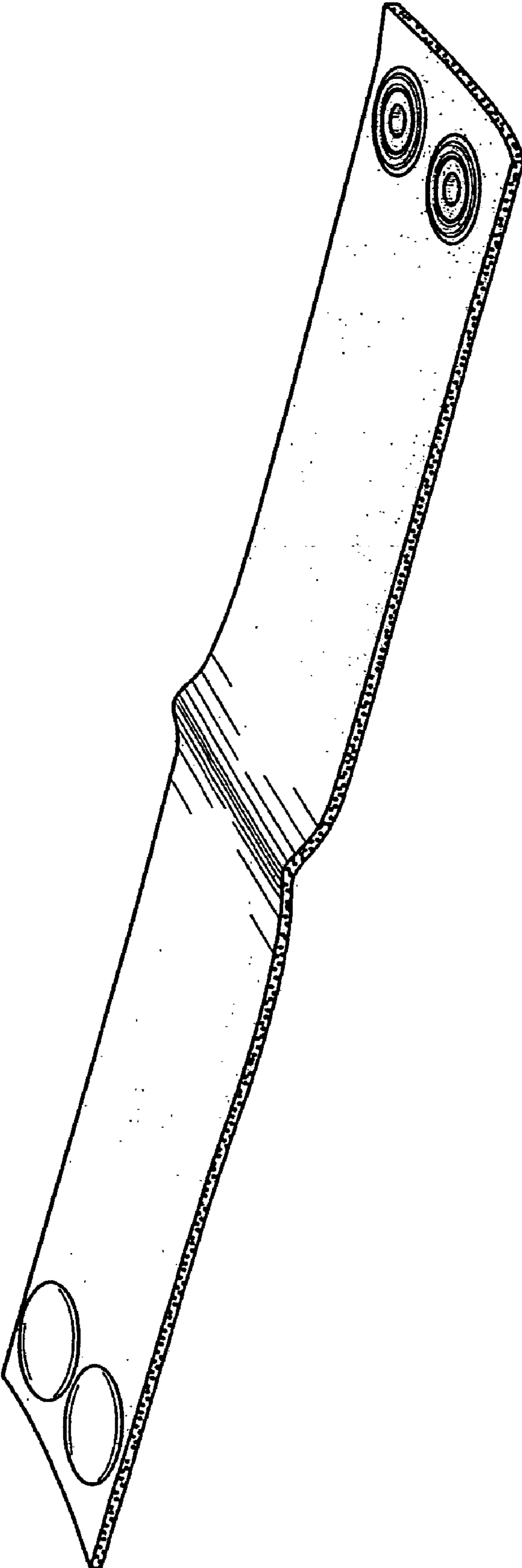


FIG. 1

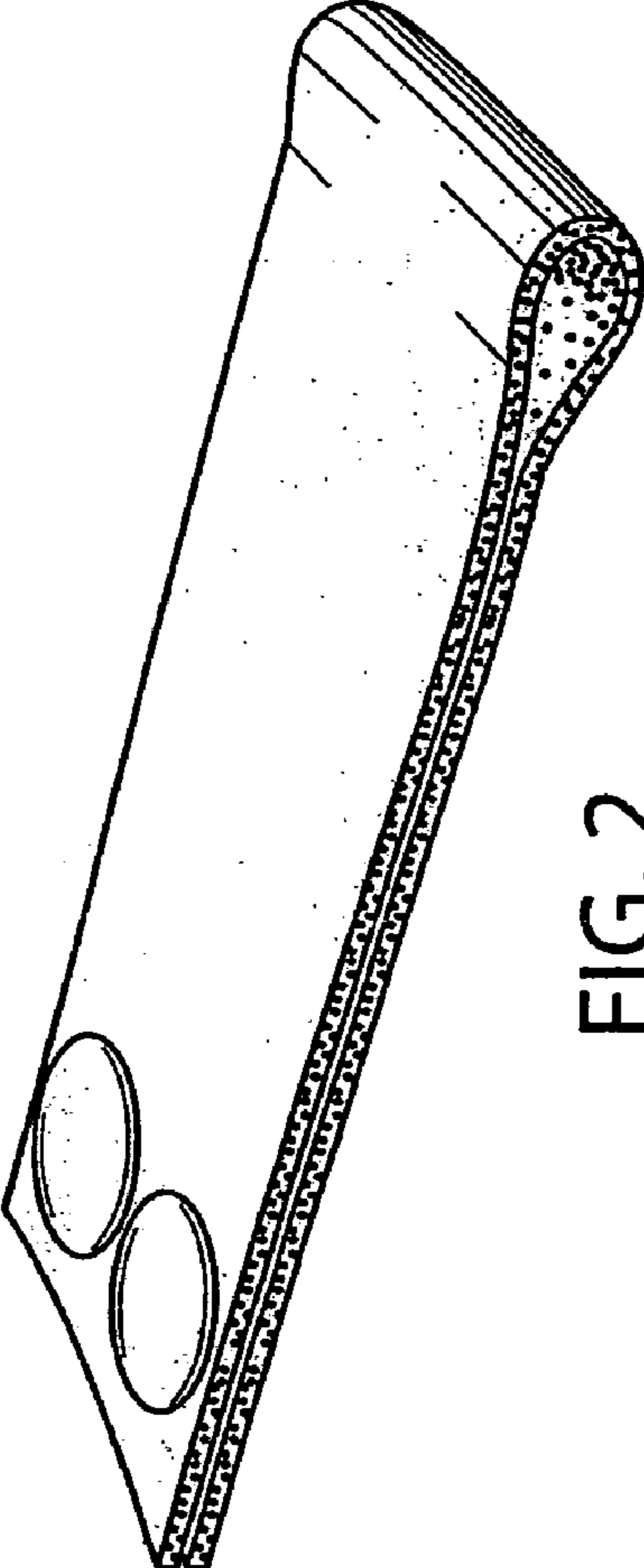


FIG. 2

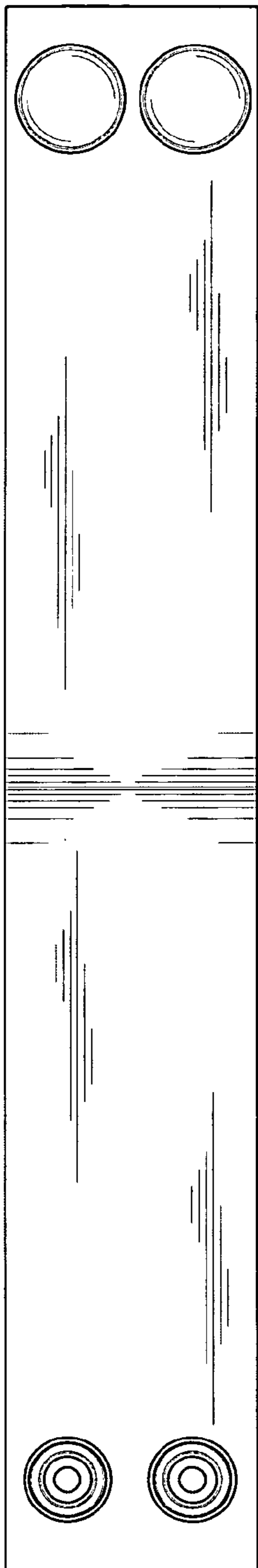


FIG. 3

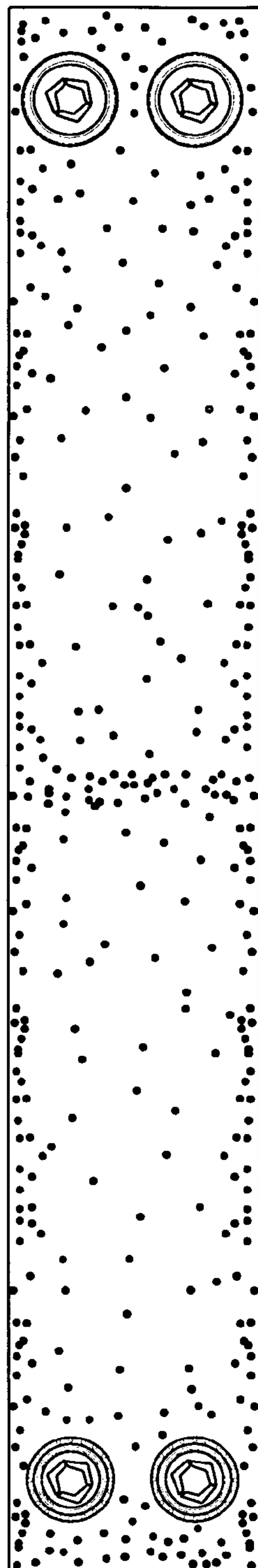


FIG. 4

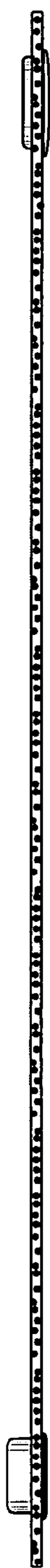


FIG. 5



FIG. 6



FIG. 7



FIG. 8

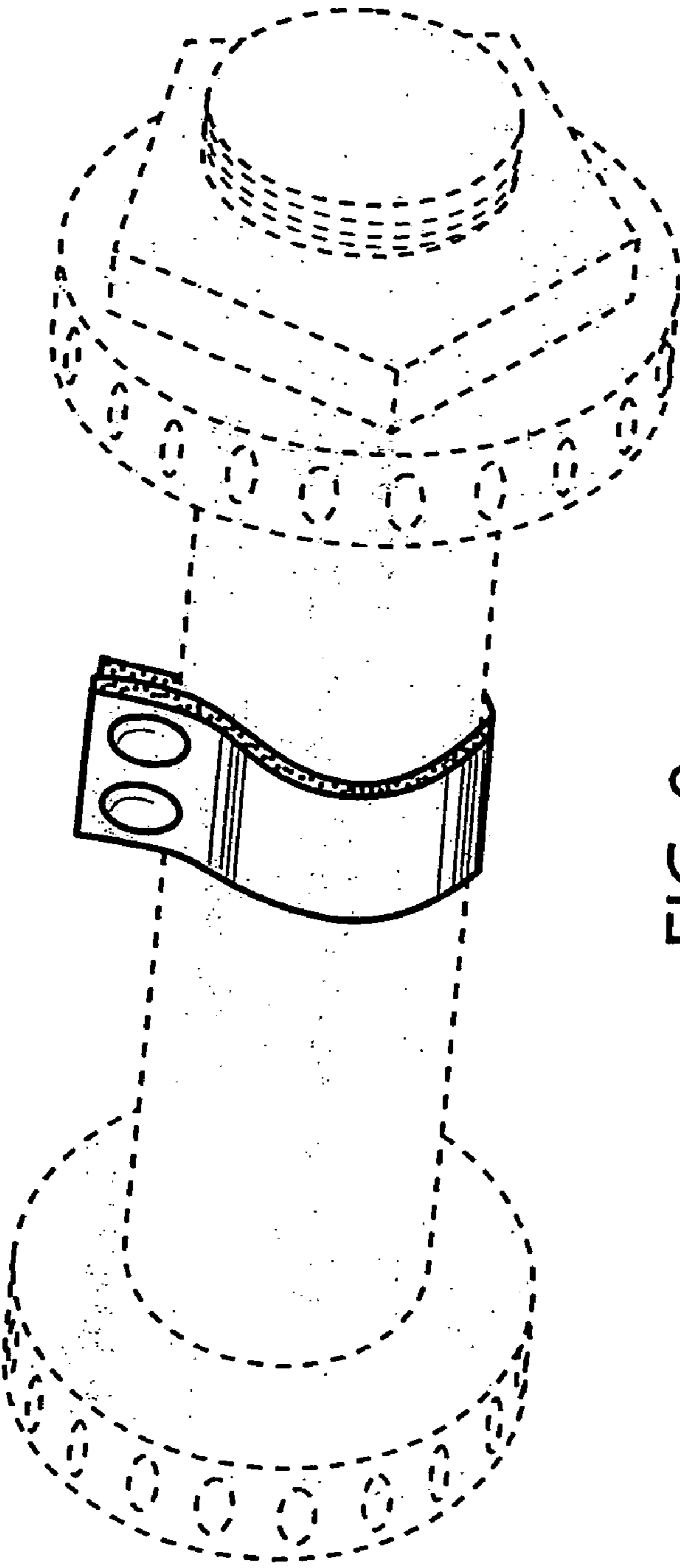


FIG. 9