



US00D603299S

(12) **United States Design Patent**
Prusmack

(10) **Patent No.:** **US D603,299 S**
(45) **Date of Patent:** **** Nov. 3, 2009**

(54) **RECREATIONAL TOWED VEHICLE
CAMPER**

DESCRIPTION

(75) Inventor: **A. Jon Prusmack**, Valley Cottage, NY
(US)

FIG. 1 is an isometric view of the first side of the exterior of a recreational towed vehicle camper showing a first side, top and front of my new design.

(73) Assignee: **DHS Systems LLC**, Orangeburg, NY
(US)

FIG. 2 is an isometric view of the first side of the exterior of the recreational towed vehicle camper showing the curbside, top and rear my new design.

(**) Term: **14 Years**

FIG. 3 is an isometric view of the second side of the exterior of the recreational towed vehicle camper showing the top and front my new design.

(21) Appl. No.: **29/294,604**

(22) Filed: **Jan. 16, 2008**

(51) **LOC (9) Cl.** **12-10**

(52) **U.S. Cl.** **D12/102**

(58) **Field of Classification Search** D12/101-104;
296/168, 156; 280/423-424, 475, 418.6,
280/656, 763.1

FIG. 4 is an isometric view of the first side of the exterior of the recreational towed vehicle camper showing the raised hood, storage area, front panels and first side of my new design.

See application file for complete search history.

FIG. 5 is an isometric view of the first side of the exterior of the recreational towed vehicle camper showing the first raised curbside gull wing door, storage space, raised rear door and tailgate of my new design;

(56) **References Cited**

U.S. PATENT DOCUMENTS

D299,629 S *	1/1989	Irelan	D12/102
D328,728 S *	8/1992	Shea, Sr.	D12/103
D340,430 S *	10/1993	Krah	D12/103
D354,023 S *	1/1995	Romesburg	D12/102
D389,785 S *	1/1998	Guzak	D12/102
D392,921 S *	3/1998	McCloud	D12/103
D411,144 S *	6/1999	Hamers	D12/102
D416,858 S *	11/1999	Domanski	D13/114
D458,190 S *	6/2002	LeDonne	D12/102
D507,208 S *	7/2005	Ulch	D12/102
7,000,978 B1 *	2/2006	Messano	296/181.6
D542,185 S *	5/2007	Remington	D12/103
D546,245 S *	7/2007	Heard	D12/102
D568,793 S *	5/2008	Oliver et al.	D12/103

FIG. 6 is an isometric view of the first side of the exterior of the recreational towed vehicle camper showing the raised curbside gull wing door, storage space with tray extending therefrom, raised rear door and tailgate of my new design.

FIG. 7 is an isometric view of the first side of the exterior of the recreational towed vehicle camper showing the first raised curbside gull wing door, storage space with tray extending therefrom, second curbside door second storage space, raised rear door and tailgate of my new design.

* cited by examiner

Primary Examiner—Elizabeth A Albert

Assistant Examiner—Kelley A Donnelly

(74) *Attorney, Agent, or Firm*—Thomas A. Beck, Esq.

FIG. 8 is an isometric view of the second side of the exterior of the recreational towed vehicle camper showing a raised bonnet, a front panel missing, and the raised rear door of my new design.

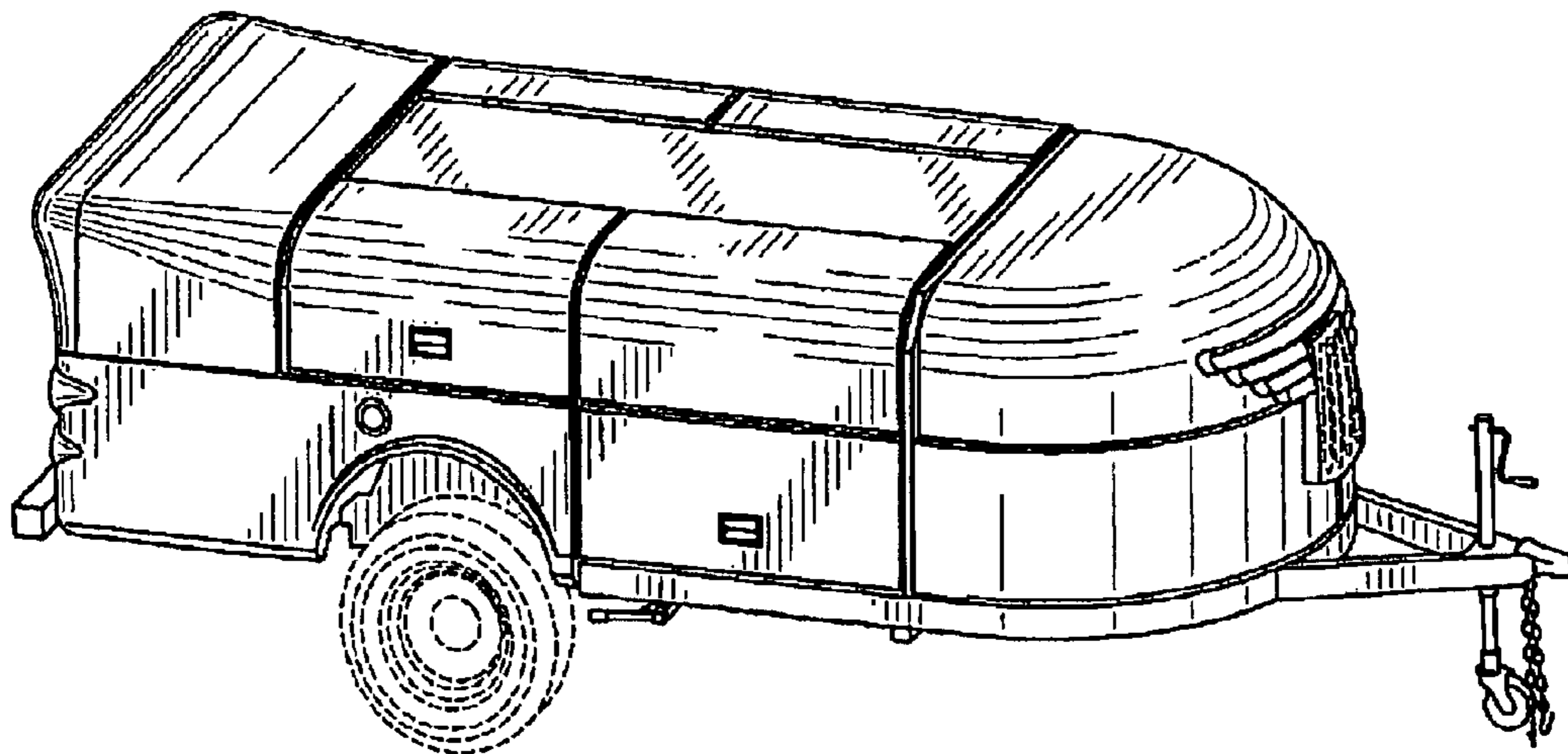
FIG. 9 is an isometric view of the exterior of the recreational towed vehicle camper showing the rear with raised rear door and first side tailgates and second side tailgates and first side of my new design; and,

(57) **CLAIM**

The ornamental design for a recreational towed vehicle camper, as shown in the drawings and as described herein.

FIG. 10 is an isometric top view of the exterior of the recreational towed vehicle camper showing all of the doors of my new design in a raised position.

1 Claim, 10 Drawing Sheets



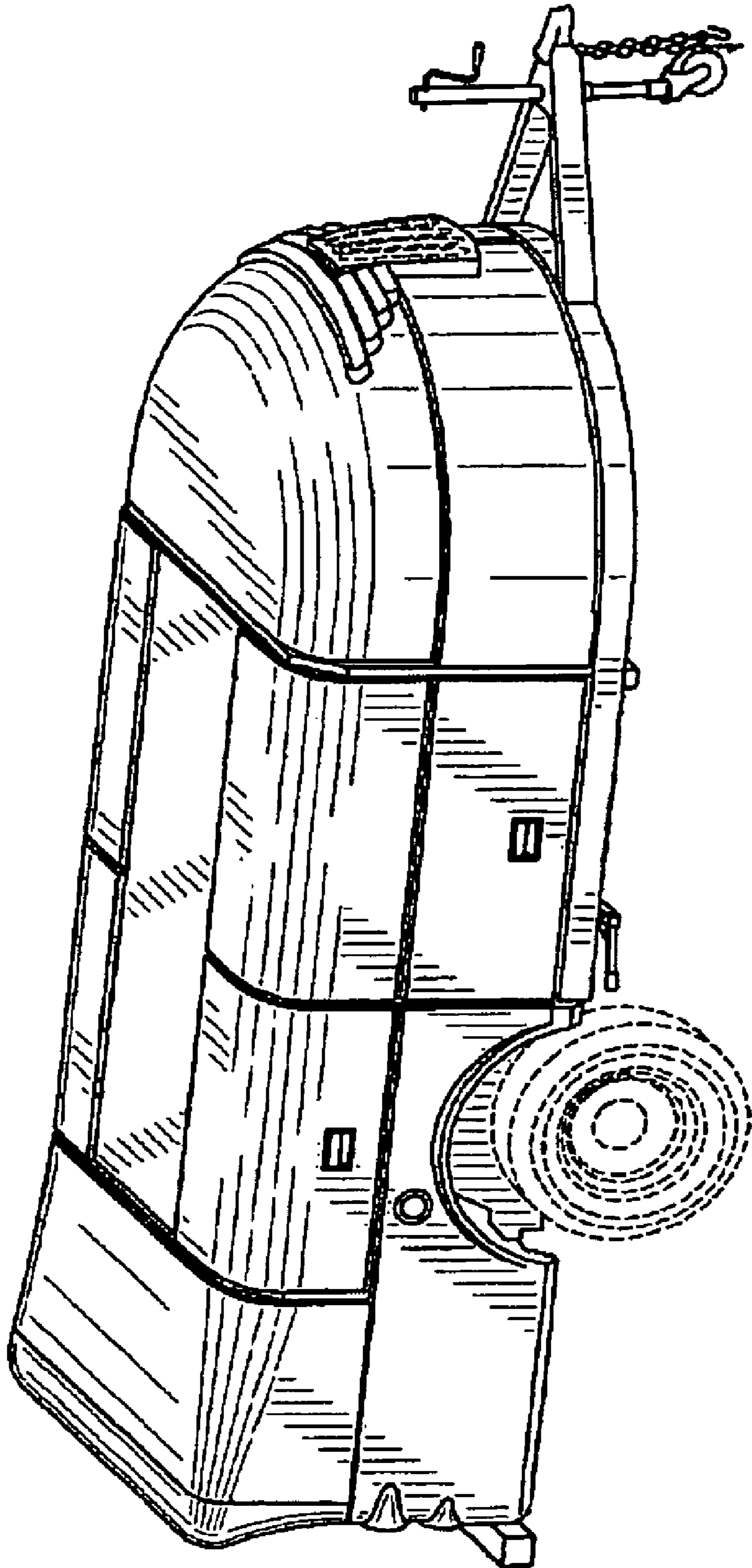


FIG. 1

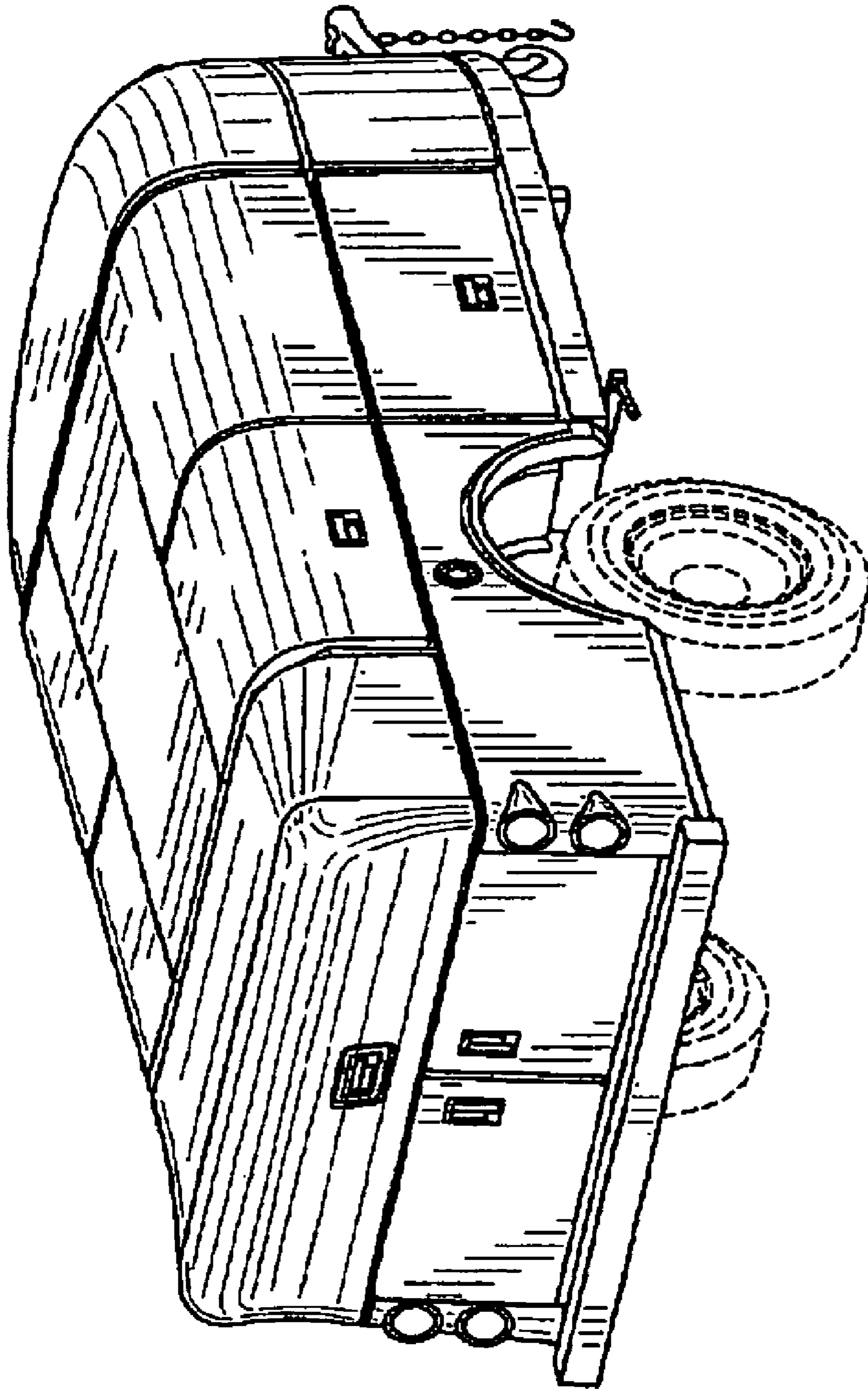


FIG. 2

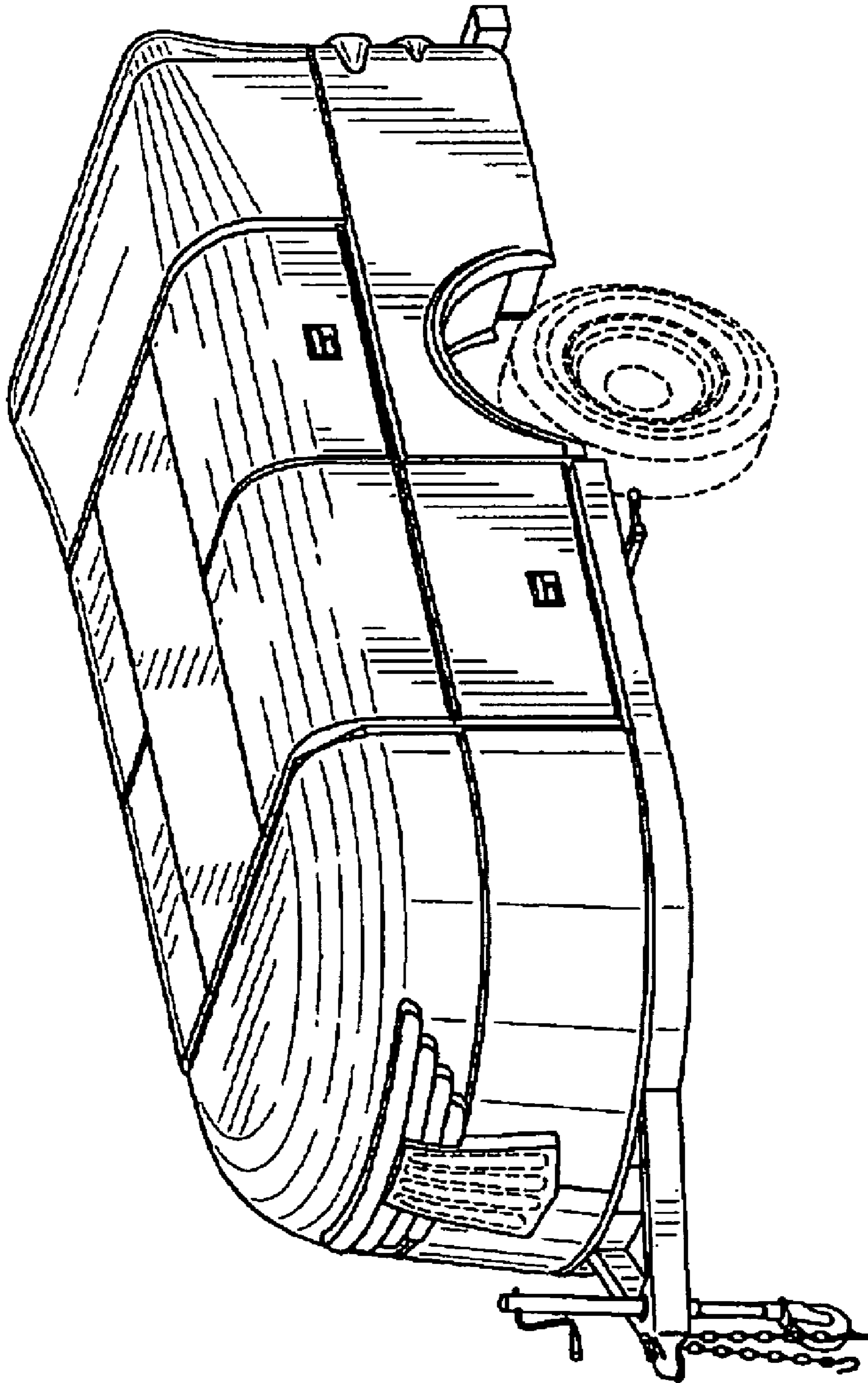


FIG. 3

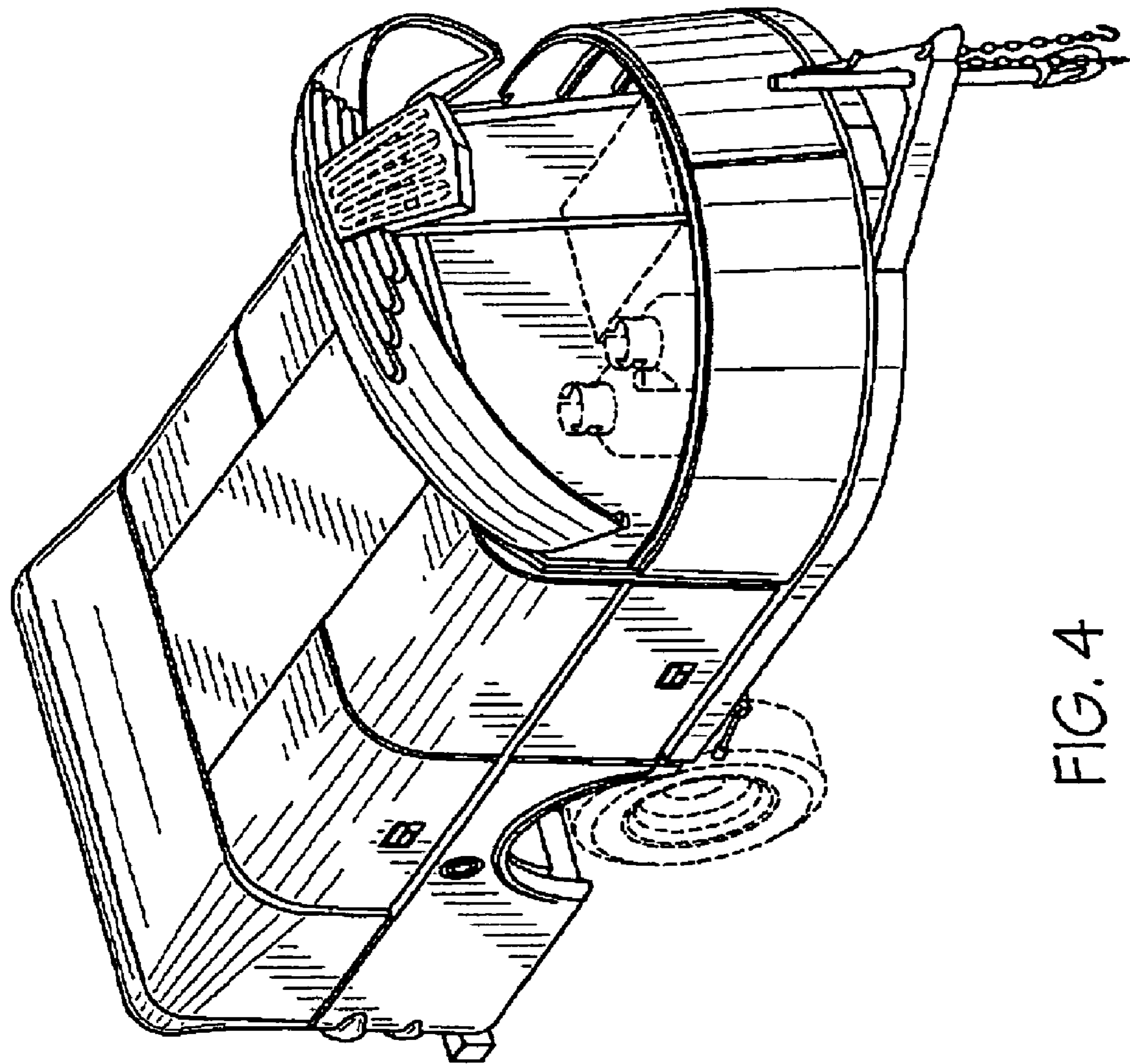


FIG. 4

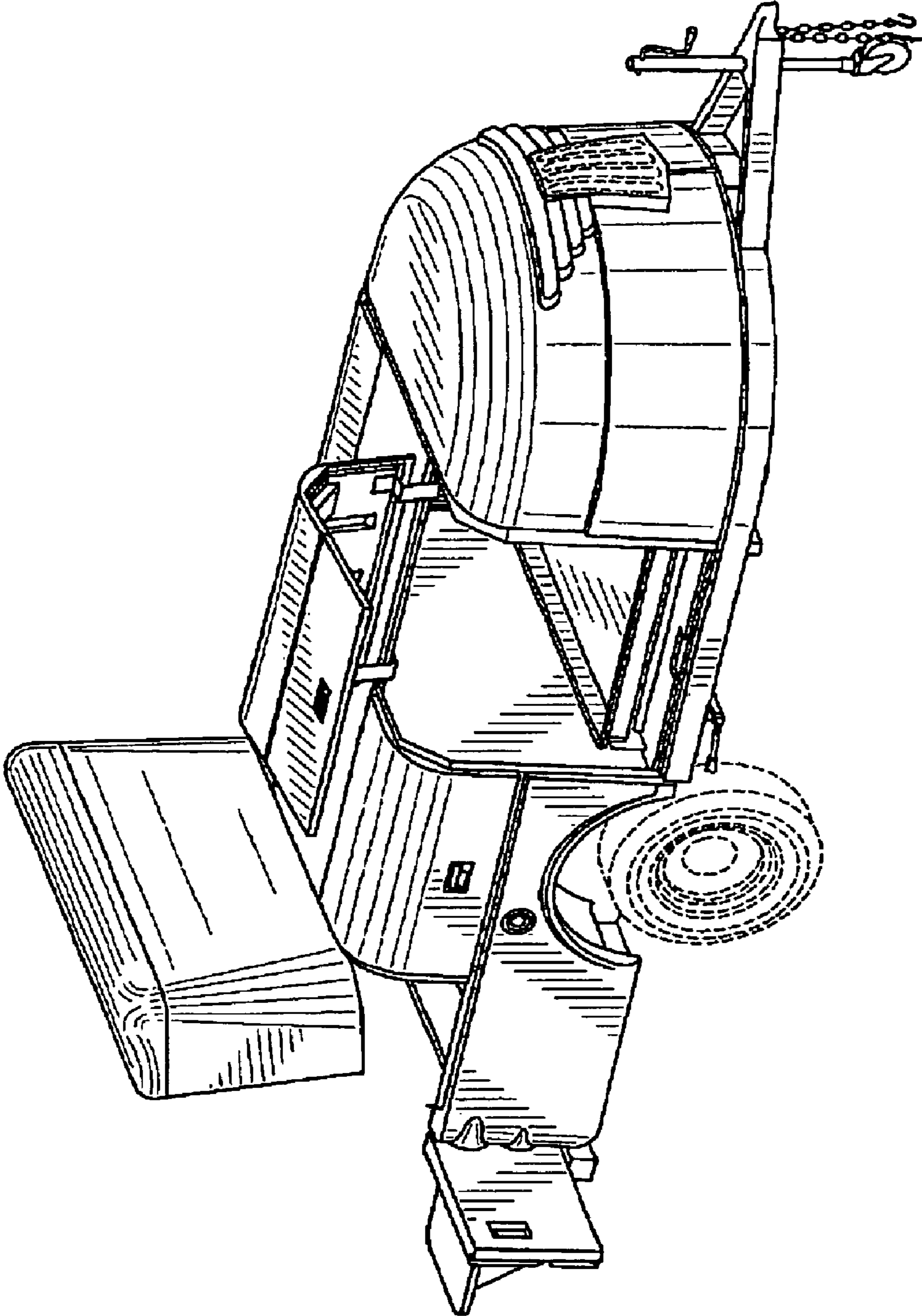


FIG. 5

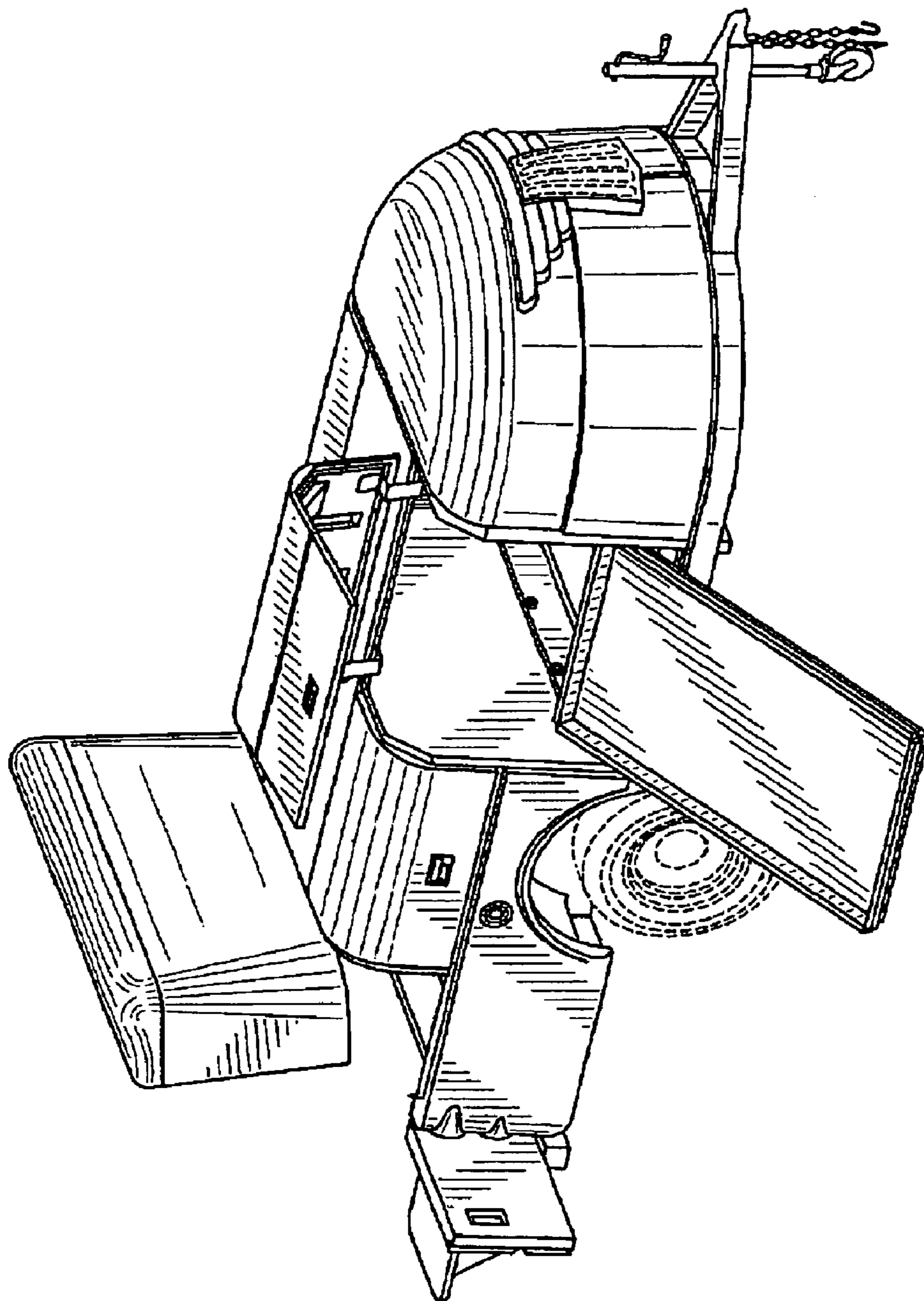


FIG. 6

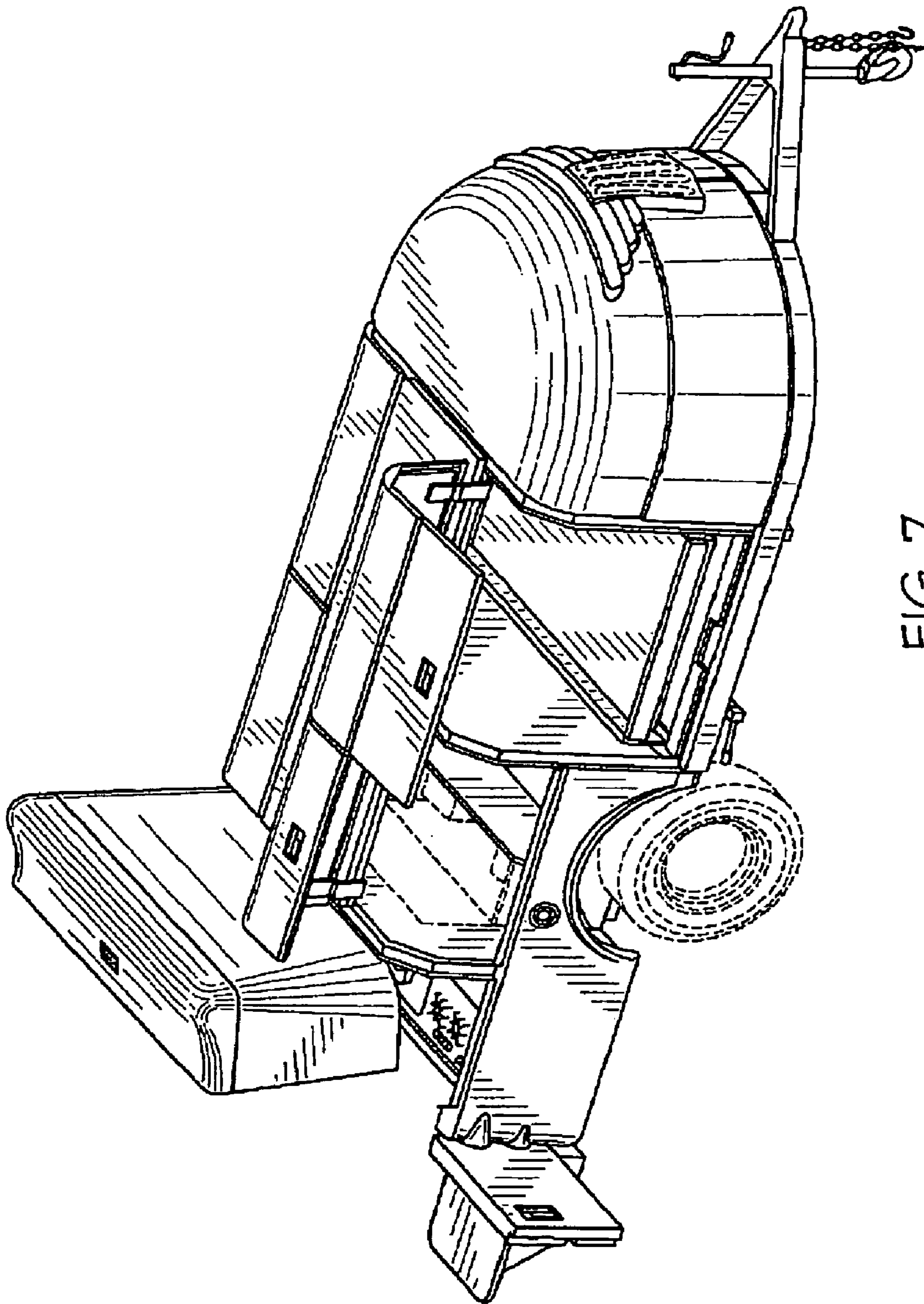


FIG. 7

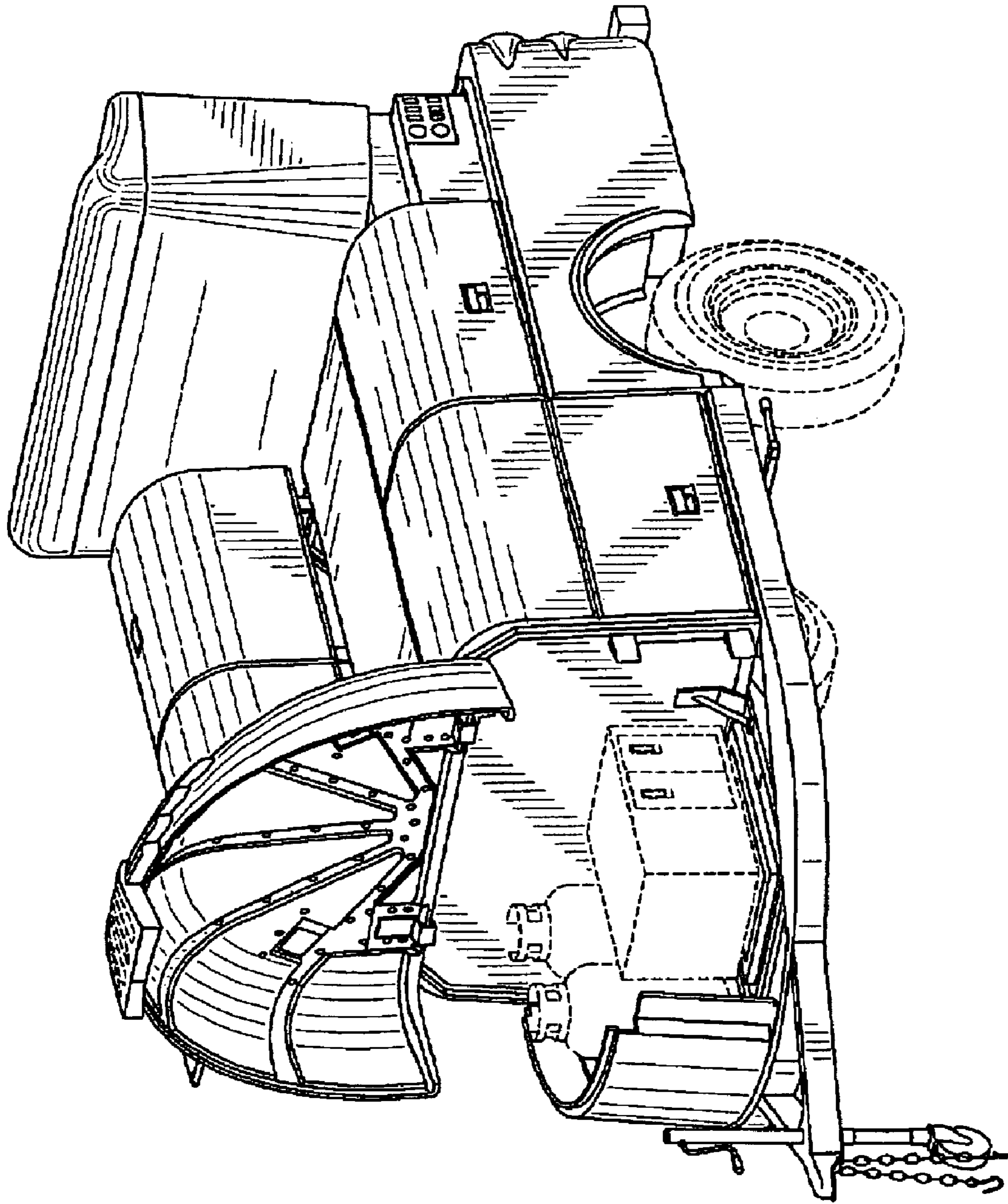


FIG. 8

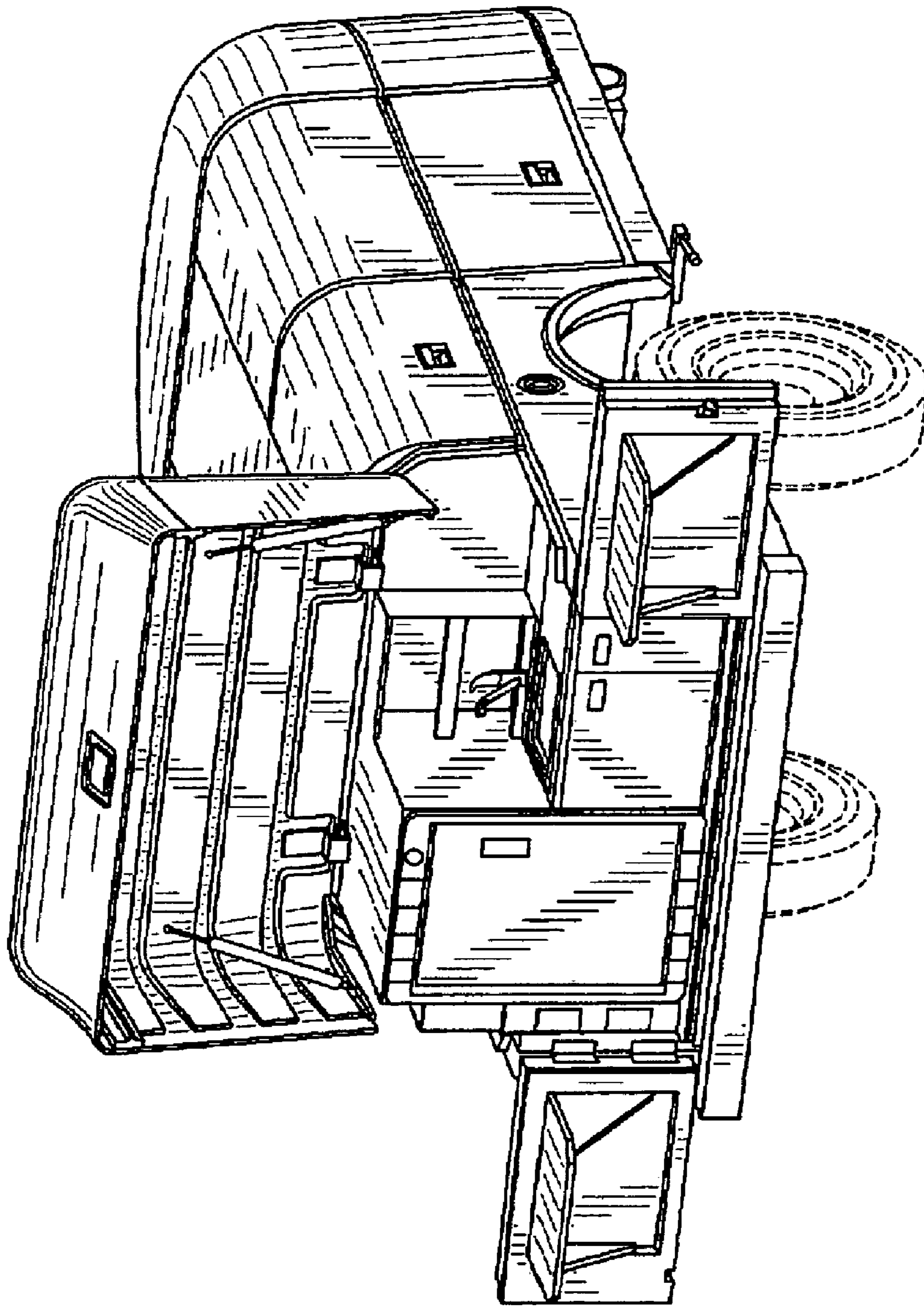


FIG. 9

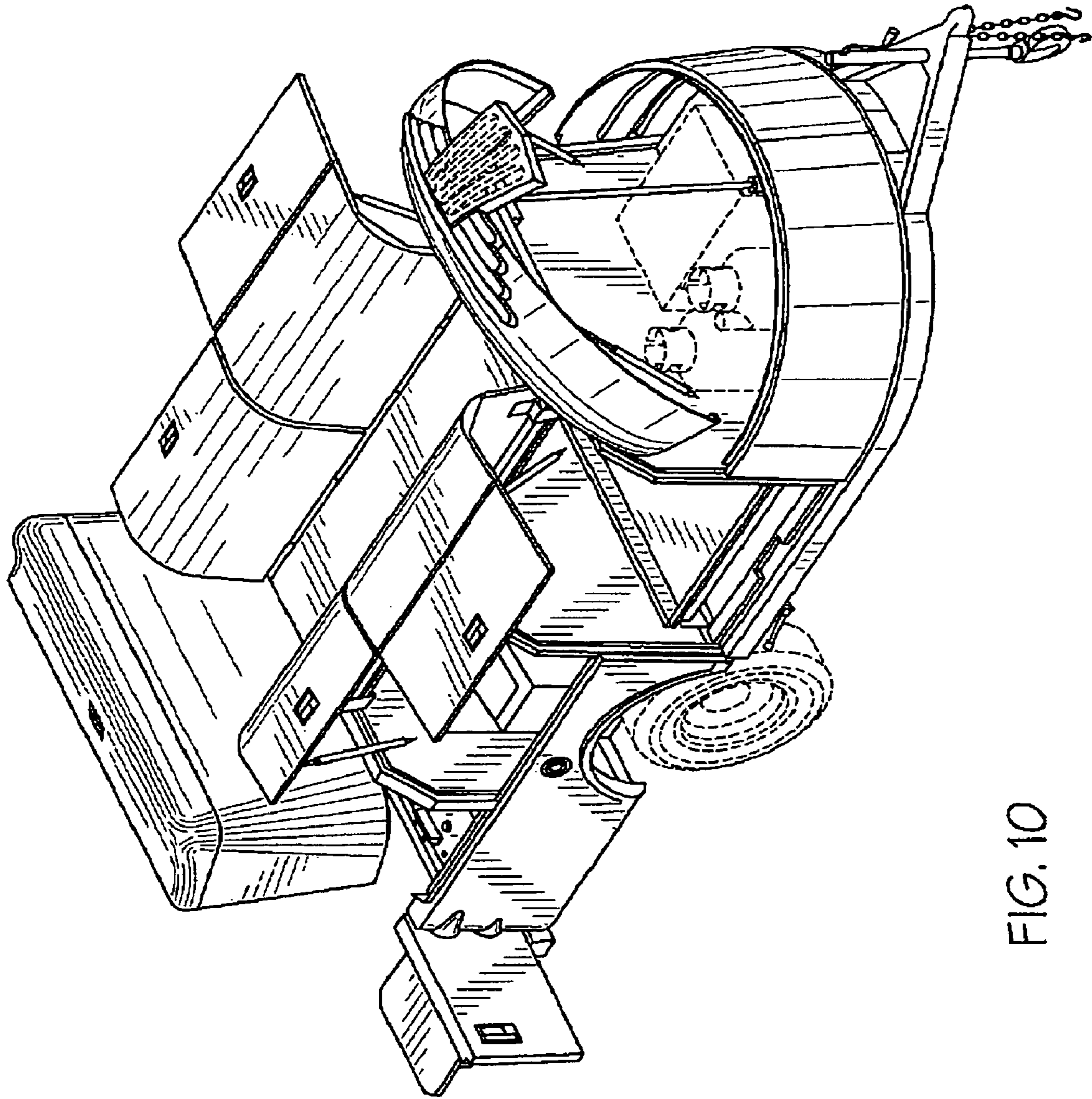


FIG. 10