



US00D603296S

(12) **United States Design Patent**
Zhou et al.

(10) **Patent No.:** **US D603,296 S**

(45) **Date of Patent:** **** Nov. 3, 2009**

(54) **SMALL AUTOMOBILE**

(75) Inventors: **Gangqiao Zhou**, Liuzhou (CN);
Zhengxiang Zhang, Liuzhou (CN);
Jianshe Chen, Liuzhou (CN);
Changping Liang, Liuzhou (CN)

(73) Assignee: **Liuzhou Wuling Automobile Industry Co., Ltd.**, Liuzhou (CN)

(**) Term: **14 Years**

(21) Appl. No.: **29/322,964**

(22) Filed: **Aug. 14, 2008**

(30) **Foreign Application Priority Data**

Jul. 11, 2008 (CN) 2008 3 0300969

(51) **LOC (9) Cl.** **12-08**

(52) **U.S. Cl.** **D12/86**

(58) **Field of Classification Search** D12/86,
D12/90-92; D21/424, 433, 434; 296/181.1,
296/181.5

See application file for complete search history.

(56) **References Cited**

U.S. PATENT DOCUMENTS

D410,215 S * 5/1999 Murata et al. D12/86

D419,107 S * 1/2000 Hofer et al. D12/86
D419,485 S * 1/2000 Sturges D12/86
D437,256 S * 2/2001 Parent D12/86
D495,275 S * 8/2004 Castiglione et al. D12/86
D515,458 S * 2/2006 Tolfsen et al. D12/86

* cited by examiner

Primary Examiner—Melody N Brown

(74) *Attorney, Agent, or Firm*—Courtney Staniford & Gregory LLP

(57) **CLAIM**

The ornamental design for a small automobile, as shown and described.

DESCRIPTION

FIG. 1 is a front view of the of the small automobile of the present design;

FIG. 2 is a rear view thereof;

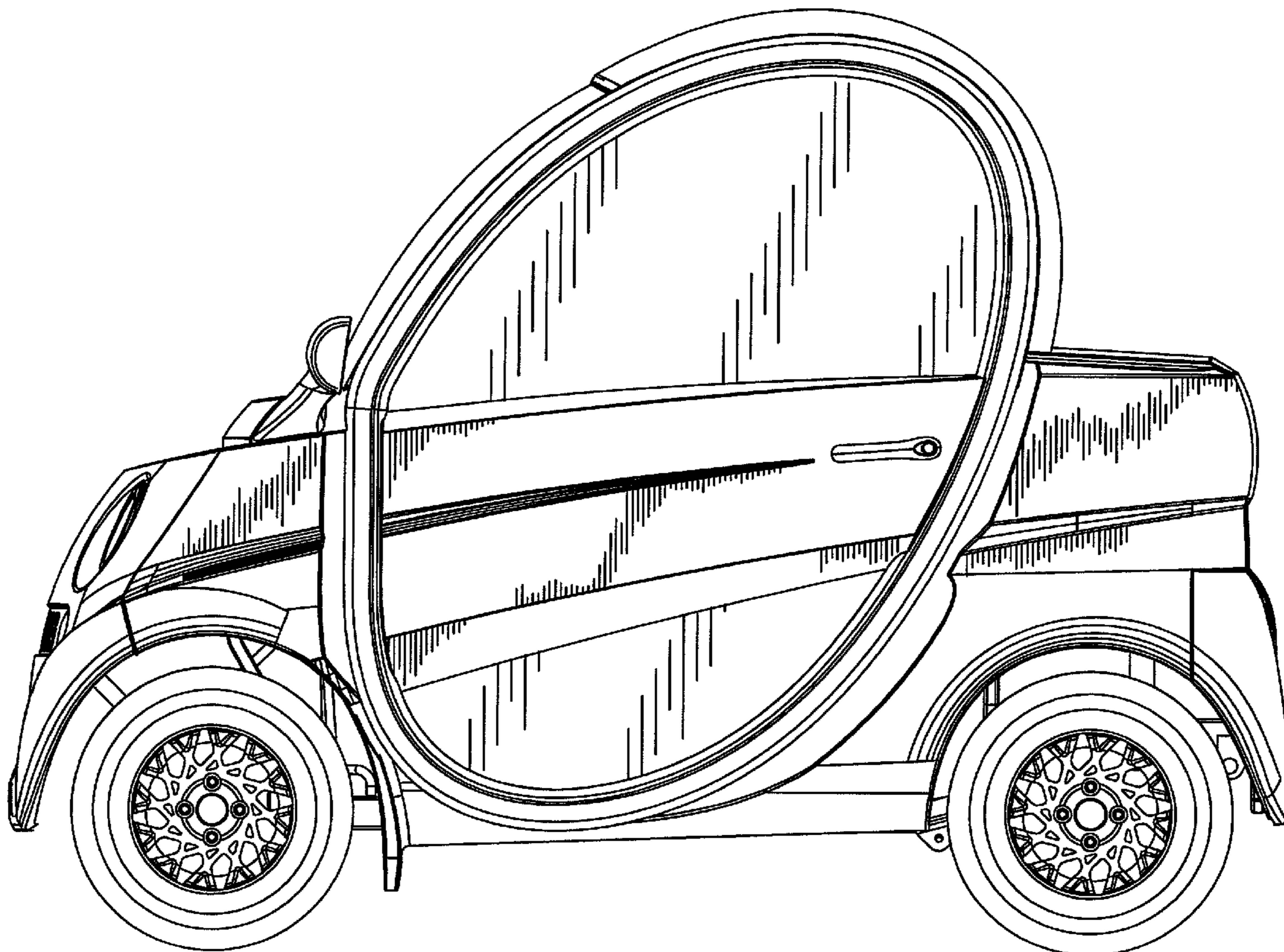
FIG. 3 is a left view thereof;

FIG. 4 is a right side view thereof; and,

FIG. 5 is a top view thereof.

The bottom view is omitted and not seen in use.

1 Claim, 5 Drawing Sheets



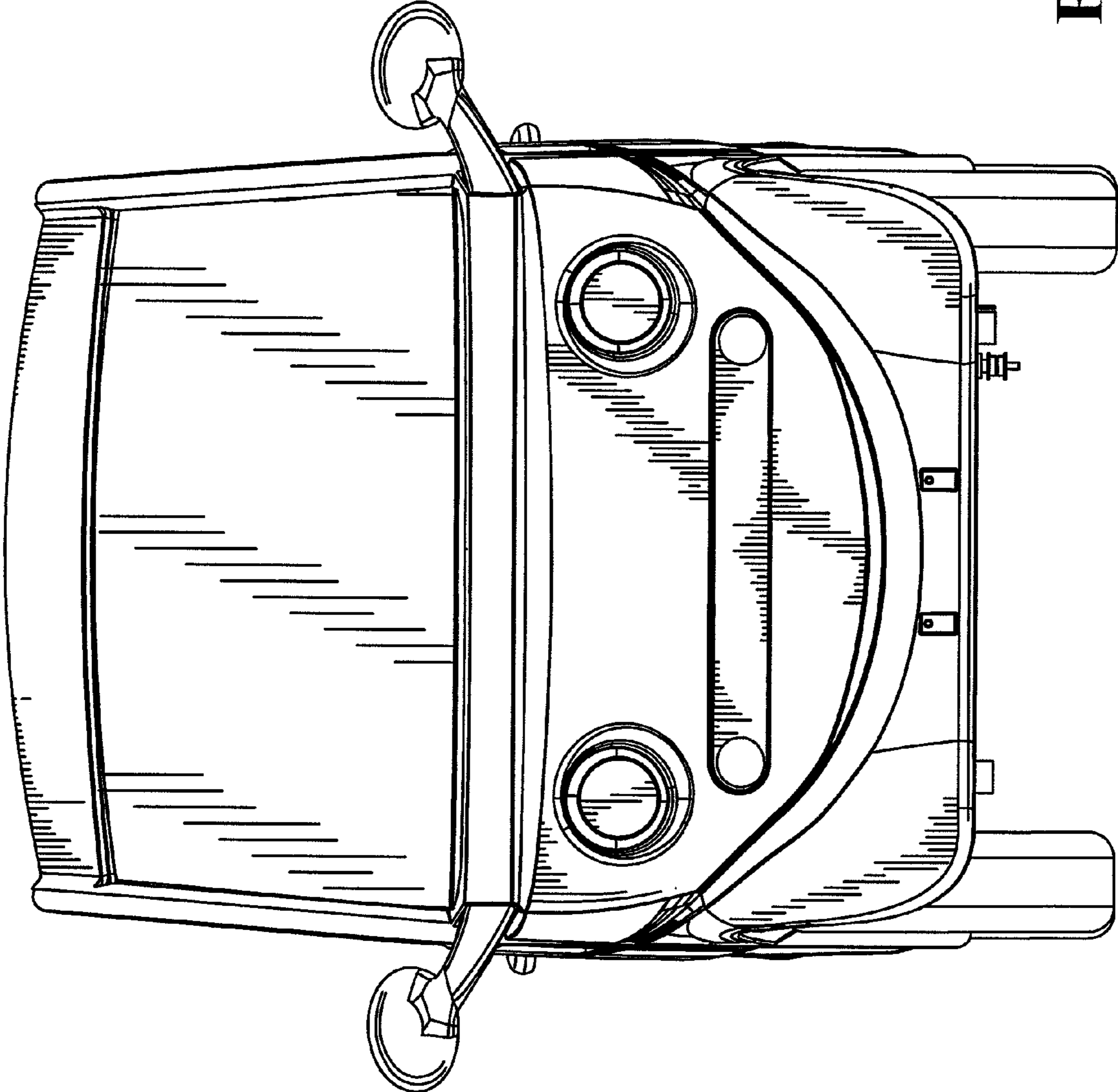


FIG.1

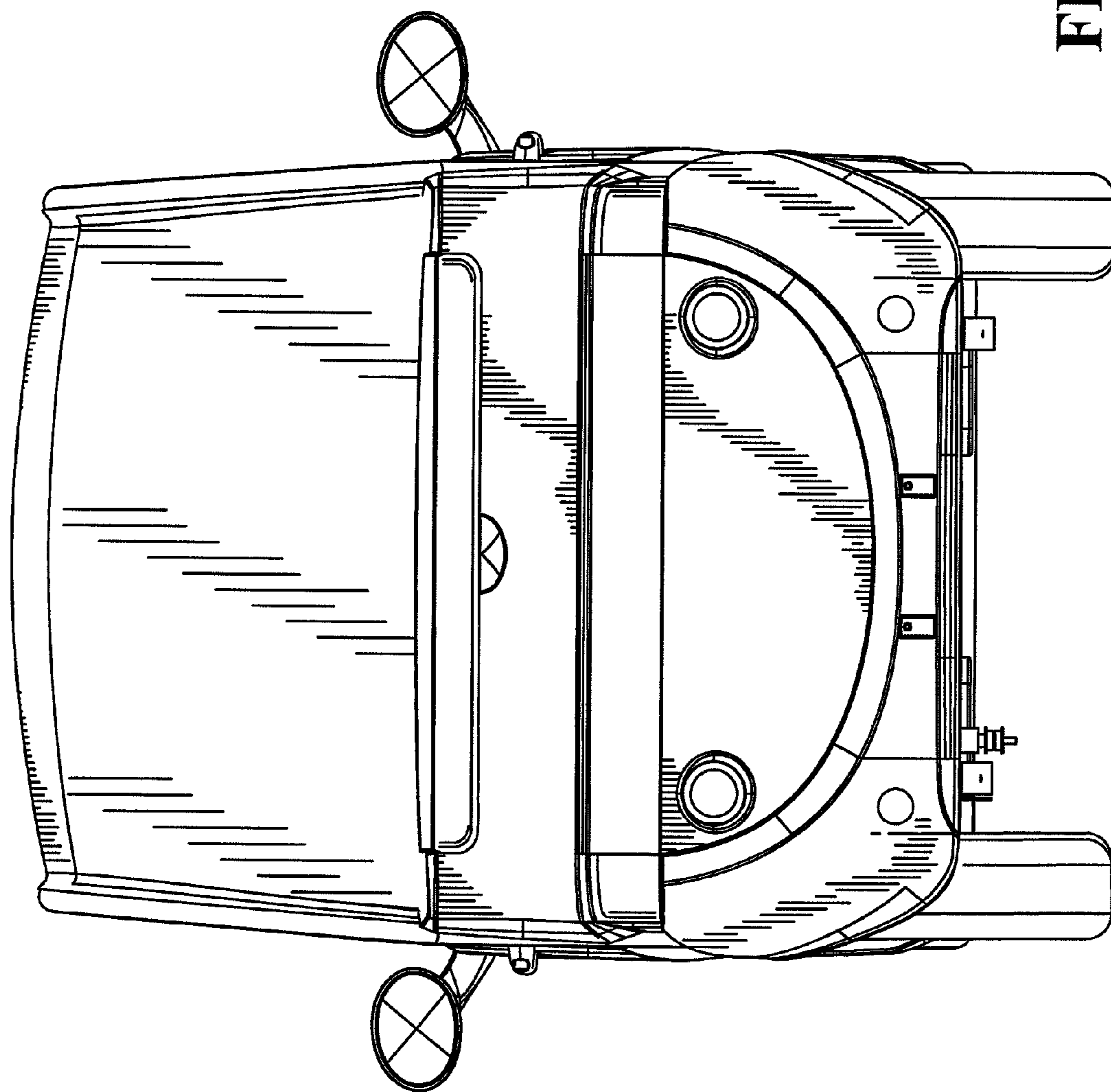


FIG.2

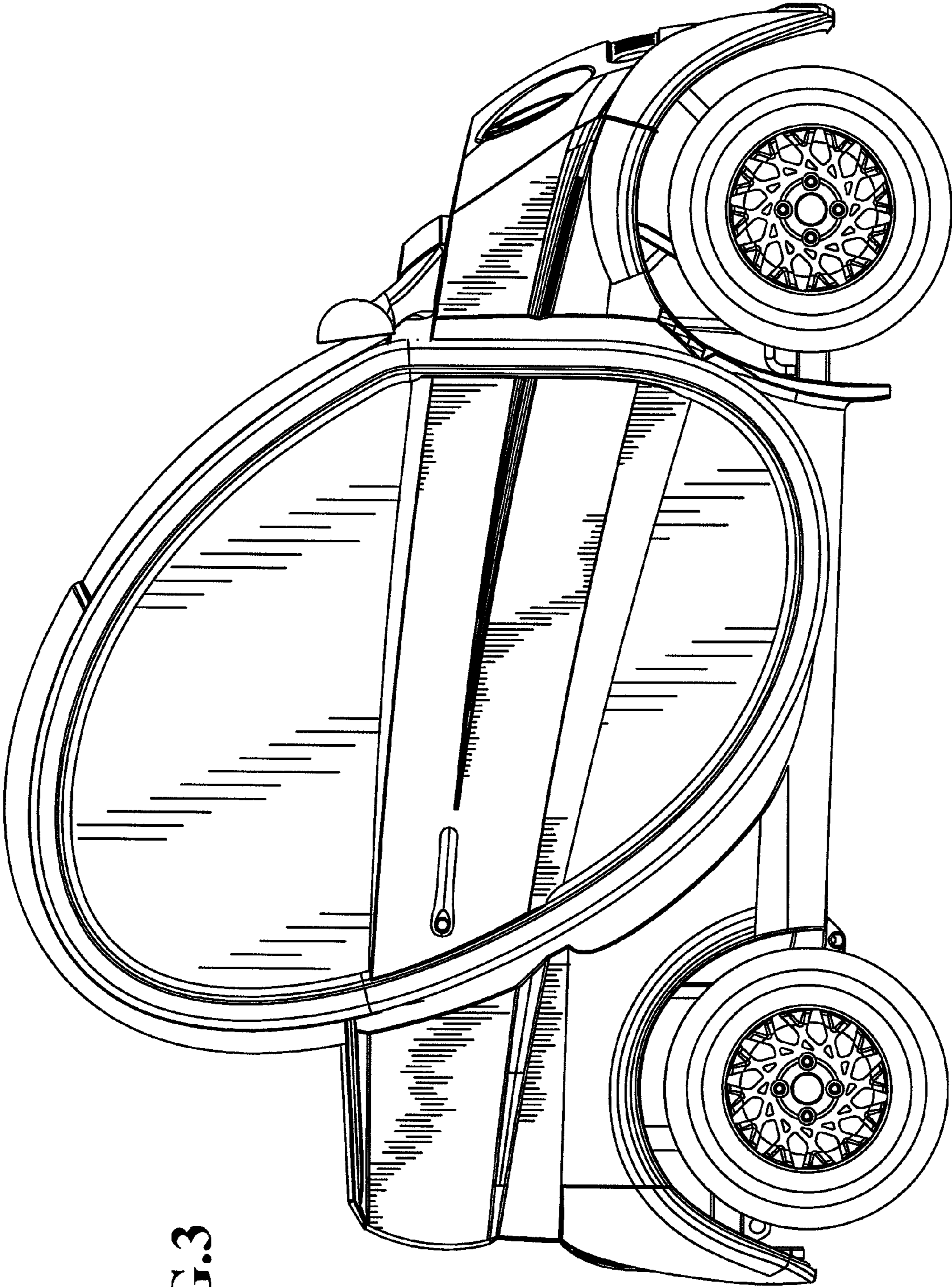


FIG.3

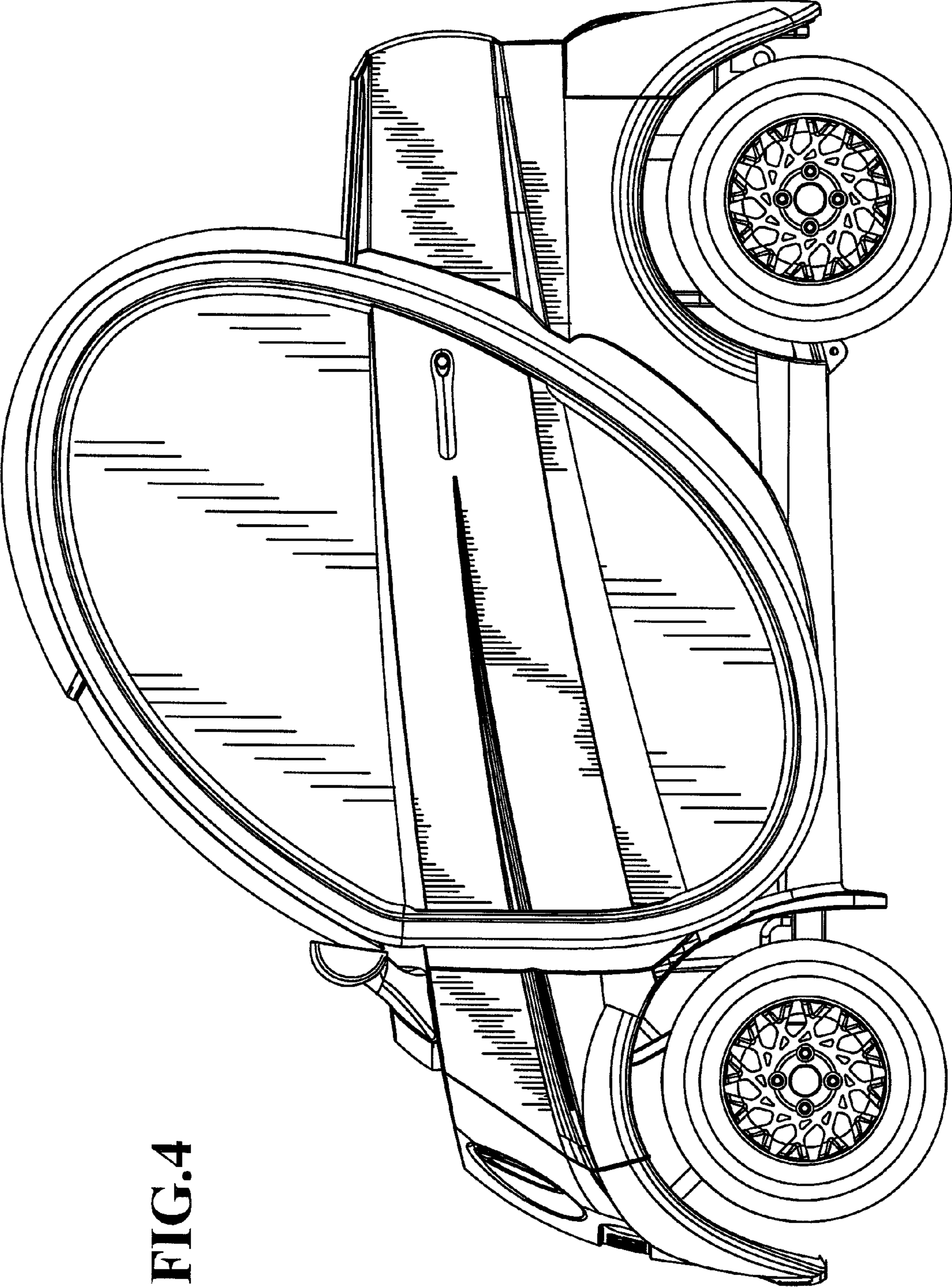


FIG.4

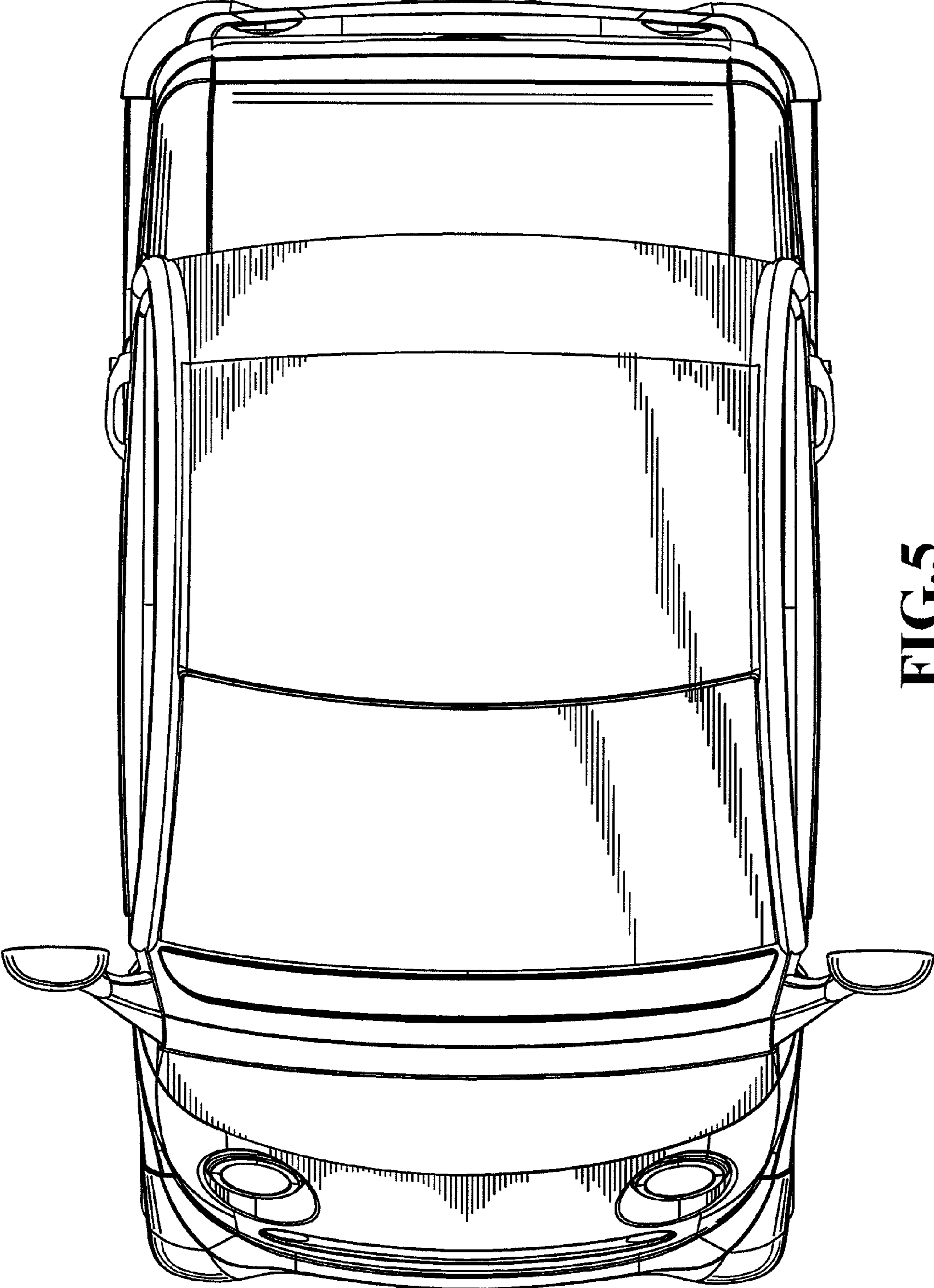


FIG.5