



US00D603294S

(12) **United States Design Patent**
Al Saud

(10) **Patent No.:** **US D603,294 S**

(45) **Date of Patent:** **** Nov. 3, 2009**

(54) **AUTOMOBILE BODY**

(76) **Inventor:** **Naief Bin Mamdooh Bin Abdul Aziz Al Saud**, P.O. Box 340025, Al Riyadh 11484 (SA)

(**) **Term:** **14 Years**

(21) **Appl. No.:** **29/310,227**

(22) **Filed:** **Jul. 31, 2008**

(30) **Foreign Application Priority Data**

Feb. 4, 2008 (SA) 408290028

(51) **LOC (9) Cl.** **12-08**

(52) **U.S. Cl.** **D12/85**

(58) **Field of Classification Search** D12/85,
D12/86, 90-92; D21/424, 433, 434; 296/181.1,
296/181.5

See application file for complete search history.

(56) **References Cited**

U.S. PATENT DOCUMENTS

- D248,461 S * 7/1978 Edmonson D12/85
- D269,505 S * 6/1983 Gordon D12/85
- D273,577 S * 4/1984 Fleishman D12/85

- D287,477 S * 12/1986 Takasu D12/85
- D296,090 S * 6/1988 Huss D12/85
- D324,006 S * 2/1992 Oslapas et al. D12/85
- D329,211 S * 9/1992 Malewicki D12/85
- D427,548 S * 7/2000 Sacco et al. D12/85
- D451,051 S * 11/2001 Walters D12/86
- D468,236 S * 1/2003 Pollitzer et al. D12/85

* cited by examiner

Primary Examiner—Melody N Brown

(74) *Attorney, Agent, or Firm*—Abelman, Frayne & Schwab

(57) **CLAIM**

The ornamental design for an automobile body, as shown and described.

DESCRIPTION

FIG. 1 is a front elevation view of an automobile body showing my new design;

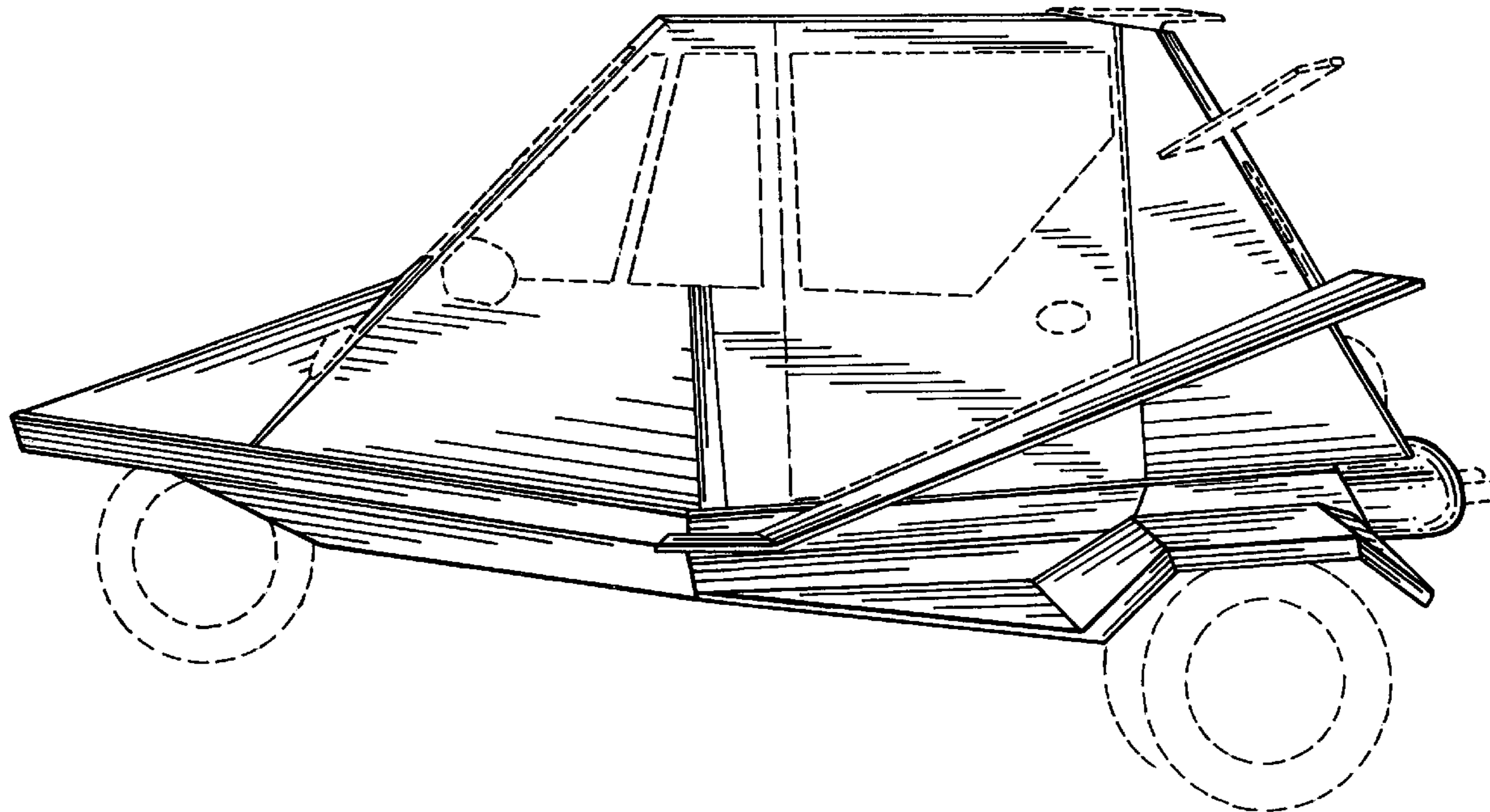
FIG. 2 is a left side elevation view thereof;

FIG. 3 is a top plan view thereof; and,

FIG. 4 is a rear plan view thereof.

The elements shown in broken lines are for illustrative purposes only and form no part of the claimed design.

1 Claim, 4 Drawing Sheets



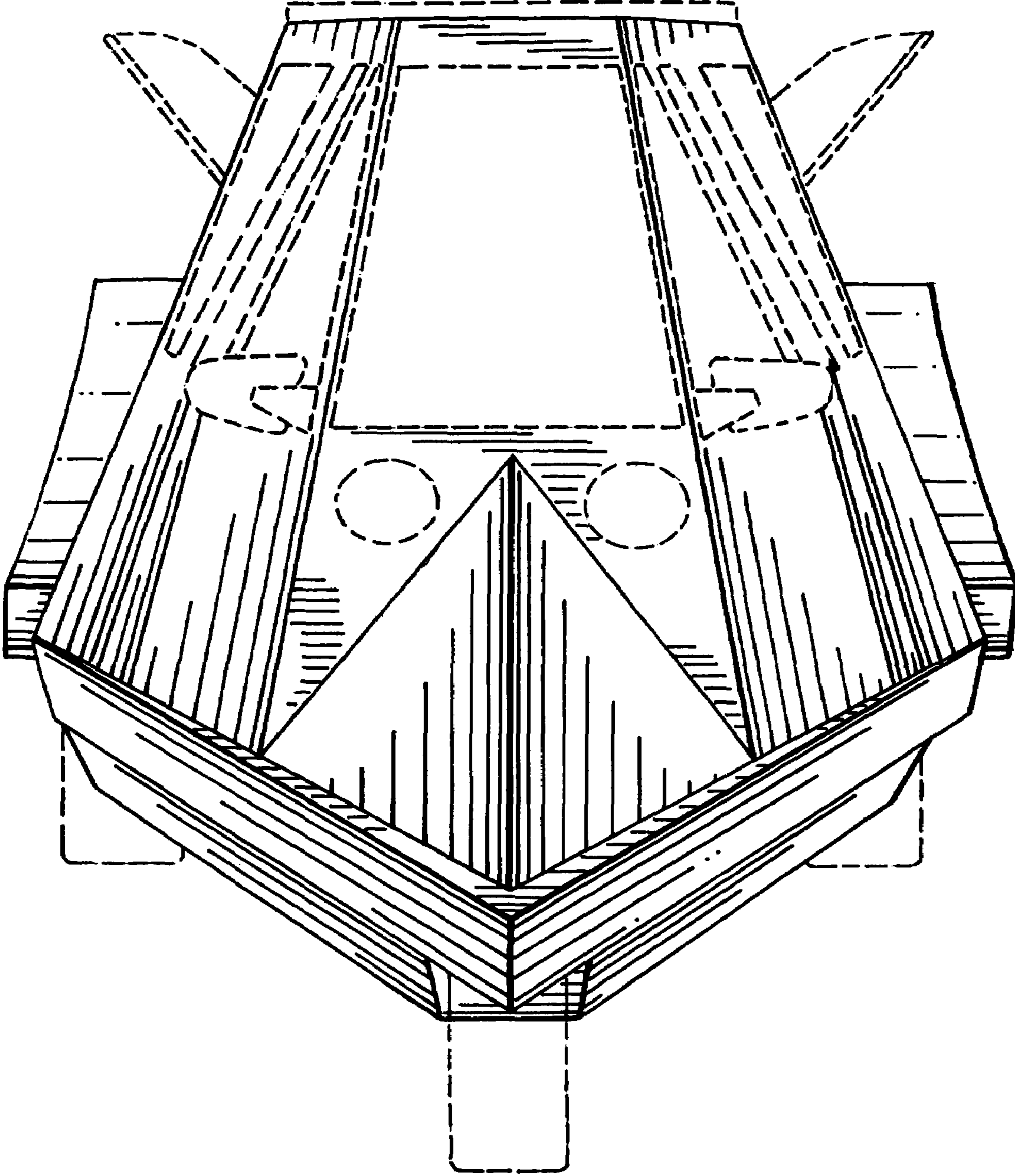


FIG. 1

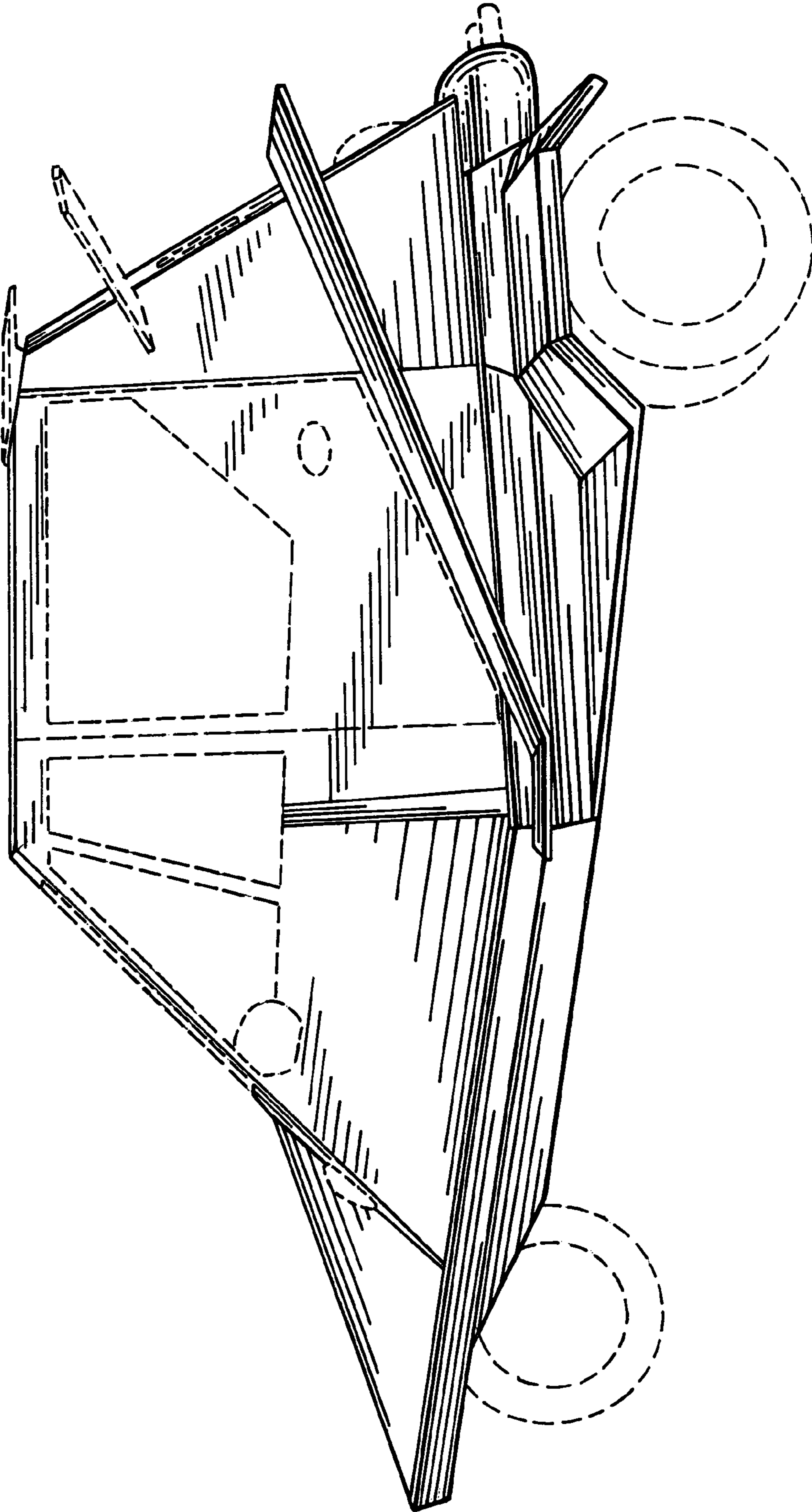


FIG. 2

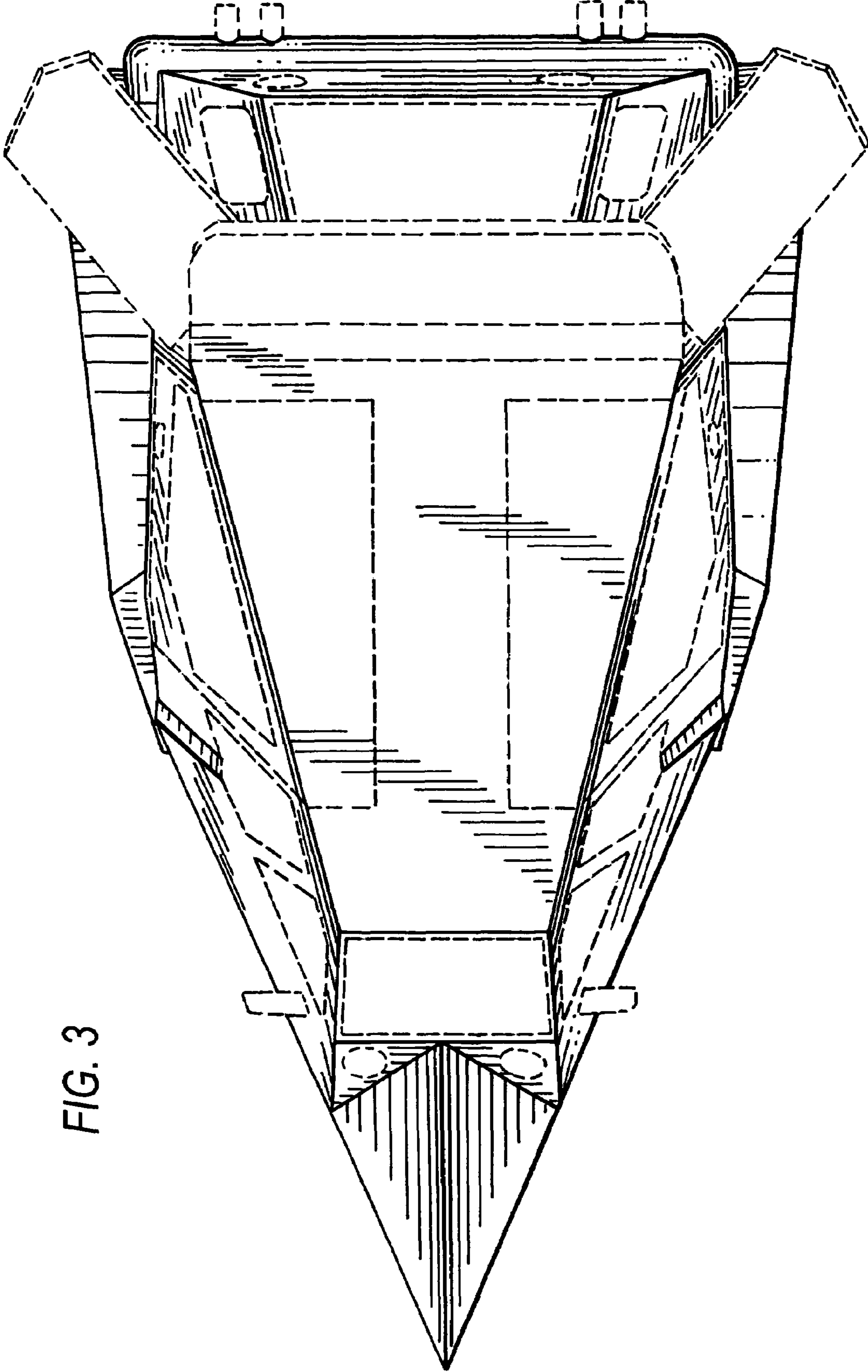


FIG. 3

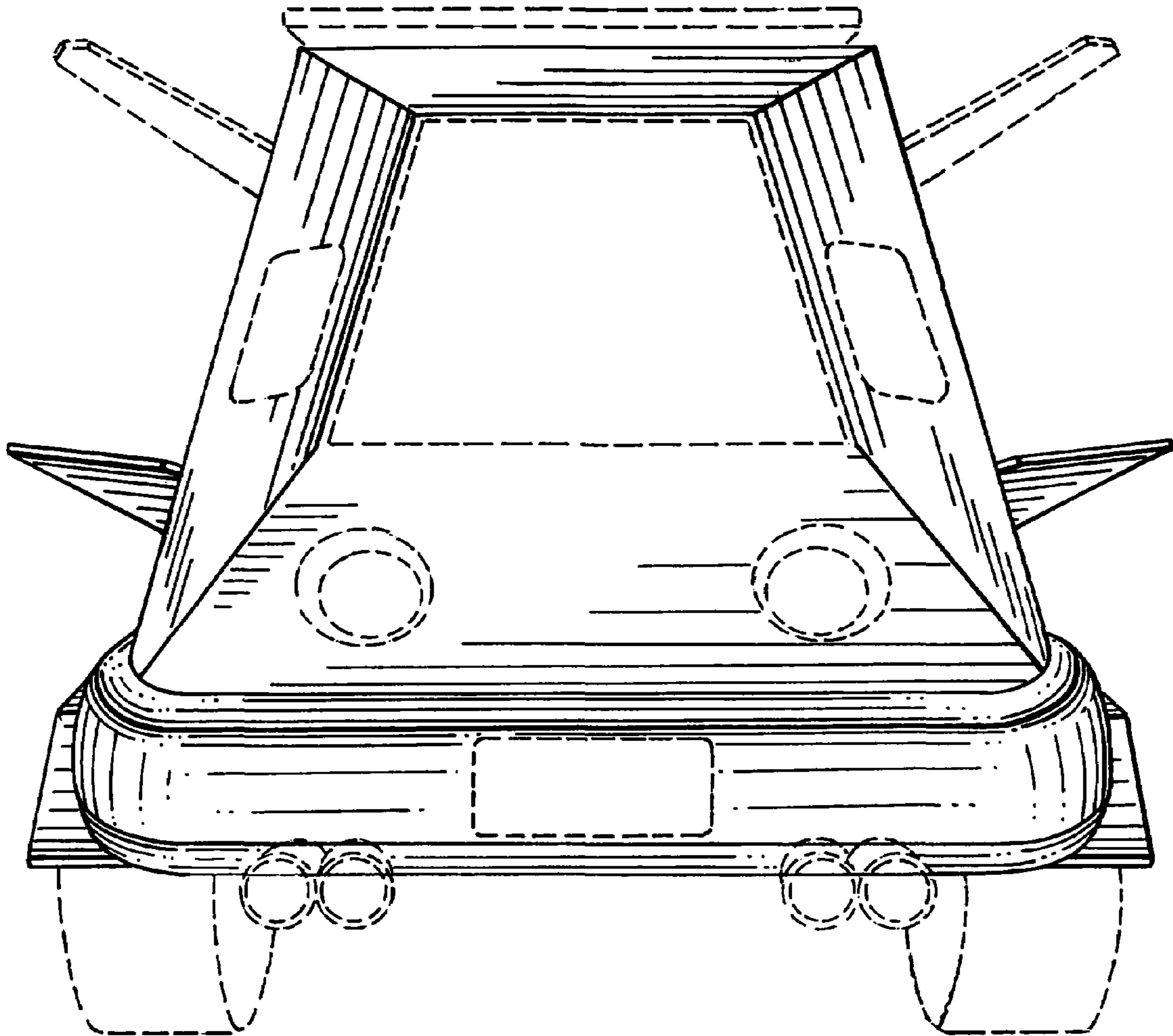


FIG. 4