



US00D603291S

(12) **United States Design Patent**
Wessling

(10) **Patent No.:** **US D603,291 S**
(45) **Date of Patent:** **** Nov. 3, 2009**

(54) **CHRISTMAS TREE WATERING ORNAMENT**

(76) Inventor: **Terrence L. Wessling**, 1704 Efland Dr.,
Greensboro, NC (US) 27408

(**) Term: **14 Years**

(21) Appl. No.: **29/314,459**

(22) Filed: **Apr. 2, 2009**

Related U.S. Application Data

(62) Division of application No. 29/307,320, filed on Apr. 11, 2008, now Pat. No. Des. 592,095.

(51) **LOC (9) Cl.** **11-05**

(52) **U.S. Cl.** **D11/121; D11/117**

(58) **Field of Classification Search** D11/117,
D11/121, 124, 125, 127, 131, 132, 133, 134,
D11/157, 158; 428/7-11

See application file for complete search history.

(56) **References Cited**

U.S. PATENT DOCUMENTS

2,522,890	A *	9/1950	Peterson	123/445
2,784,512	A *	3/1957	Goodwin	428/8
2,800,187	A *	7/1957	Lehder	169/26
D234,795	S *	4/1975	Gaydick	D26/11
D244,013	S *	4/1977	Perkins	D11/147
D249,134	S *	8/1978	Barr	D11/81
D382,824	S *	8/1997	Motruk	D10/106
D390,499	S *	2/1998	Durham et al.	D11/152
D416,826	S *	11/1999	Newsome	D11/121
D417,164	S *	11/1999	Sandoval et al.	D10/106
D491,484	S *	6/2004	Tyler	D11/121

D520,624	S *	5/2006	Blymyer	D23/368
D545,974	S *	7/2007	Nan	D24/211
D558,084	S *	12/2007	Neff	D11/121
D559,729	S *	1/2008	Chen	D11/121
D563,824	S *	3/2008	Chen	D11/121
D570,729	S *	6/2008	Chen	D11/125

* cited by examiner

Primary Examiner—Stella M Reid

Assistant Examiner—Elizabeth J Oswecki

(57) **CLAIM**

The ornamental design for a Christmas tree watering ornament, as shown and described.

DESCRIPTION

FIG. 1 is a front elevational view of a first embodiment of a Christmas tree watering ornament showing my new design, the rear elevational view being a mirror image thereof;

FIG. 2 is a left side elevational view thereof, the right side elevational view being a mirror image thereof;

FIG. 3 is a bottom plan view thereof;

FIG. 4 is a top plan view thereof;

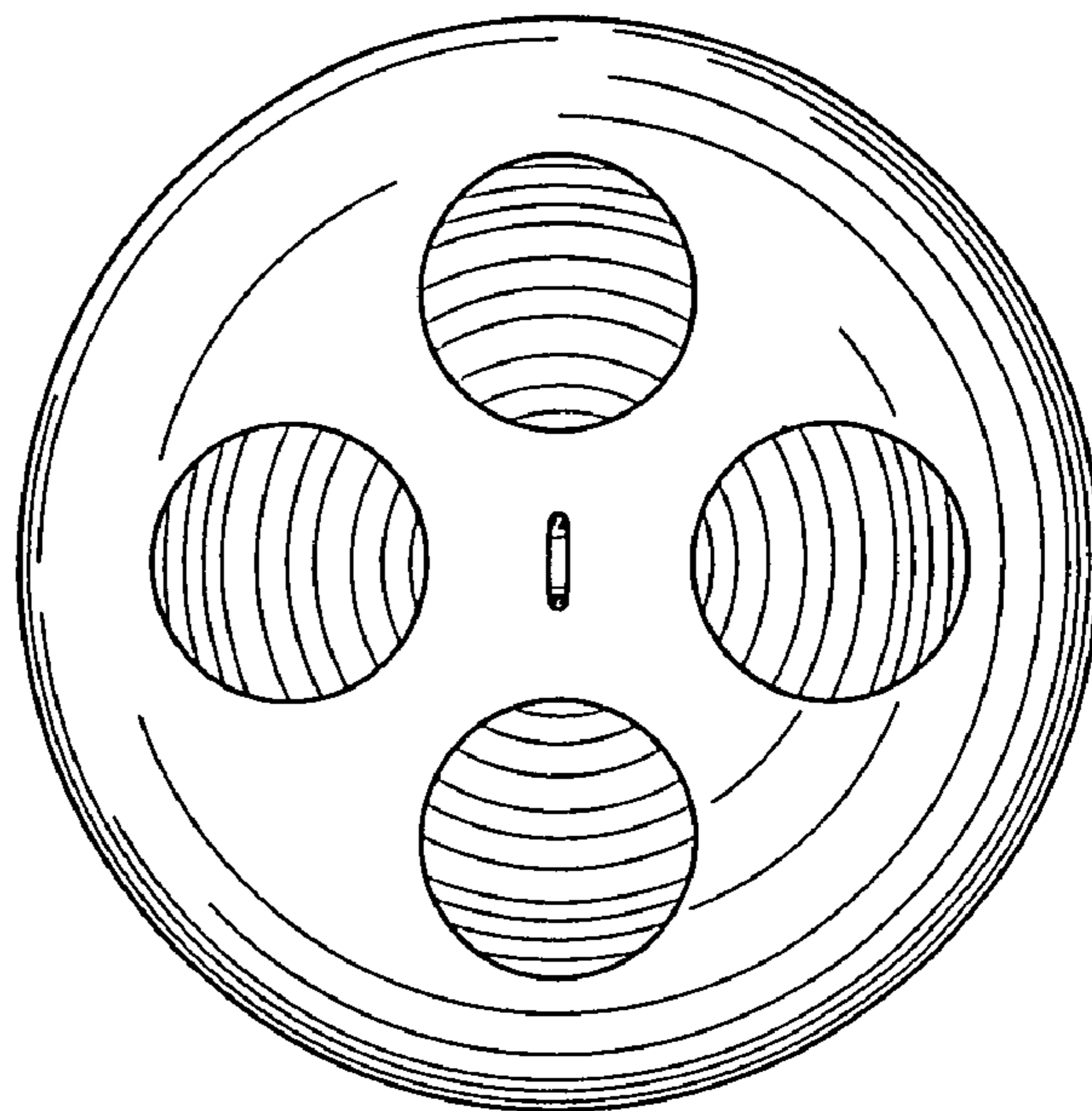
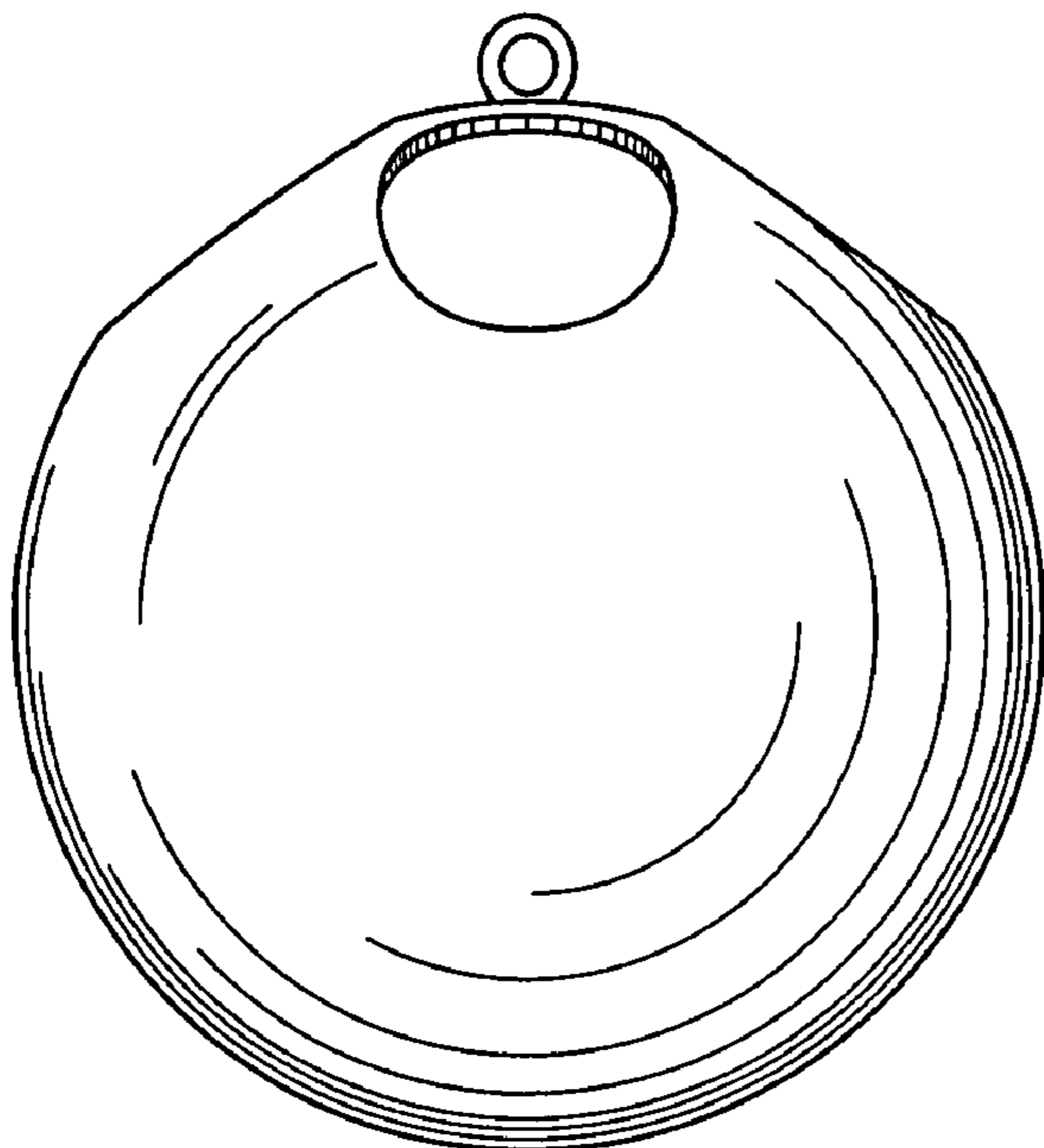
FIG. 5 is a front elevational view of a second embodiment of a Christmas tree watering ornament showing my new design, the rear elevational view being a mirror image thereof;

FIG. 6 is a left side elevational view thereof, the right side elevational view being a mirror image thereof;

FIG. 7 is a bottom plan view thereof; and,

FIG. 8 is a top plan view thereof.

1 Claim, 2 Drawing Sheets



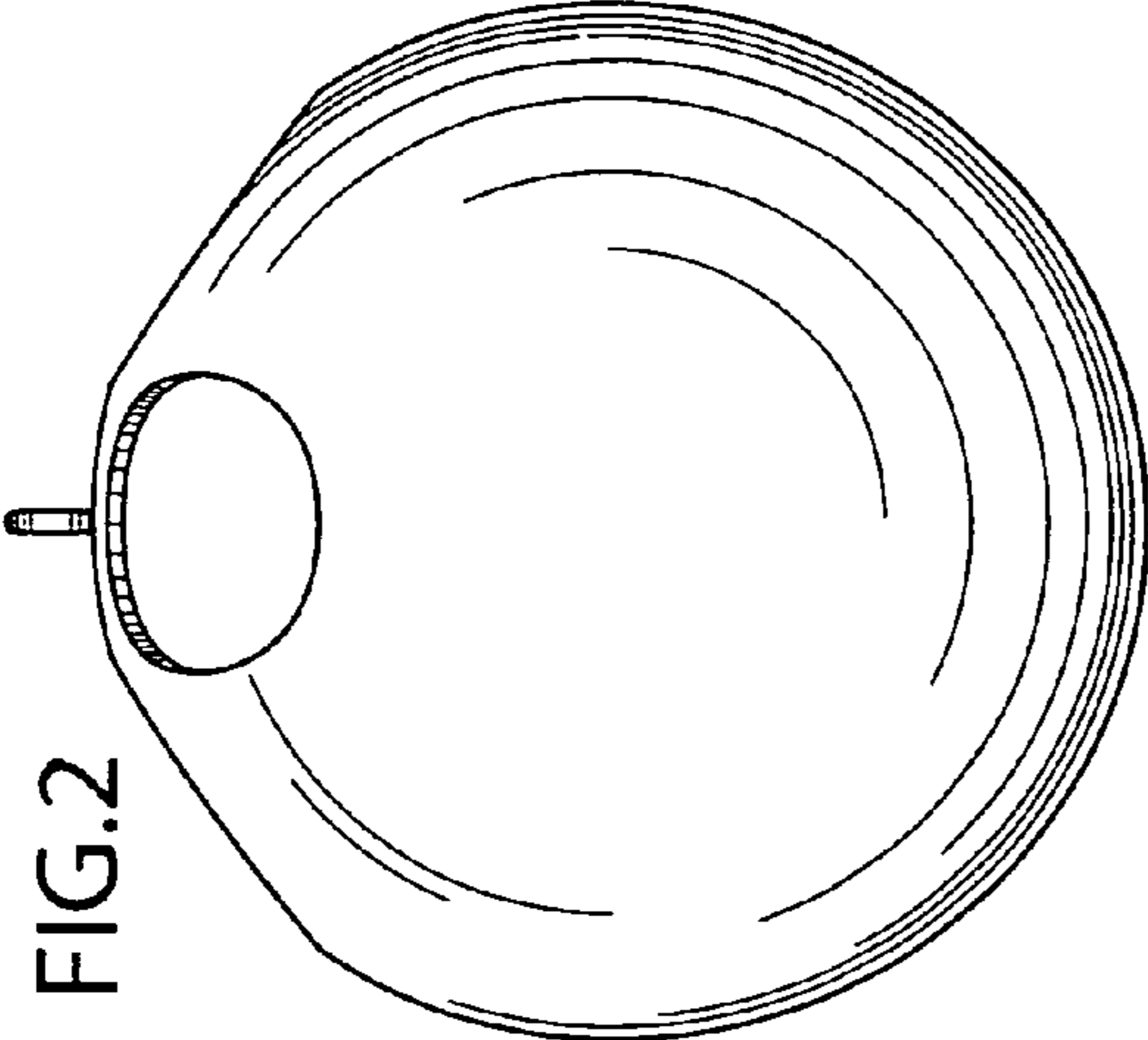


FIG. 2

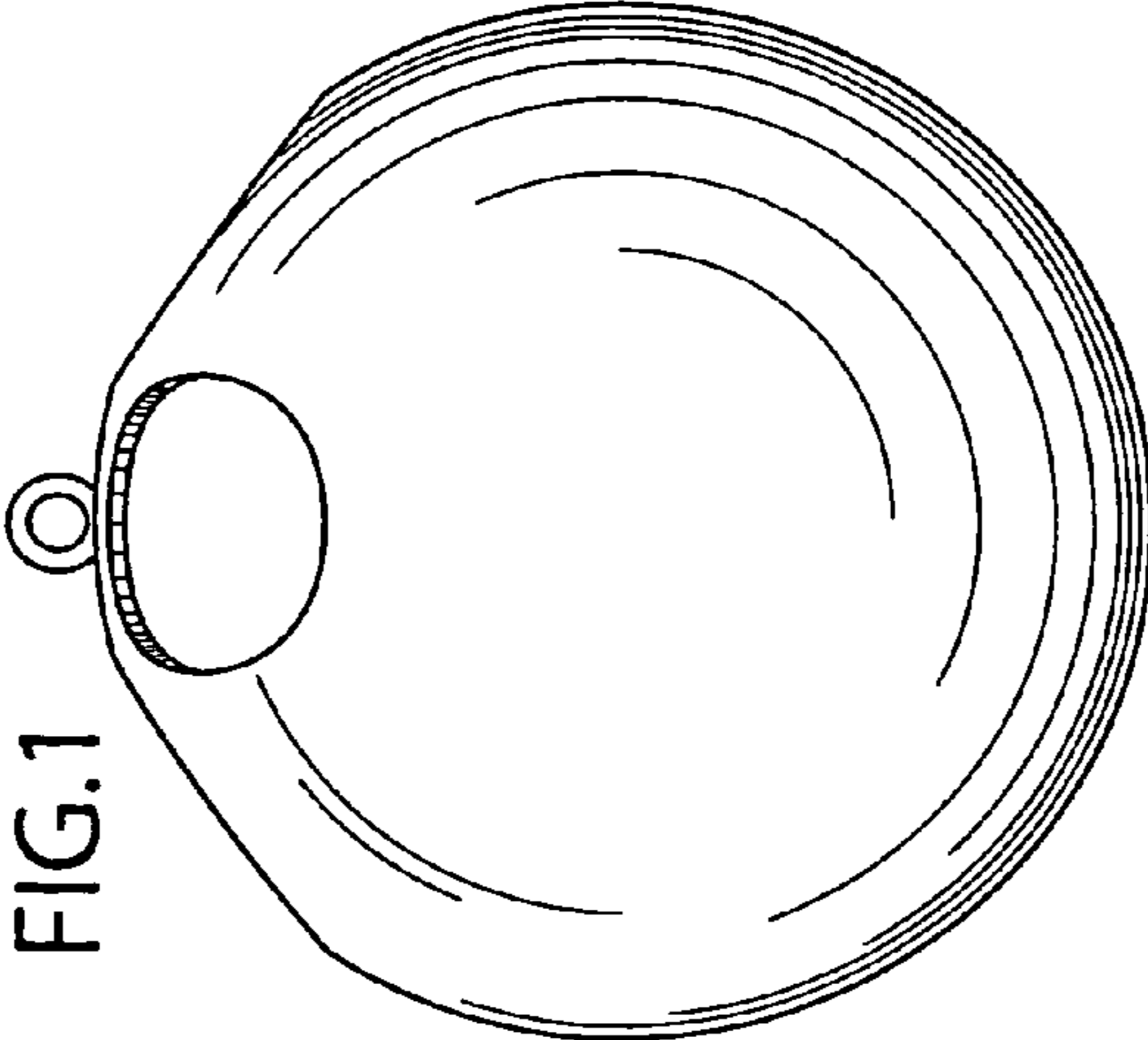


FIG. 1

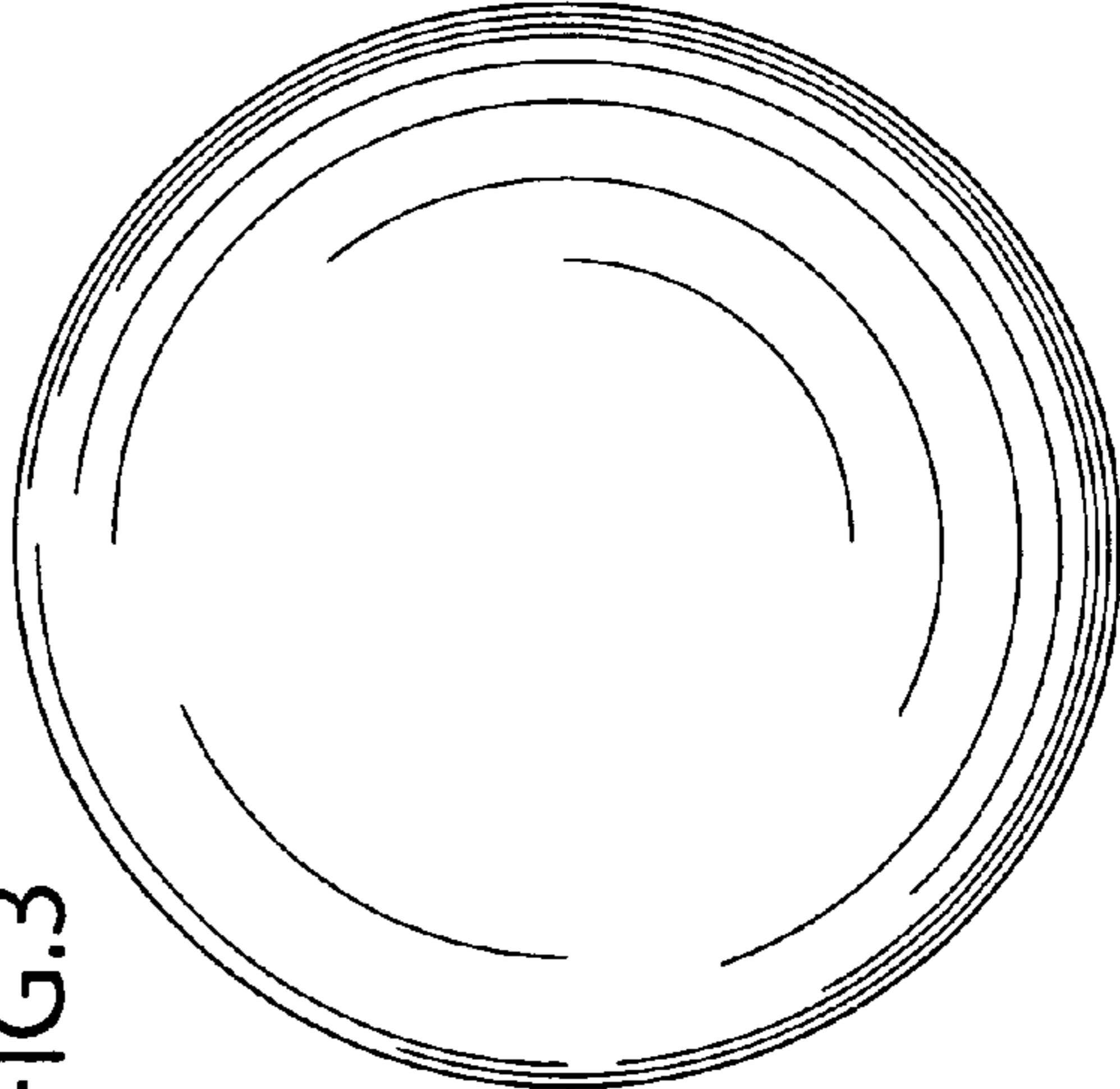


FIG. 3

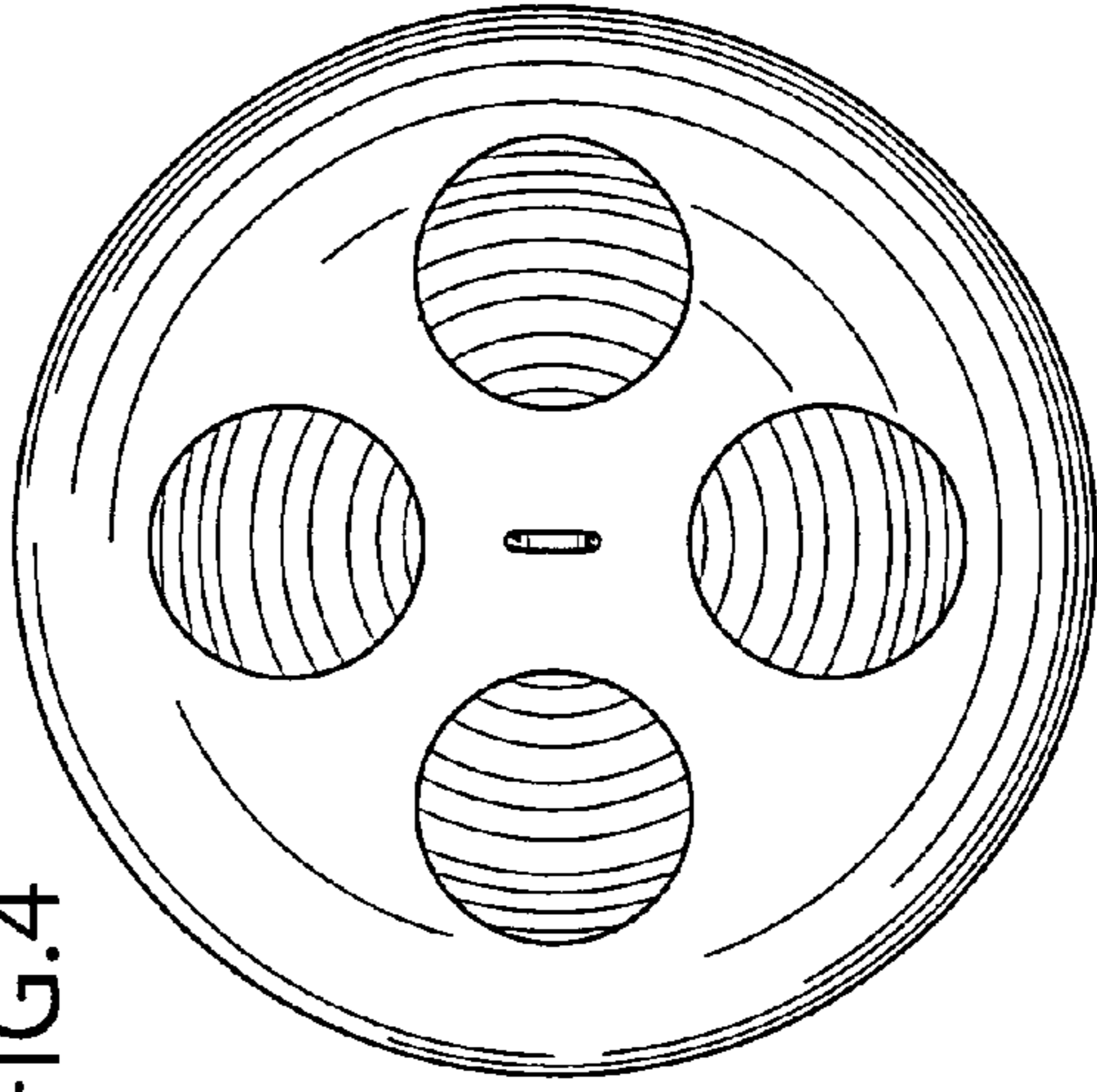


FIG. 4

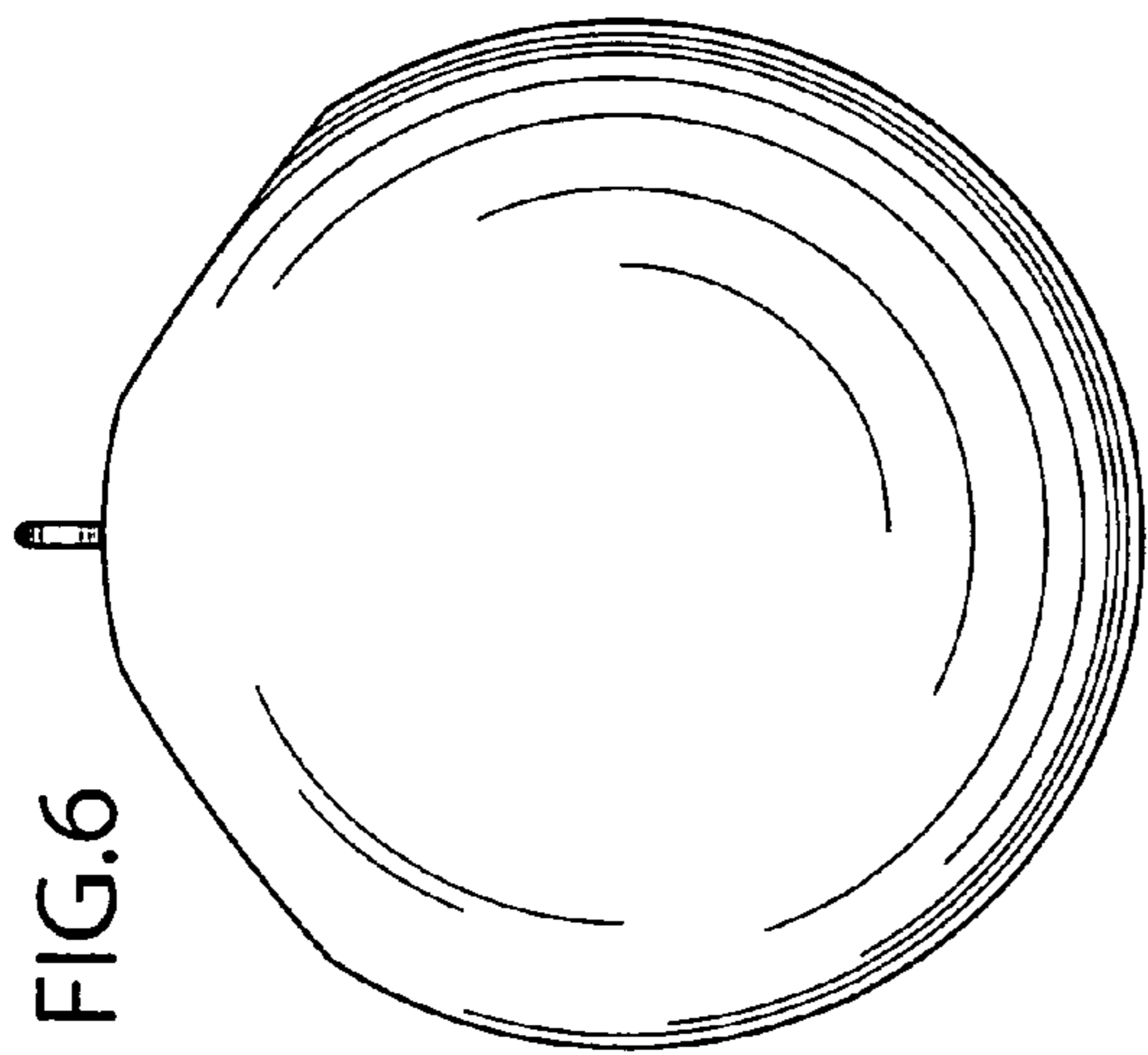


FIG. 6

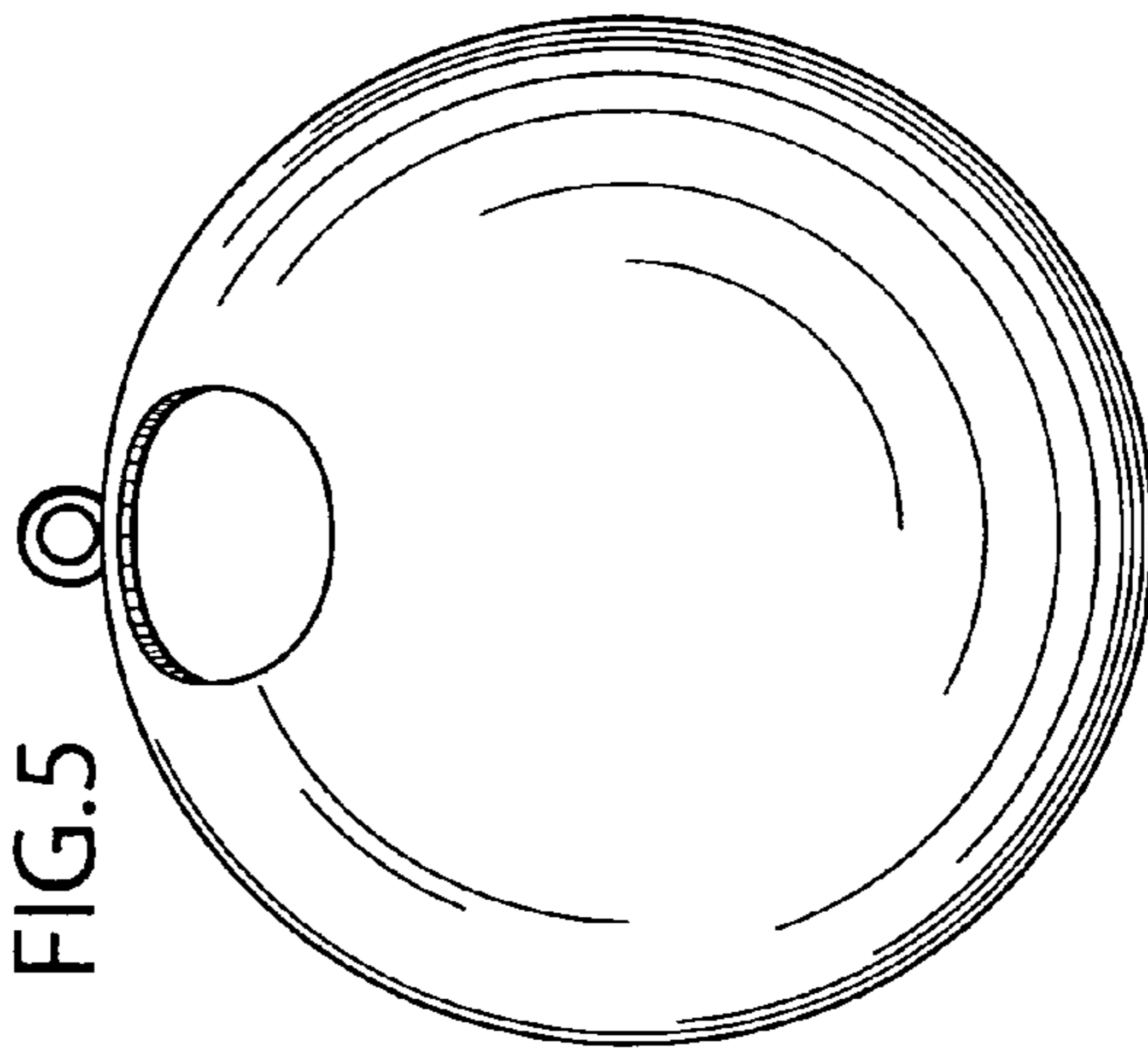


FIG. 5

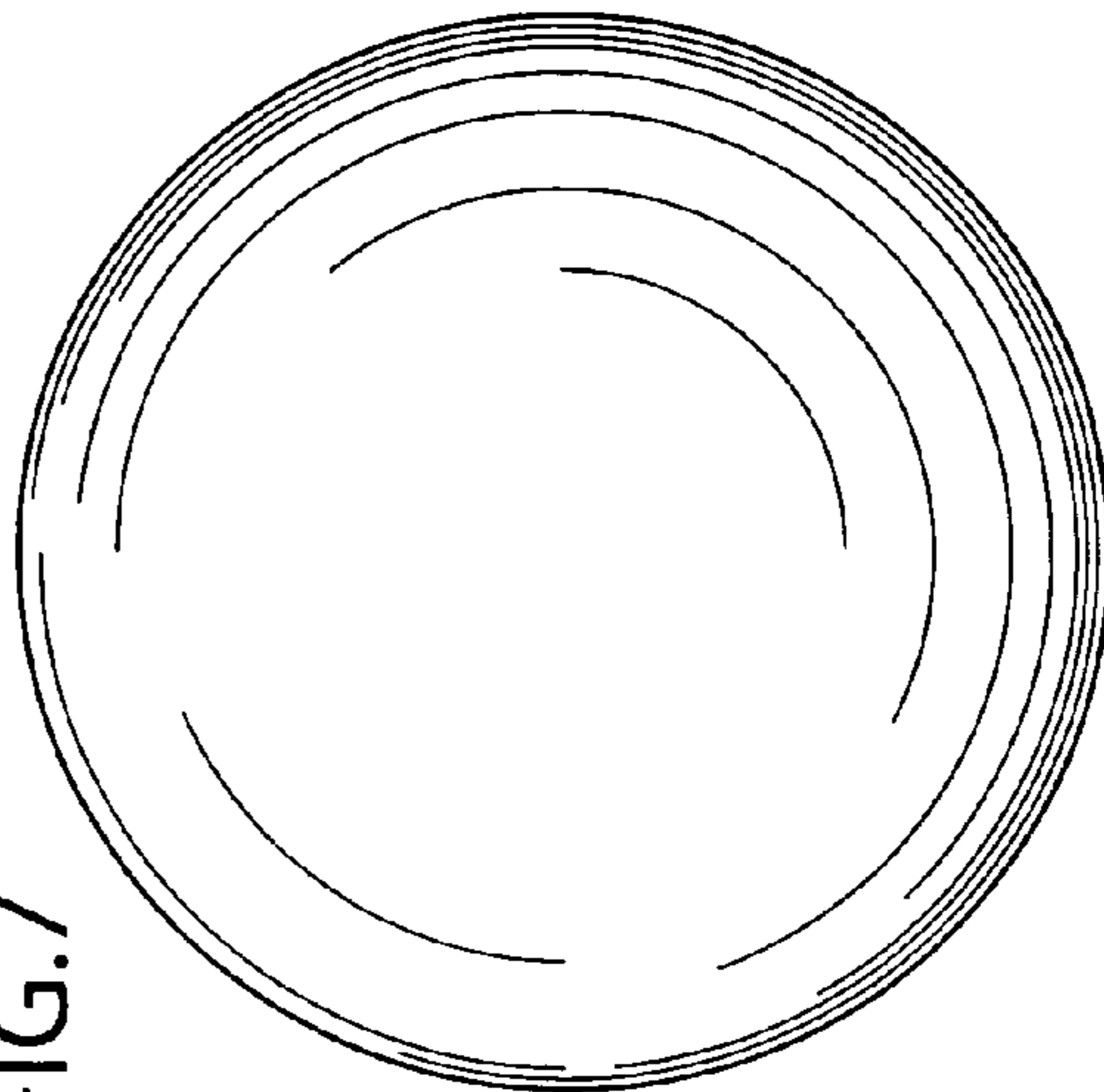


FIG. 7

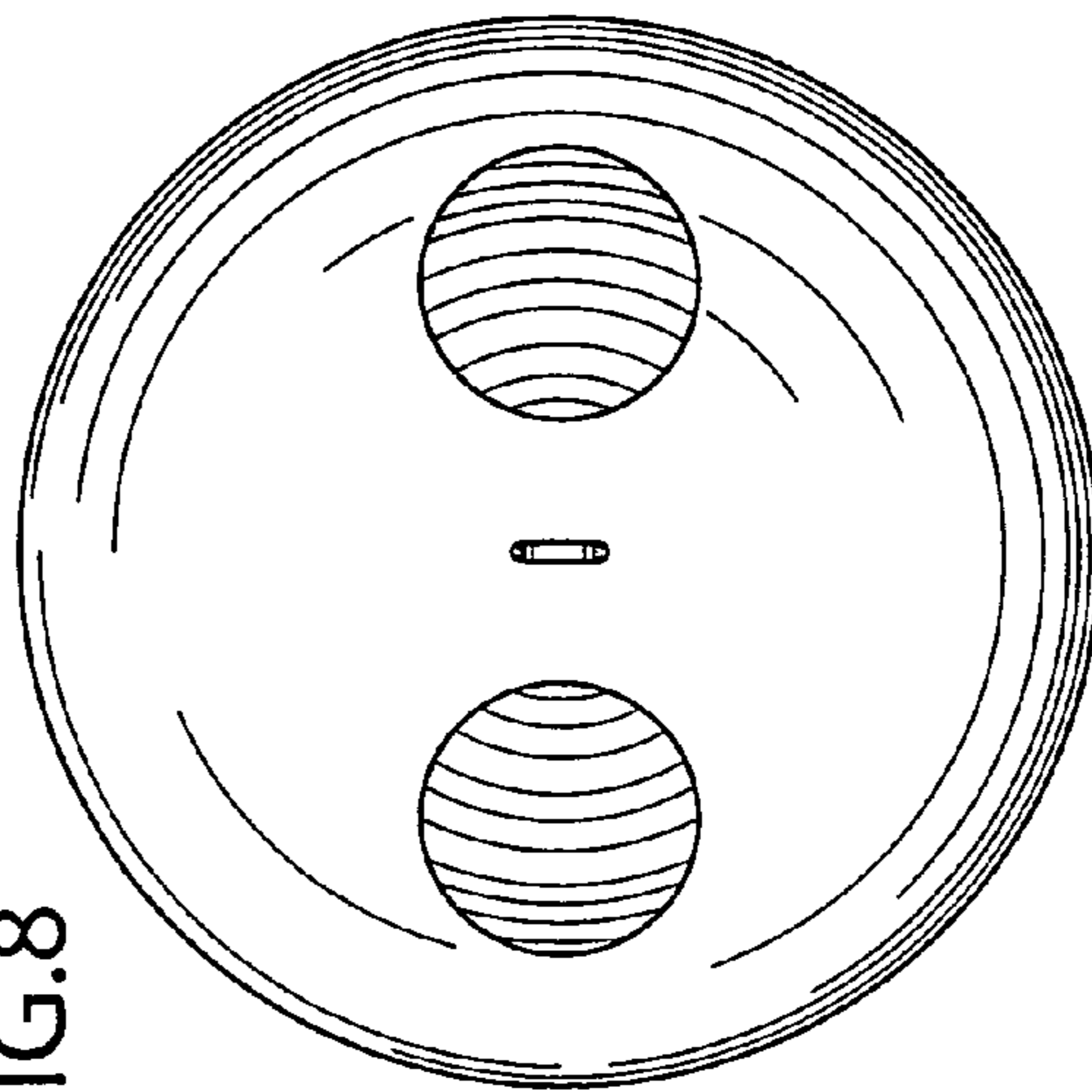


FIG. 8