



US00D603290S

(12) **United States Design Patent**
Daniels

(10) **Patent No.:** **US D603,290 S**

(45) **Date of Patent:** **** Nov. 3, 2009**

(54) **COIN**

(76) Inventor: **Michael Daniels**, P.O. Box 1265,
Springfield, VA (US) 22003

(**) Term: **14 Years**

(21) Appl. No.: **29/337,442**

(22) Filed: **May 21, 2009**

(51) **LOC (9) Cl.** **11-03**

(52) **U.S. Cl.** **D11/95; D11/96**

(58) **Field of Classification Search** D11/1-7,
D11/9, 13-14, 16-17, 26, 40, 42-44, 46,
D11/48-49, 53, 56-58, 61, 66, 69, 74, 76-77,
D11/79, 80-92, 95-101, 103-105, 108, 116,
D11/131; 63/1.11, 1.16, 13, 14.1, 15, 15.1-15.4,
63/18-23, 26-28, 32-33, DIG. 3; D21/390;
D20/10, 29; D8/388; 24/113 MP; 29/522.1;
40/27.5

See application file for complete search history.

(56) **References Cited**

U.S. PATENT DOCUMENTS

768,124 A *	8/1904	Heene	40/27.5
D75,677 S *	7/1928	Chamberlain	D11/99
D91,343 S *	1/1934	Zeiser	D20/10
D136,059 S *	7/1943	Burn et al.	D5/64
2,410,845 A *	11/1946	Snell et al.	194/212
D163,793 S *	7/1951	Creason	D11/105
D203,737 S *	2/1966	Friedman	D99/34
D302,533 S *	8/1989	Hagee	D11/104
D319,414 S *	8/1991	Moore	D11/95

D319,415 S *	8/1991	Johnston	D11/101
D349,865 S *	8/1994	Benhamou	D11/14
D383,702 S *	9/1997	MacDonald	D11/79
6,189,197 B1 *	2/2001	Kim	29/522.1
D449,791 S *	10/2001	Clark	D11/101
D495,617 S *	9/2004	Walters	D11/83
D507,987 S *	8/2005	Davis	D11/95
D518,528 S *	4/2006	Su et al.	D21/390
D520,403 S *	5/2006	Schumacher	D11/99
D556,625 S *	12/2007	Martorano et al.	D11/101
D558,635 S *	1/2008	Glassman et al.	D11/80
D562,717 S *	2/2008	Gonzales	D11/3
D588,488 S *	3/2009	Ellia	D11/13

* cited by examiner

Primary Examiner—Philip S Hyder

Assistant Examiner—Susan E Krakower

(74) *Attorney, Agent, or Firm*—General Counsel, P.C.

(57) **CLAIM**

The ornamental design for a coin, as shown and described.

DESCRIPTION

FIG. 1 is a top, plan view of the coin;

FIG. 2 is an enlarged elevation view of the coin;

FIG. 3 is a perspective view of the coin;

FIG. 4 is an enlarged perspective view of the coin; and,

FIG. 5 is a further enlarged view of the coin portion of FIG. 4 indicated by the broken, dashed lines.

The broken, dotted lines depict a portion of the coin which is no part of the claimed design.

1 Claim, 3 Drawing Sheets

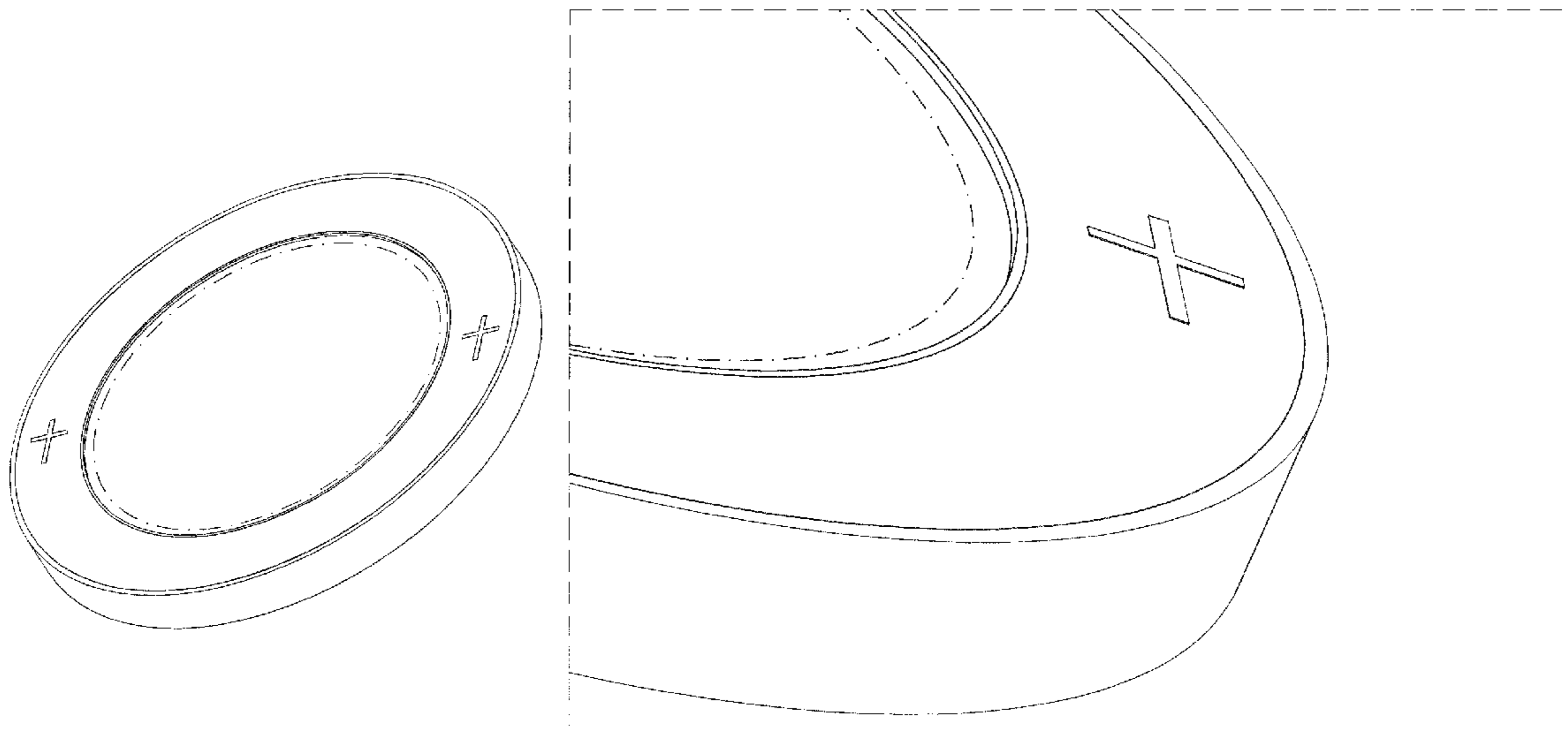


FIG. 1

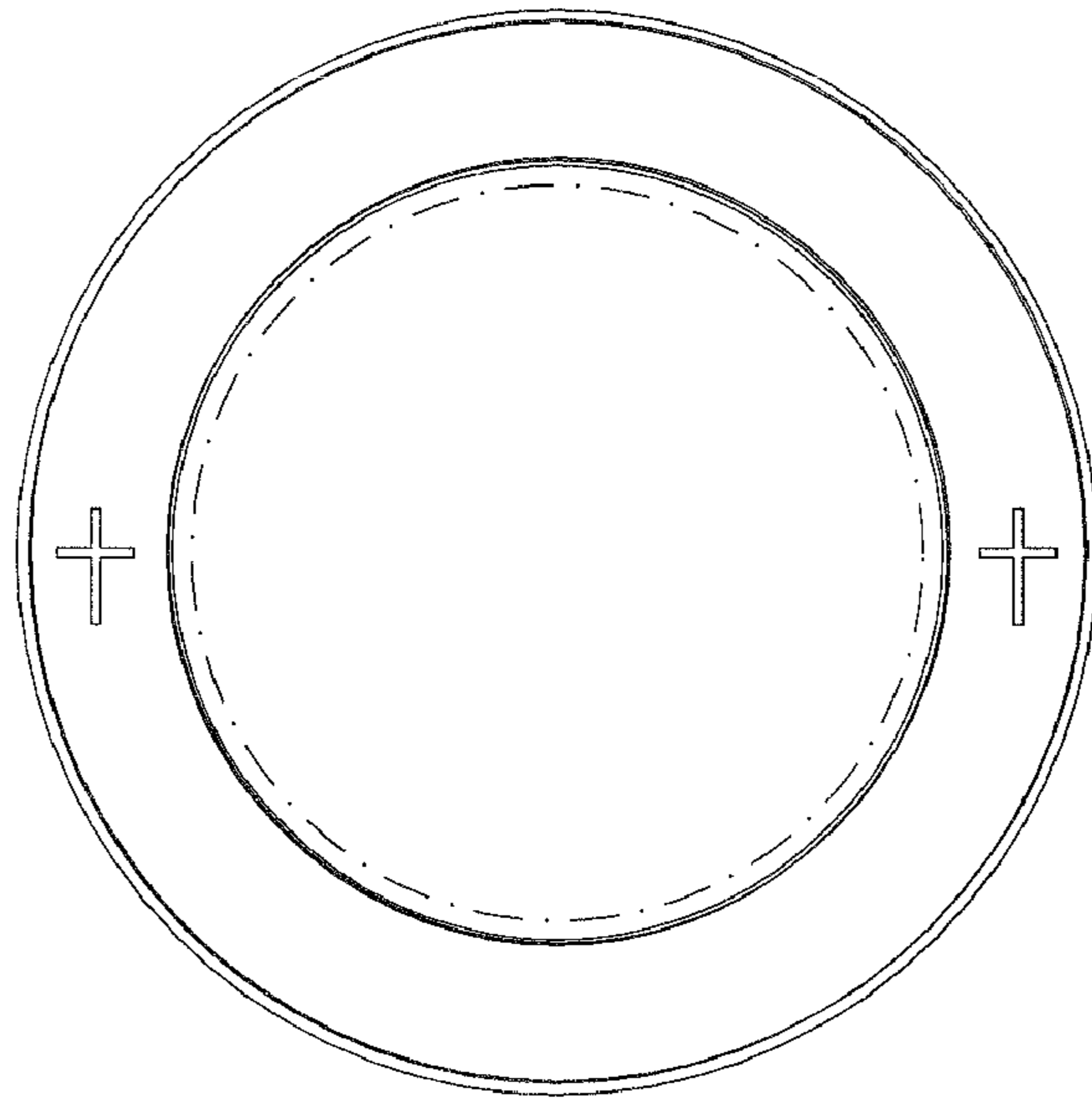


FIG. 2



FIG. 3

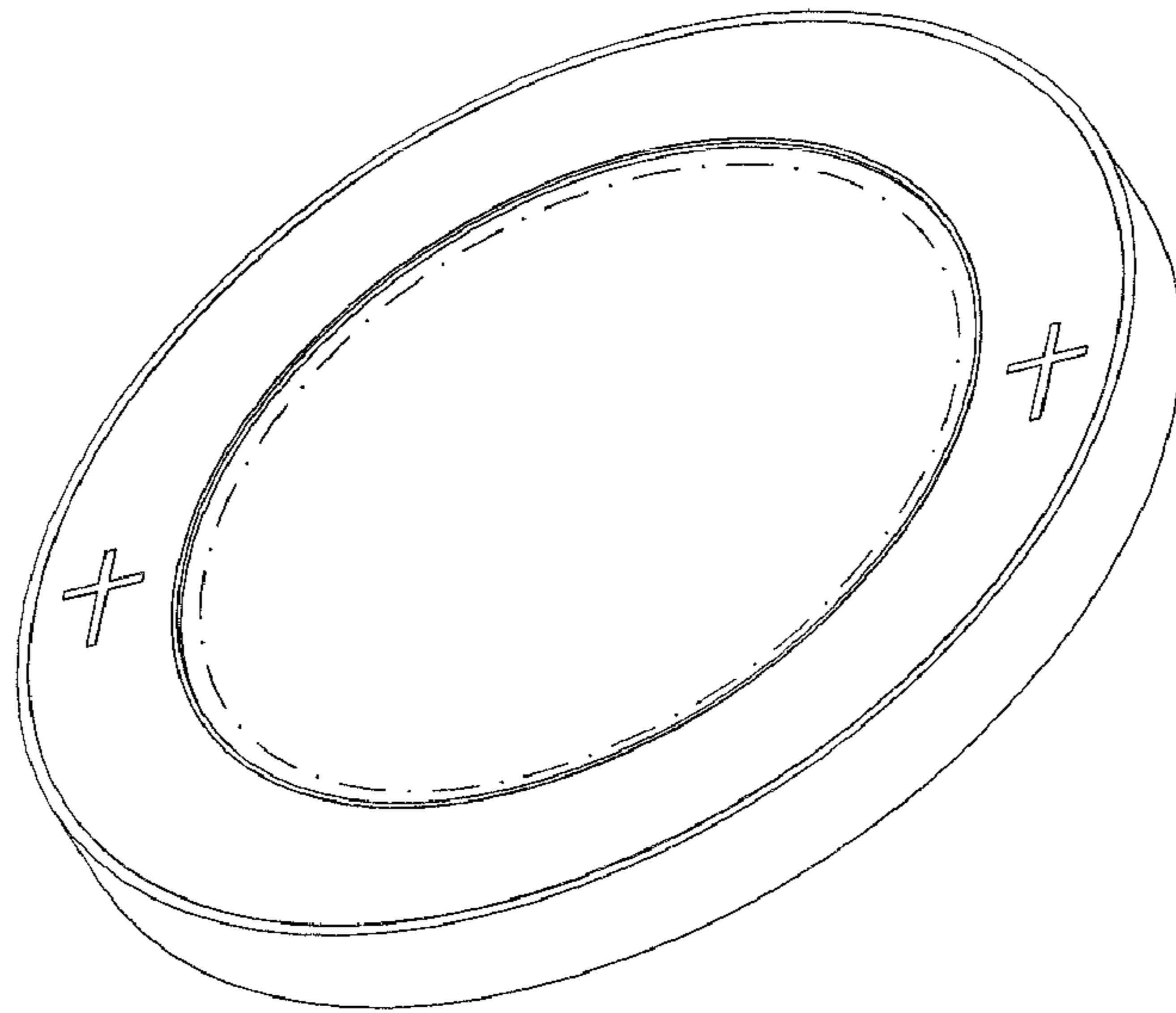


FIG. 4

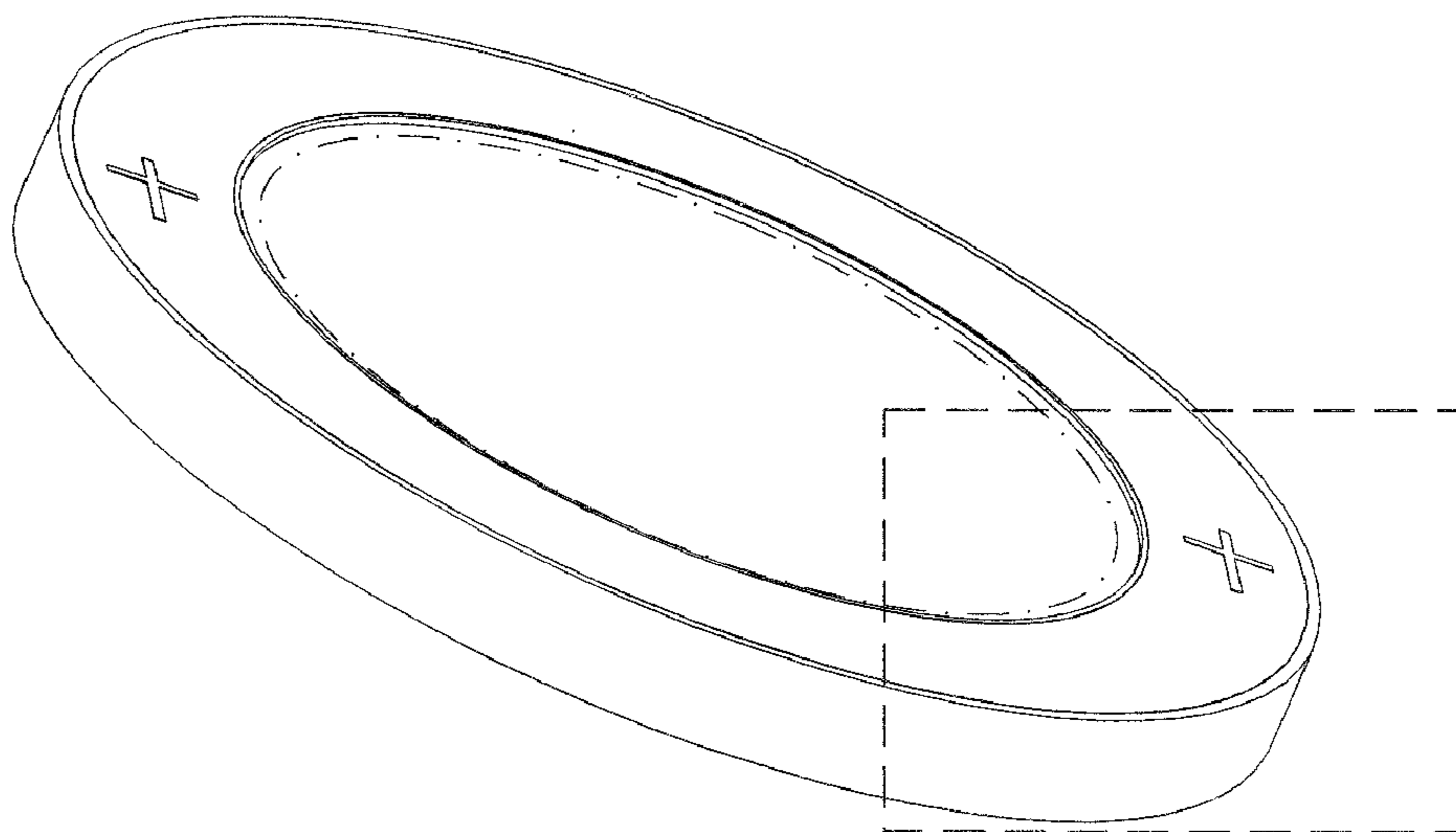


FIG. 5

