

US00D603289S

(12) **United States Design Patent**
Lebail

(10) **Patent No.:** **US D603,289 S**

(45) **Date of Patent:** **** Nov. 3, 2009**

(54) **EARRING**

(75) Inventor: **Wilfrid Lebail**, Villiers Adam (FR)

(73) Assignee: **Cartier Creation Studio SA**, Geneva (CH)

(**) Term: **14 Years**

(21) Appl. No.: **29/332,894**

(22) Filed: **Feb. 27, 2009**

(30) **Foreign Application Priority Data**

Aug. 28, 2008 (EM) 000993597-0003

(51) **LOC (9) Cl.** **11-01**

(52) **U.S. Cl.** **D11/43**

(58) **Field of Classification Search** D11/40-45,
D11/47, 48, 49, 79, 80, 86, 89, 90, 91, 92,
D11/93, 94, 117, 120, 121, 122, 139, 143,
D11/144, 151; 63/3, 3.1, 3.2, 4, 5.1, 7, 10,
63/11, 15, 15.7, 18, 21, 35, 36, 37, 38

See application file for complete search history.

(56) **References Cited**

U.S. PATENT DOCUMENTS

D246,357 S 11/1977 Durante
D256,003 S * 7/1980 Barr D11/43
D326,827 S * 6/1992 Peterson D11/40
D408,754 S 4/1999 Perrin et al.

D485,204 S * 1/2004 Sandberg D11/43
D537,750 S * 3/2007 Allin D11/43
D539,690 S 4/2007 Allin
D542,696 S * 5/2007 Cilluffo D11/40
D549,607 S 8/2007 Mouclier
D550,583 S 9/2007 Karachi-Langane
D555,030 S 11/2007 Hardy
D564,574 S * 3/2008 Andrews D16/330

* cited by examiner

Primary Examiner—Cathron C Brooks

Assistant Examiner—Melanie Levy

(74) *Attorney, Agent, or Firm*—Kalow & Springut, LLP;
Shandaia M. Gooden, Esq.

(57) **CLAIM**

The ornamental design for an earring, as shown and described.

DESCRIPTION

FIG. 1 is a front perspective view of the earring.

FIG. 2 is a front view of the earring.

FIG. 3 is a rear view of the earring.

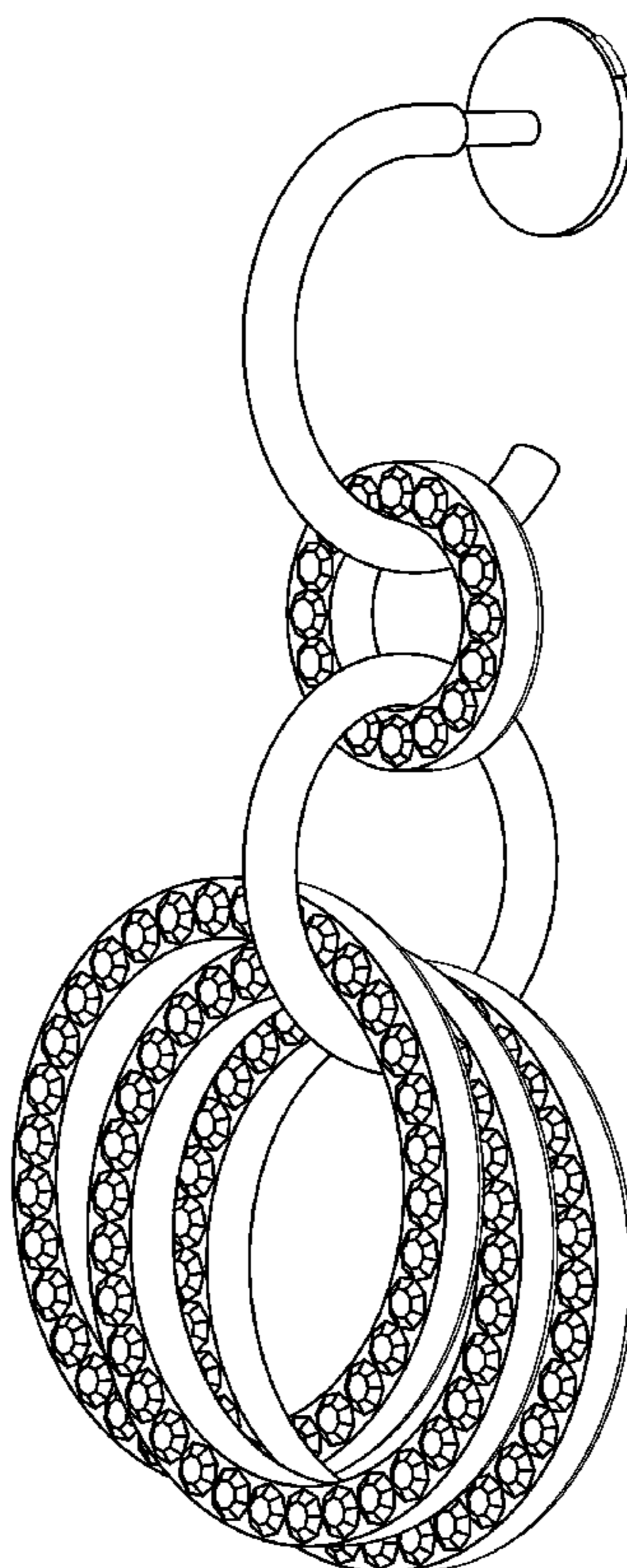
FIG. 4 is a right side view of the earring.

FIG. 5 is a left side view of the earring.

FIG. 6 is a bottom view of the earring; and,

FIG. 7 is a top view of the earring.

1 Claim, 6 Drawing Sheets



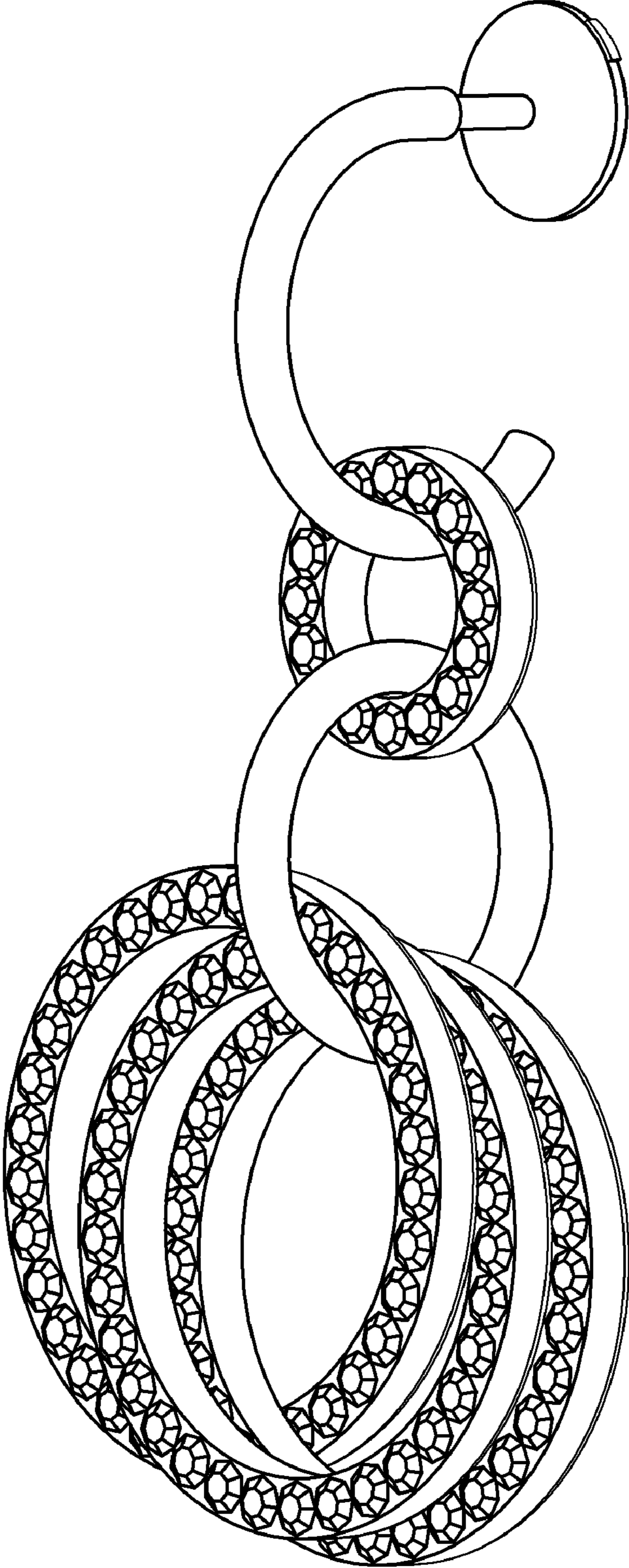


FIG. 1

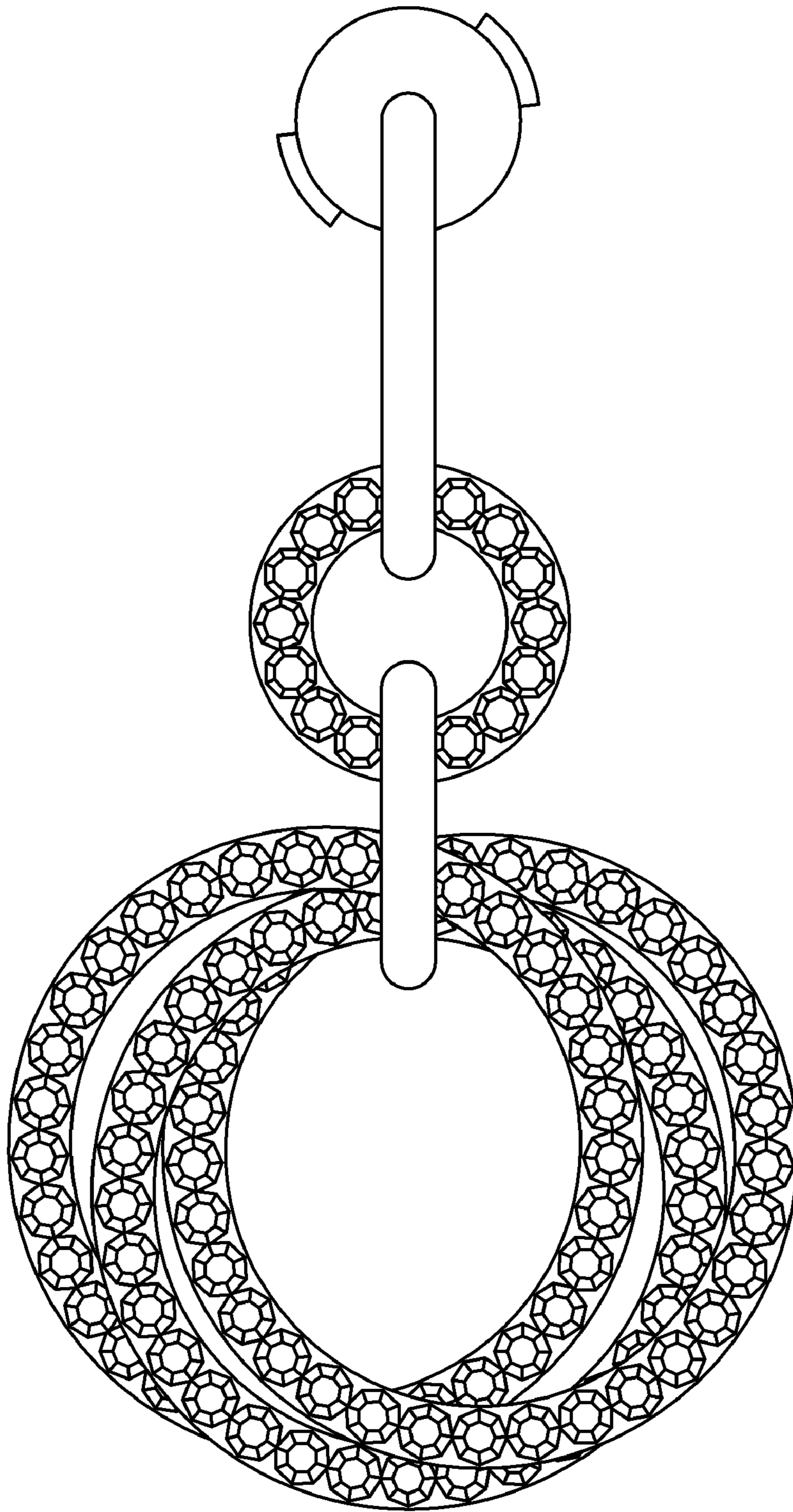


FIG. 2

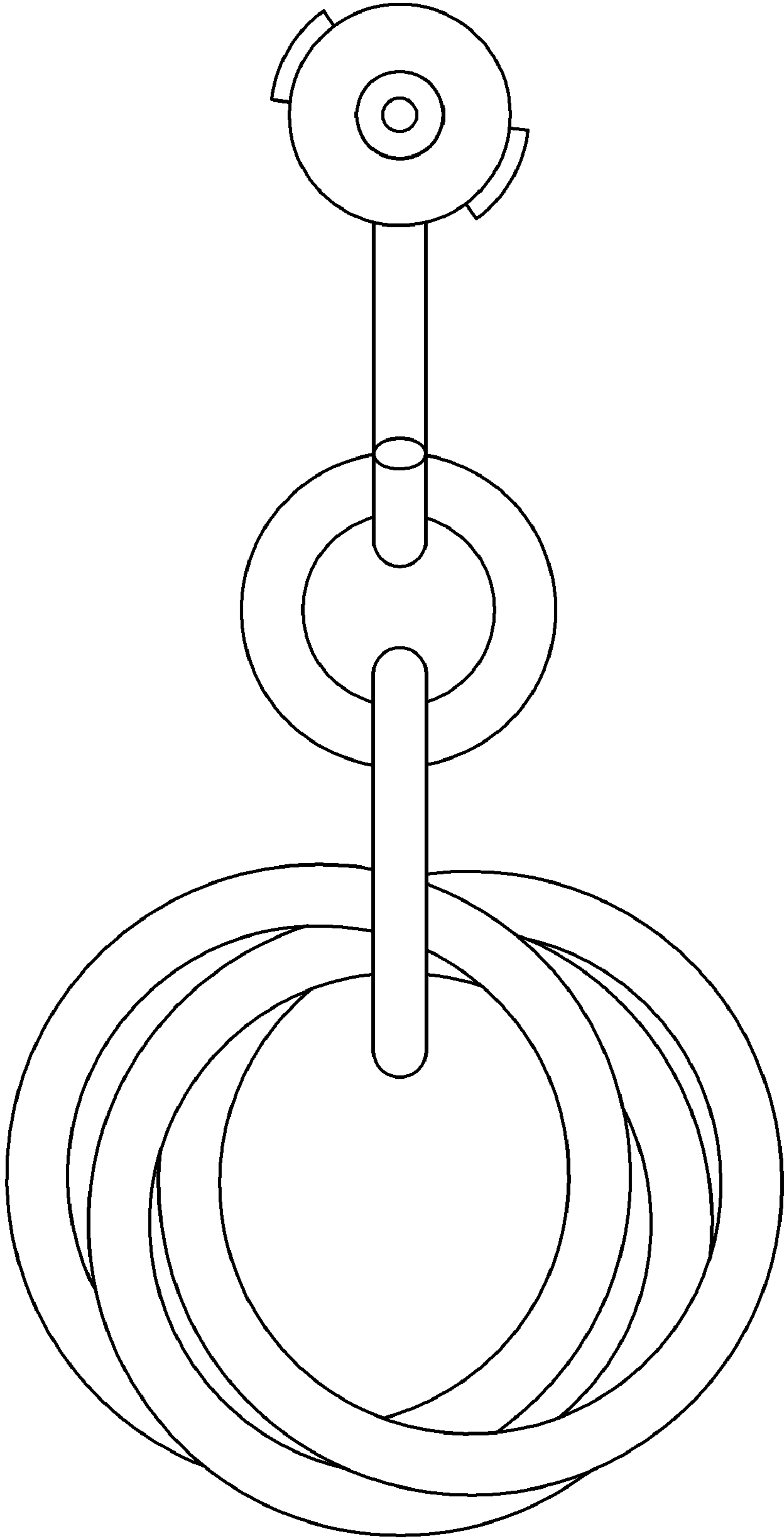


FIG. 3

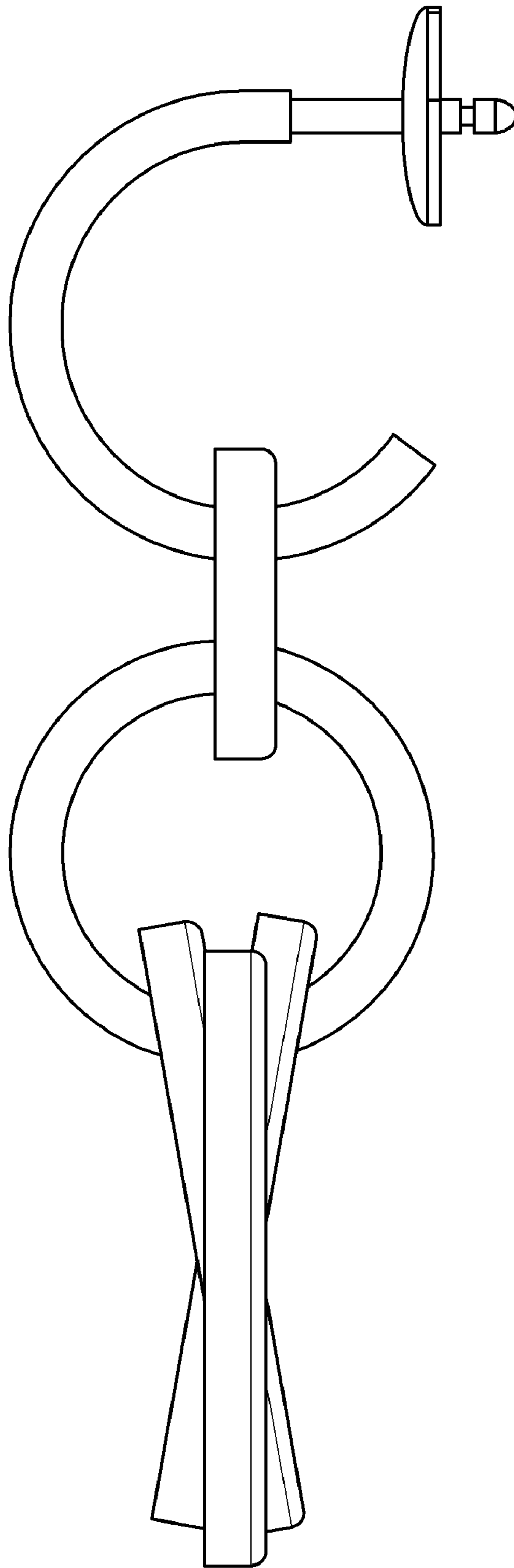


FIG. 4

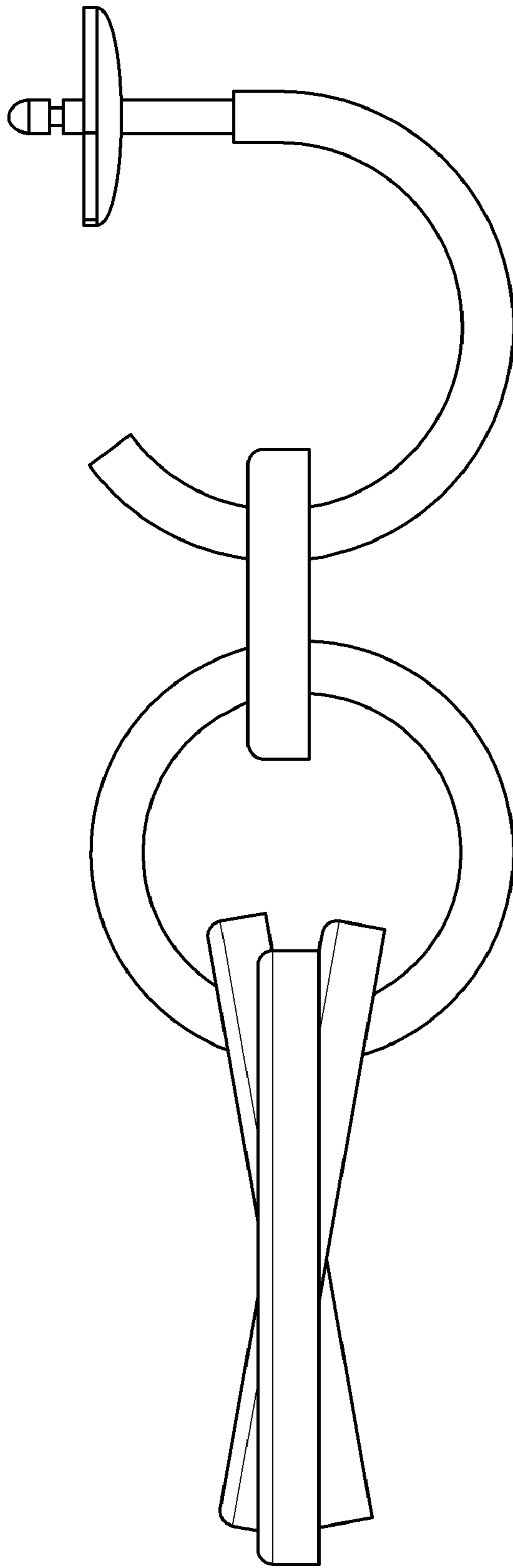


FIG. 5

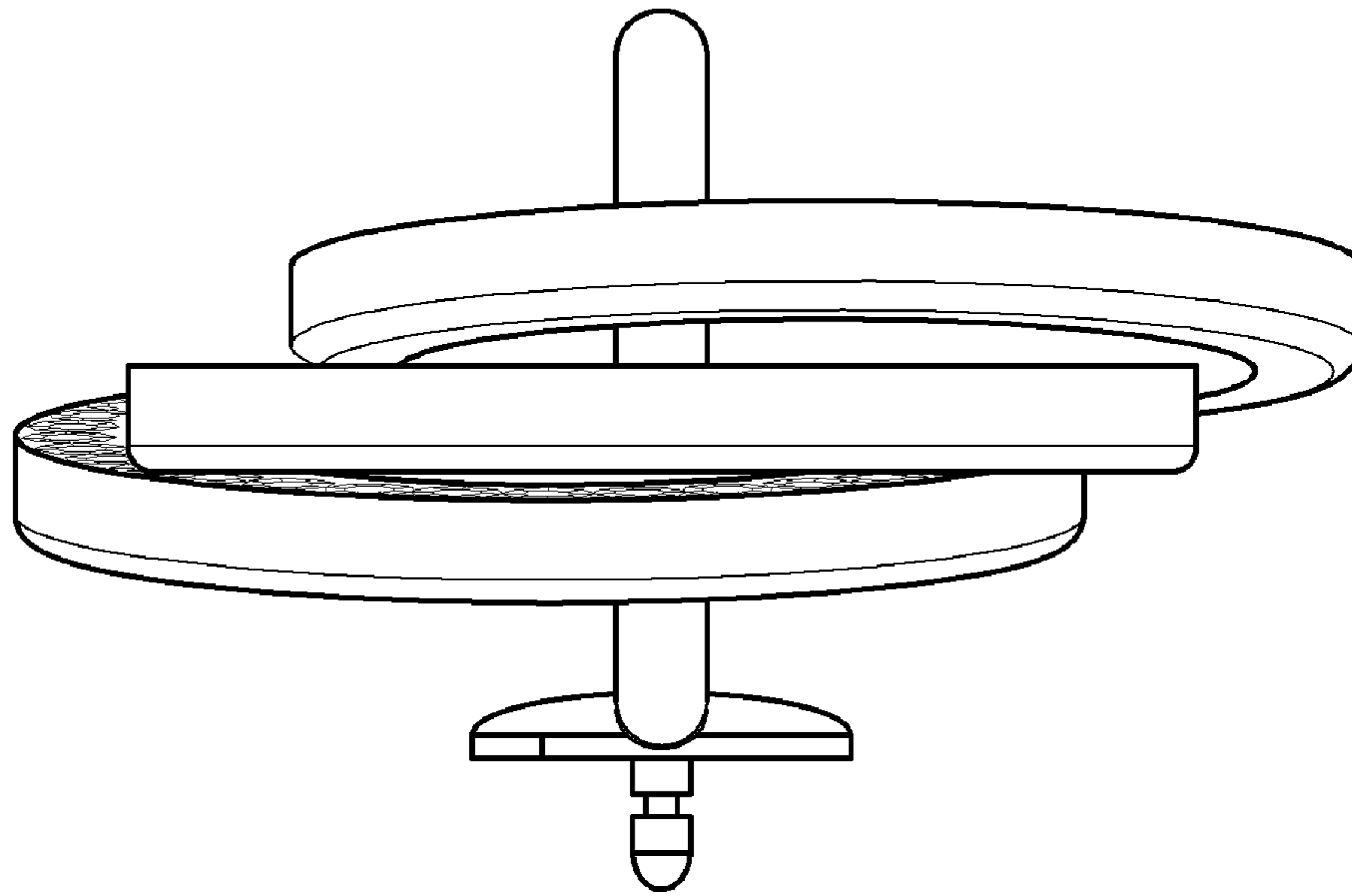


FIG. 6

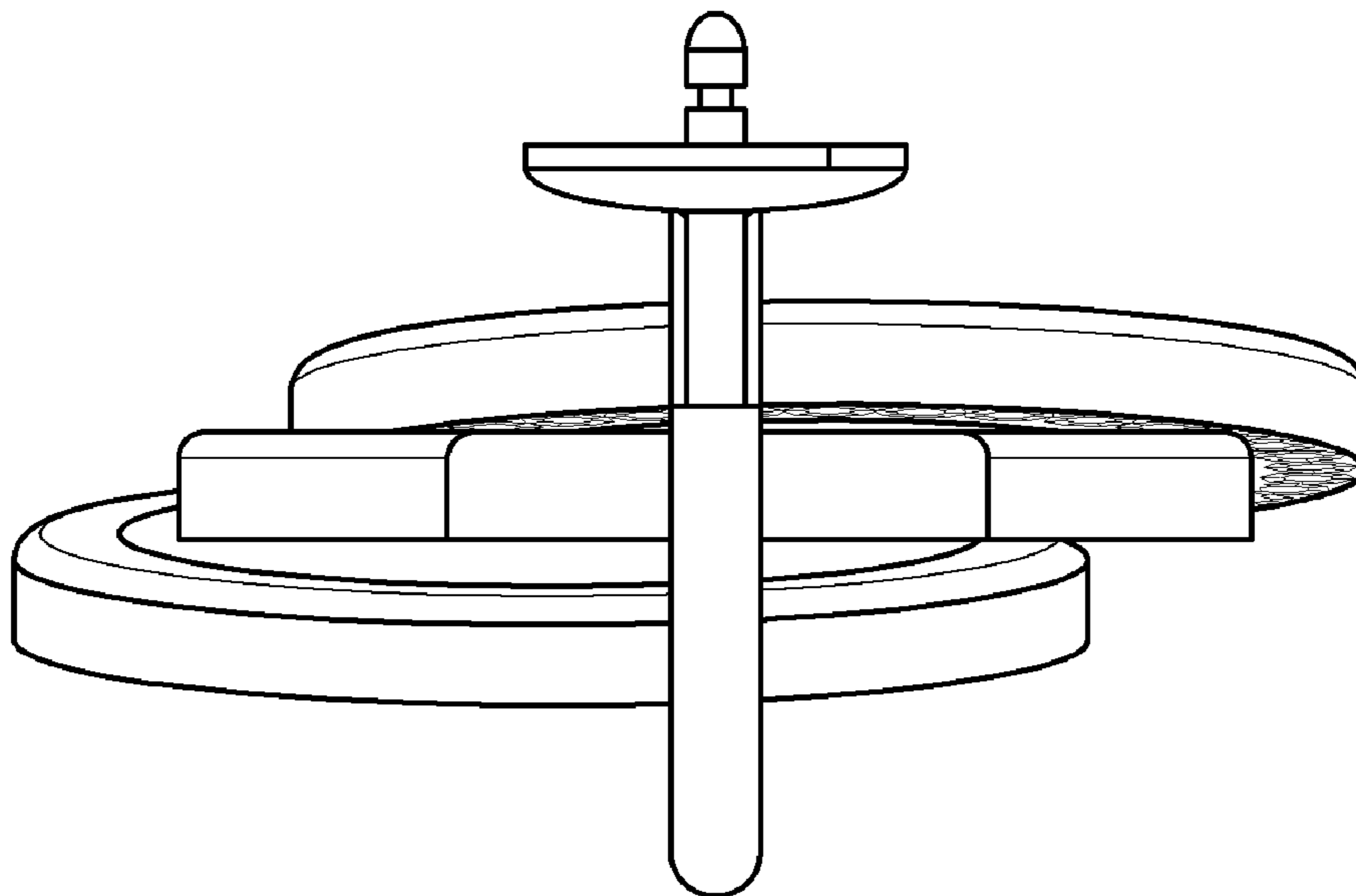


FIG. 7