



US00D603286S

(12) **United States Design Patent**
Lemchen et al.

(10) **Patent No.:** **US D603,286 S**
(45) **Date of Patent:** **** Nov. 3, 2009**

(54) **BRACELET**

(75) Inventors: **Marc S. Lemchen**, New York, NY (US);
Jennifer E. Salzer, New York, NY (US);
Lisa S. Salzer, New York, NY (US)

(73) Assignee: **Limaje LLP**, New York, NY (US)

(**) Term: **14 Years**

(21) Appl. No.: **29/299,486**

(22) Filed: **Dec. 27, 2007**

(51) **LOC (9) Cl.** **11-01**

(52) **U.S. Cl.** **D11/3**

(58) **Field of Classification Search** D11/1-39;
63/3, 1.11, 3.1, 3.2, 5.1, 5.2, 7-11, 15, 15.1-15.4,
63/15.45, 15.5, 15.6; D24/180
See application file for complete search history.

(56) **References Cited**

U.S. PATENT DOCUMENTS

2,322,461	A *	6/1943	Mariano	63/3
D302,588	S *	8/1989	Jones	D24/180
D502,661	S *	3/2005	Rapport	D11/3
D502,662	S *	3/2005	Rapport	D11/3
D503,646	S *	4/2005	Rapport	D11/3

* cited by examiner

Primary Examiner—Cathron C Brooks

Assistant Examiner—Melanie Levy

(74) *Attorney, Agent, or Firm*—Daniel L. Dawes

(57) **CLAIM**

The ornamental design for a bracelet, as shown and described in the figures.

DESCRIPTION

FIG. 1 is a perspective view of a bracelet of the present invention labeled for ease of orientation;

FIG. 2 is a plan elevational view of the front side bracelet of FIG. 1, showing the front side of the bracelet and behind that, the inside view of the opposing back side of the bracelet.

FIG. 3 is a side view of the right side of the bracelet of FIG. 1.

FIG. 4 is a top view of the bracelet of FIG. 1.

FIG. 5 is a side view of the left side of the bracelet of FIG. 1.

FIG. 6 is a plan elevational view of the back side of the bracelet of FIG. 1, showing the back side of the bracelet and behind that, the inside view of the opposing front side of the bracelet.

FIG. 7 is a bottom view of the bracelet of FIG. 1.

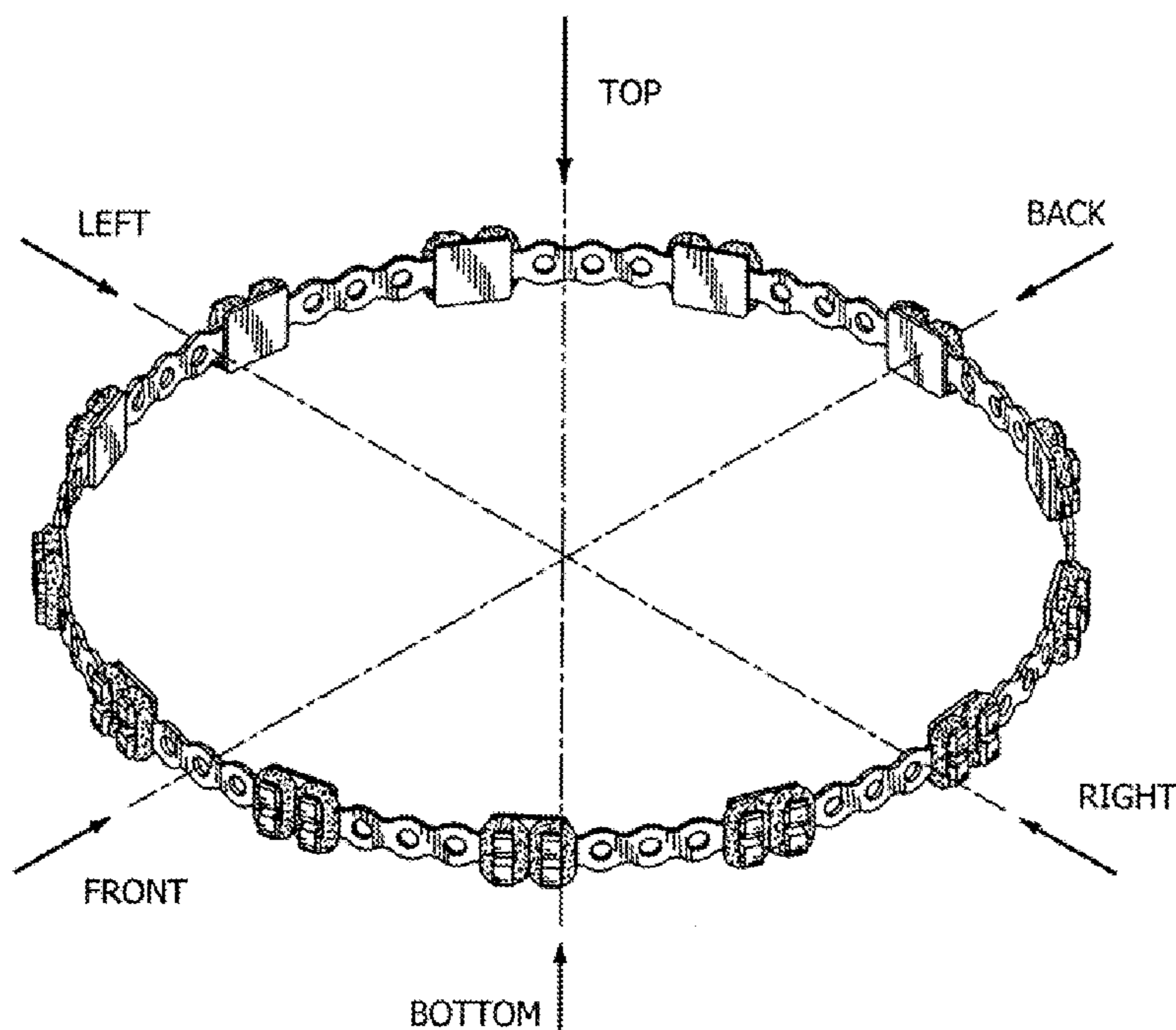
FIG. 8 is a perspective view of the bracelet similar to FIG. 1 in which a portion has been identified by a circled portion 9.

FIG. 9 is an enlarged perspective view of a bracket coupled to the loop as shown in the circled portion 9 of FIG. 8.

FIG. 10 is an exploded perspective view of the bracket and loop portion of FIG. 9; and,

FIG. 11 is a perspective view of the bracelet similar to FIG. 1, except that the loop has been turned inside out as compared to FIG. 1 thereby exposing the bases of the brackets to the outside of the bracelet instead of the rings and hooks of the brackets.

1 Claim, 5 Drawing Sheets



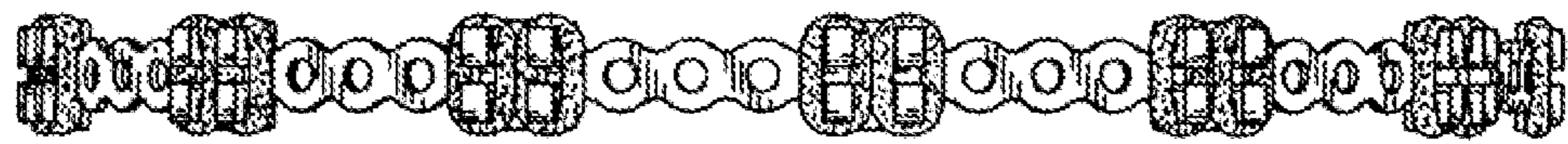
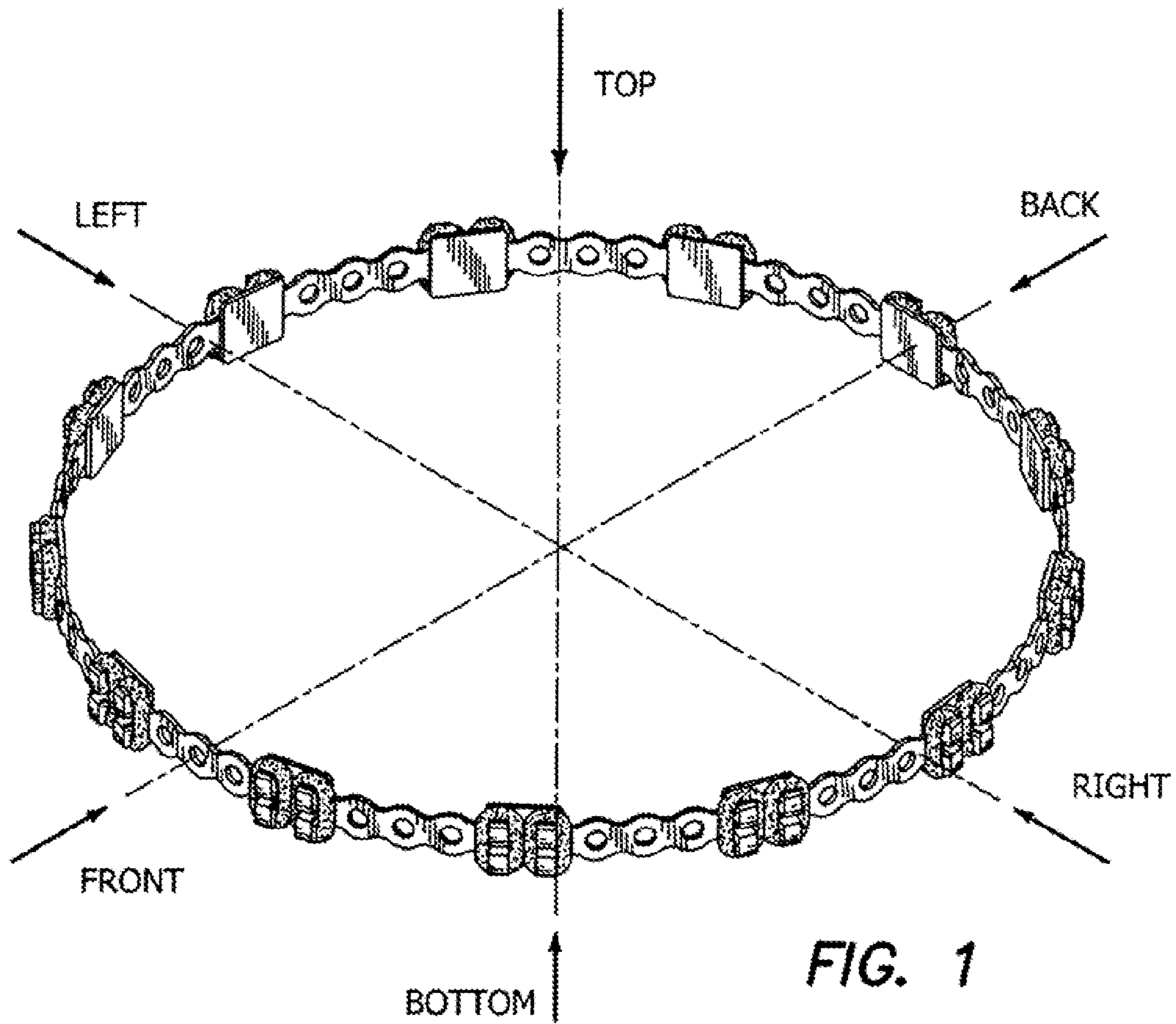


FIG. 3



FIG. 5



FIG. 2

FIG. 4

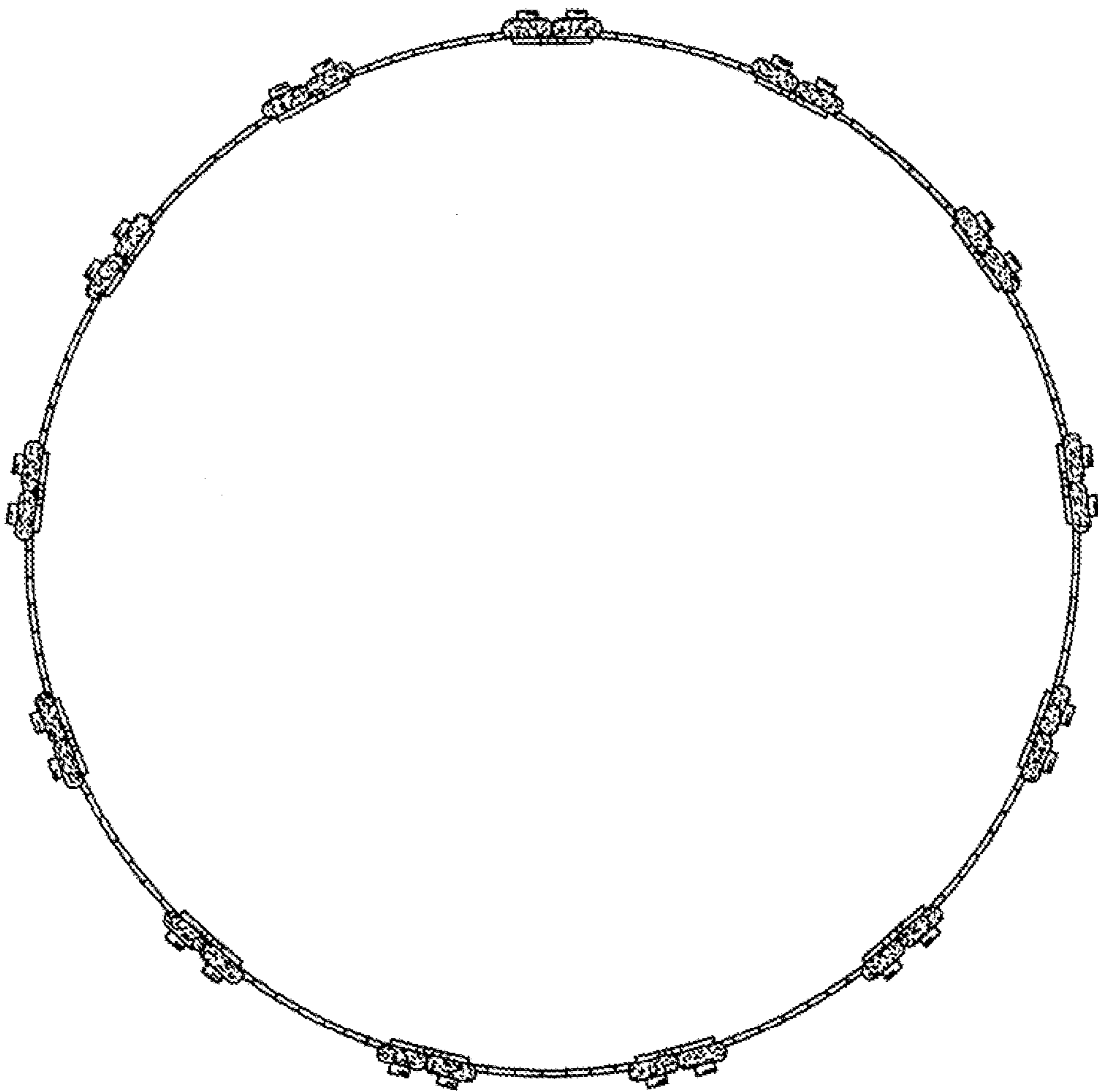




FIG. 6

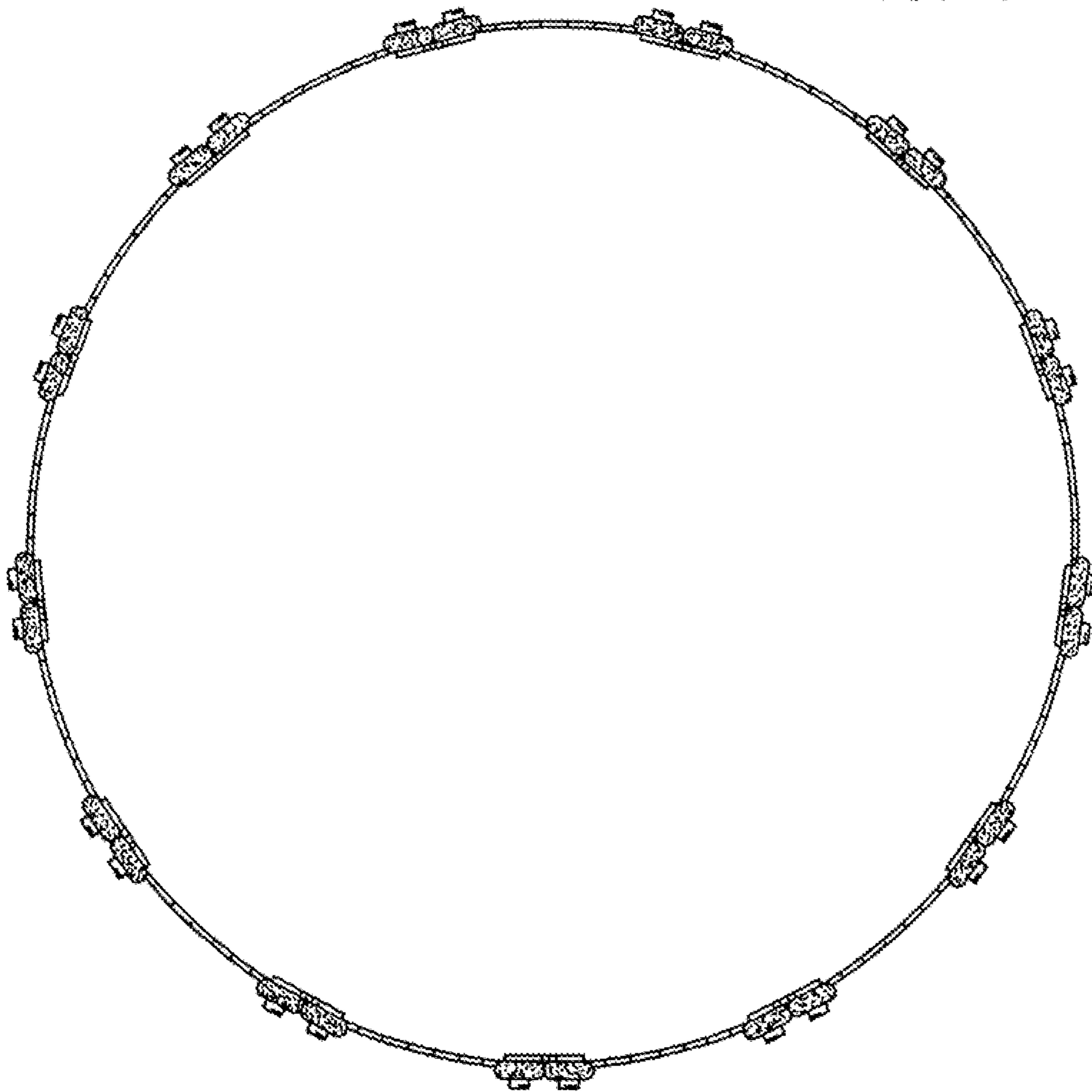
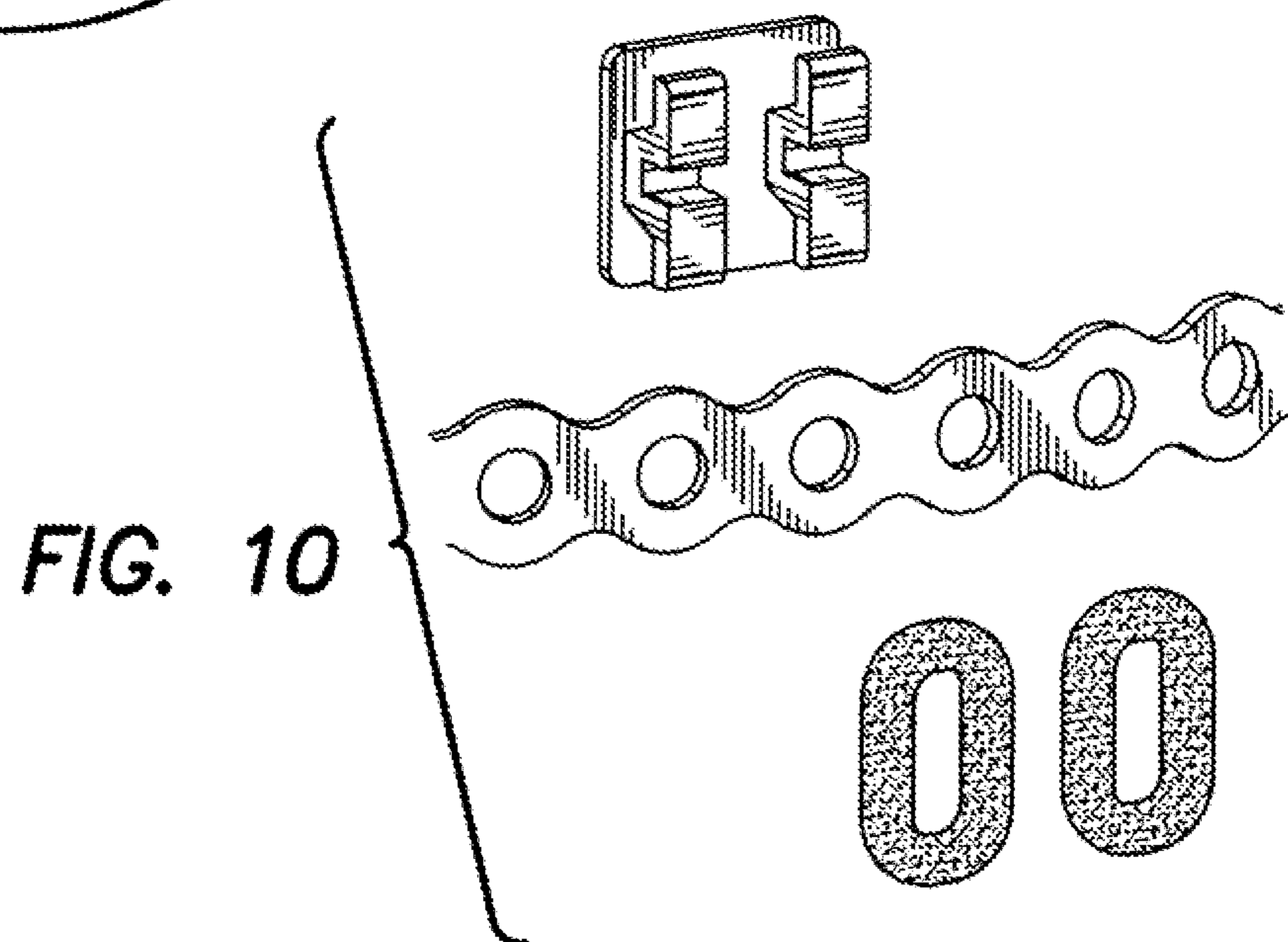
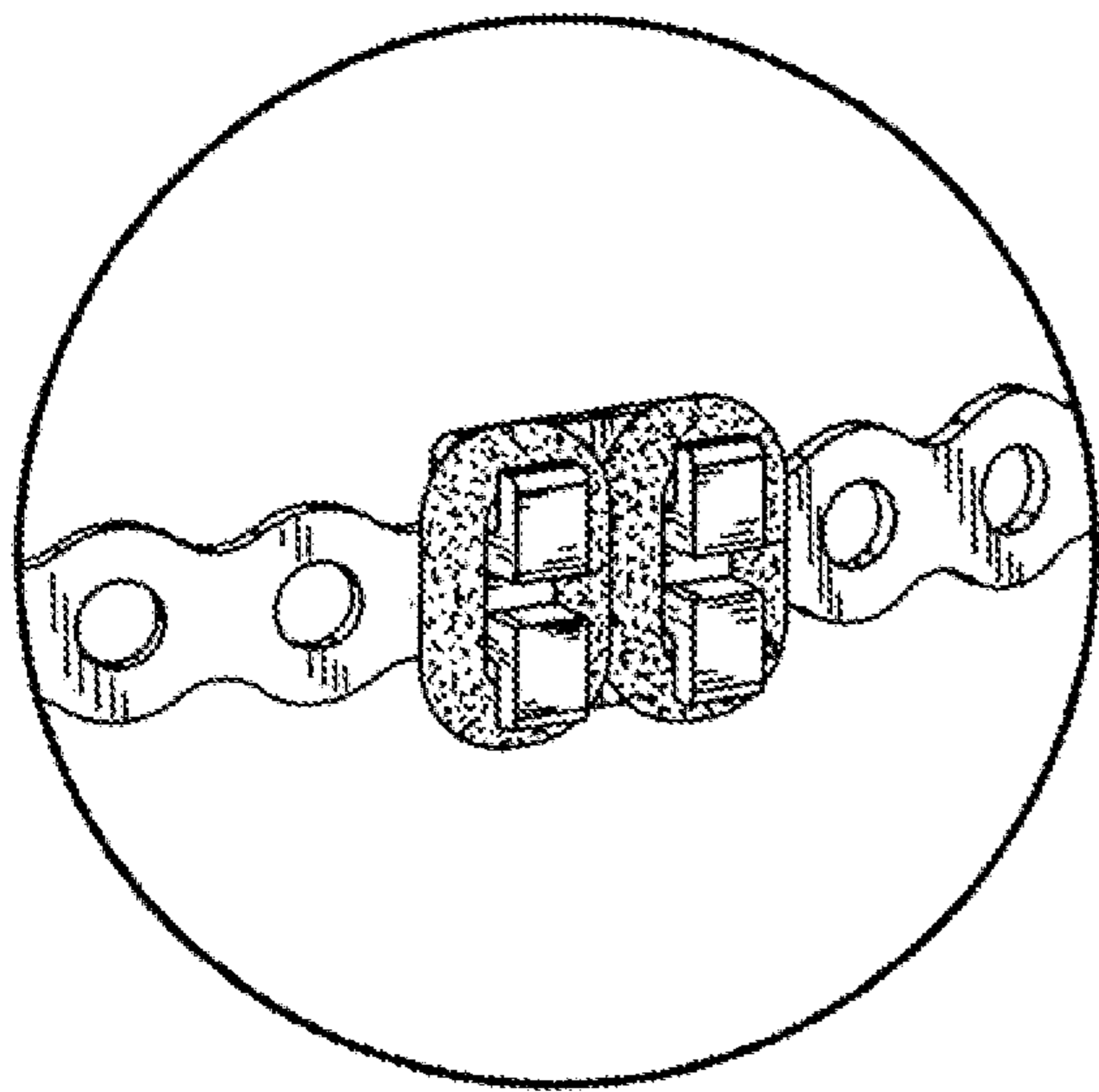
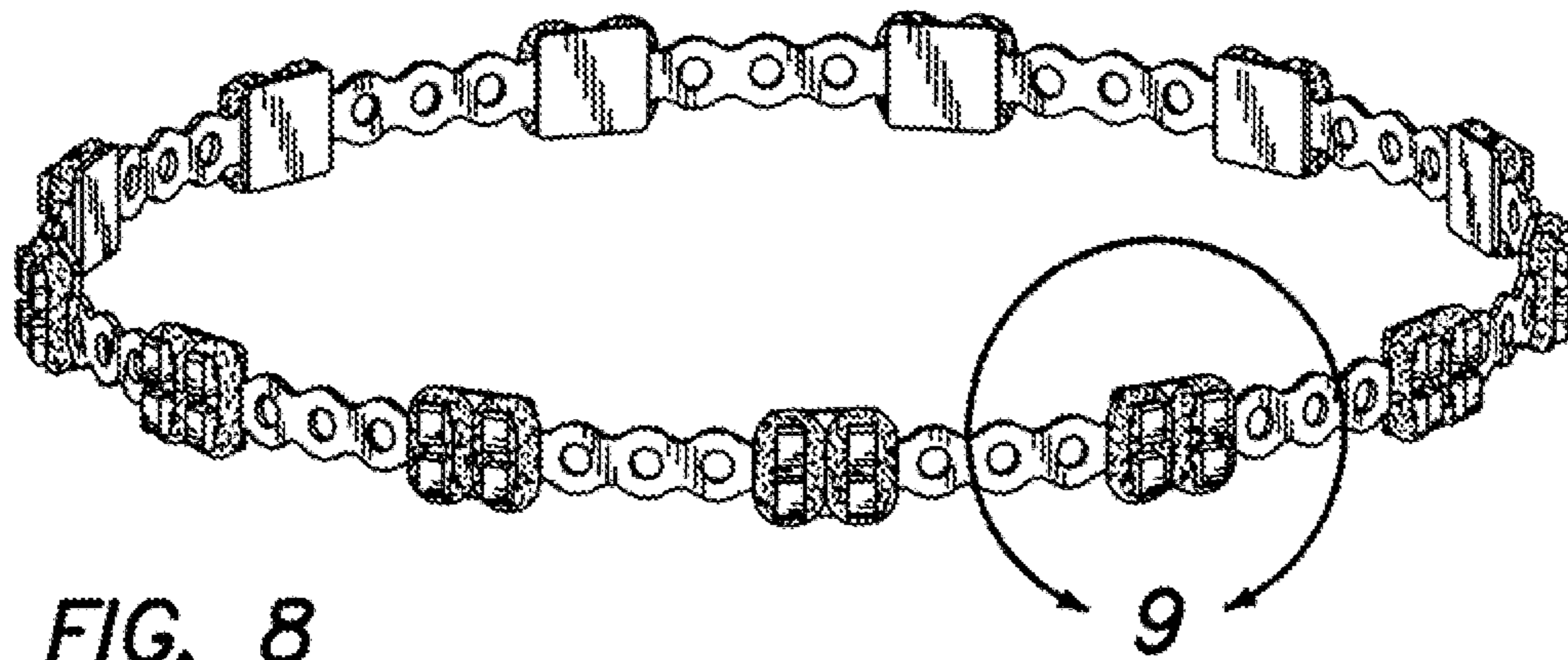


FIG. 7



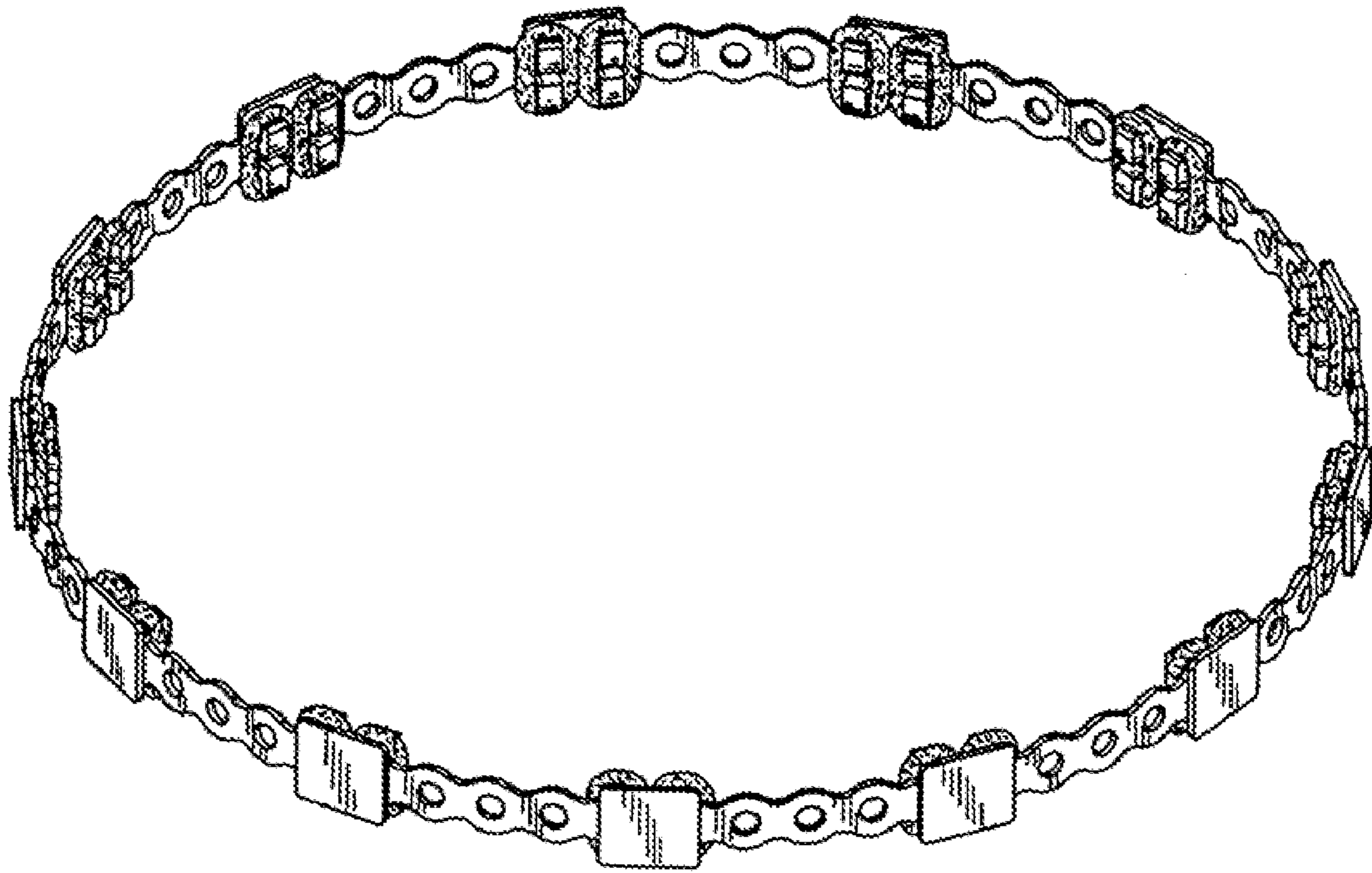


FIG. 11