



US00D603285S

(12) **United States Design Patent**
Flett

(10) **Patent No.:** **US D603,285 S**
(45) **Date of Patent:** **** Nov. 3, 2009**

(54) **ENHANCED HIGH VISIBILITY HAND HELD STOP SIGN**

6,796,062 B1 9/2004 DeKoevend
7,343,704 B1 3/2008 Wilson

* cited by examiner

(76) **Inventor:** **Norm Flett**, 539 Dahouse Ct., Thunder Bay, Ontario (CA) P7C 5N9

Primary Examiner—Caron Veynar

Assistant Examiner—George D Kirschbaum

(**) **Term:** **14 Years**

(74) *Attorney, Agent, or Firm*—Luca D’Ottone; KB Patents

(21) **Appl. No.:** **29/335,313**

(57) **CLAIM**

(22) **Filed:** **May 7, 2009**

I claim, the ornamental design for an enhanced high visibility hand held stop sign, as shown and described.

(51) **LOC (9) Cl.** **10-05**

(52) **U.S. Cl.** **D10/114; D10/109**

(58) **Field of Classification Search** D10/109,
D10/113, 114; 116/63 P, 63 C, 63 R, 63 T,
116/28 R, 209; 404/4–16; 40/612

DESCRIPTION

See application file for complete search history.

FIG. 1 is a perspective front view of the decorative enhanced high visibility hand held stop sign of the present application

FIG. 2 is a perspective rear view of the decorative enhanced high visibility hand held stop sign of the present application

FIG. 3 is a front view of the decorative enhanced high visibility hand held stop sign of the present application

FIG. 4 is a right side view of the decorative enhanced high visibility hand held stop sign of the present application

FIG. 5 is a left side view of the decorative enhanced high visibility hand held stop sign of the present application

FIG. 6 is a top view of the decorative enhanced high visibility hand held stop sign of the present application

FIG. 7 is a rear view of the decorative enhanced high visibility hand held stop sign of the present application; and,

FIG. 8 is a back view of the decorative enhanced high visibility hand held stop sign of the present application.

(56) **References Cited**

U.S. PATENT DOCUMENTS

D330,686 S *	11/1992	Campagna	D10/109
D351,807 S *	10/1994	Smith et al.	D10/109
D382,218 S *	8/1997	Hall	D10/109
D405,377 S *	2/1999	Davis	D10/109
D423,391 S *	4/2000	Hansen	D10/114
6,054,932 A	4/2000	Gartner		
6,099,933 A	8/2000	Lamparter		
6,150,957 A	11/2000	Henz		
6,266,903 B1	7/2001	Collins		
D456,731 S *	5/2002	Stockman	D10/109
6,515,583 B1	2/2003	Lamparter		

1 Claim, 8 Drawing Sheets

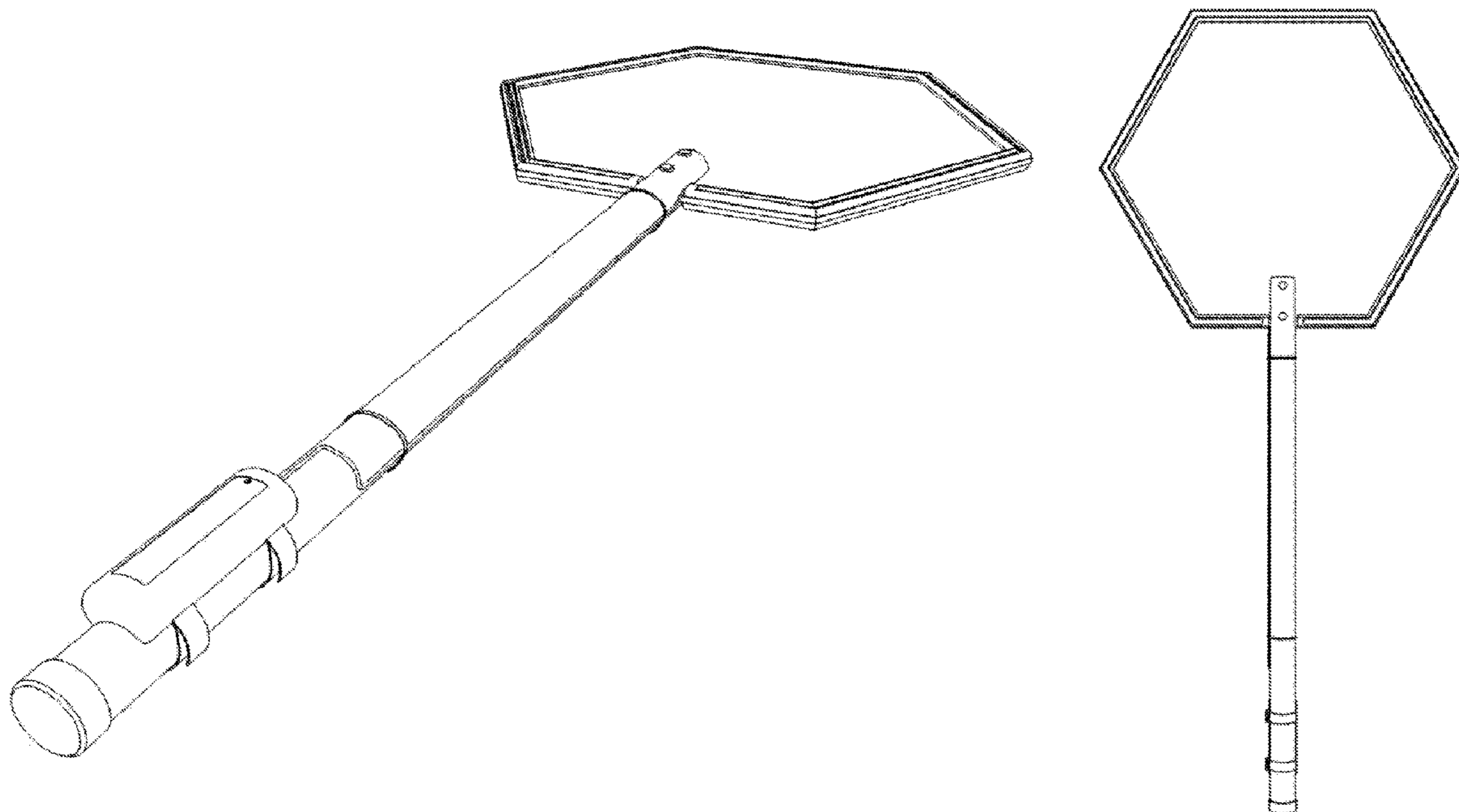


FIG. 1

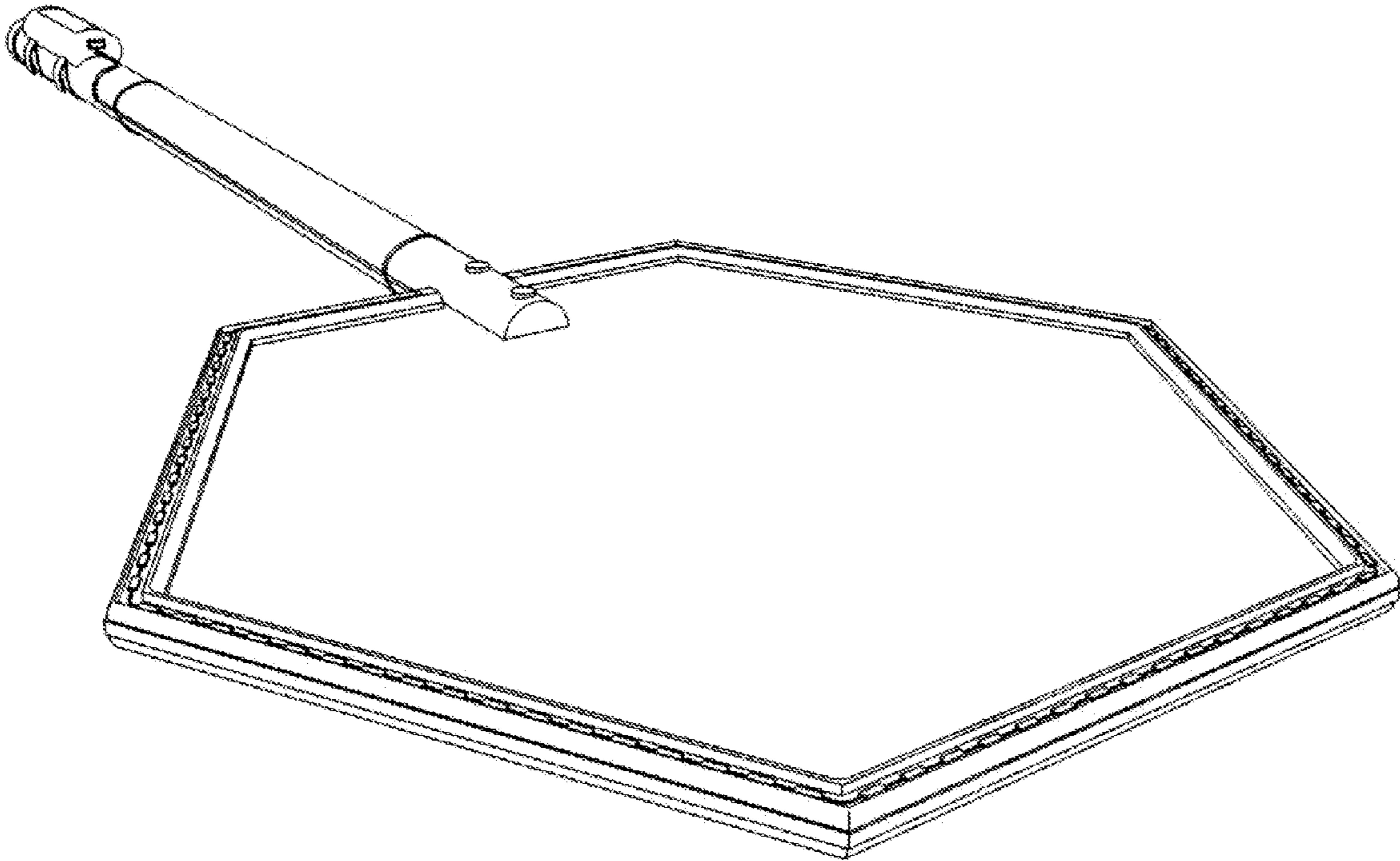


FIG. 2

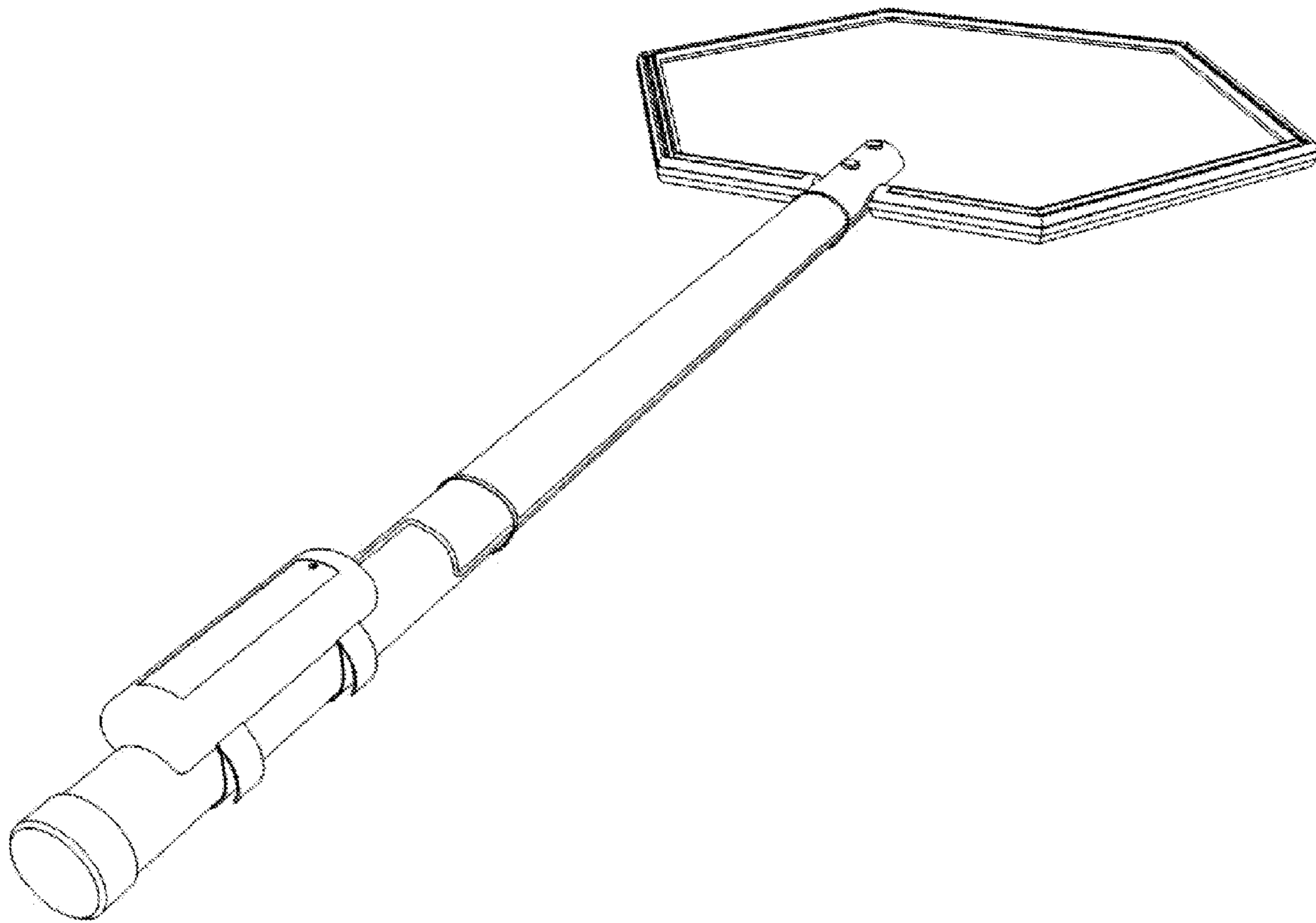


FIG. 3

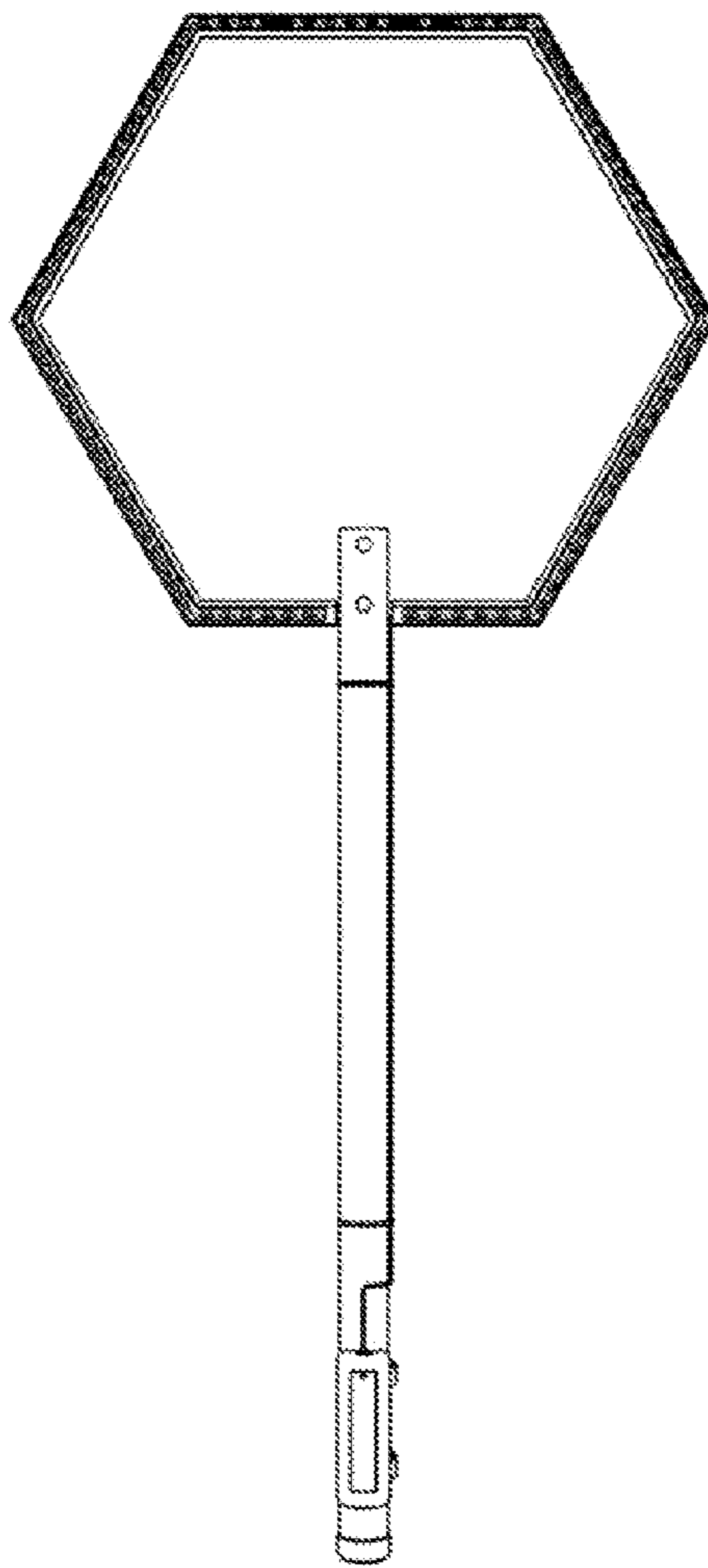


FIG. 4



FIG. 5

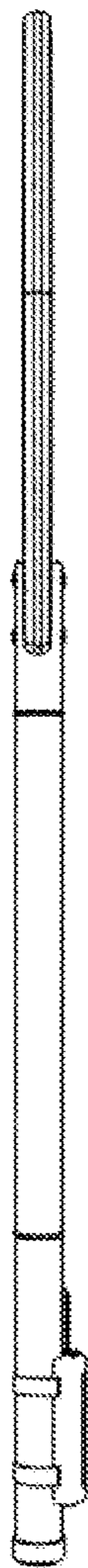


FIG. 6



FIG. 7

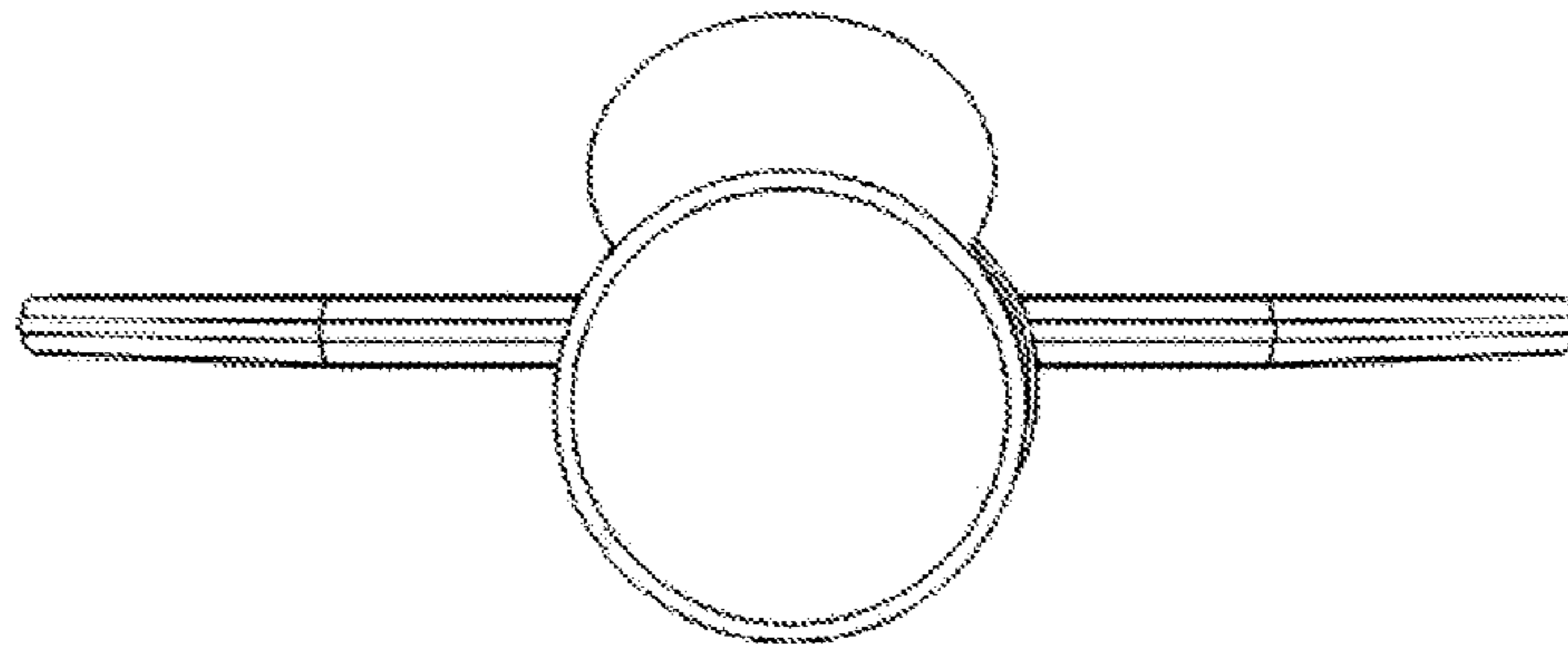


FIG. 8

