



US00D603284S

(12) **United States Design Patent**  
**Sloan et al.**

(10) **Patent No.:** **US D603,284 S**  
(45) **Date of Patent:** **\*\* Nov. 3, 2009**

(54) **OCCUPANCY SENSOR**

2007/0230142 A1\* 10/2007 Engel et al. .... 361/748

(75) Inventors: **Greg Edward Sloan**, Allentown, PA (US); **Andrew Peter Schmalz**, Macungie, PA (US); **Gregory Altonen**, Easton, PA (US); **Elliot G. Jacoby**, Glenside, PA (US)

(73) Assignee: **Lutron Electronics Co., Inc.**, Coopersburg, PA (US)

(\*\*) Term: **14 Years**

(21) Appl. No.: **29/332,128**

(22) Filed: **Feb. 10, 2009**

(51) **LOC (9) Cl.** ..... **10-05**

(52) **U.S. Cl.** ..... **D10/106**

(58) **Field of Classification Search** ..... D10/104,  
D10/106; 340/521, 540, 541, 542, 543, 544,  
340/545, 555, 556, 558, 571, 572, 573; 392/423;  
134/21; 362/276; 428/192

See application file for complete search history.

(56) **References Cited**

**U.S. PATENT DOCUMENTS**

D308,647 S	6/1990	Mayo	
D354,925 S *	1/1995	Eggers et al.	D10/106
D360,156 S *	7/1995	Fenne	D10/106
D360,842 S	8/1995	Hu	
D374,189 S *	10/1996	Hubben	D10/106
D399,157 S *	10/1998	Hsu et al.	D10/106
D401,175 S	11/1998	Bender et al.	
D404,325 S	1/1999	Bender et al.	
D404,326 S	1/1999	Bender et al.	
6,222,191 B1 *	4/2001	Myron et al.	250/353
6,388,399 B1	5/2002	Eckel et al.	
D494,235 S	8/2004	Edwards	
D561,630 S *	2/2008	Bandringa et al.	D10/106
7,411,489 B1 *	8/2008	Elwell et al.	340/501
D588,484 S *	3/2009	Bandringa et al.	D10/104

**OTHER PUBLICATIONS**

Lutron Electronics Co., Inc., Occupancy Sensor Quick Reference Guide, Apr. 2006, 4 pages.

Lutron Electronics Co., Inc., LOS-CIR Series Infrared Ceiling Mount Sensor Specification Submittal Sheet, Sep. 4, 2008, 7 sheets.

Lutron Electronics Co., Inc., MW-PS-WH microPS Daylight Sensor Specification Submittal Sheet, Apr. 1, 2004, 4 sheets.

The Watt Stopper, CI-200 Version 2 360° PIR Occupancy Sensor Installation Instructions, Sep. 1999, 8 sheets.

Sensor Switch, Inc., CM-9 Series Standard Range Ceiling Mount Sensor Specification Sheet, Jun. 9, 2006, 2 sheets.

Visonic Ltd, Duo 240 Ceiling-Mount Dual Technology Intrusion Detector Installation Instructions, Jul. 2008, 4 pages.

Visonic Ltd, Disc Ceiling Mount PIR Detector, Apr. 2008, 2 pages. U.S. Appl. No. 29/322,082, filed Jul. 29, 2008, Sloan.

\* cited by examiner

*Primary Examiner*—Caron Veynar

*Assistant Examiner*—George D Kirschbaum

(74) *Attorney, Agent, or Firm*—Mark E. Rose; Philip N. Smith; Bridget L. McDonough

(57) **CLAIM**

We claim the ornamental design for an occupancy sensor, as shown and described.

**DESCRIPTION**

FIG. 1 is a perspective view of an occupancy sensor according to our new design.

FIG. 2 is a front view thereof.

FIG. 3 is a left side view thereof.

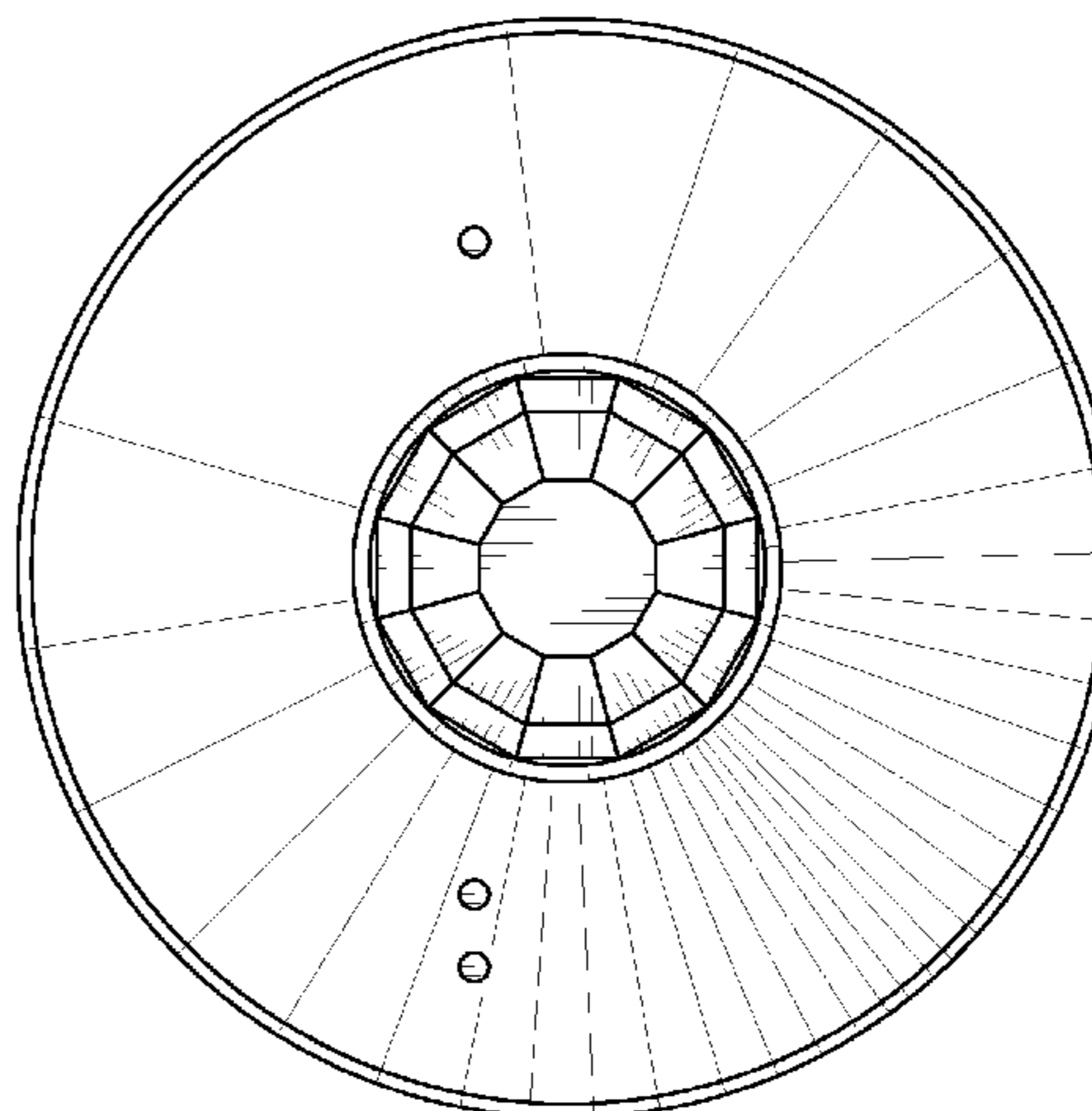
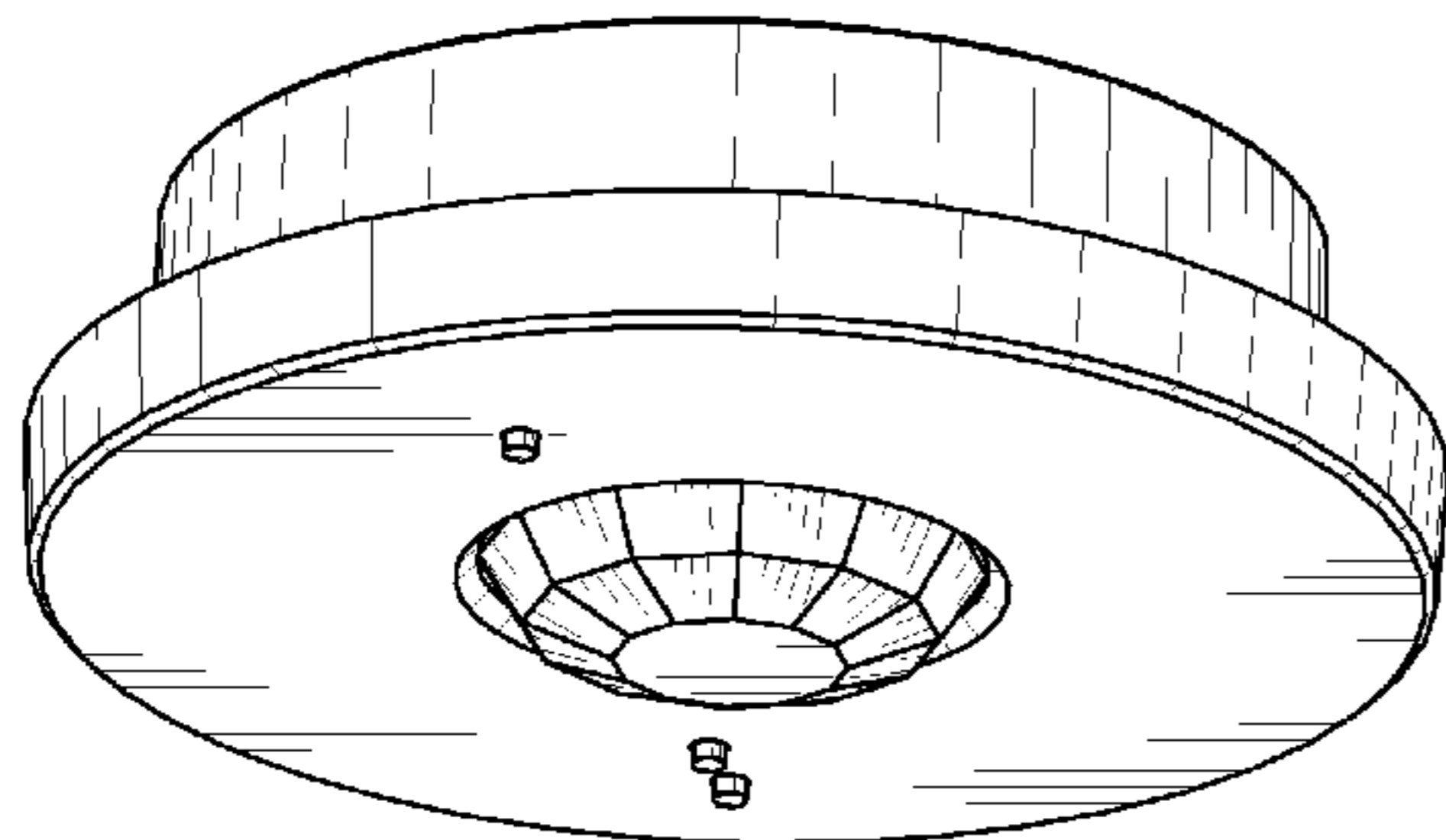
FIG. 4 is a right side view thereof.

FIG. 5 is a top view thereof; and,

FIG. 6 is a bottom view thereof.

The rear view forms no part of the design and is omitted.

**1 Claim, 3 Drawing Sheets**



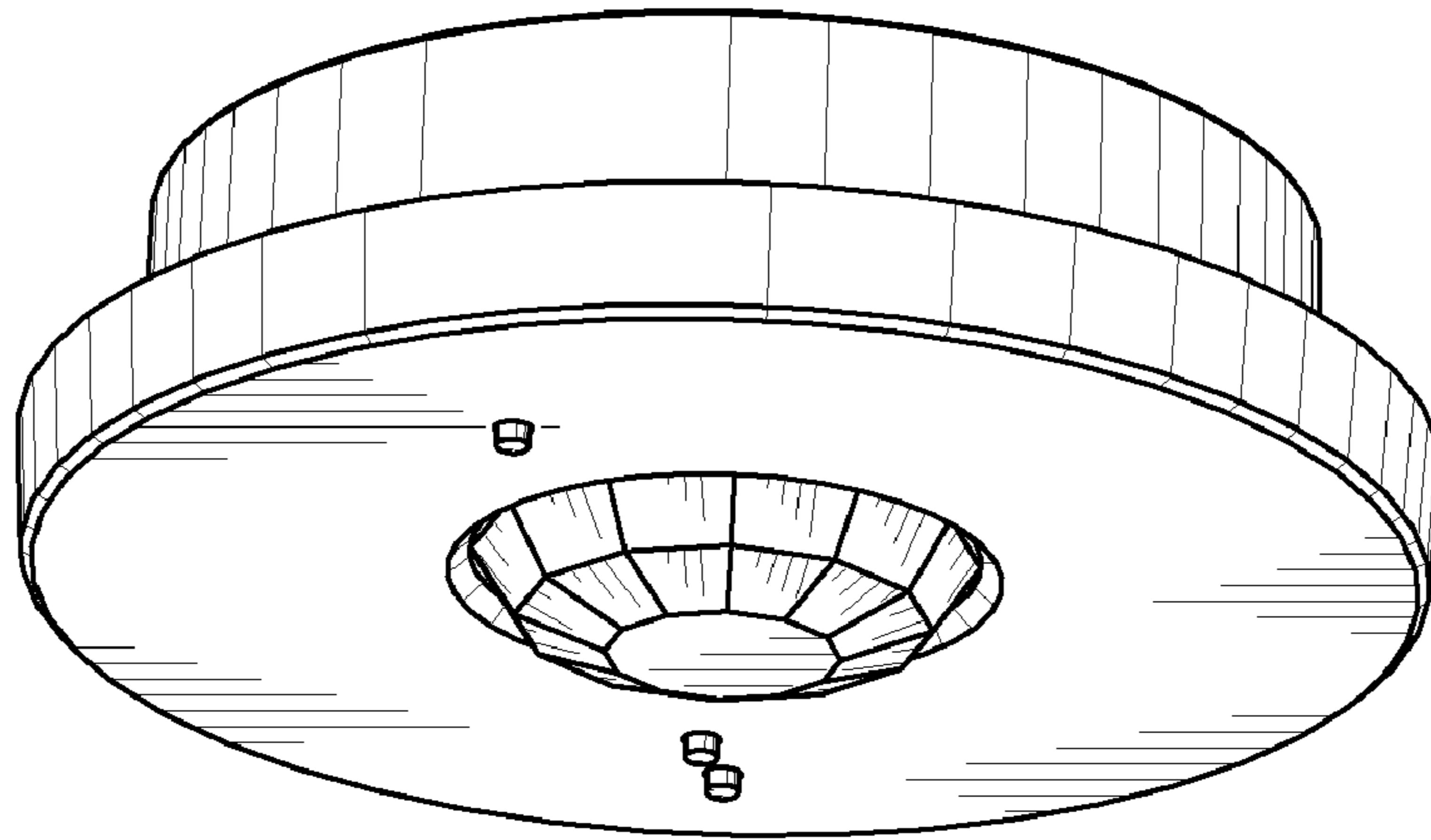


Fig. 1

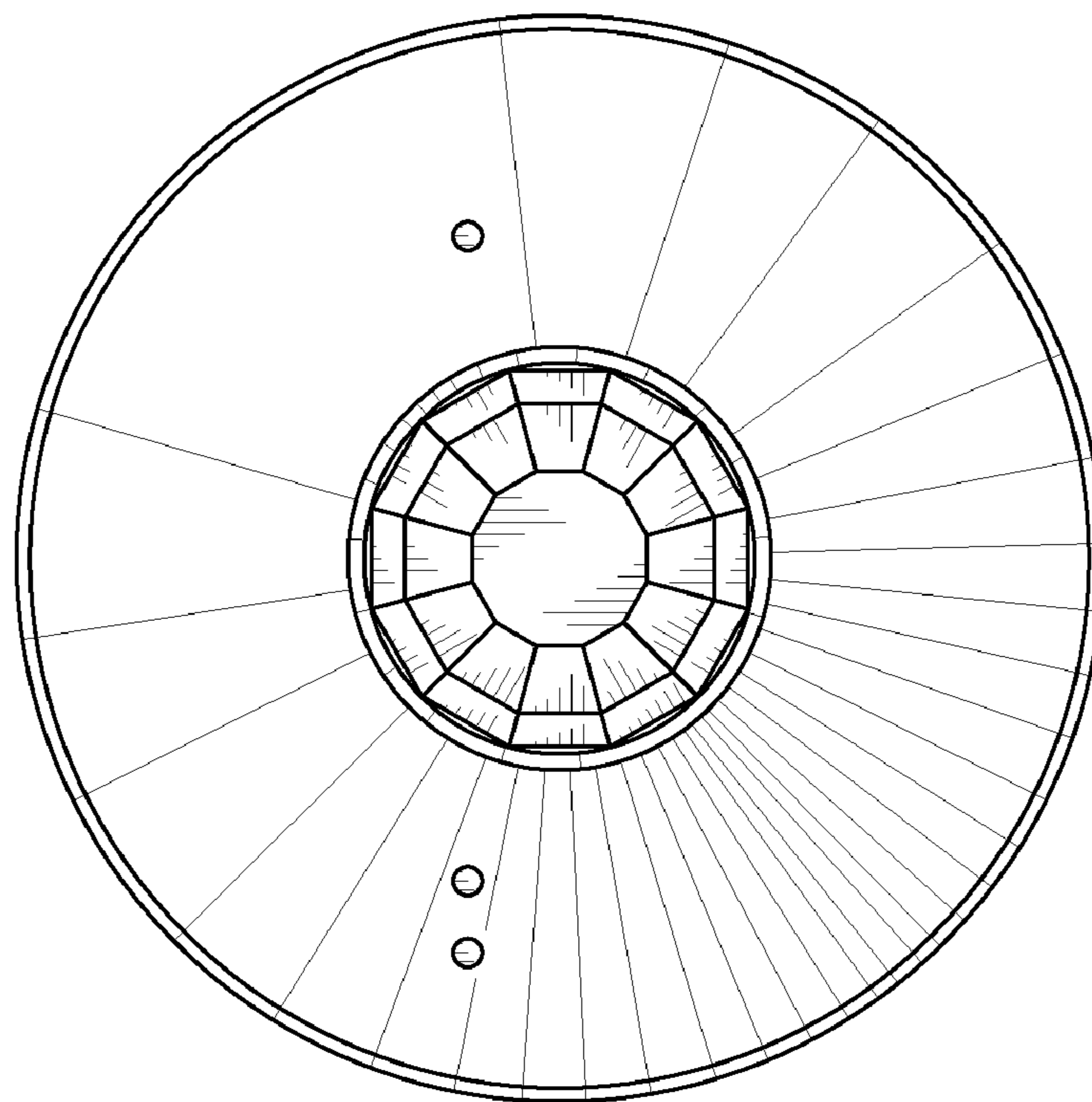


Fig. 2

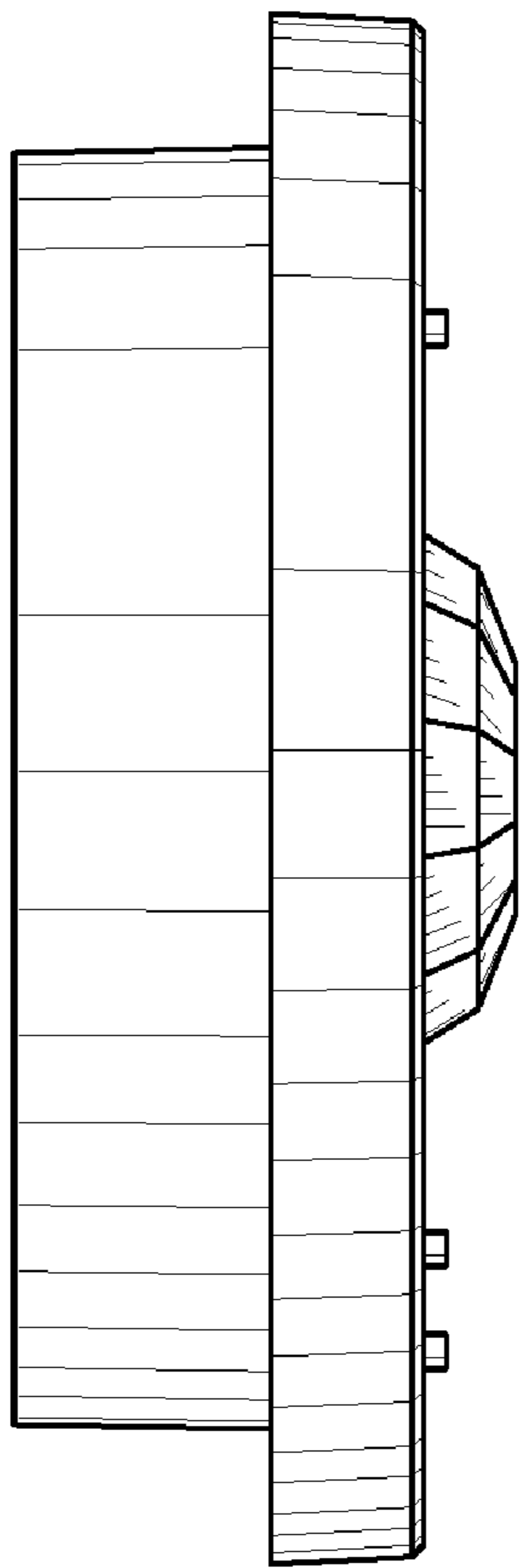


Fig. 3

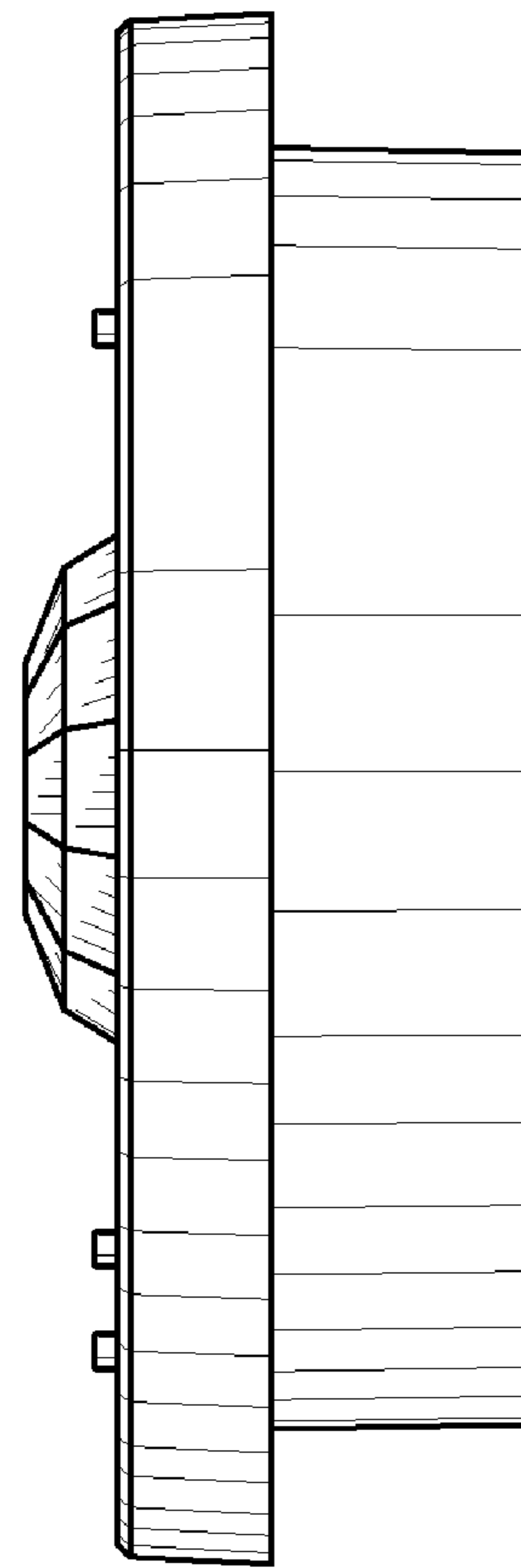


Fig. 4

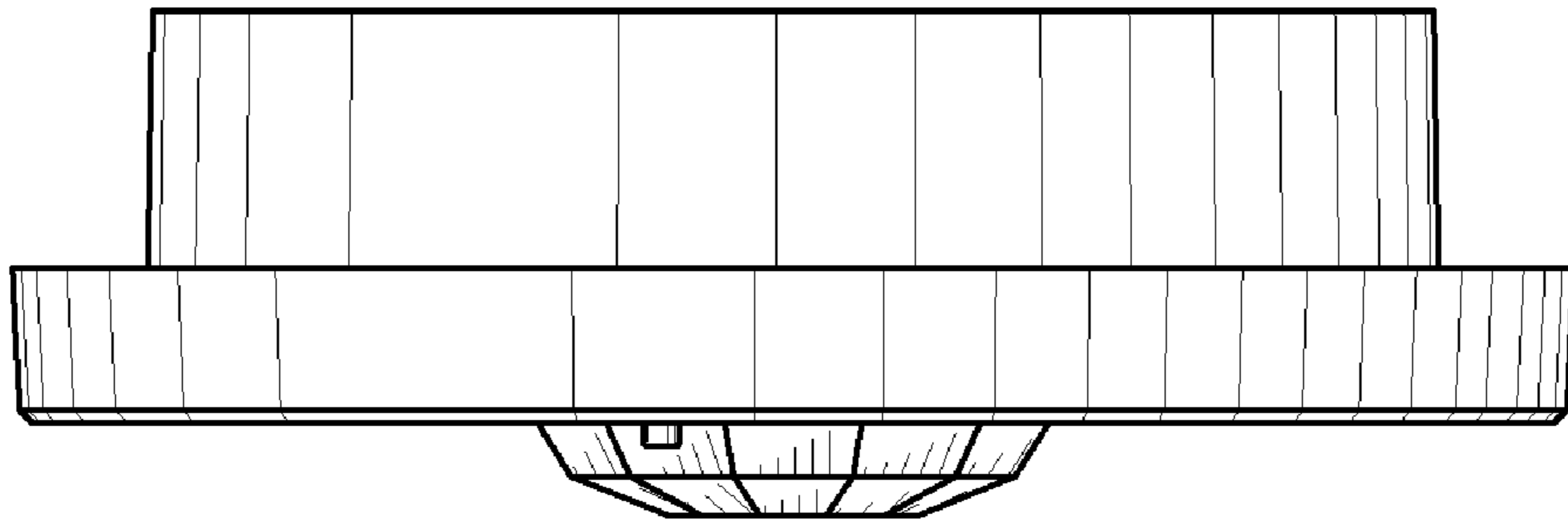


Fig. 5

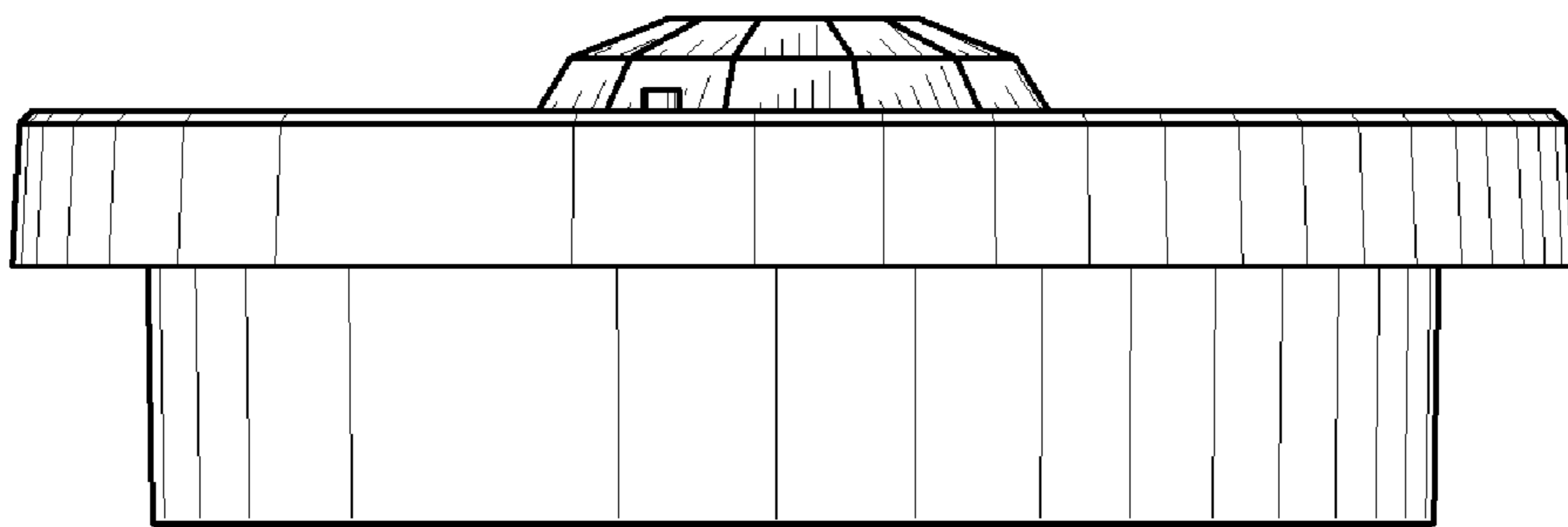


Fig. 6