



US00D603280S

(12) **United States Design Patent**
Shibayama

(10) **Patent No.:** **US D603,280 S**

(45) **Date of Patent:** **** Nov. 3, 2009**

(54) **SPECTROMETER**

(57) **CLAIM**

(75) Inventor: **Katsumi Shibayama**, Hamamatsu (JP)

The ornamental design for a spectrometer, as shown and described.

(73) Assignee: **Hamamatsu Photonics K.K.**,
Hamamatsu-shi, Shizuoka (JP)

(**) Term: **14 Years**

DESCRIPTION

(21) Appl. No.: **29/333,516**

FIG. 1 is a front view of a first embodiment of a spectrometer;
FIG. 2 is a rear view thereof;

(22) Filed: **Mar. 11, 2009**

FIG. 3 is a top plan view thereof;

(51) **LOC (9) Cl.** **10-04**

FIG. 4 is a bottom view thereof;

(52) **U.S. Cl.** **D10/81**

FIG. 5 is a right side view thereof;

(58) **Field of Classification Search** D10/81;
D13/123-157; 250/226; 356/416-419, 420,
356/326, 300-370, 402-425; 350/311, 318;
357/3 H, 3 L; 358/43, 44

FIG. 6 is a left side view thereof;

See application file for complete search history.

FIG. 7 is a perspective view thereof;

FIG. 8 is a front view of a second embodiment of a spectrom-
eter;

(56) **References Cited**

FIG. 9 is a rear view thereof;

U.S. PATENT DOCUMENTS

FIG. 10 is a top plan view thereof;

4,687,329 A * 8/1987 Schultz 356/328

FIG. 11 is a bottom view thereof;

5,166,755 A * 11/1992 Gat 356/419

FIG. 12 is a right side view thereof;

D389,123 S * 1/1998 Vernon D13/147

FIG. 13 is a left side view thereof; and,

2008/0304793 A1 * 12/2008 Benaron et al. 385/75

FIG. 14 is a perspective view thereof.

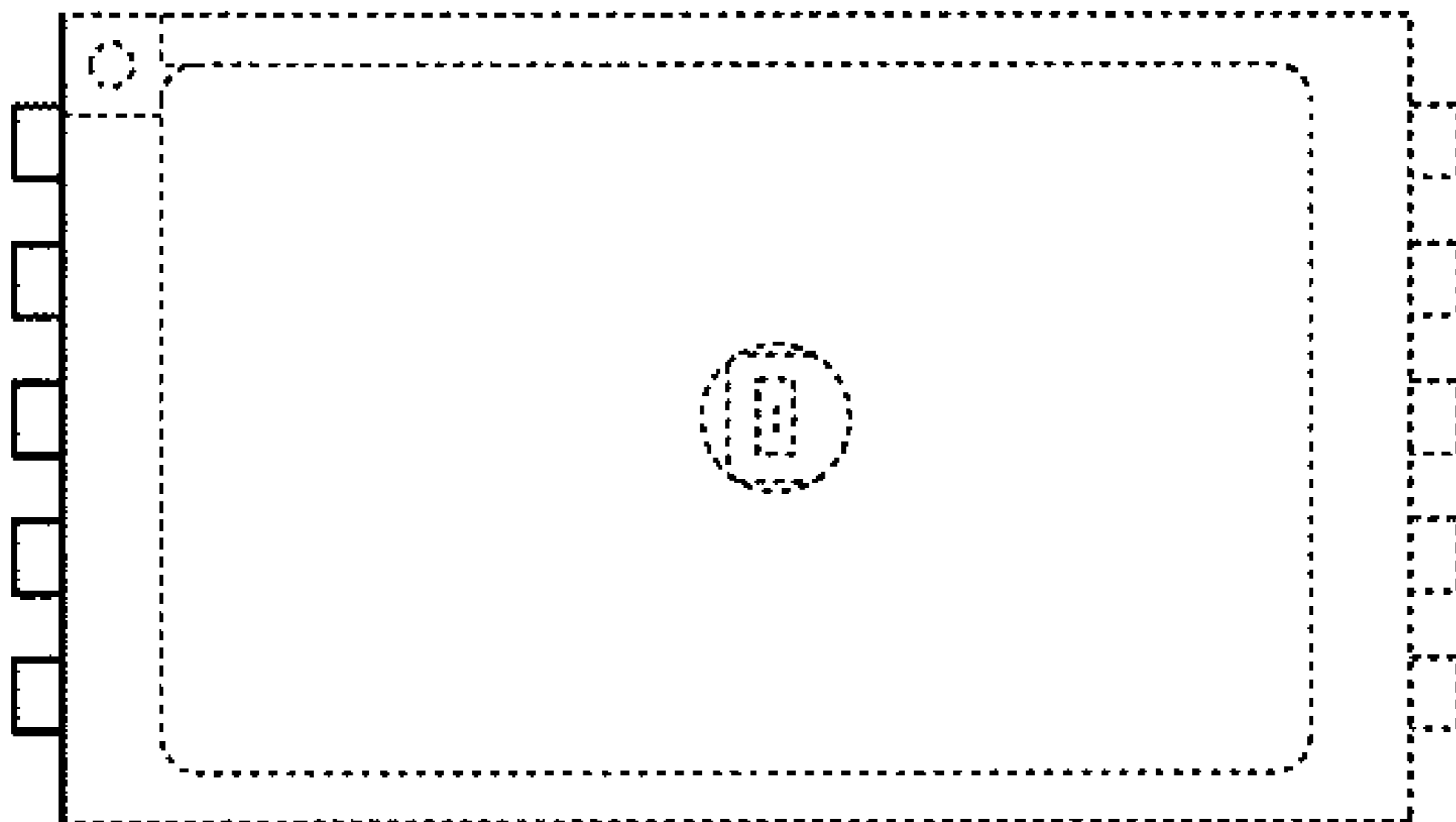
* cited by examiner

The broken lines illustrated are for illustration purposes only
and form no part of the claimed design.

Primary Examiner—Antoine D Davis

1 Claim, 2 Drawing Sheets

(74) *Attorney, Agent, or Firm*—Drinker Biddle & Reath LLP



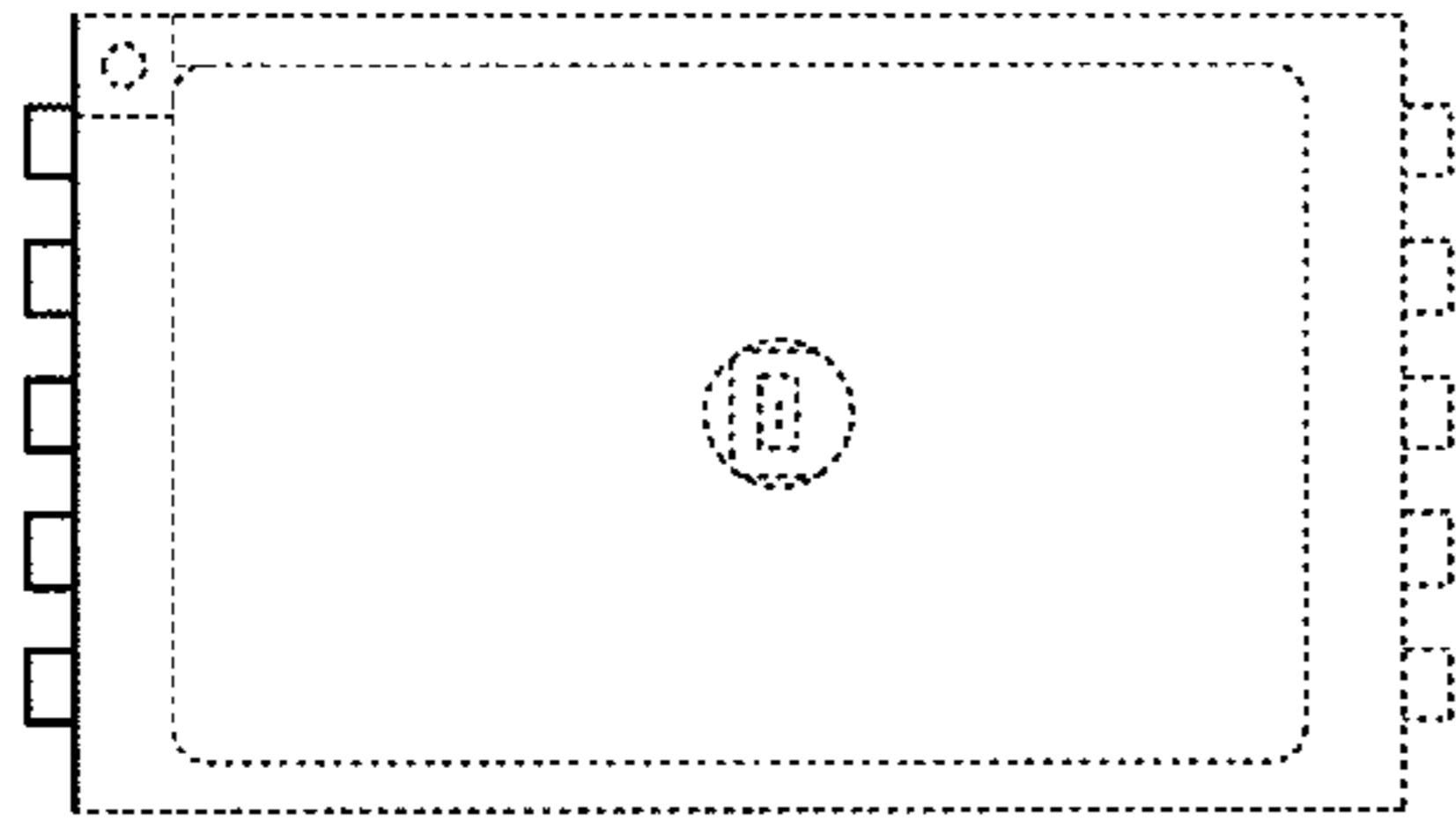


FIG. 1



FIG. 2

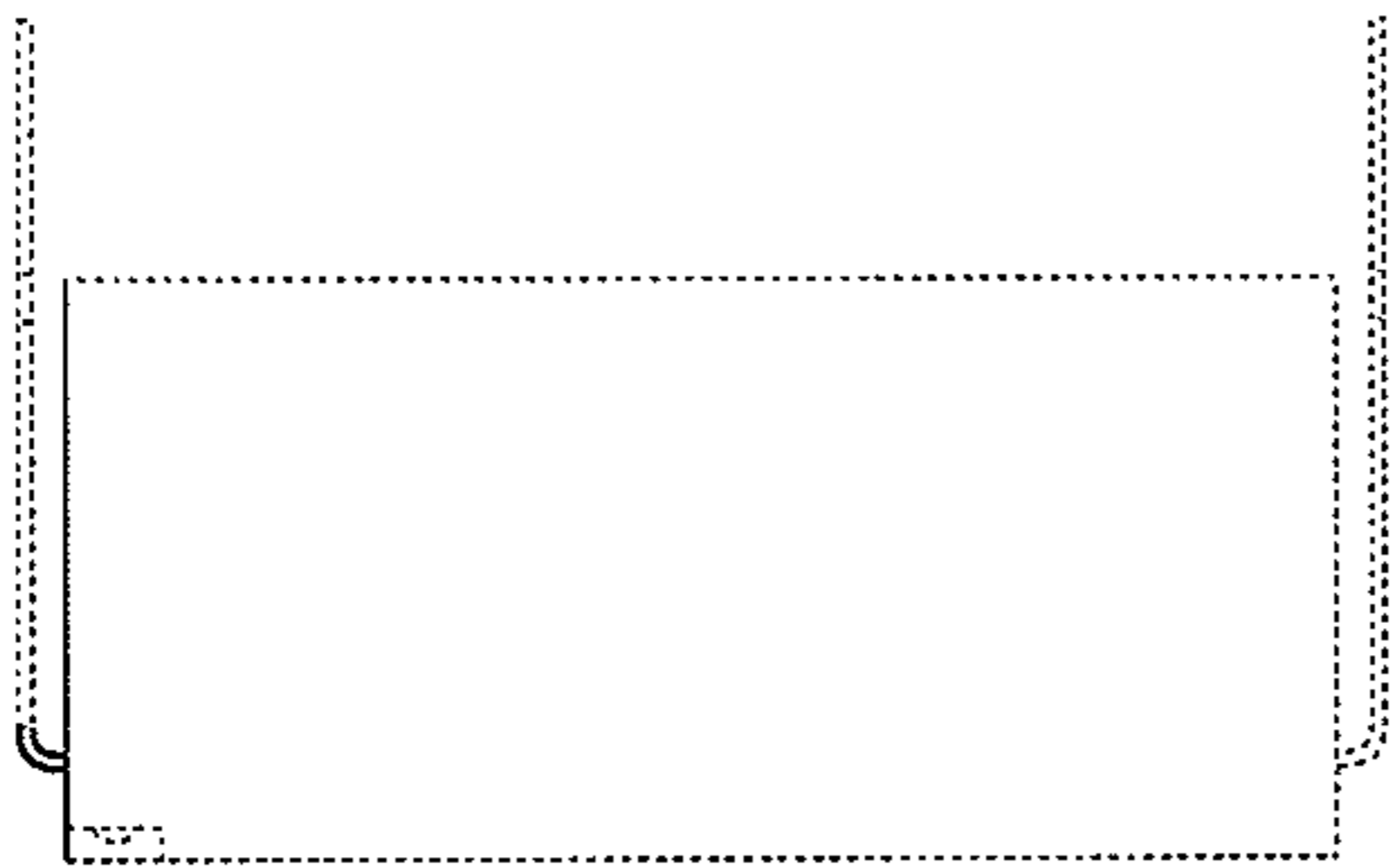


FIG. 3

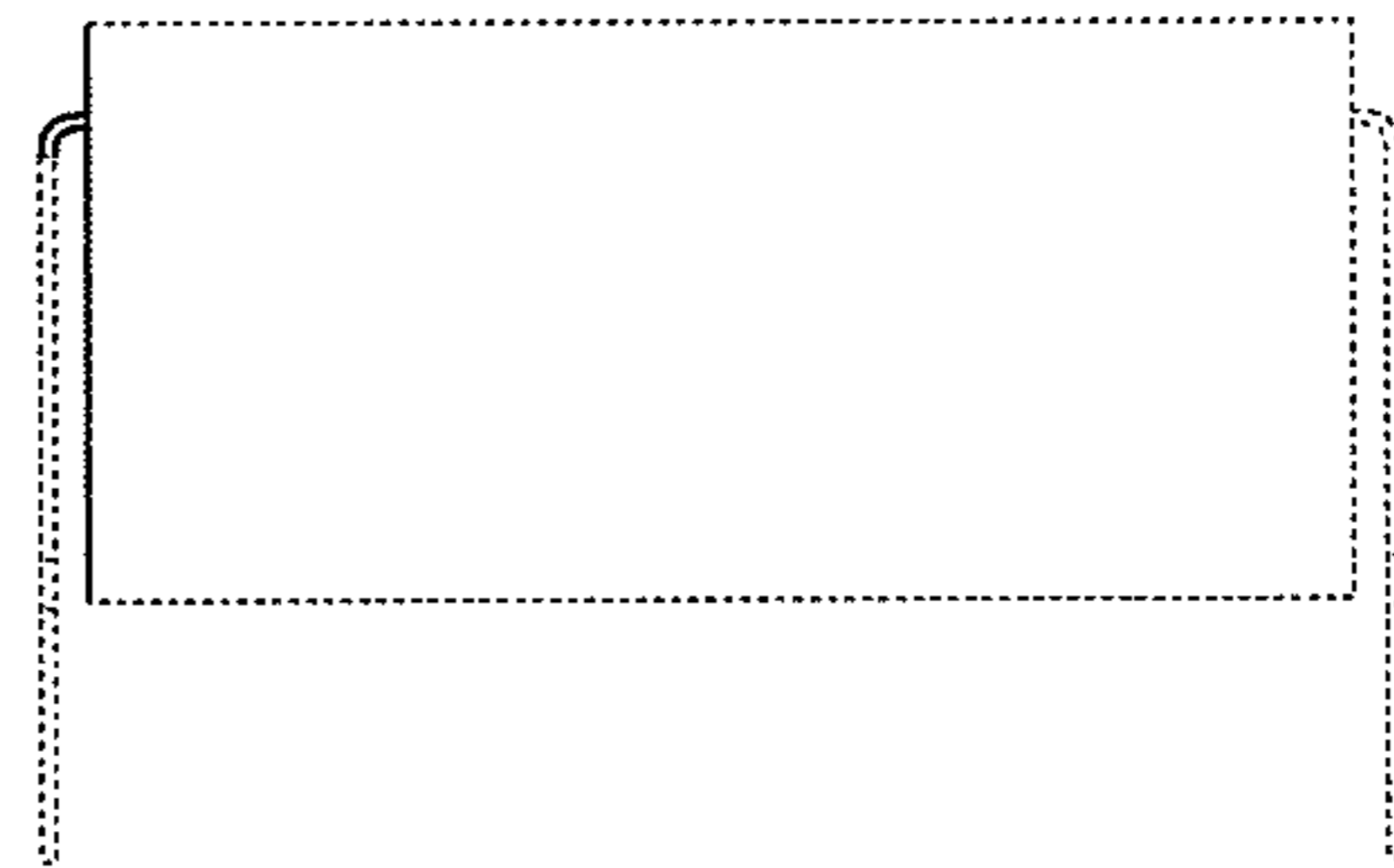


FIG. 4

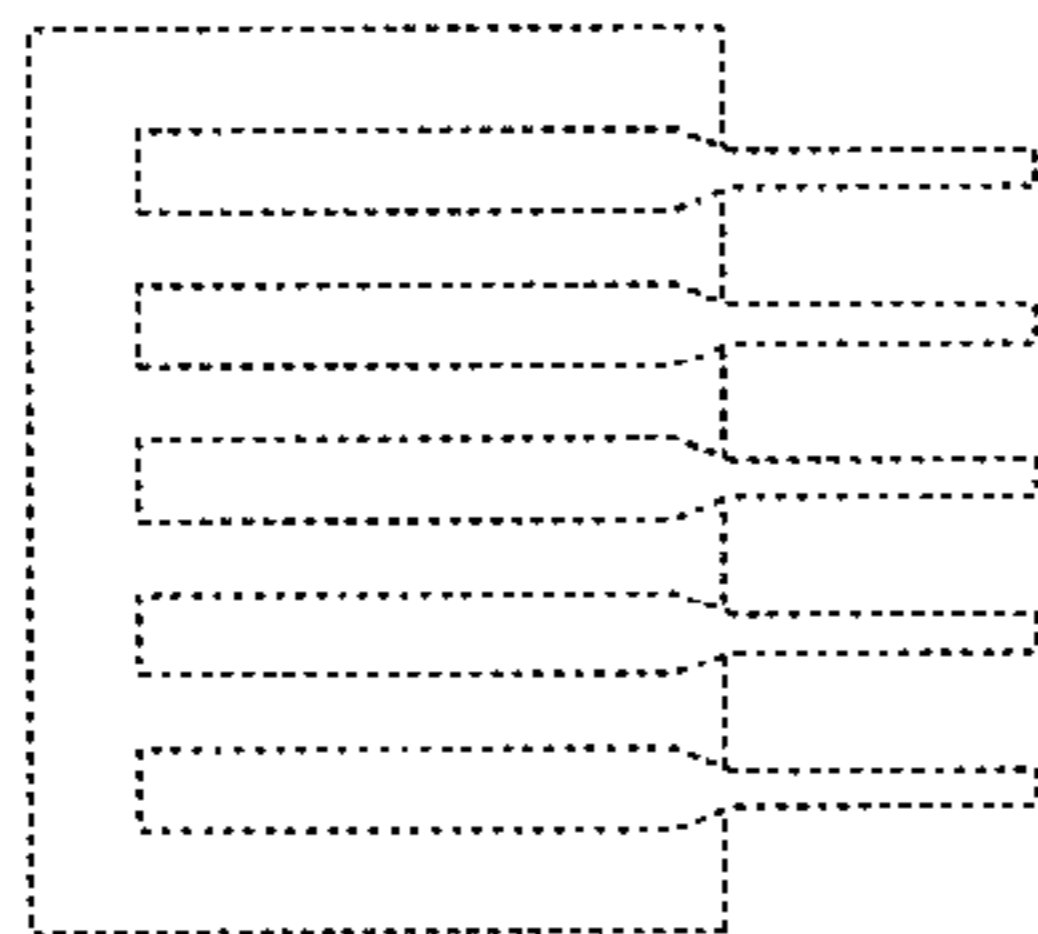


FIG. 5

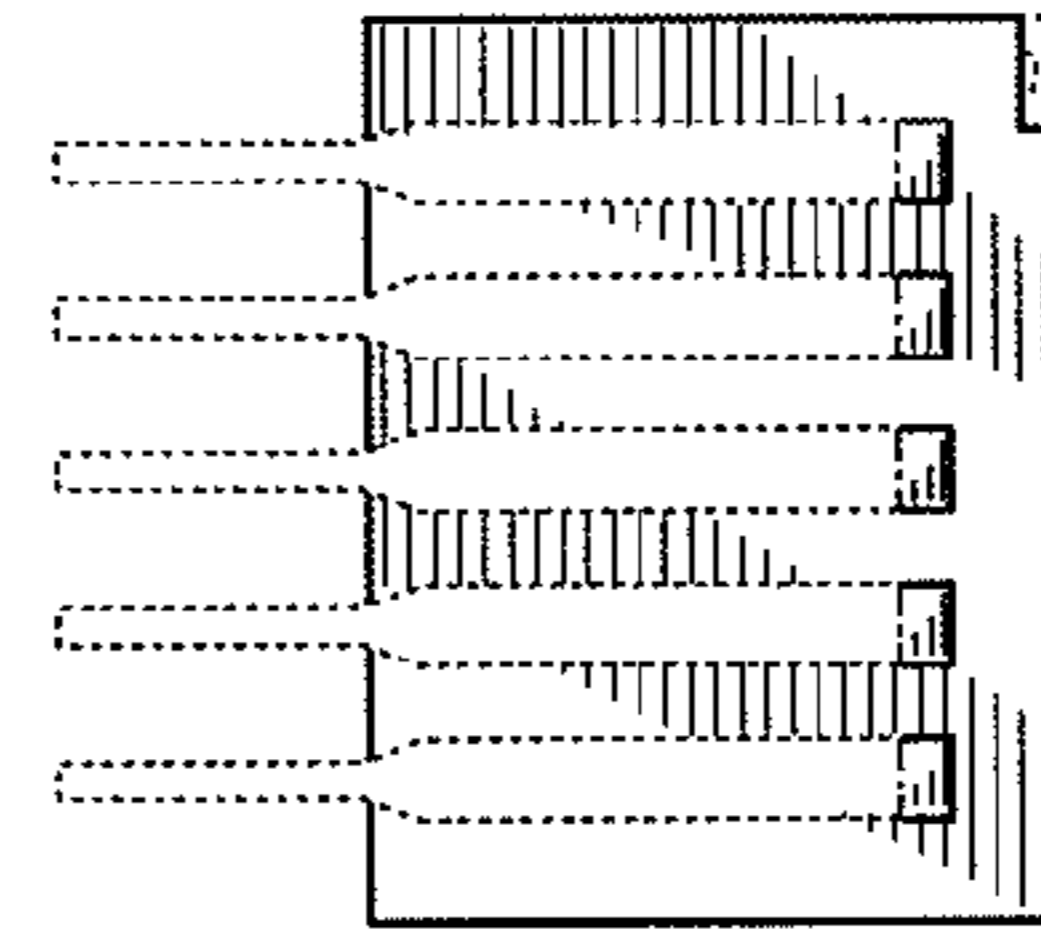


FIG. 6

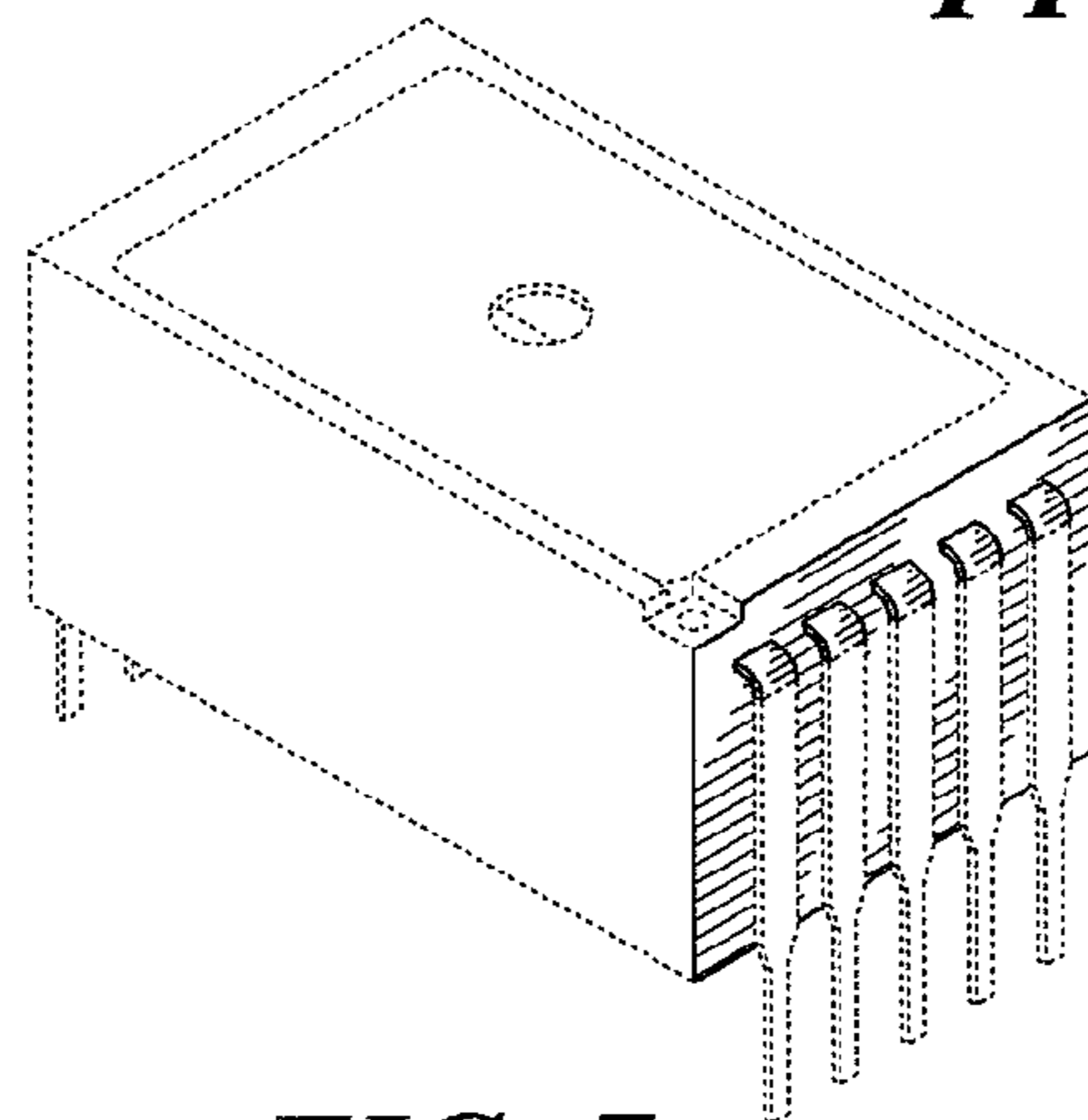


FIG. 7

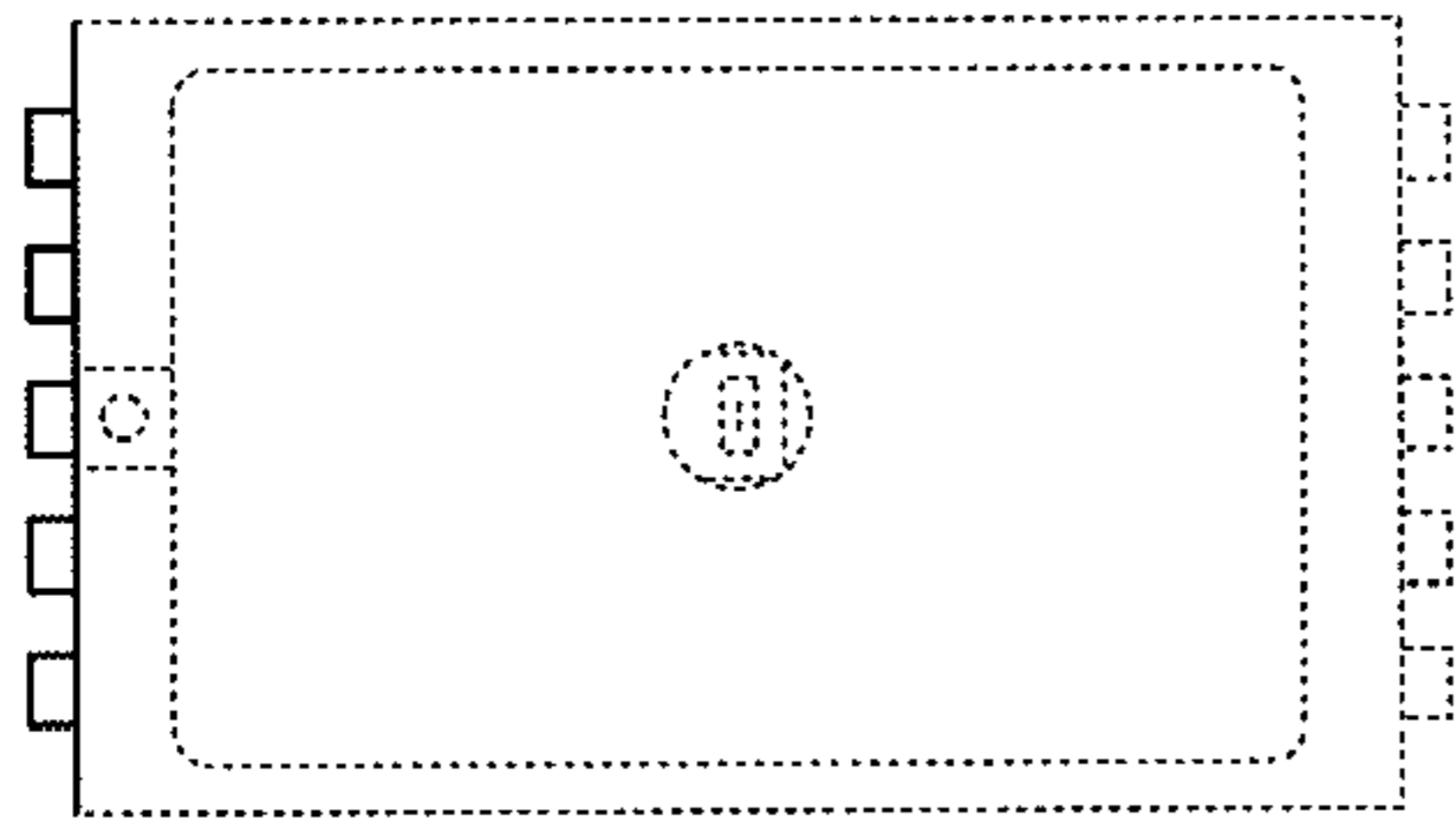


FIG. 8



FIG. 9

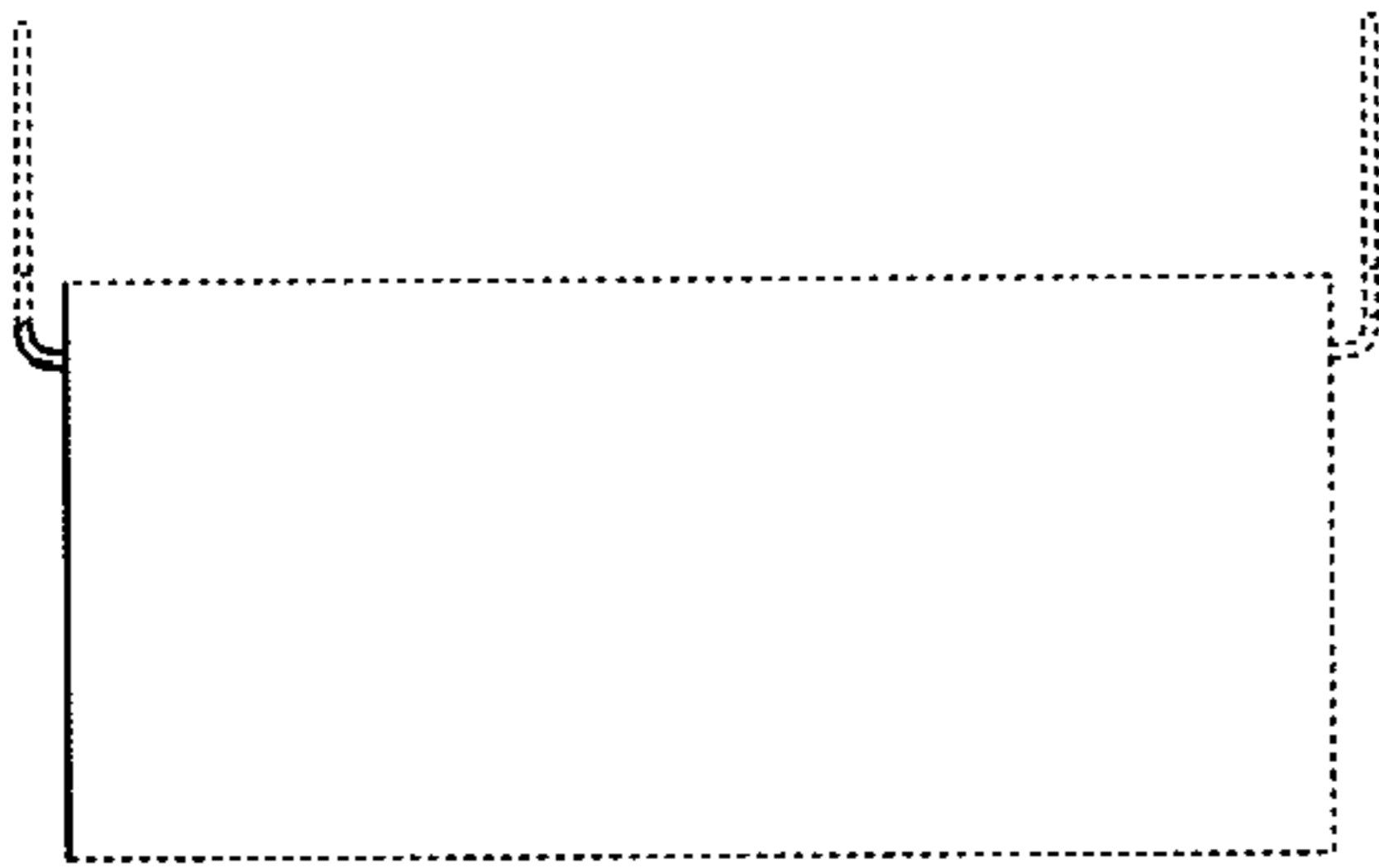


FIG. 10

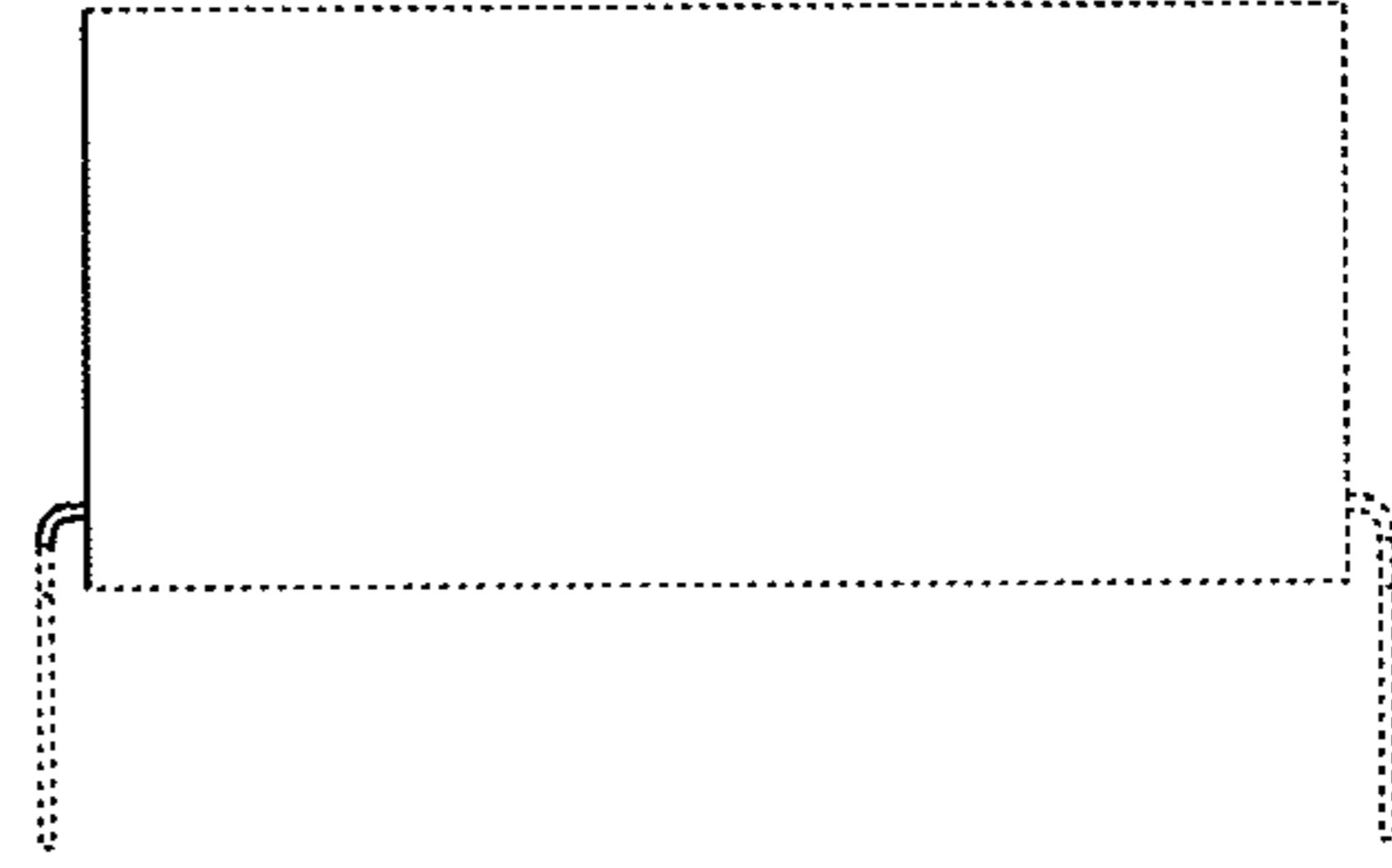


FIG. 11

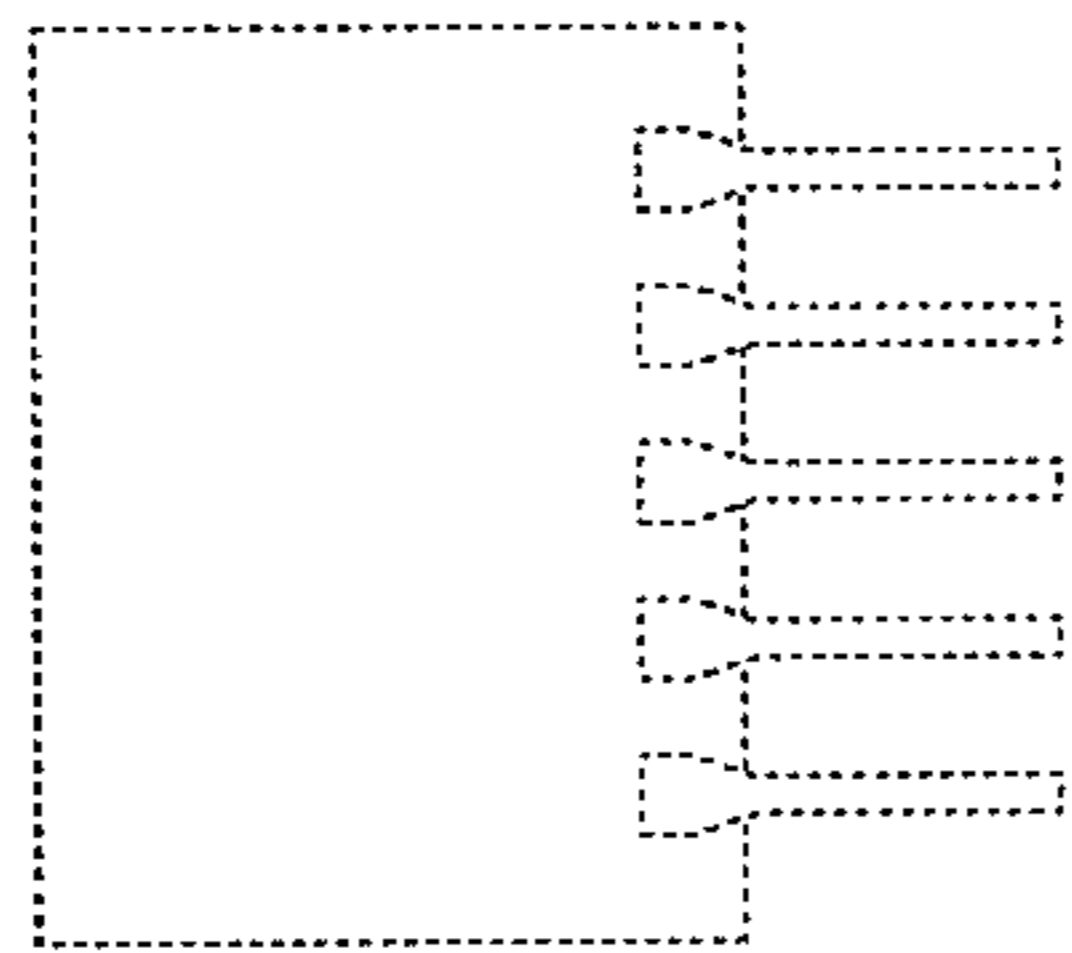


FIG. 12

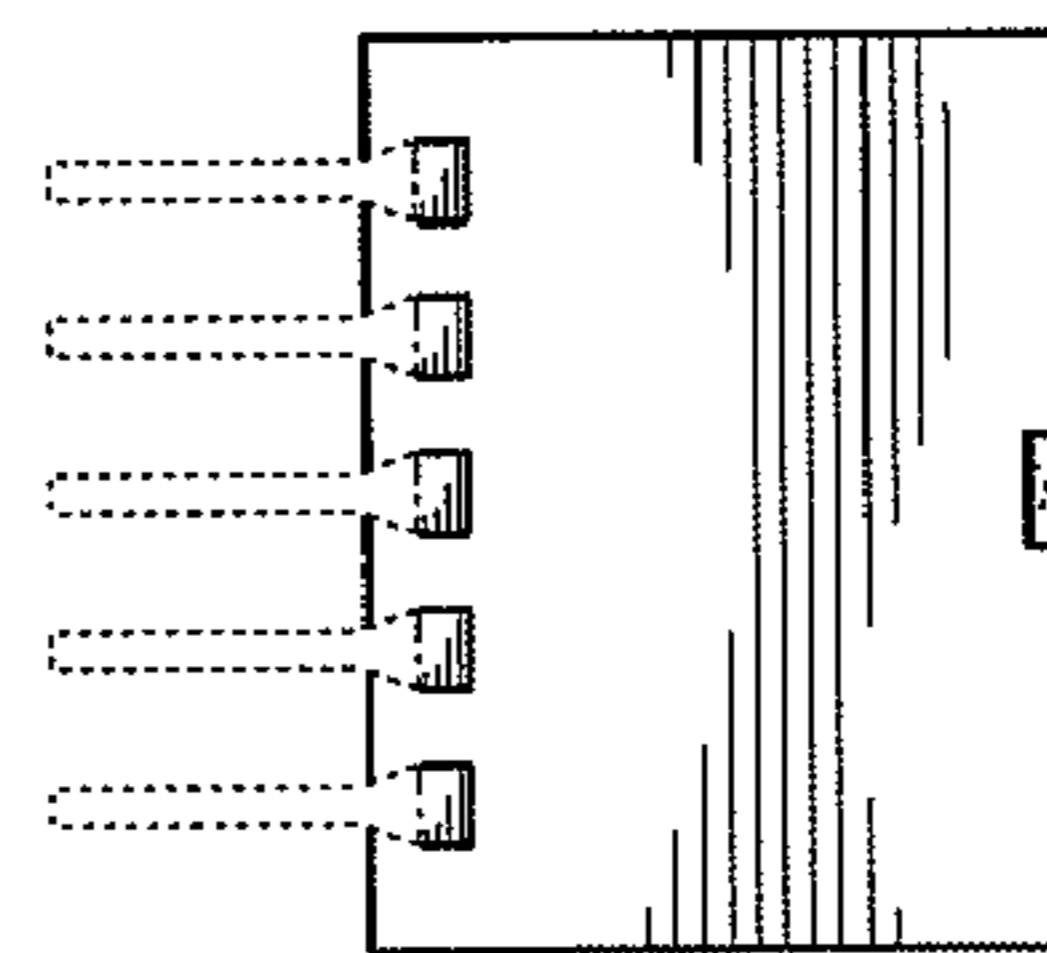


FIG. 13

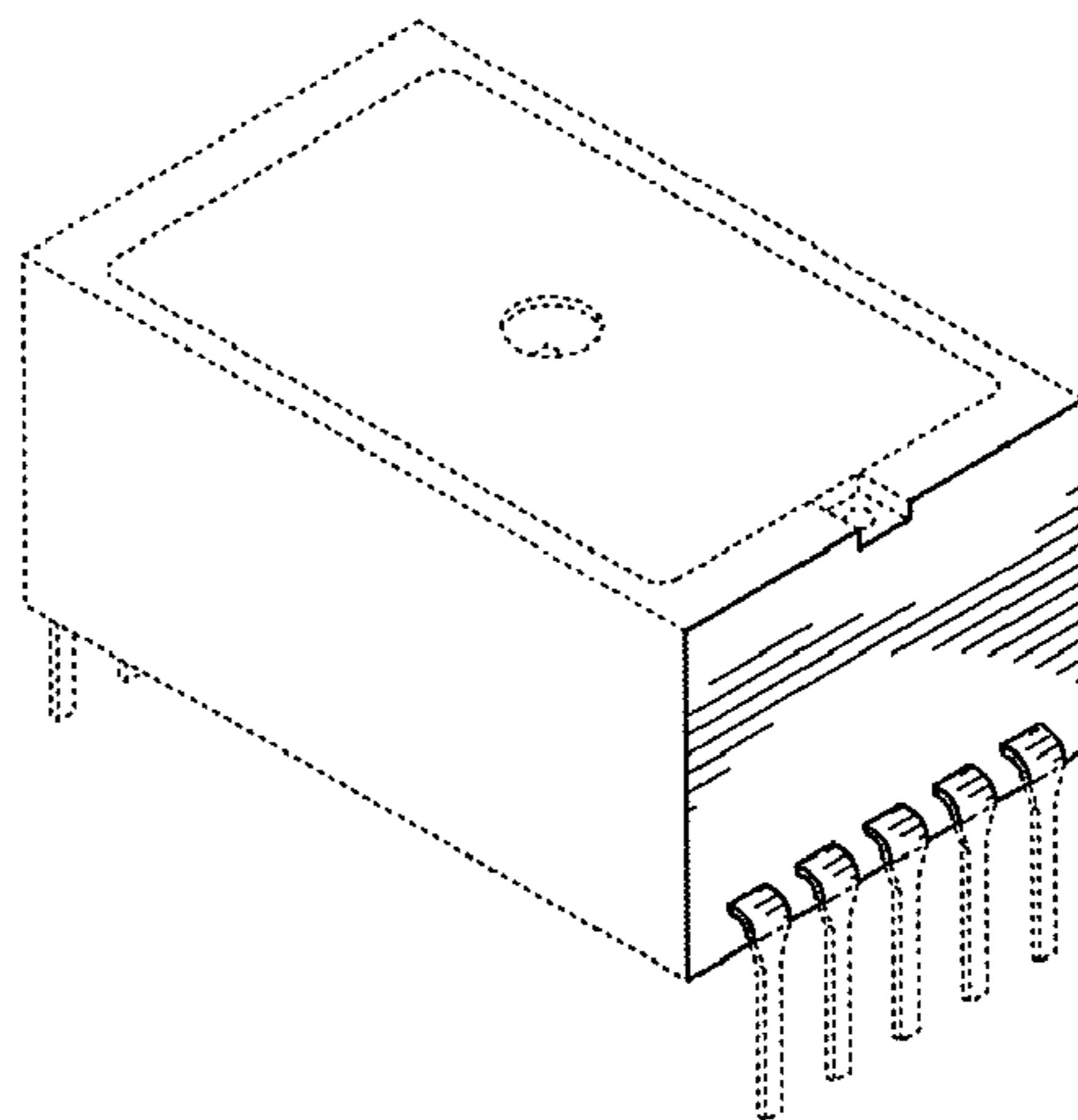


FIG. 14