



US00D603274S

(12) **United States Design Patent**
Patey et al.

(10) **Patent No.:** **US D603,274 S**

(45) **Date of Patent:** **** Nov. 3, 2009**

(54) **FOOD CONTAINER**

(75) Inventors: **Darryn Bently Patey**, Brampton (CA);
Sergio O. Montero Orozco, Mexico
City (MX); **Diego Moreno Cureño**,
Mexico City (MX)

(73) Assignee: **Sabritas, S. de R.L. de C.V.**, Colonia
Lomas de Chapultepec, DF - Mexico
City

(**) Term: **14 Years**

(21) Appl. No.: **29/298,570**

(22) Filed: **Dec. 7, 2007**

Related U.S. Application Data

(63) Continuation-in-part of application No. 11/669,335,
filed on Jan. 31, 2007, and a continuation-in-part of
application No. PCT/MX2007/000077, filed on Jun.
22, 2007.

(51) **LOC (9) Cl.** **09-01**

(52) **U.S. Cl.** **D9/689; D9/686**

(58) **Field of Classification Search** D9/443-446,
D9/449, 454, 502-505, 529-530, 537-540,
D9/556-558, 571, 682, 686-694, 718, 723,
D9/724; D6/542; D28/89, 91.1, 99; 222/321.7,
222/321.9, 386; 220/4.27, 23.4, 23.83, 561,
220/770, 761, 766

See application file for complete search history.

(56) **References Cited**

U.S. PATENT DOCUMENTS

3,471,065 A * 10/1969 Malone 222/321.1
3,472,423 A 10/1969 Kaplan
3,901,416 A 8/1975 Schultz
4,074,833 A 2/1978 Otto, Sr.
4,323,177 A 4/1982 Nielsen
D303,627 S 9/1989 Wilkinson

4,944,430 A * 7/1990 Graf et al. 222/259
D338,623 S * 8/1993 Wiegner et al. D9/504
5,650,180 A 7/1997 Kumada
D402,193 S * 12/1998 Bell et al. D9/693
D409,903 S * 5/1999 Markey et al. D9/692
6,247,995 B1 6/2001 Bryan
6,477,743 B1 11/2002 Gross
D466,401 S * 12/2002 Cohen et al. D9/504
6,513,680 B2 2/2003 Nakayoshi
6,935,543 B2 8/2005 DeGroot
D512,918 S 12/2005 Ruiz
D513,187 S 12/2005 Ruiz
D537,344 S * 2/2007 O'Brien et al. D9/516
D539,157 S * 3/2007 Okusono Ruiz D9/540

* cited by examiner

Primary Examiner—Stella M Reid

Assistant Examiner—Rashida C McCoy

(74) *Attorney, Agent, or Firm*—Colin P. Cahoon; Carstens &
Cahoon, LLP

(57) **CLAIM**

The ornamental design for a food container, as shown and
described.

DESCRIPTION

FIG. 1 is a perspective view of a food container, showing our
new design;

FIG. 2 is a front elevation view thereof;

FIG. 3 is a left elevation view thereof;

FIG. 4 is a right elevation view thereof;

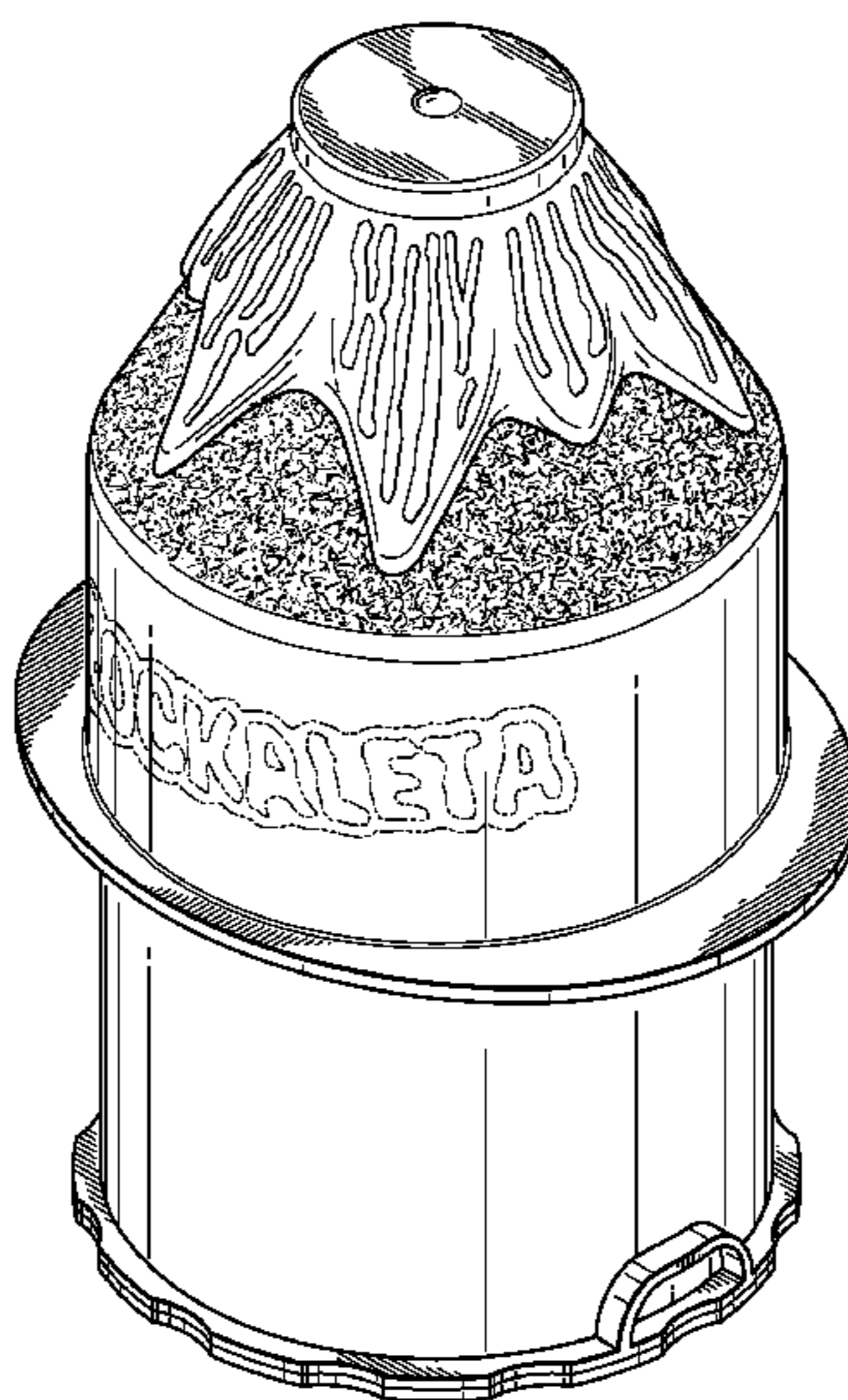
FIG. 5 is a rear elevation view thereof;

FIG. 6 is a top plan view thereof; and,

FIG. 7 is a bottom plan view thereof.

The broken line showing product logos in FIGS. 1 and 2 is for
illustrative purposes only and forms no part of the claimed
design. The broken line circle on FIG. 7 which defines the
bounds of the claimed design forms no part thereof.

1 Claim, 4 Drawing Sheets



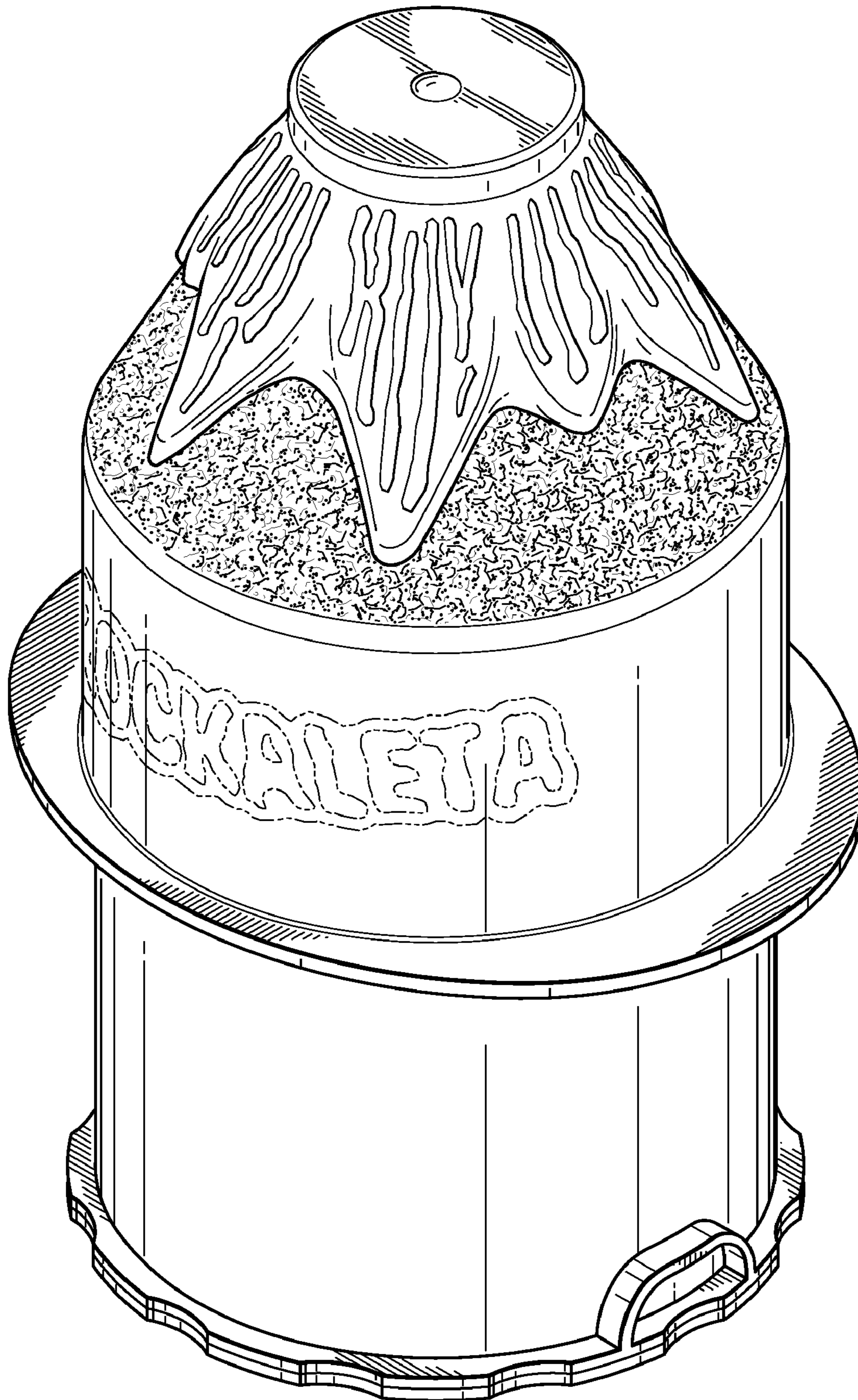


FIG. 1

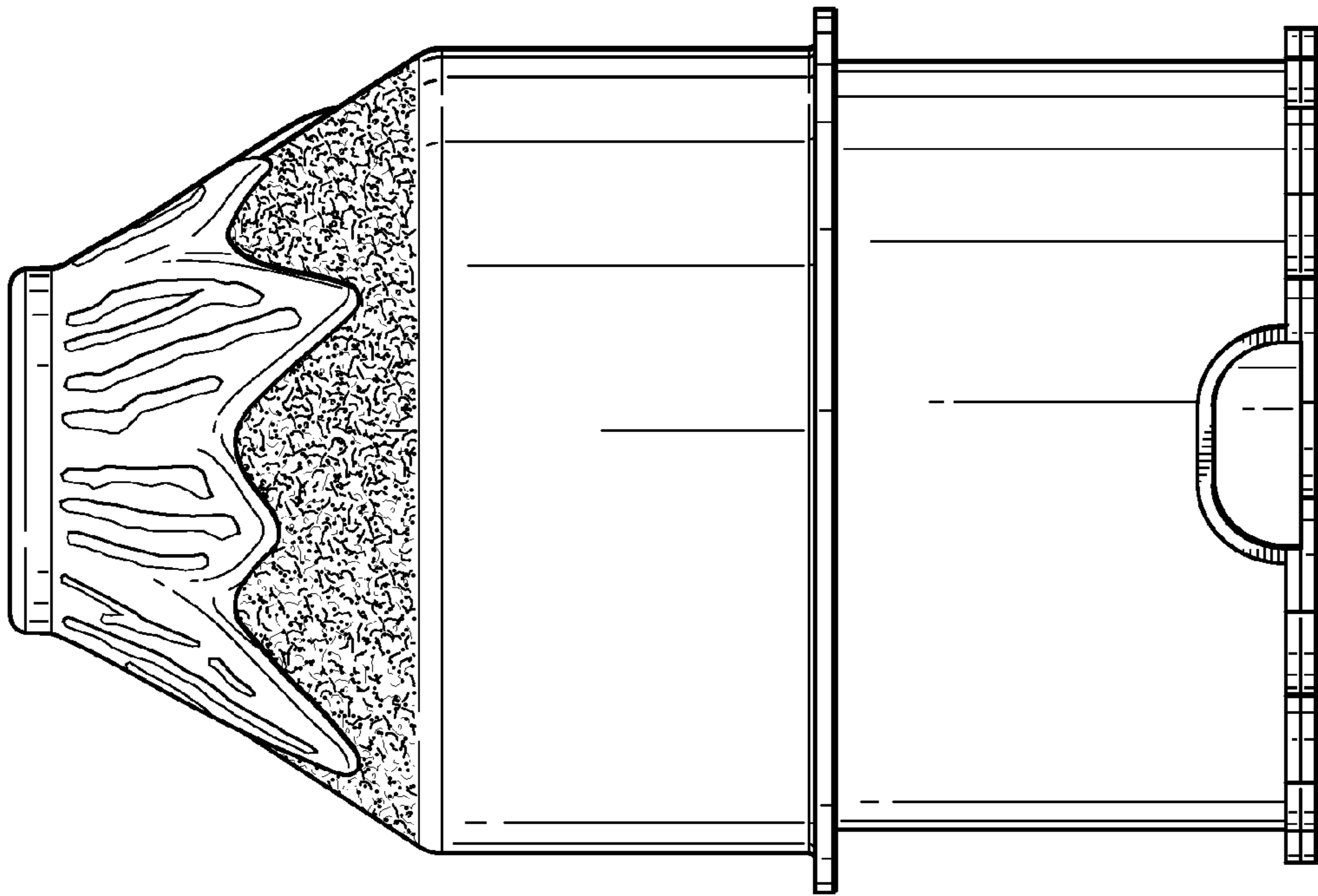


FIG. 3

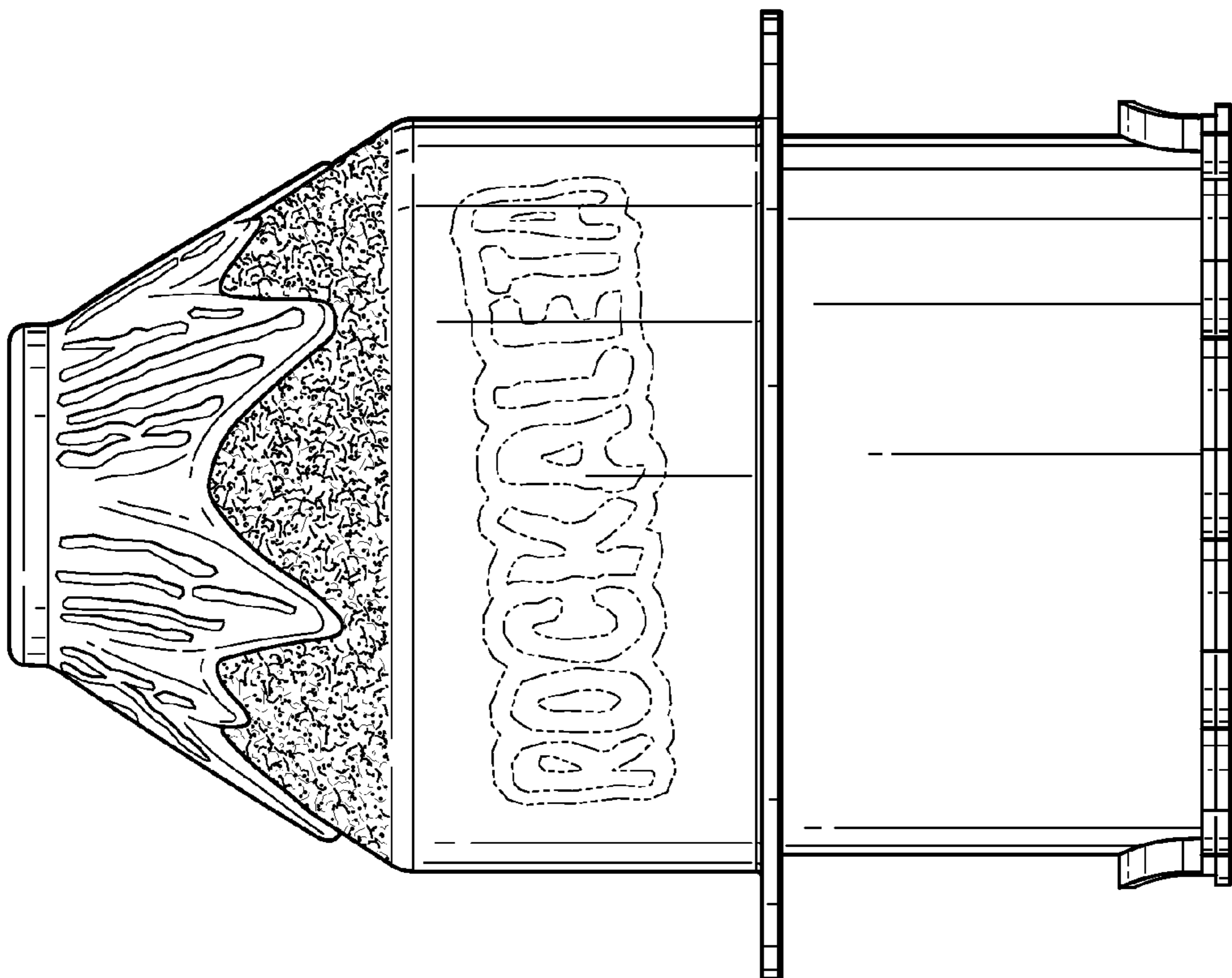


FIG. 2

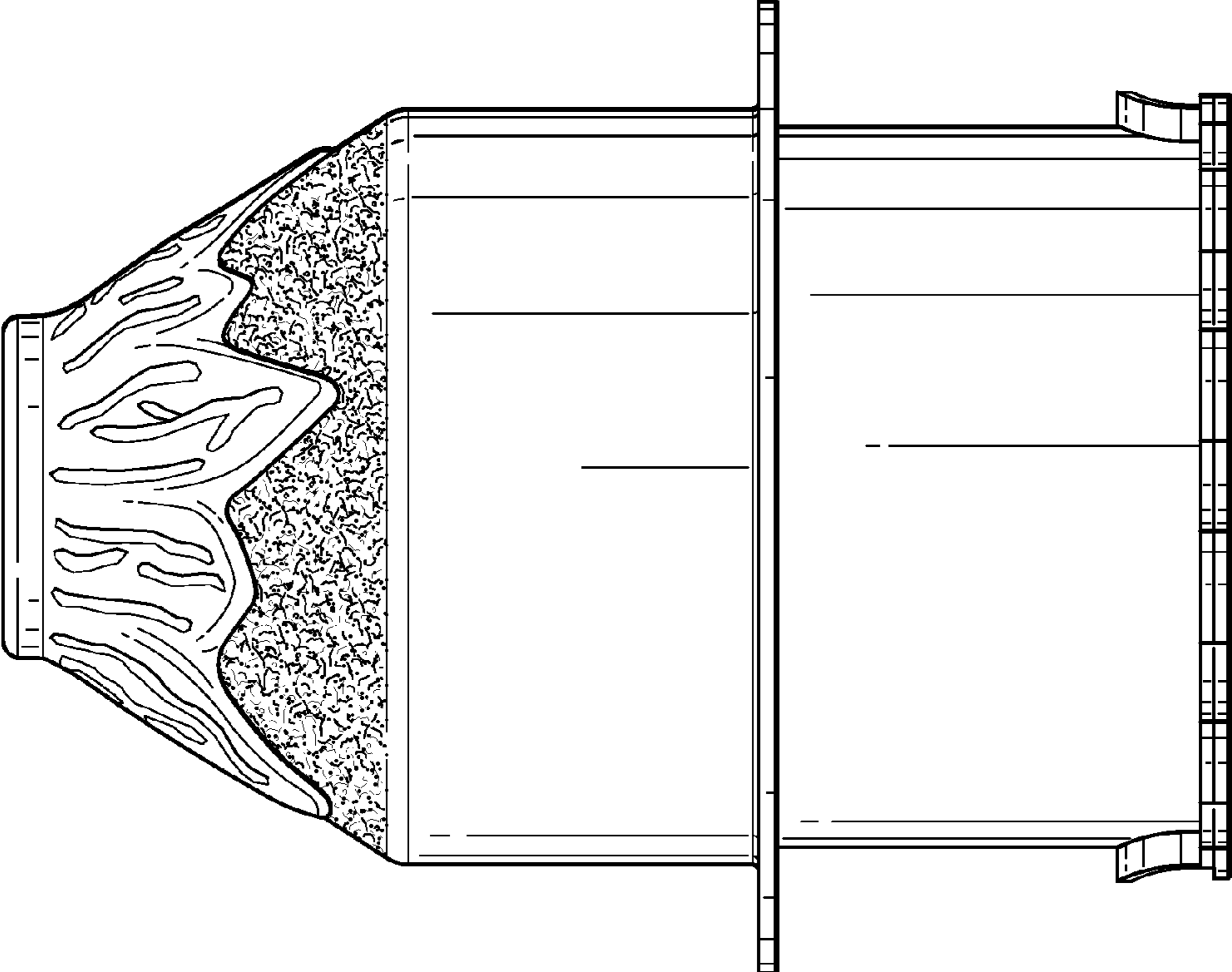


FIG. 4

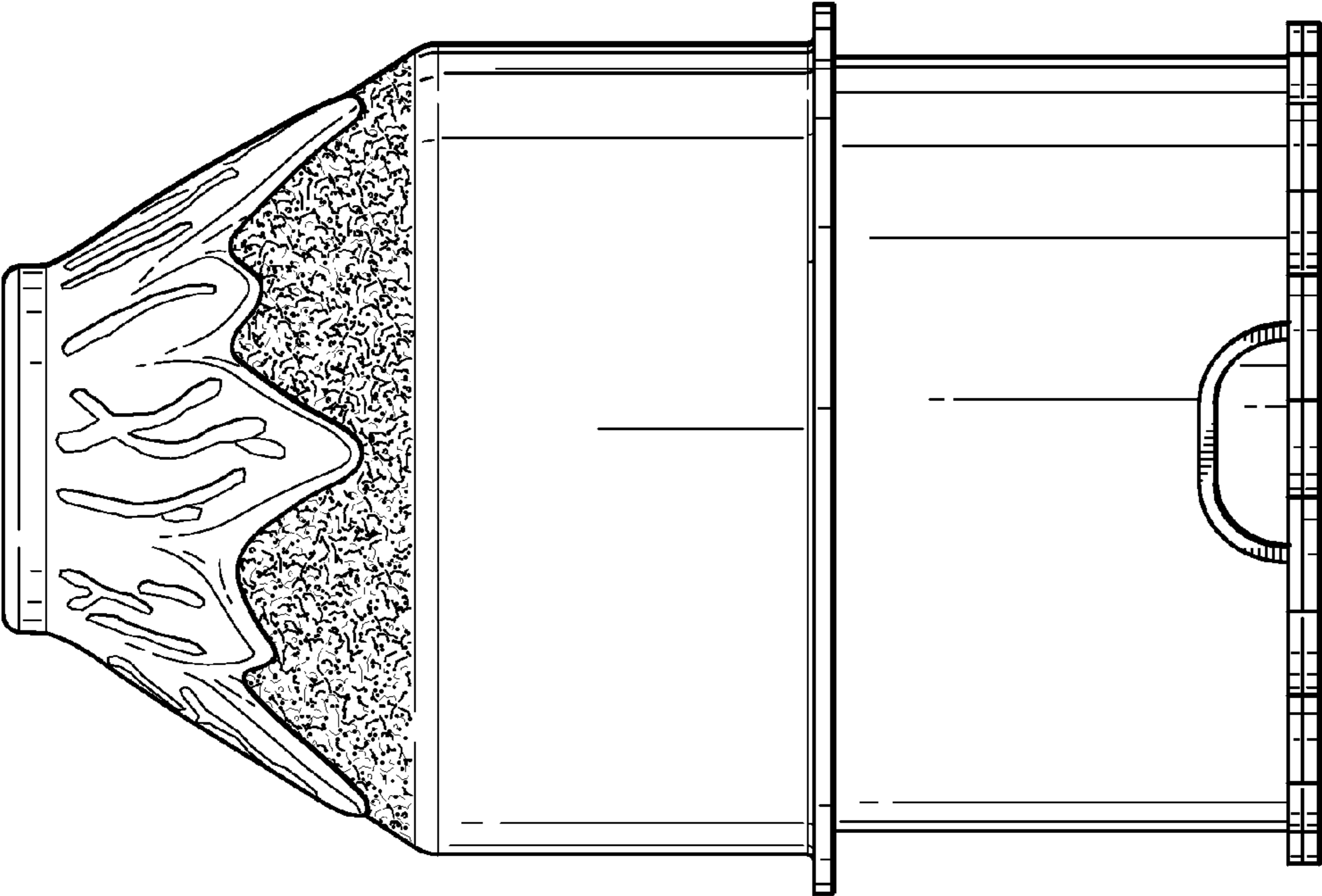


FIG. 5

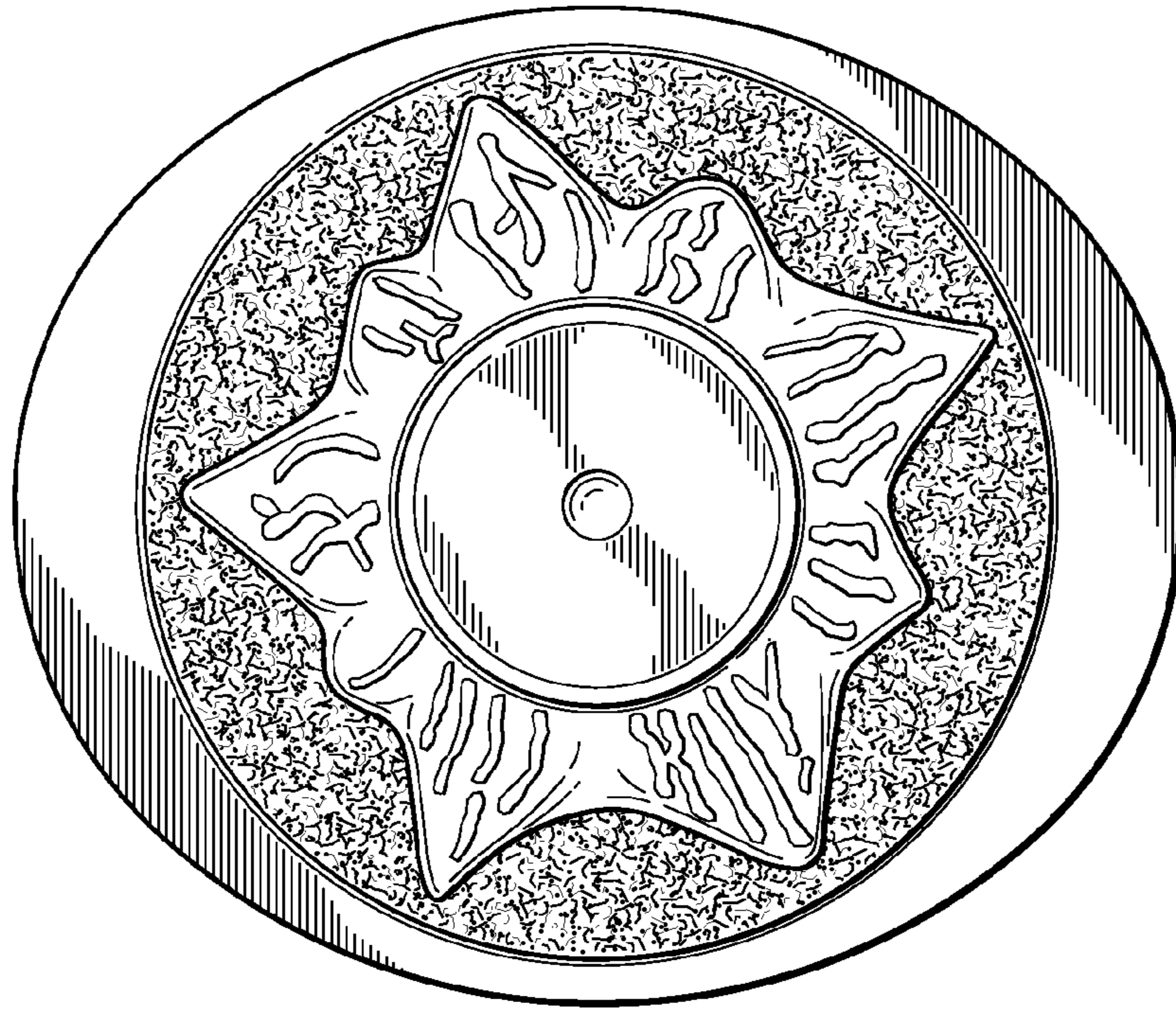


FIG. 6

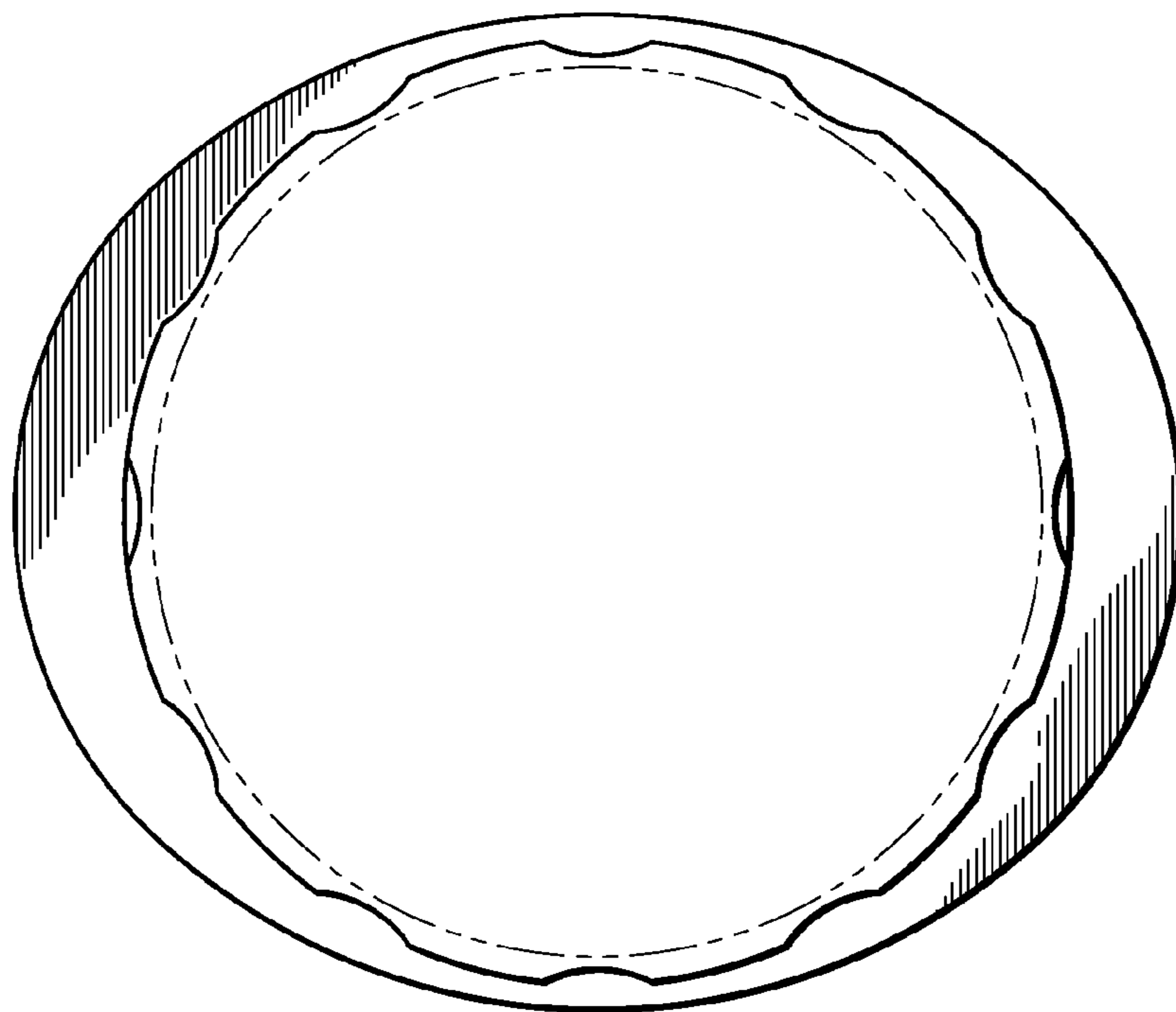


FIG. 7