



US00D603266S

(12) **United States Design Patent**  
**Dibnah et al.**

(10) **Patent No.:** **US D603,266 S**  
(45) **Date of Patent:** **\*\* Nov. 3, 2009**

(54) **JAR WITH LID**

(75) Inventors: **Carl Dibnah**, Hull (GB); **Chris Padain**, Montvale, NJ (US); **Tom Walker**, Bristol (GB); **Craig Wightman**, Bristol (GB)

(73) Assignee: **Reckitt Benckiser (UK) Limited**, Slough, Berkshire (GB)

(\*\*) Term: **14 Years**

(21) Appl. No.: **29/307,542**

(22) Filed: **Apr. 25, 2008**

(30) **Foreign Application Priority Data**

Nov. 1, 2007 (EM) ..... 000818851-0001

(51) **LOC (9) Cl.** ..... **09-01**

(52) **U.S. Cl.** ..... **D9/529; D9/549**

(58) **Field of Classification Search** ..... D9/434,  
D9/4.35, 447, 449, 516, 529, 537, 539, 540,  
D9/542, 543, 545, 549, 550, 574, 575; 215/382-384;  
220/660, 662, 669, 675  
See application file for complete search history.

(56) **References Cited**

**U.S. PATENT DOCUMENTS**

- D402,894 S \* 12/1998 Elia ..... D9/504
- D519,845 S \* 5/2006 Ortiz ..... D9/651
- D520,370 S \* 5/2006 Priestman ..... D9/529
- D525,136 S \* 7/2006 Bakic ..... D9/522
- D562,142 S \* 2/2008 Bunce et al. .... D9/529
- D574,712 S \* 8/2008 Bakic ..... D9/522
- D581,280 S \* 11/2008 Oates ..... D9/529
- D582,283 S \* 12/2008 O'Donahue ..... D9/529
- D582,772 S \* 12/2008 Bakic ..... D9/449
- D587,587 S \* 3/2009 Schwartz et al. .... D9/529
- D595,136 S \* 6/2009 Canamasas Puigbo ..... D9/529

**OTHER PUBLICATIONS**

U.S. Appl. No. 11/547,580, filed Oct. 3, 2006, Title: Device and Method.

U.S. Appl. No. 11/578,211, filed Mar. 16, 2007, Title: Device and Method.

U.S. Appl. No. 11/547,579, filed Mar. 16, 2007, Title: Device and Method.

U.S. Appl. No. 29/271,844, filed Jan. 26, 2007, Title: Dispenser for Cosmetics.

U.S. Appl. No. 29/271,825, filed Jan. 26, 2007, Title: Dispenser for Cosmetics.

U.S. Appl. No. 29/294,586, filed Jan. 18, 2008, Title: Bottle.

U.S. Appl. No. 29/307,532, filed Apr. 25, 2008, Title: Jar.

U.S. Appl. No. 29/307,541, filed Apr. 25, 2008, Title: Lid.

U.S. Appl. No. 29/307,540, filed Apr. 25, 2008, Title: Lid with Spatula.

U.S. Appl. No. 29/307,543, filed Apr. 25, 2008, Title: Spatula.

U.S. Appl. No. 29/308,486, filed Jun. 18, 2008, Title: Packaging of Cosmetic Products.

U.S. Appl. No. 29/308,485, filed Jun. 18, 2008, Title: Packaging of Cosmetic Products.

\* cited by examiner

*Primary Examiner*—Stella M Reid

*Assistant Examiner*—Keli L Hill

(74) *Attorney, Agent, or Firm*—TraskBritt

(57) **CLAIM**

The ornamental design for a jar with lid, as shown and described.

**DESCRIPTION**

FIG. 1 is a perspective view showing a new design;

FIG. 2 is a front view of the new design;

FIG. 3 is a rear view of the new design;

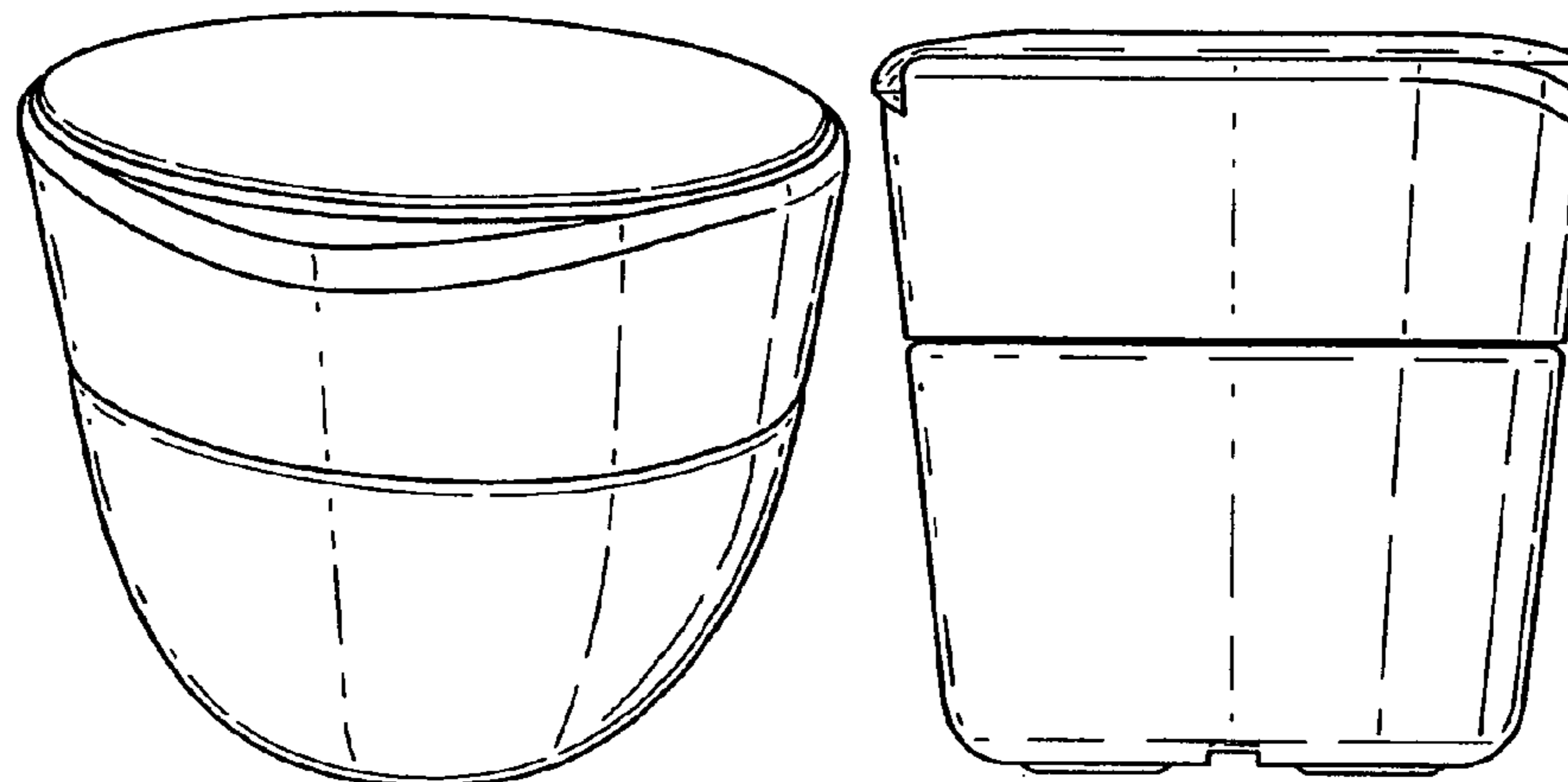
FIG. 4 is a right side view of the design;

FIG. 5 is a left side view of the design;

FIG. 6 is a top view of the new design; and,

FIG. 7 is a bottom view of the new design.

**1 Claim, 2 Drawing Sheets**



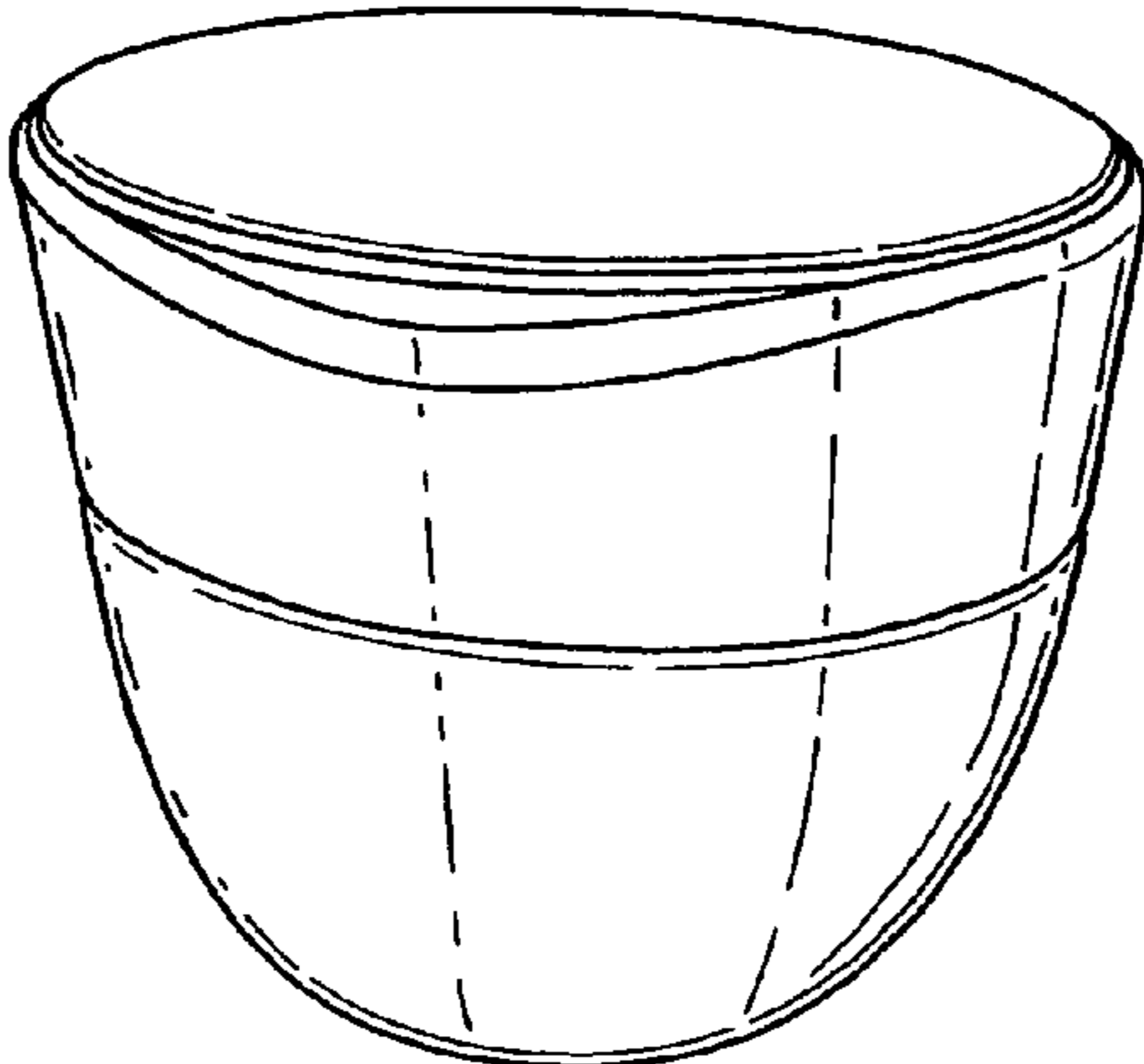


Fig. 1.

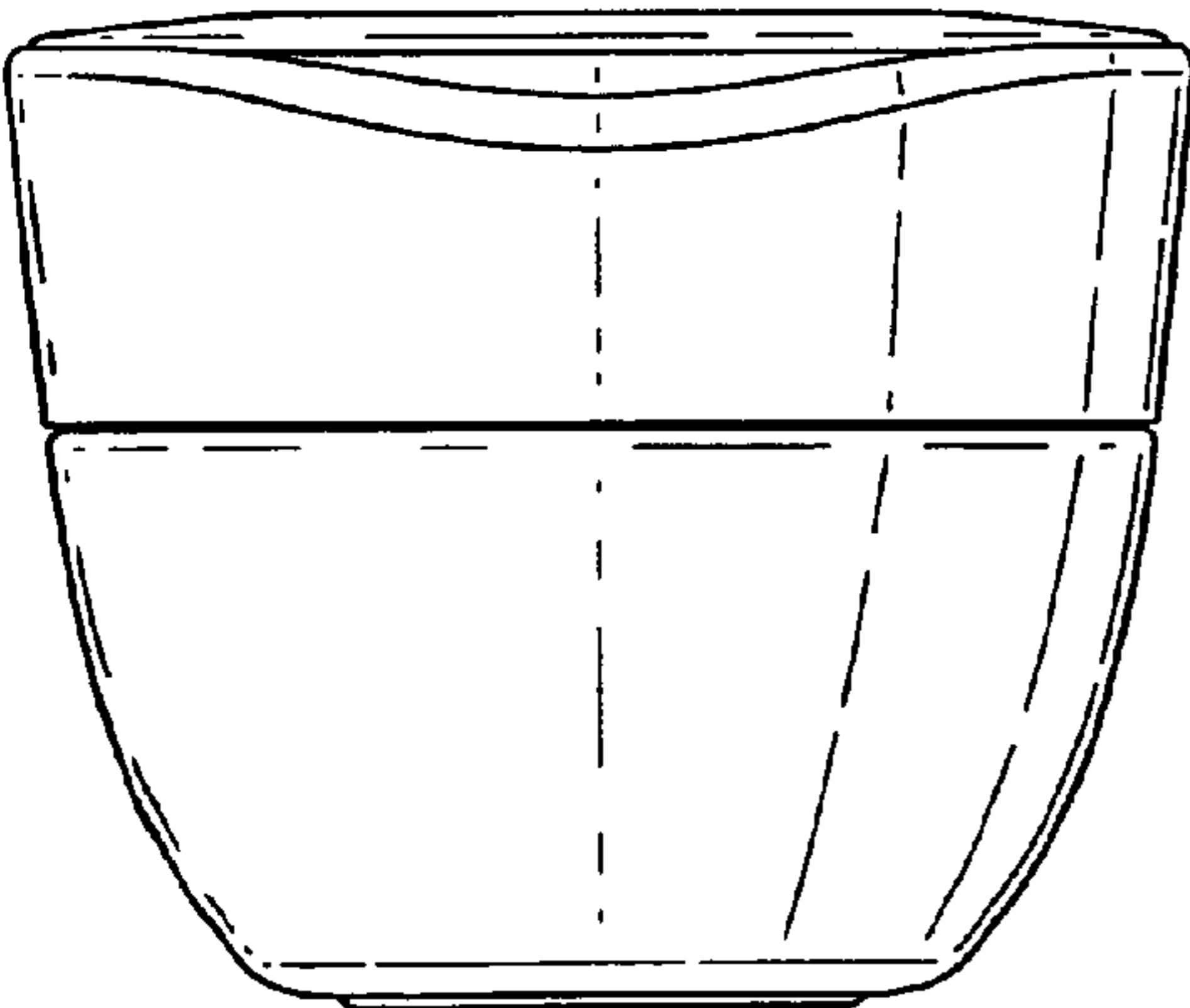


Fig. 2.

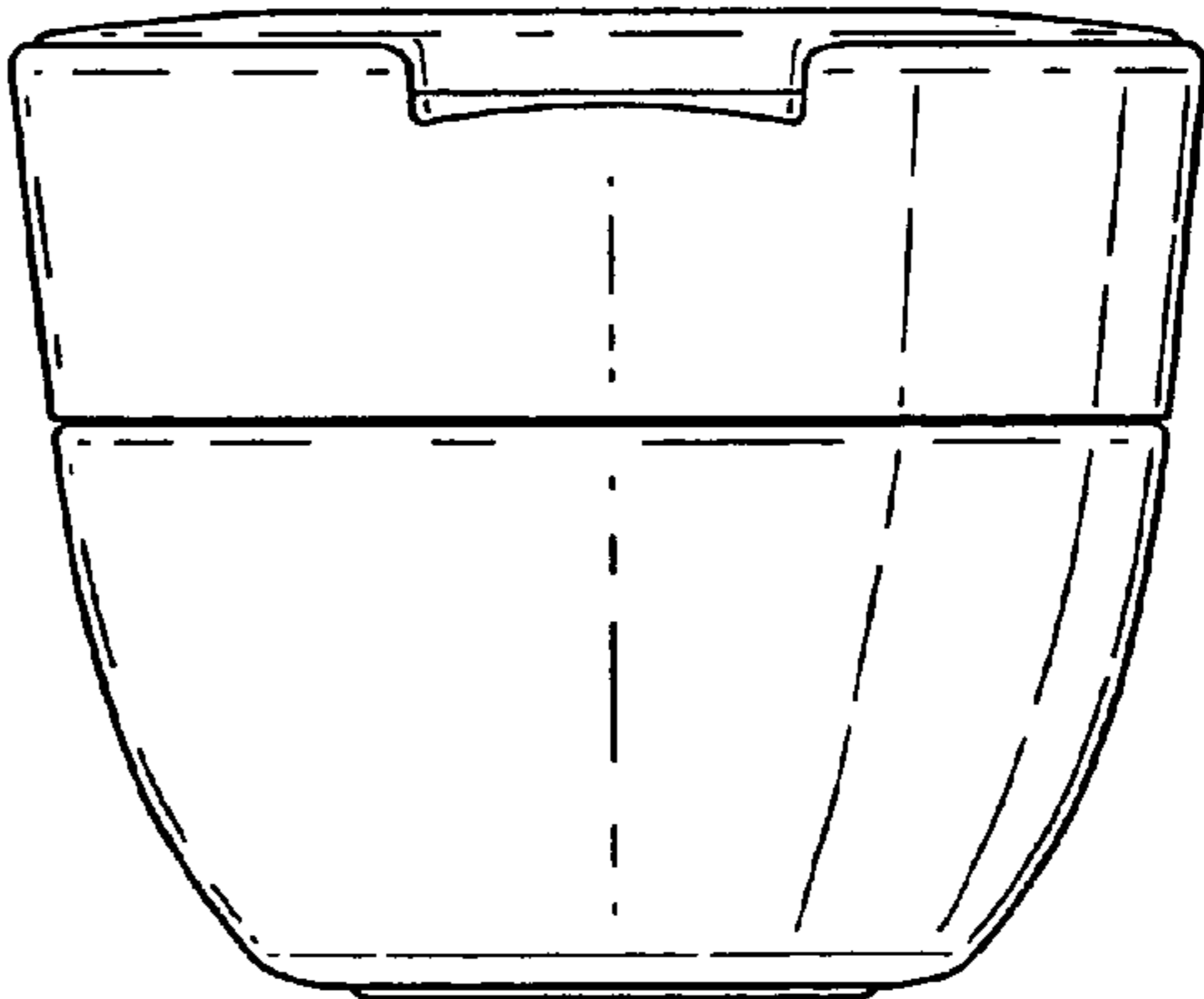


Fig. 3.

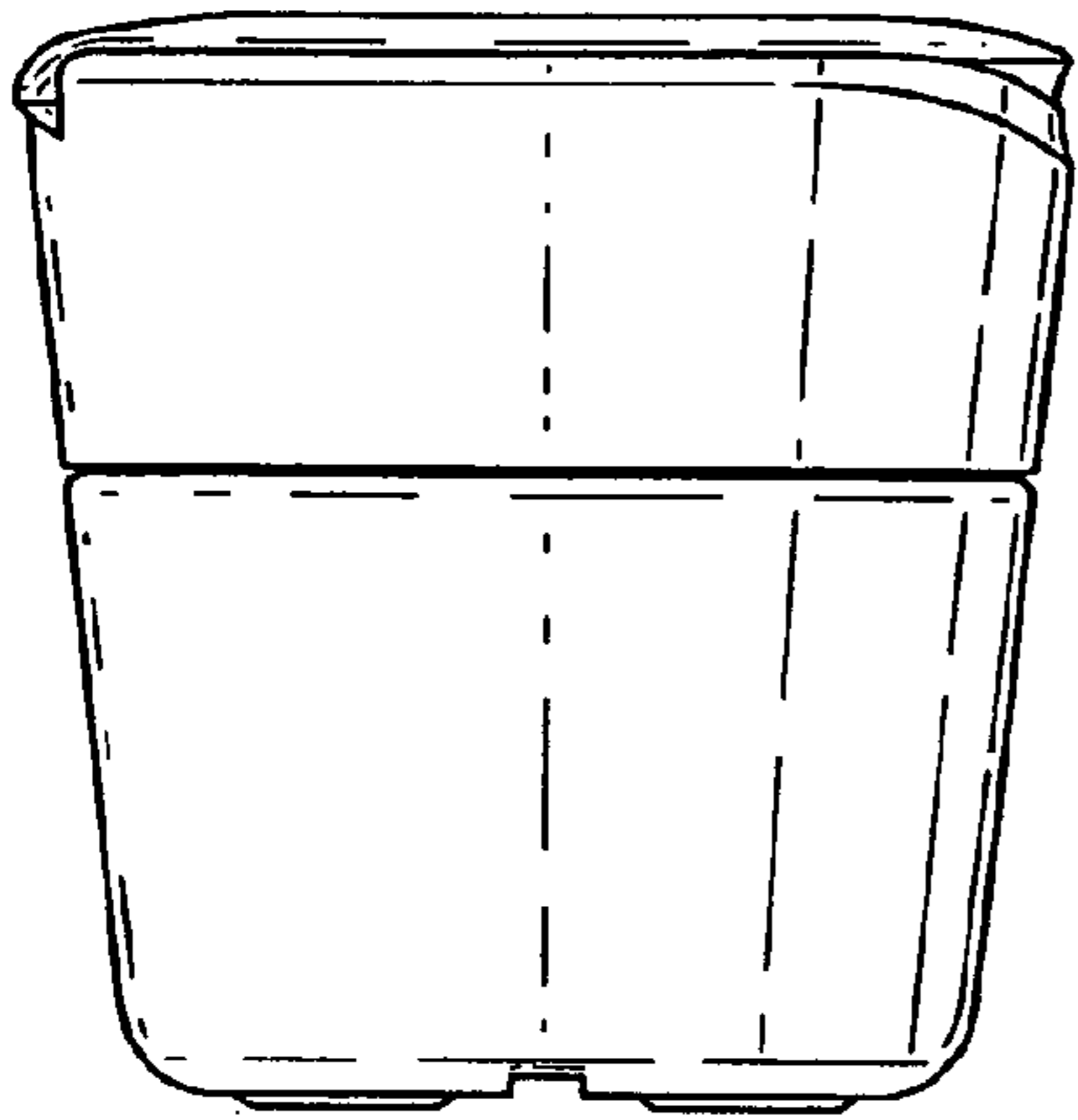


Fig.4.

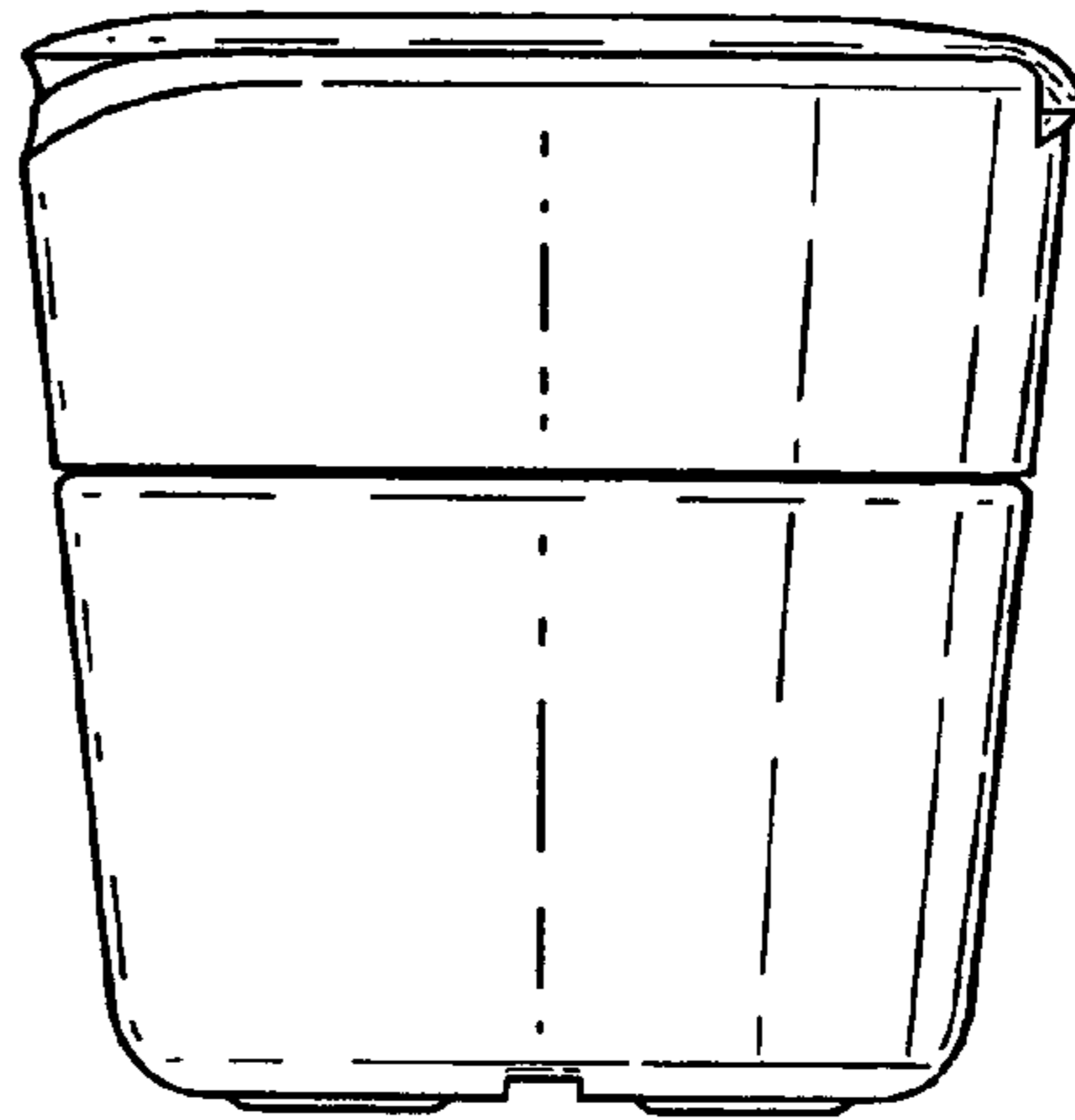


Fig.5.

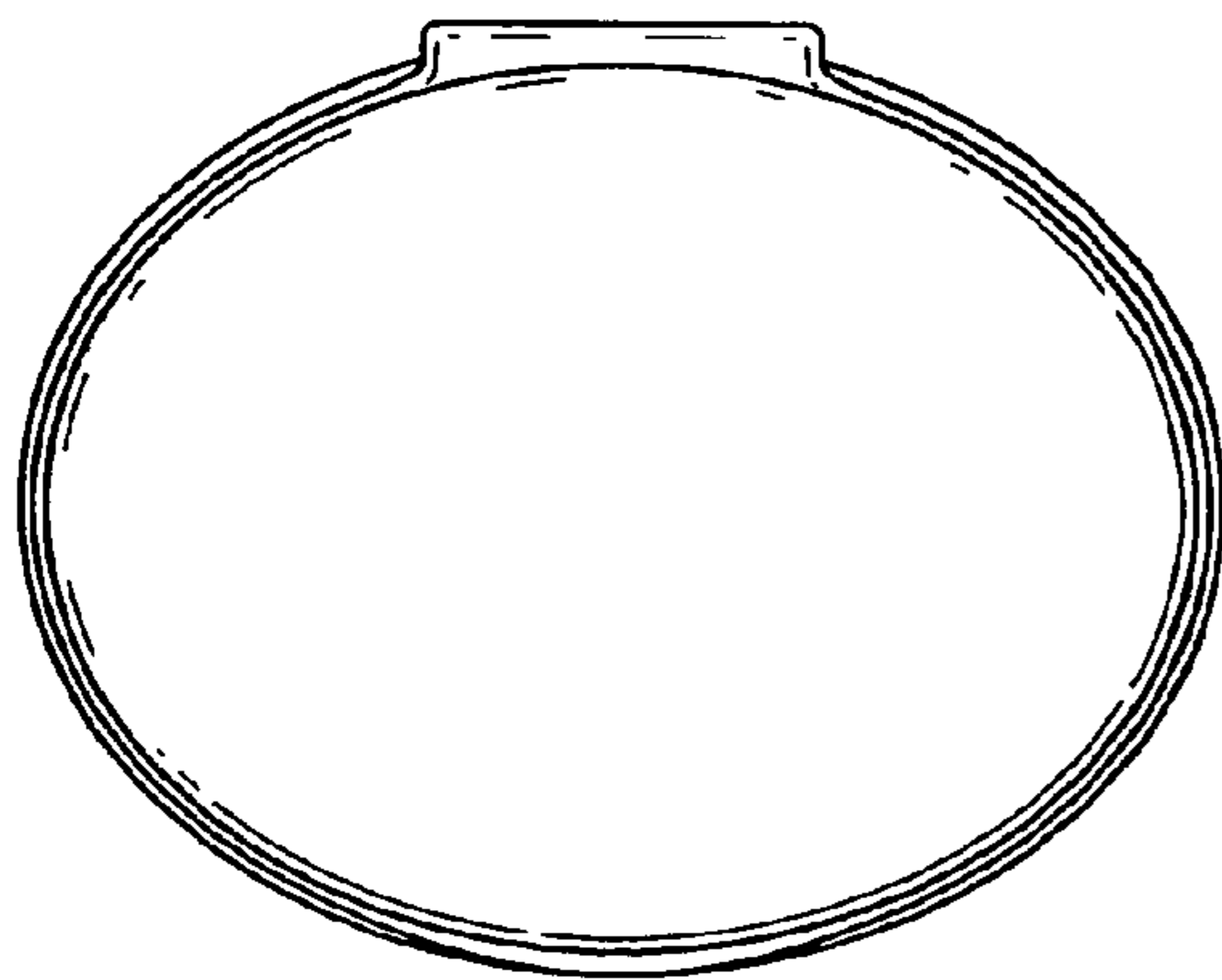


Fig.6.

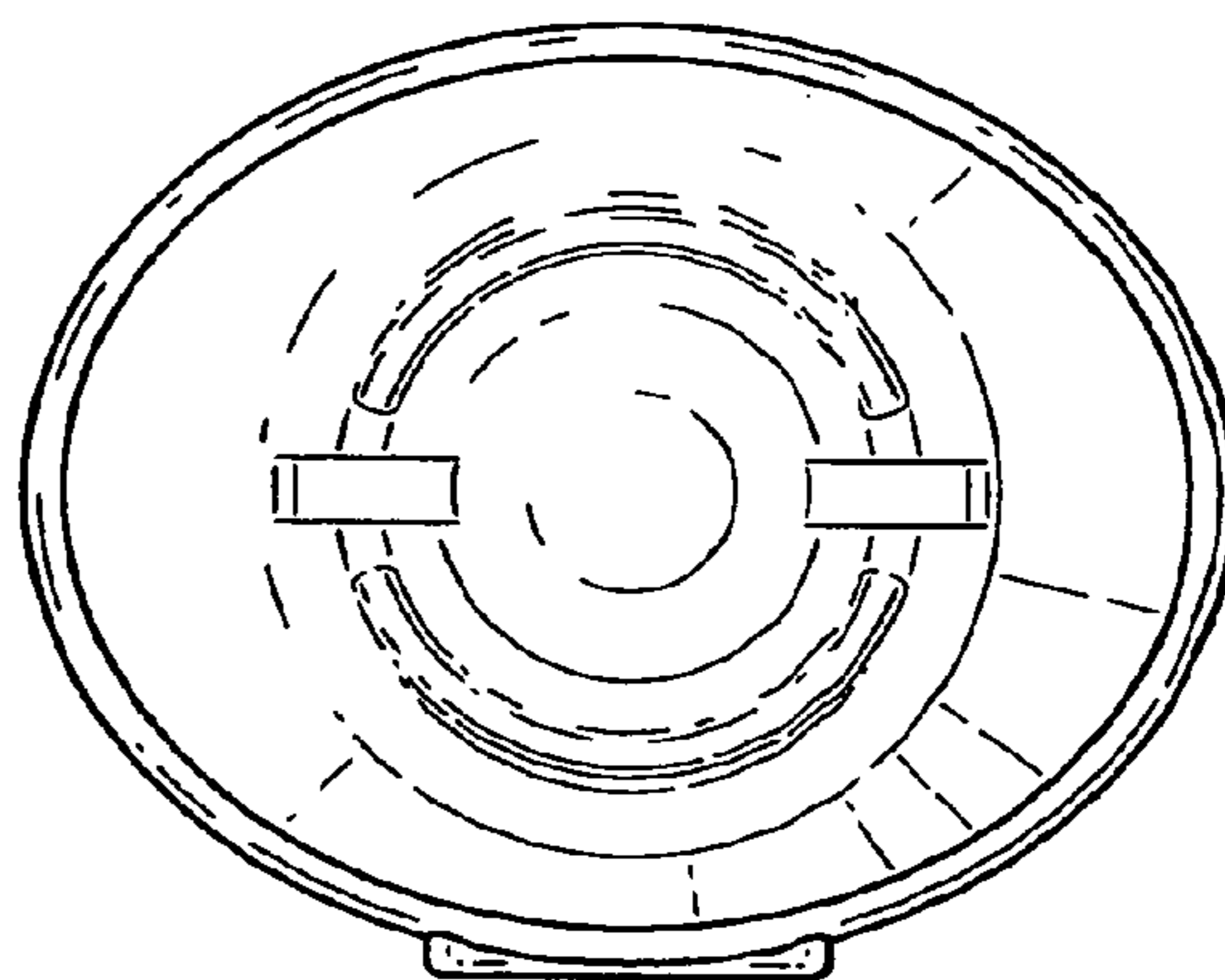


Fig.7.