



US00D603259S

(12) **United States Design Patent**  
**Arnell**

(10) **Patent No.:** **US D603,259 S**  
(45) **Date of Patent:** **\*\* Nov. 3, 2009**

- (54) **PACKAGING WITH SURFACE ORNAMENTATION**
- (75) Inventor: **Peter E. Arnell**, Katonah, NY (US)
- (73) Assignee: **PepsiCo, Inc.**, Purchase, NY (US)
- (\*\*) Term: **14 Years**
- (21) Appl. No.: **29/325,645**
- (22) Filed: **Oct. 3, 2008**

- (51) **LOC (9) Cl.** ..... **09-07**
- (52) **U.S. Cl.** ..... **D9/434; D14/490**
- (58) **Field of Classification Search** ..... D14/485-495;  
D9/516, 550, 563, 414, 434, 763; D2/728,  
D2/840, 853, 865, 891, 895, 999; D5/63-66,  
D5/99; D7/300, 396.4, 213; D11/95, 101,  
D11/116, 165, 172, 184; D12/93, 96, 102;  
D18/24-33, 99; D19/1-8; D20/10, 11, 22-28;  
715/700-867

See application file for complete search history.

(56) **References Cited**

**U.S. PATENT DOCUMENTS**

D385,545 S *	10/1997	Levin	.....	D14/489
D391,558 S *	3/1998	Marshall et al.	.....	D14/486
D451,520 S *	12/2001	Fukuda	.....	D14/485
D452,692 S *	1/2002	Fukuda	.....	D14/489
D461,193 S *	8/2002	Huntley et al.	.....	D14/489
D462,695 S *	9/2002	Nguyen Van Huong	....	D14/485
D466,129 S *	11/2002	Bungert	.....	D14/489
D521,019 S *	5/2006	Ording	.....	D14/489
D522,559 S *	6/2006	Naito et al.	.....	D16/219
7,213,051 B2 *	5/2007	Zhu et al.	.....	709/205
D559,265 S *	1/2008	Armstrong et al.	.....	D14/492
D562,836 S *	2/2008	Blencowe	.....	D14/486
D574,392 S *	8/2008	Kwag et al.	.....	D14/486
D577,738 S *	9/2008	Kwag	.....	D14/486
D579,946 S *	11/2008	Lee et al.	.....	D14/486
D582,935 S *	12/2008	Lee et al.	.....	D14/486
D587,723 S *	3/2009	Lee	.....	D14/486
D588,154 S *	3/2009	Bouchard et al.	.....	D14/489
D589,529 S *	3/2009	O'Donnell et al.	.....	D14/489

D593,571 S *	6/2009	Ball et al.	.....	D14/485
D593,573 S *	6/2009	Kim et al.	.....	D14/486
D595,308 S *	6/2009	King	.....	D14/486
D595,311 S *	6/2009	Ozzie et al.	.....	D14/489
D595,727 S *	7/2009	Koes et al.	.....	D14/485
2008/0287169 A1 *	11/2008	Kim et al.	.....	455/575.4

**OTHER PUBLICATIONS**

U.S. Trademark Application Serial No. 78218521, filed Feb. 25, 2003; "6 Packs".\*

\* cited by examiner

*Primary Examiner*—Cathron C Brooks  
*Assistant Examiner*—Deanna Fluegeman  
(74) *Attorney, Agent, or Firm*—Banner & Witcoff, Ltd.

(57) **CLAIM**

The ornamental design for packaging with surface ornamentation, as shown and described.

**DESCRIPTION**

FIG. 1 is a front elevational view of the packaging with surface ornamentation of the present invention;

FIG. 2 is an additional front elevational view thereof, shown in an alternate unclaimed environment,

FIG. 3 is an additional front elevational view thereof, shown in an alternate unclaimed environment,

FIG. 4 is an additional front elevational view thereof, shown in an alternate unclaimed environment,

FIG. 5 is an additional front elevational view thereof, shown in an alternate unclaimed environment,

FIG. 6 is an additional front elevational view thereof, shown in an alternate unclaimed environment; and,

FIG. 7 is an additional front elevational view thereof, shown in an alternate unclaimed environment.

The broken line showing of the packaging is included for the purpose of illustrating unclaimed environment and forms no part of the claimed design.

**1 Claim, 7 Drawing Sheets**

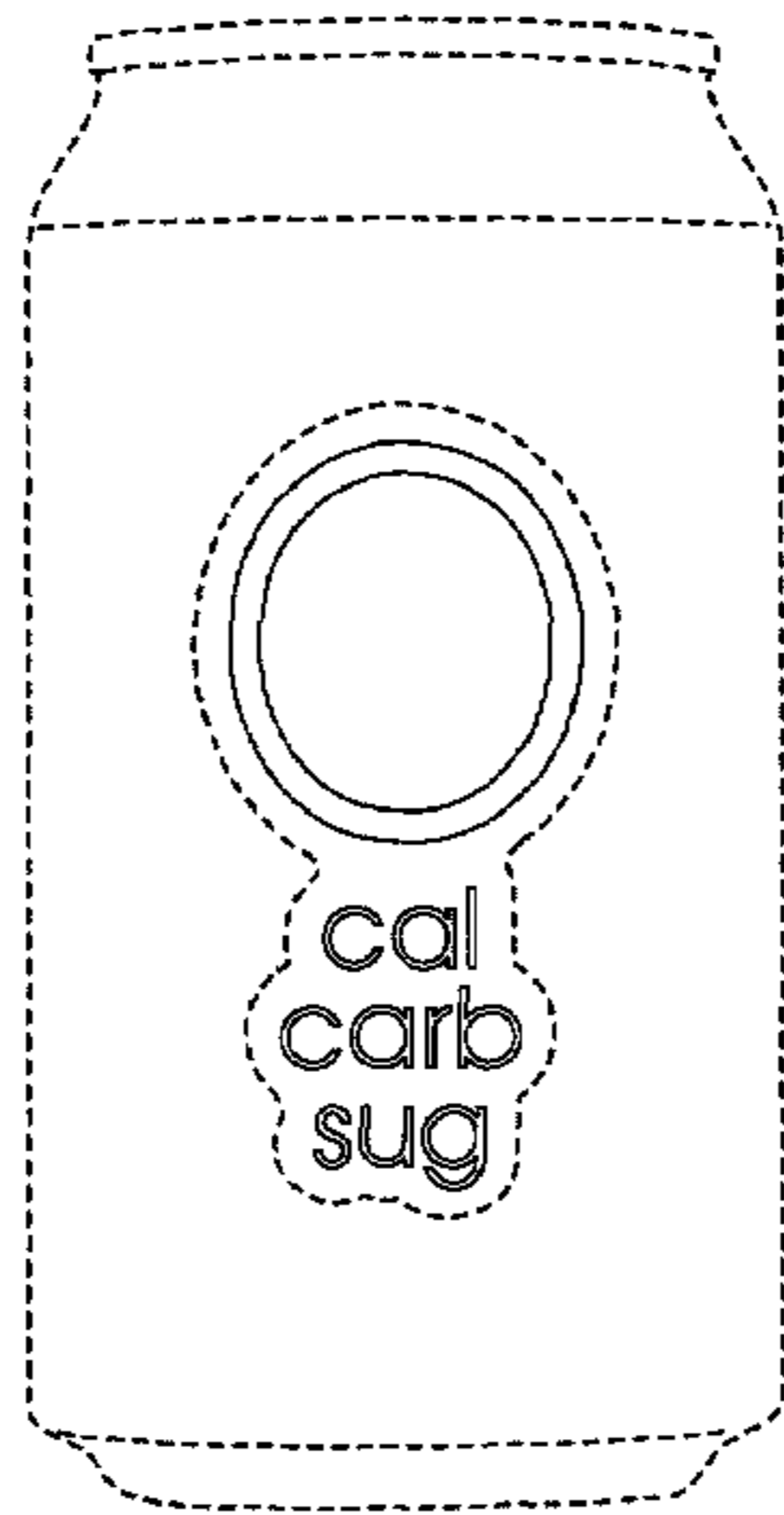




FIG. 1

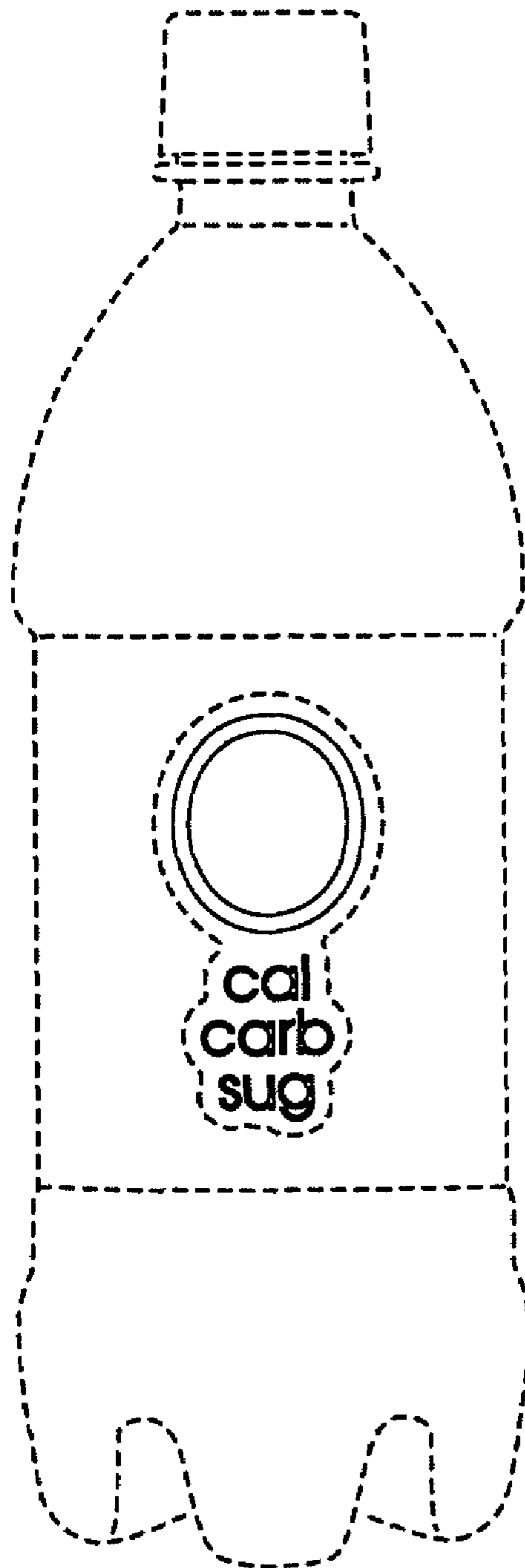


FIG. 2

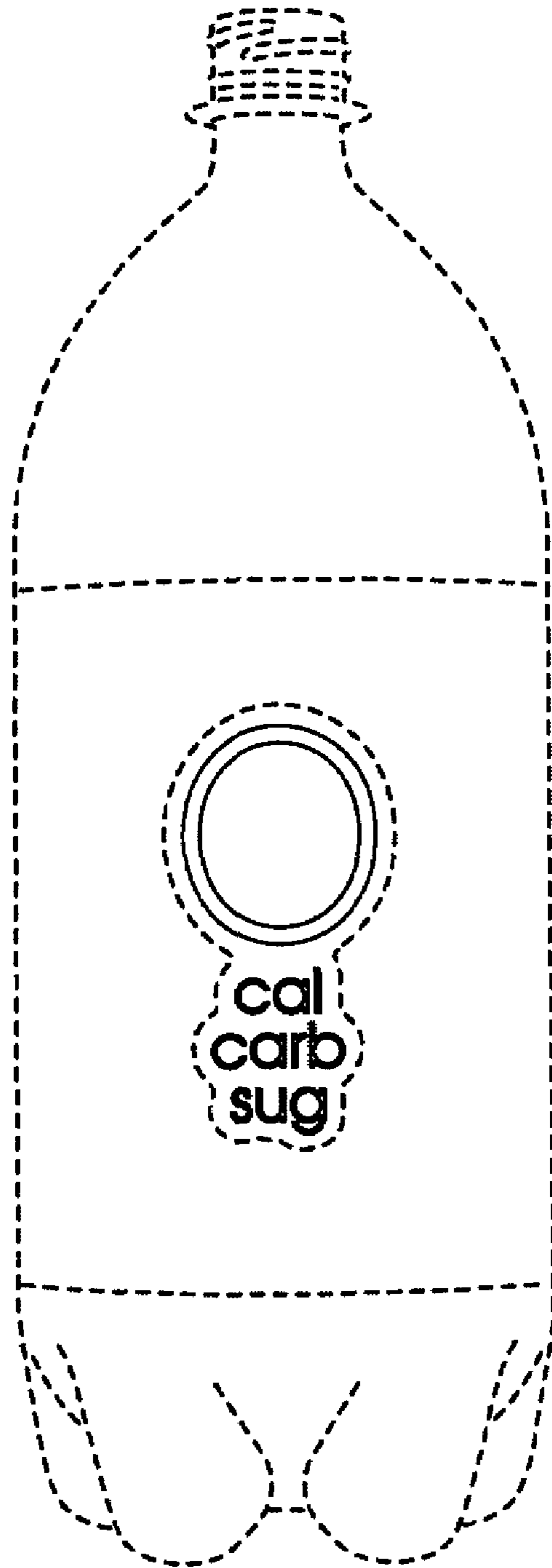


FIG. 3

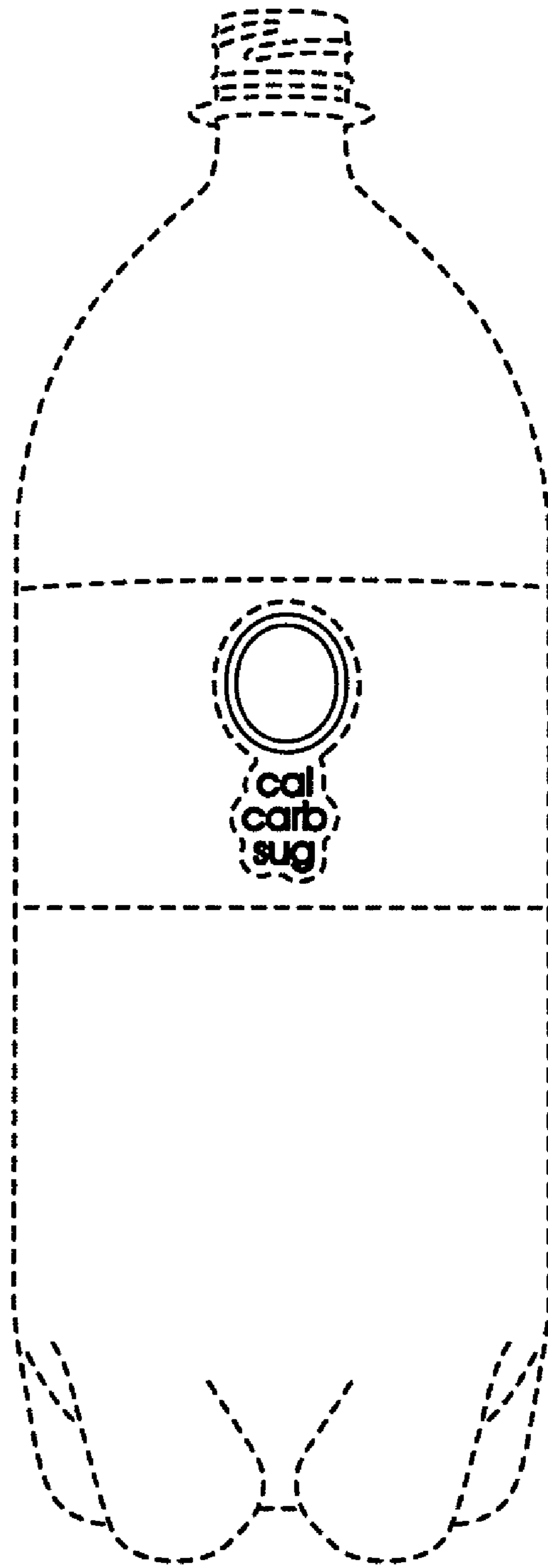


FIG. 4

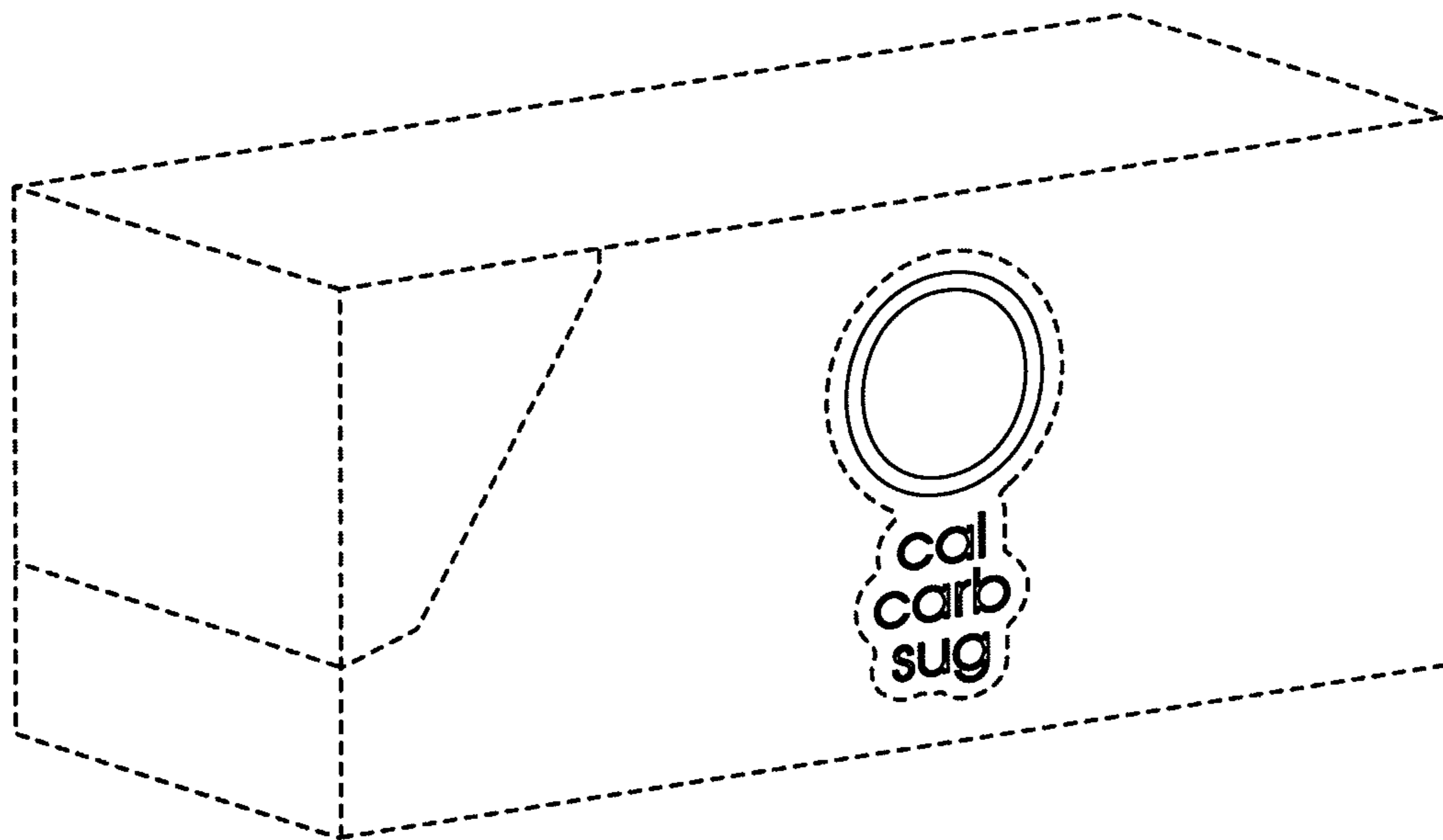


FIG. 5

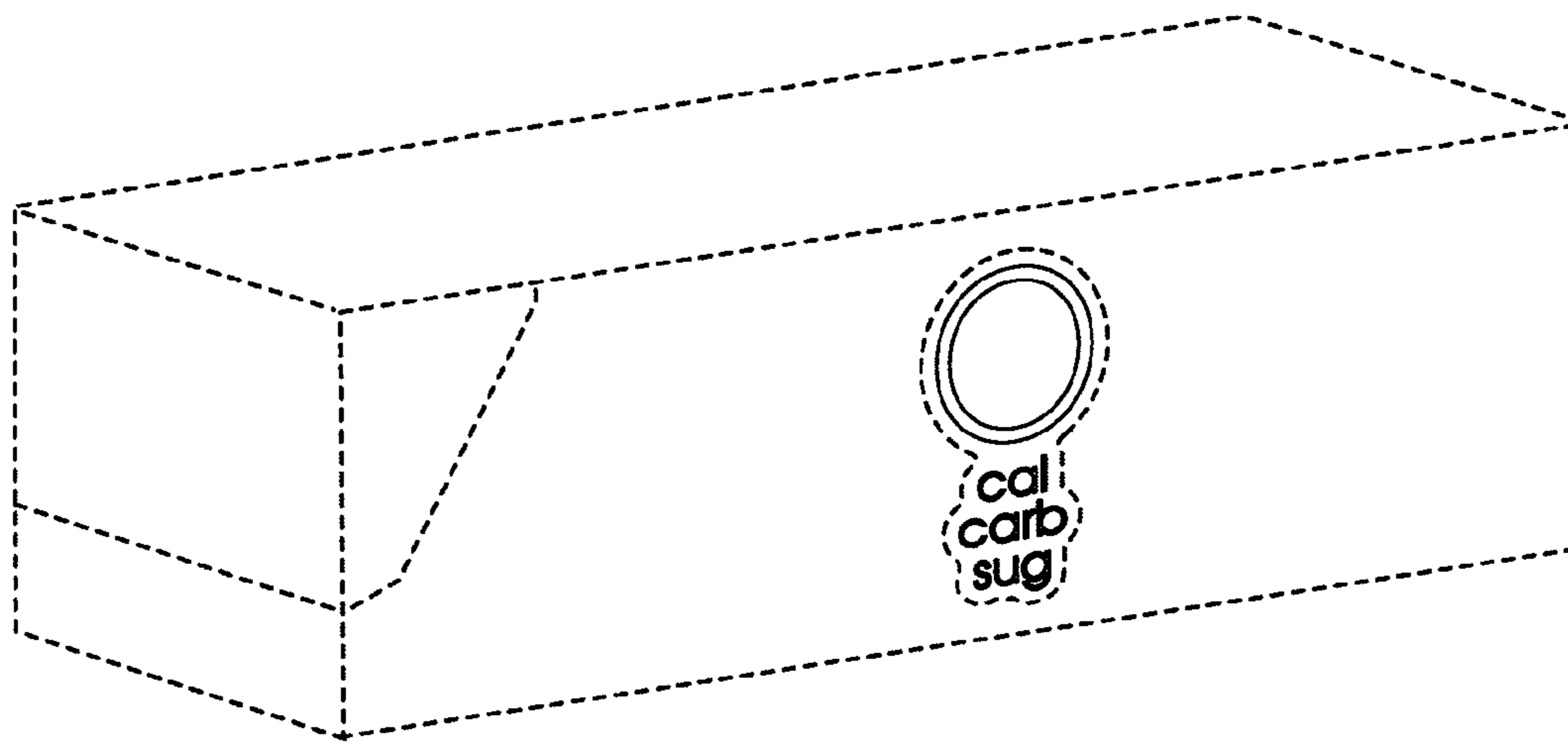


FIG. 6

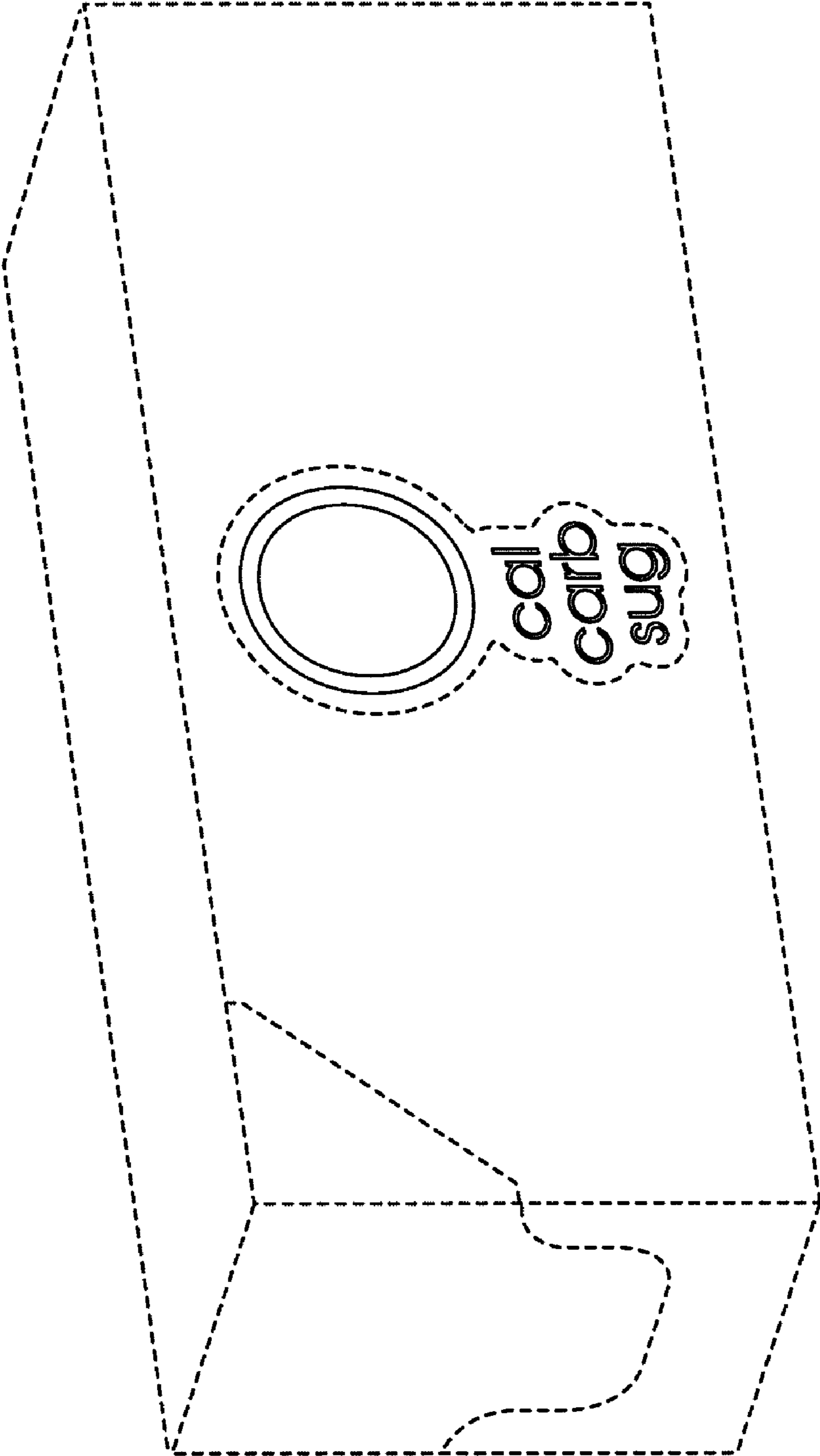


FIG. 7