



(12) **United States Design Patent**
Taketomi et al.

(10) **Patent No.:** **US D603,258 S**
(45) **Date of Patent:** **** Nov. 3, 2009**

(54) **PACKAGE**

(75) Inventors: **Hiroyuki Taketomi**, Tosu (JP);
Hirotohi Kitagawa, Tokyo (JP)
(73) Assignee: **Hisamitsu Pharmaceutical Co., Inc.**,
Tosu-shi, Sage (JP)
(**) Term: **14 Years**
(21) Appl. No.: **29/332,087**
(22) Filed: **Feb. 9, 2009**

(30) **Foreign Application Priority Data**

Aug. 22, 2008 (JP) D2008-021625

(51) **LOC (9) Cl.** **09-03**
(52) **U.S. Cl.** **D9/433; D9/432**
(58) **Field of Classification Search** D9/430-433,
D9/414, 418, 420-423; D3/272; 206/278,
206/297, 299, 457, 770, 737, 822; 229/100,
229/101, 101.3, 106, 108, 108.1, 116.1, 116.3,
229/116.5, 121, 122, 201, 213, 221, 222,
229/227, 922, 939, 942, 87.08, 101.2, 193,
229/195, 197

See application file for complete search history.

(56) **References Cited**

U.S. PATENT DOCUMENTS

390,307 A * 10/1888 Munson 229/120.17

(Continued)

Primary Examiner—Robert M Spear
Assistant Examiner—Karen Acker
(74) *Attorney, Agent, or Firm*—Leydig, Voit & Mayer, Ltd.

(57) **CLAIM**

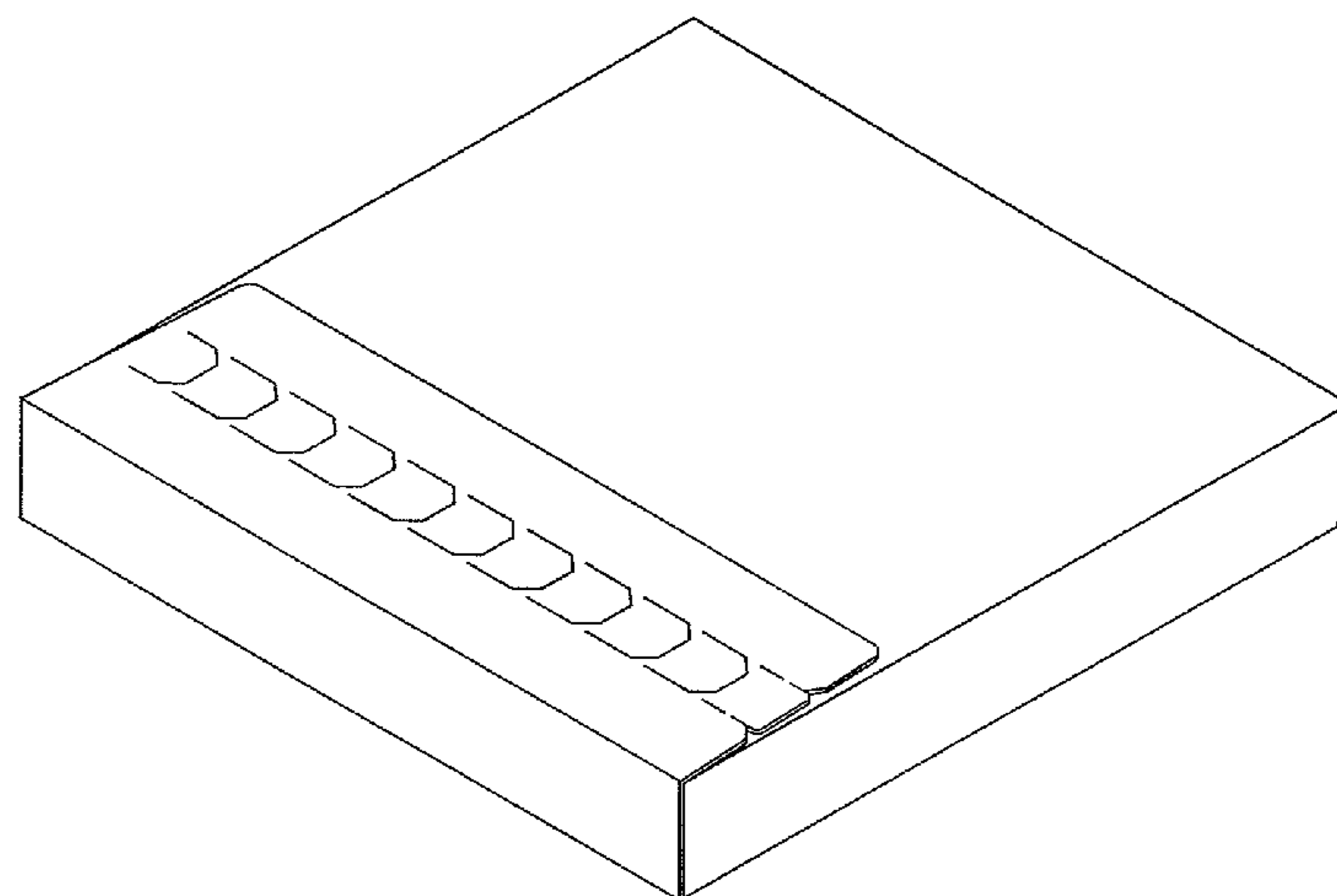
The ornamental design for a package, as shown and described.

DESCRIPTION

FIG. 1 is a front view of a package of the present invention.

FIG. 2 is a rear view of the package of FIG. 1.
FIG. 3 is a top plan view of the package of FIG. 1.
FIG. 4 is a bottom view of the package of FIG. 1.
FIG. 5 is a right side view of the package of FIG. 1.
FIG. 6 is a left side view of the package of FIG. 1.
FIG. 7 is a perspective view of the package of FIG. 1.
FIG. 8 is an enlarged cross-sectional view of the package of FIG. 1 taken along the line 8—8 in FIG. 1.
FIG. 9 is an enlarged cross-sectional view of the package of FIG. 1 taken along the line 9—9 in FIG. 4.
FIG. 10 is a front view of the inner box of the package of FIG. 1.
FIG. 11 is a rear view of the inner box of the package of FIG. 1.
FIG. 12 is a top plan view of the inner box of the package of FIG. 1.
FIG. 13 is a bottom view of the inner box of the package of FIG. 1.
FIG. 14 is a right side view of the inner box of the package of FIG. 1.
FIG. 15 is a left side view of the inner box of the package of FIG. 1.
FIG. 16 is a perspective view of the inner box of the package of FIG. 1.
FIG. 17 is a reduced scale view of the outer box of the package of FIG. 1 in an unfolded state.
FIG. 18 is a reduced scale view of the inner box of the package of FIG. 1 in an unfolded state; and,
FIG. 19 is perspective view of the package of FIG. 1 in an opened state showing the inner box partially removed from the outer box.
The broken lines within the drawings represent fold and perforation lines and are part of the claimed design.

1 Claim, 19 Drawing Sheets



US D603,258 S

Page 2

U.S. PATENT DOCUMENTS

1,668,234	A *	5/1928	Fancher	229/125.19	D455,958	S *	4/2002	Burrus	D9/433
2,354,239	A *	7/1944	Williamson	206/273	6,676,013	B2 *	1/2004	Auclair	229/122
2,936,944	A *	5/1960	Moore	229/125.125	D521,862	S *	5/2006	Siethoff et al.	D9/432
3,121,525	A *	2/1964	Hayes	206/523	7,172,110	B2 *	2/2007	Jackson	229/169
3,184,050	A *	5/1965	Dahlberg et al.	206/229	D554,495	S *	11/2007	Hanji	D9/418
3,648,918	A *	3/1972	Van Inwagen	229/125.125	7,299,968	B2 *	11/2007	Mittmann et al.	229/125.125
4,049,190	A *	9/1977	O'Neill	229/224	D574,230	S *	8/2008	Bowman et al.	D9/418
4,077,512	A *	3/1978	Heaton	206/45.2	D586,653	S *	2/2009	Moore et al.	D9/433
4,083,454	A *	4/1978	O'Neill	229/240	D591,593	S *	5/2009	Stannard et al.	D9/433
4,189,087	A *	2/1980	Dlugopolski	229/147	2006/0037876	A1 *	2/2006	Fath et al.	206/271
4,497,401	A *	2/1985	Ackerman	206/131	2006/0283925	A1 *	12/2006	Specker	229/120.24
D401,853	S *	12/1998	Stavridis	D9/432	2009/0108054	A1 *	4/2009	Tsai	229/125.15

* cited by examiner

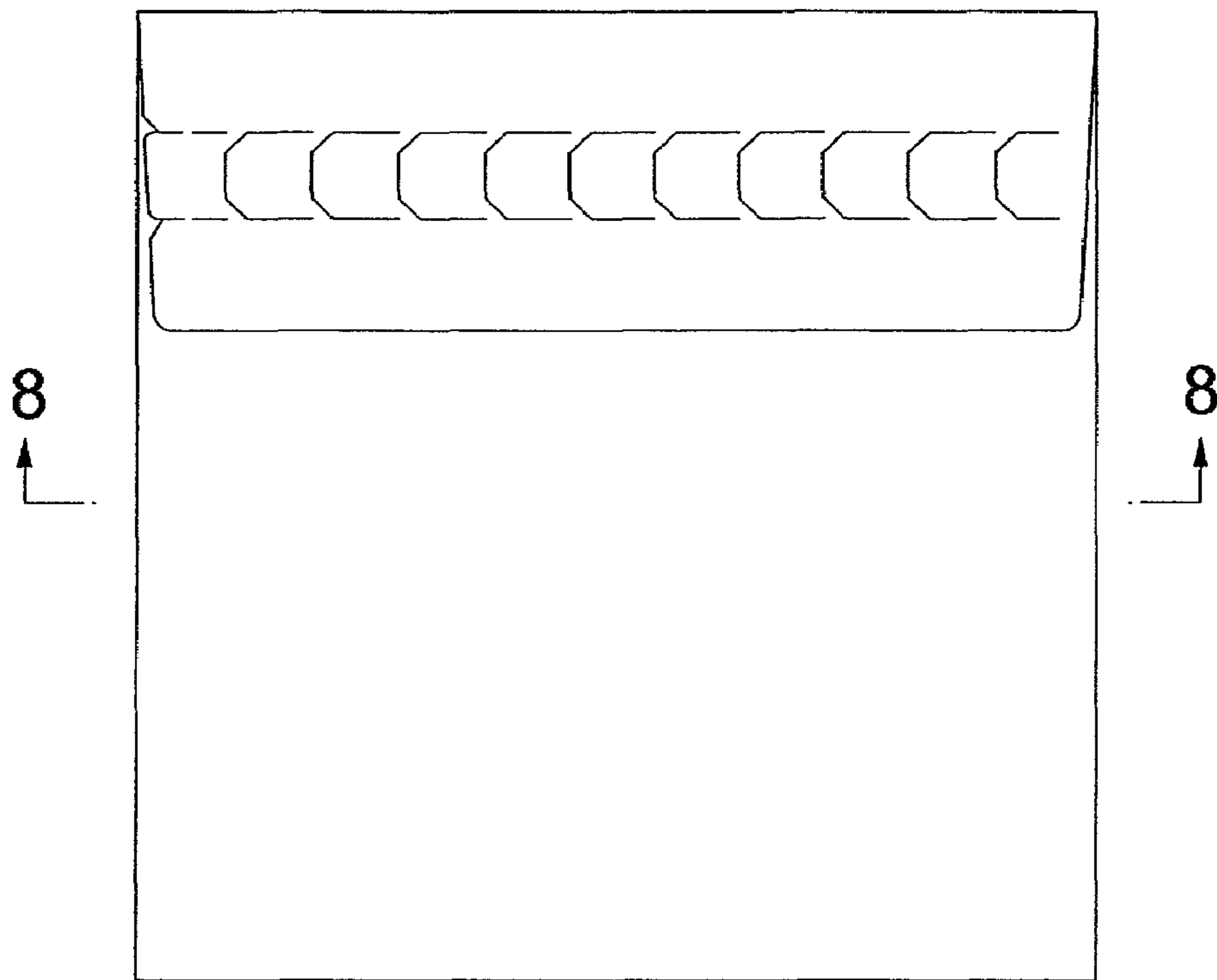


FIGURE 1

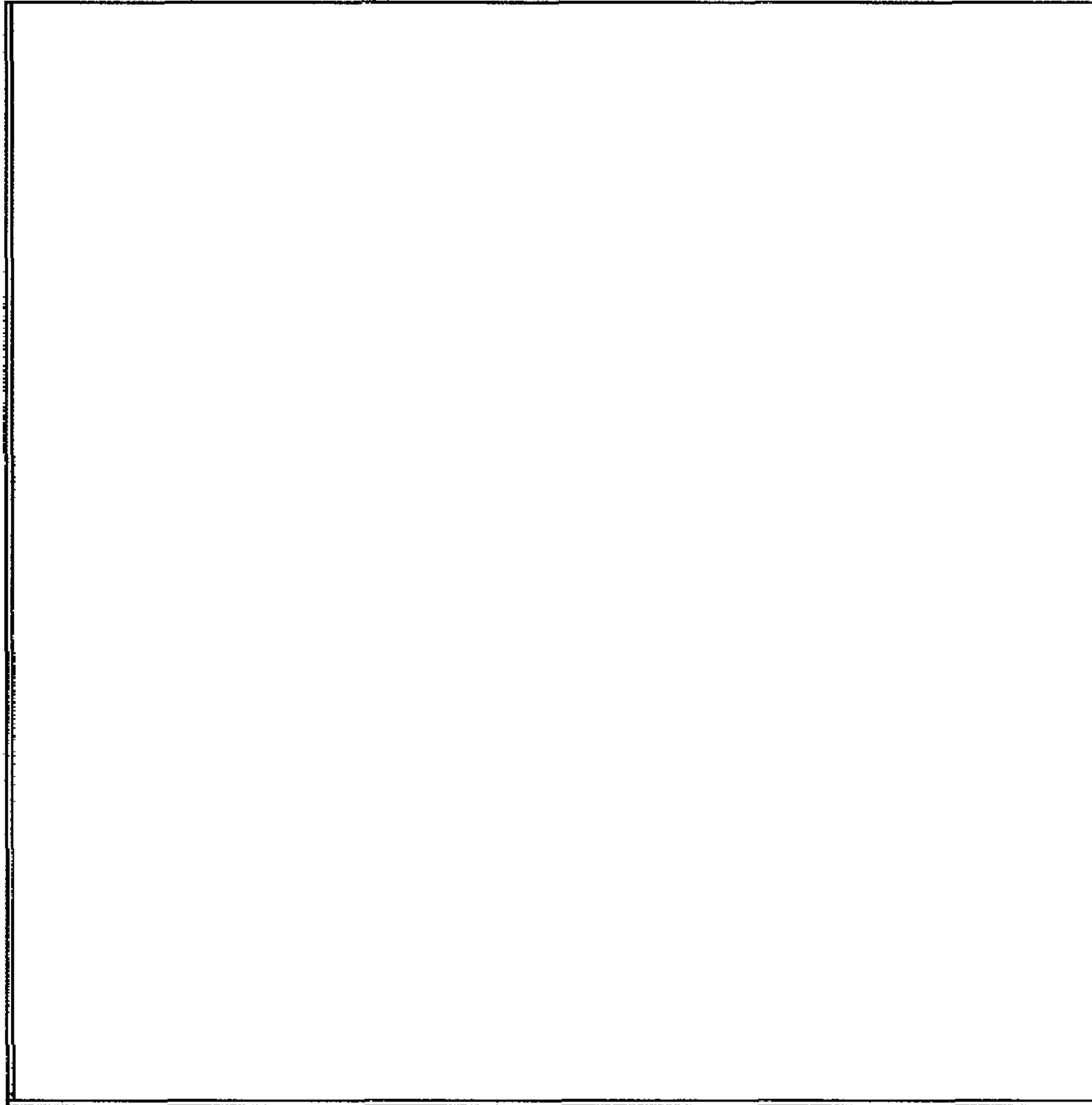


Figure 2

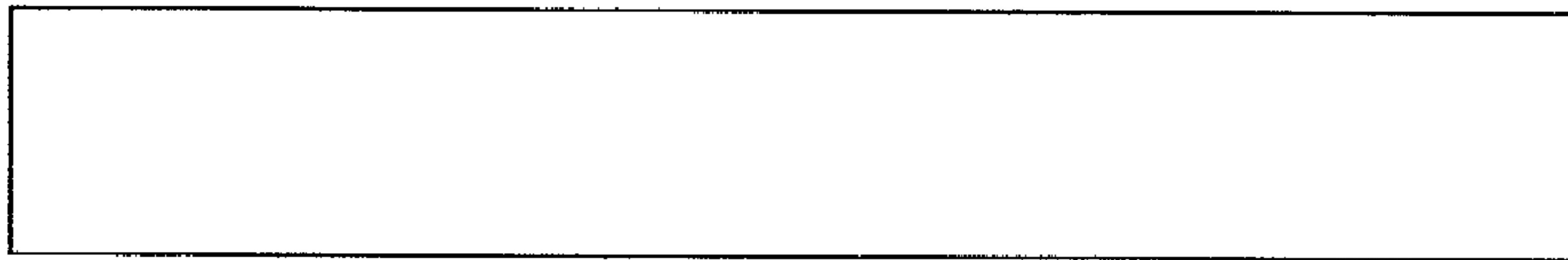


Figure 3

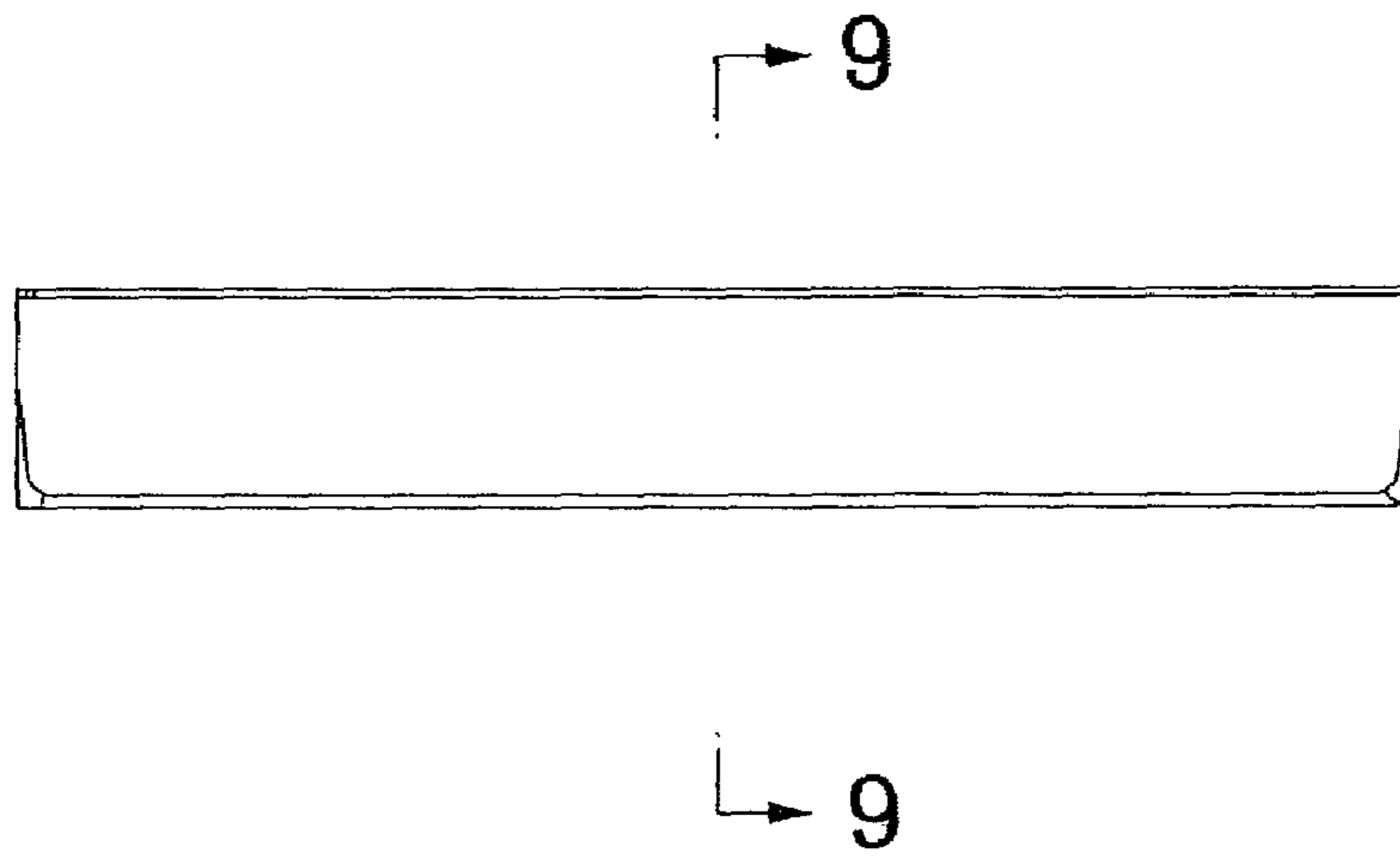


FIGURE 4

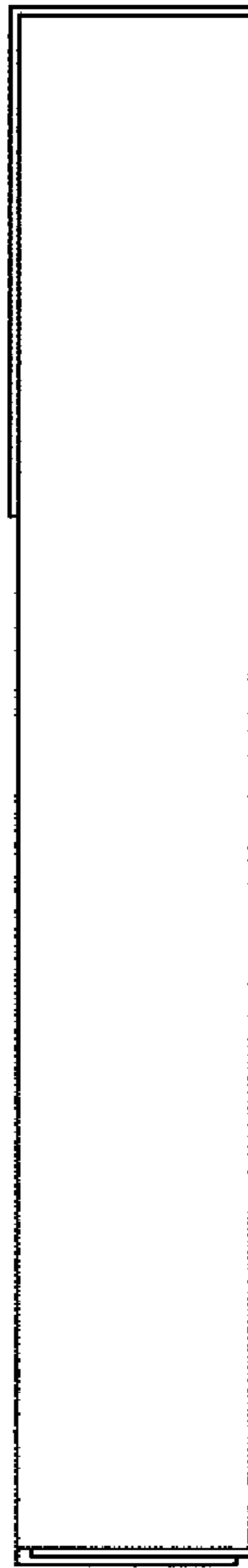


Figure 5

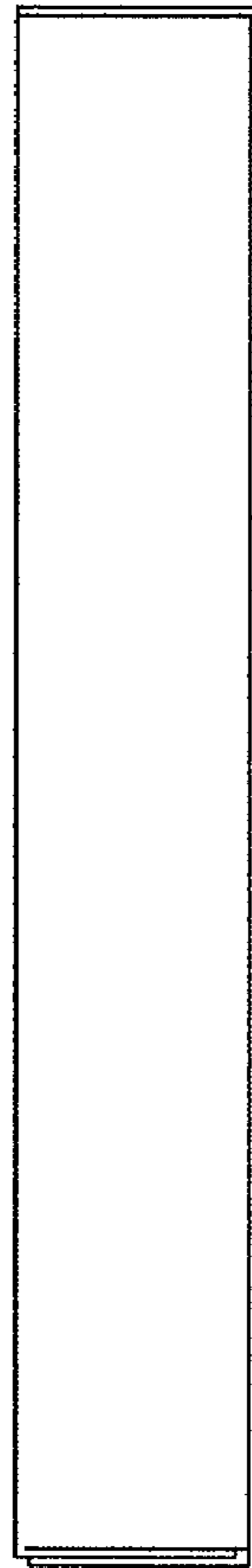


Figure 6

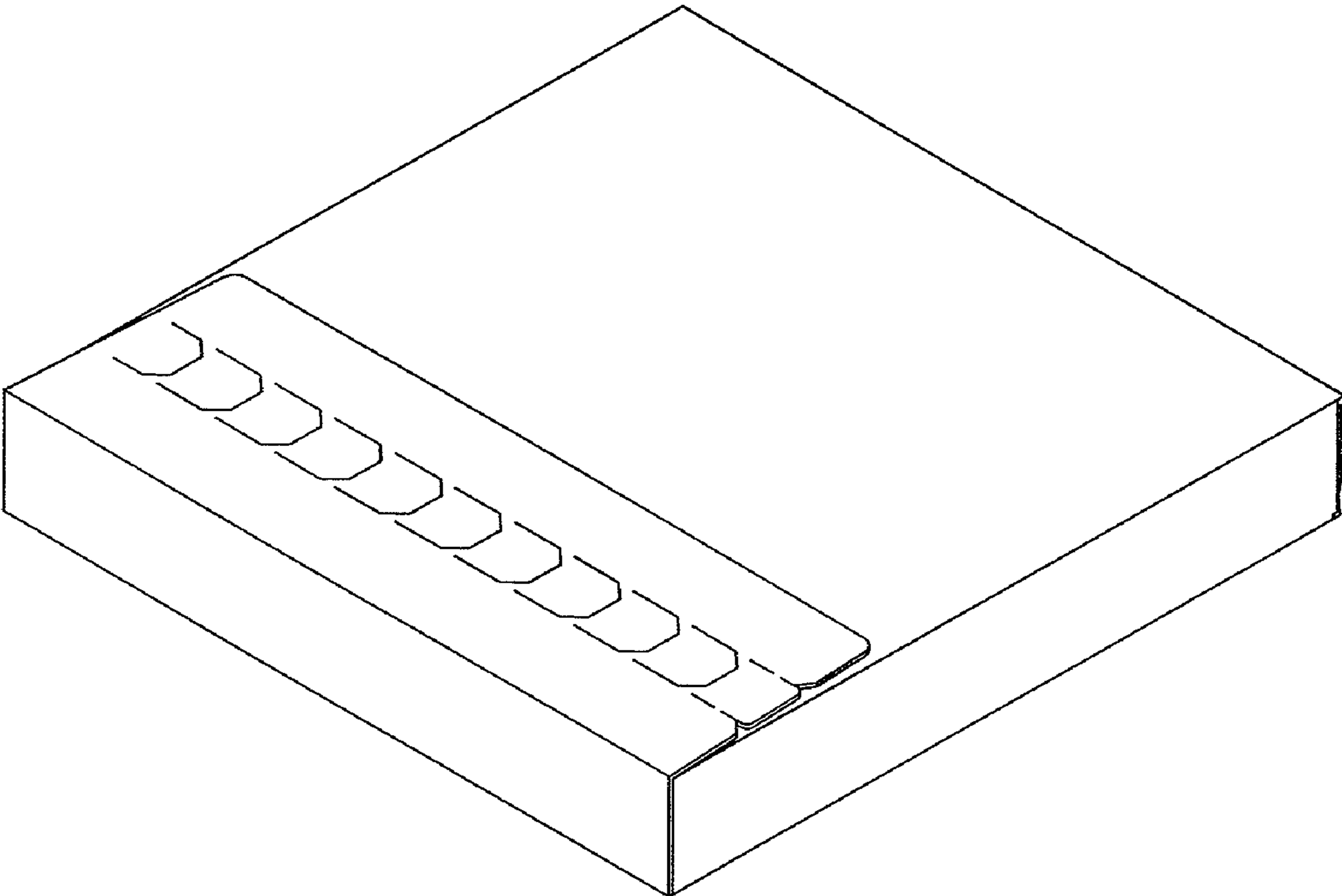


Figure 7

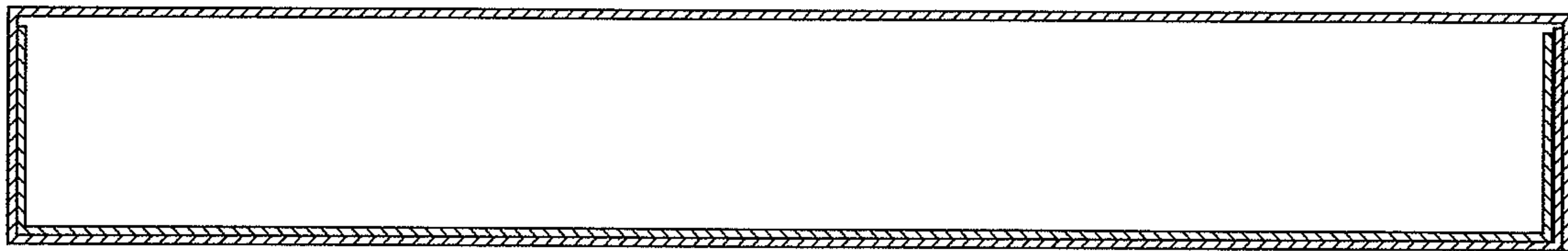


Figure 8

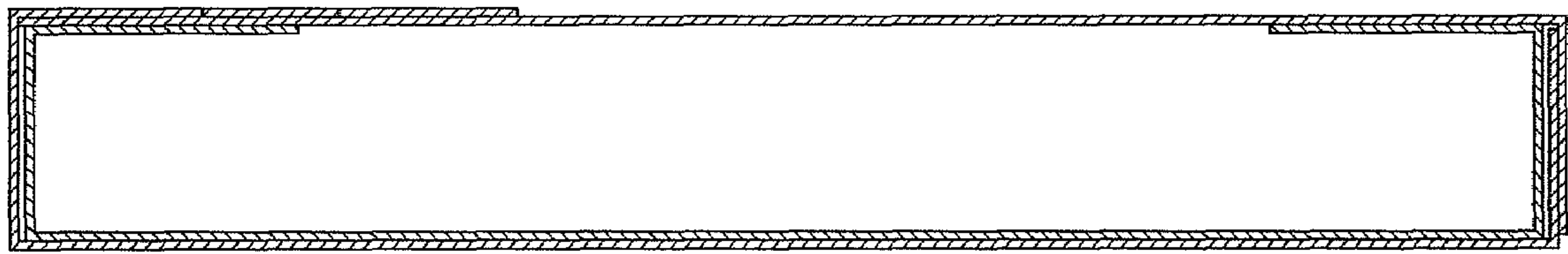


Figure 9

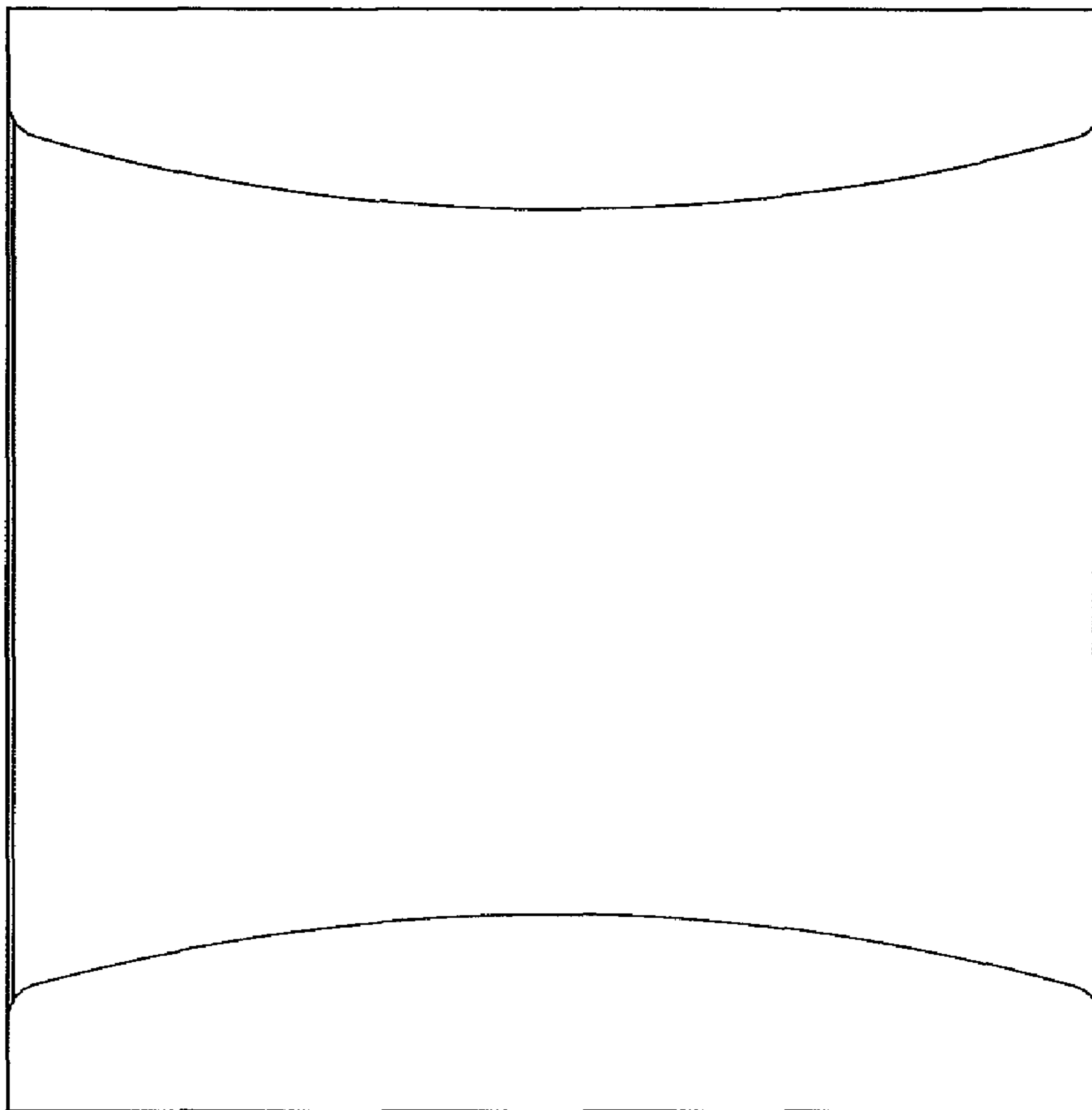


Figure 10

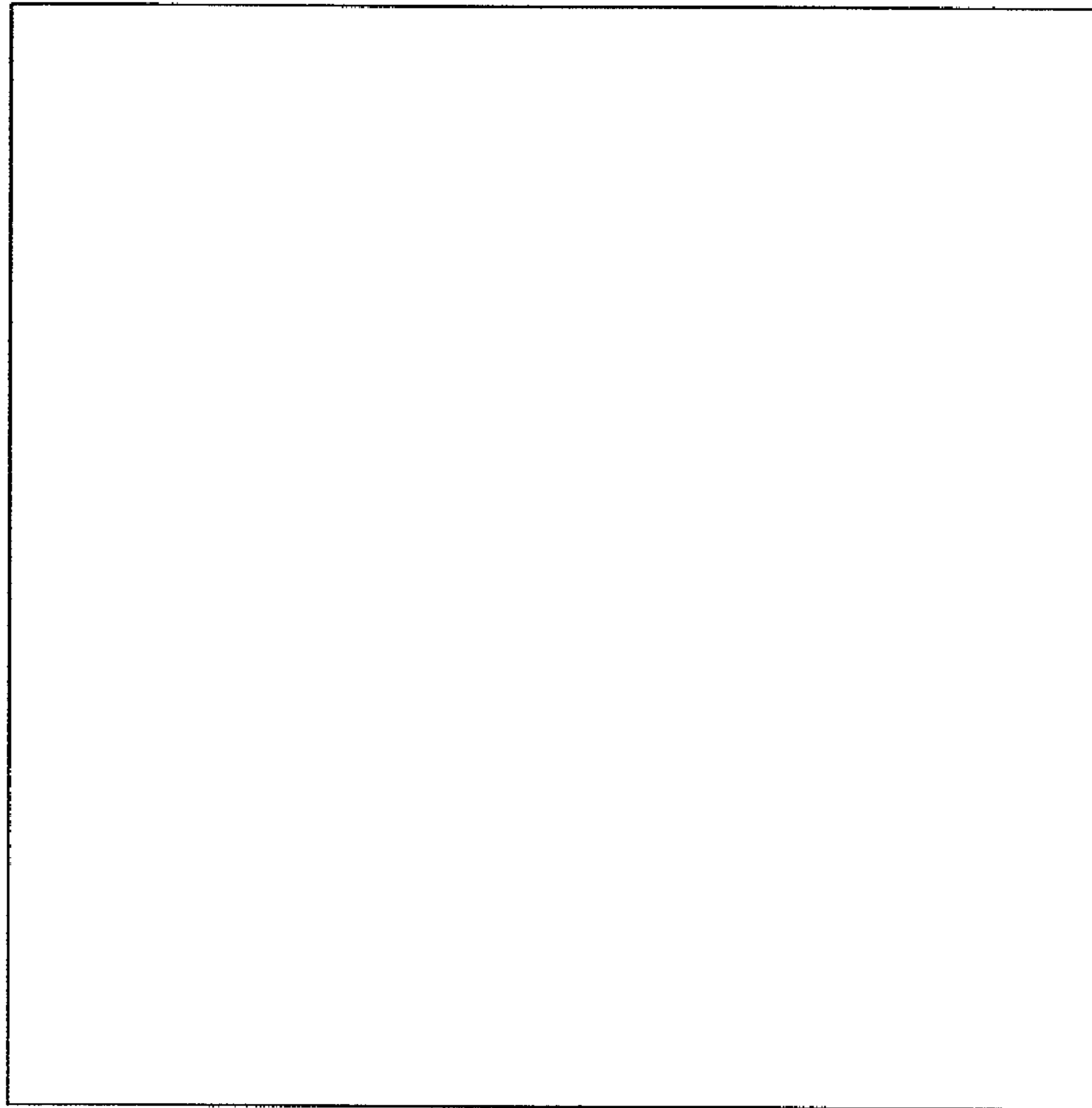


Figure 11

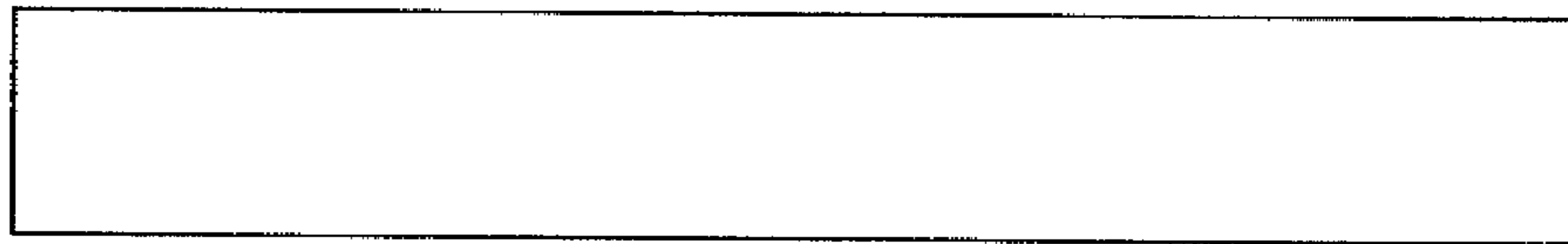


Figure 12



Figure 13

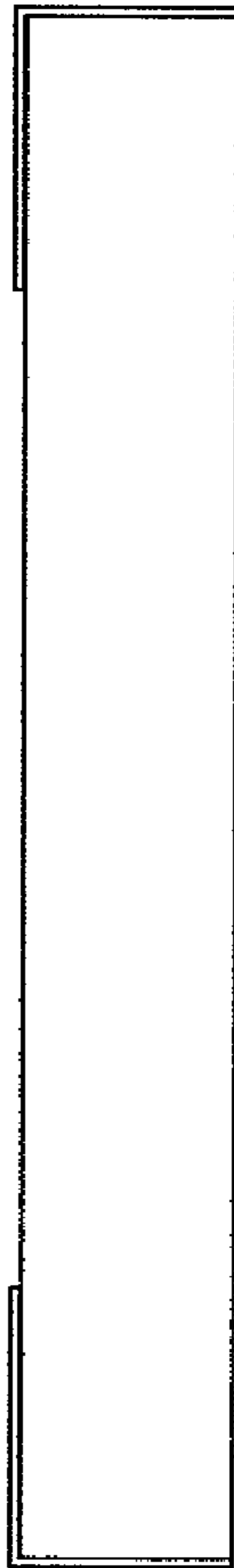


Figure 14

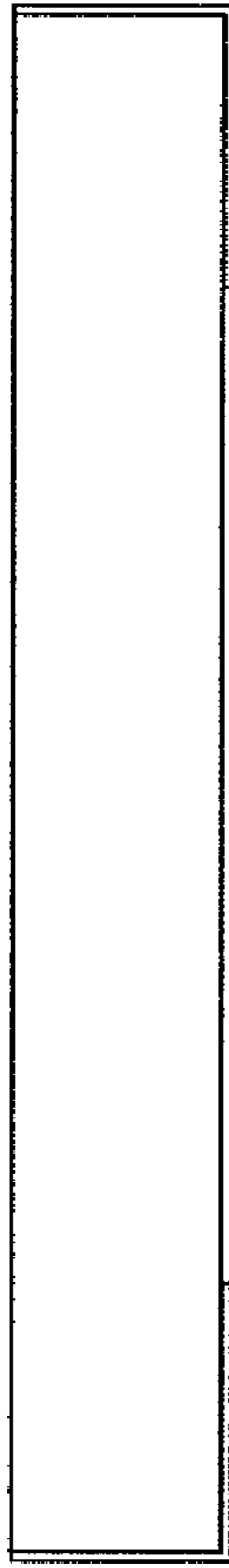


Figure 15

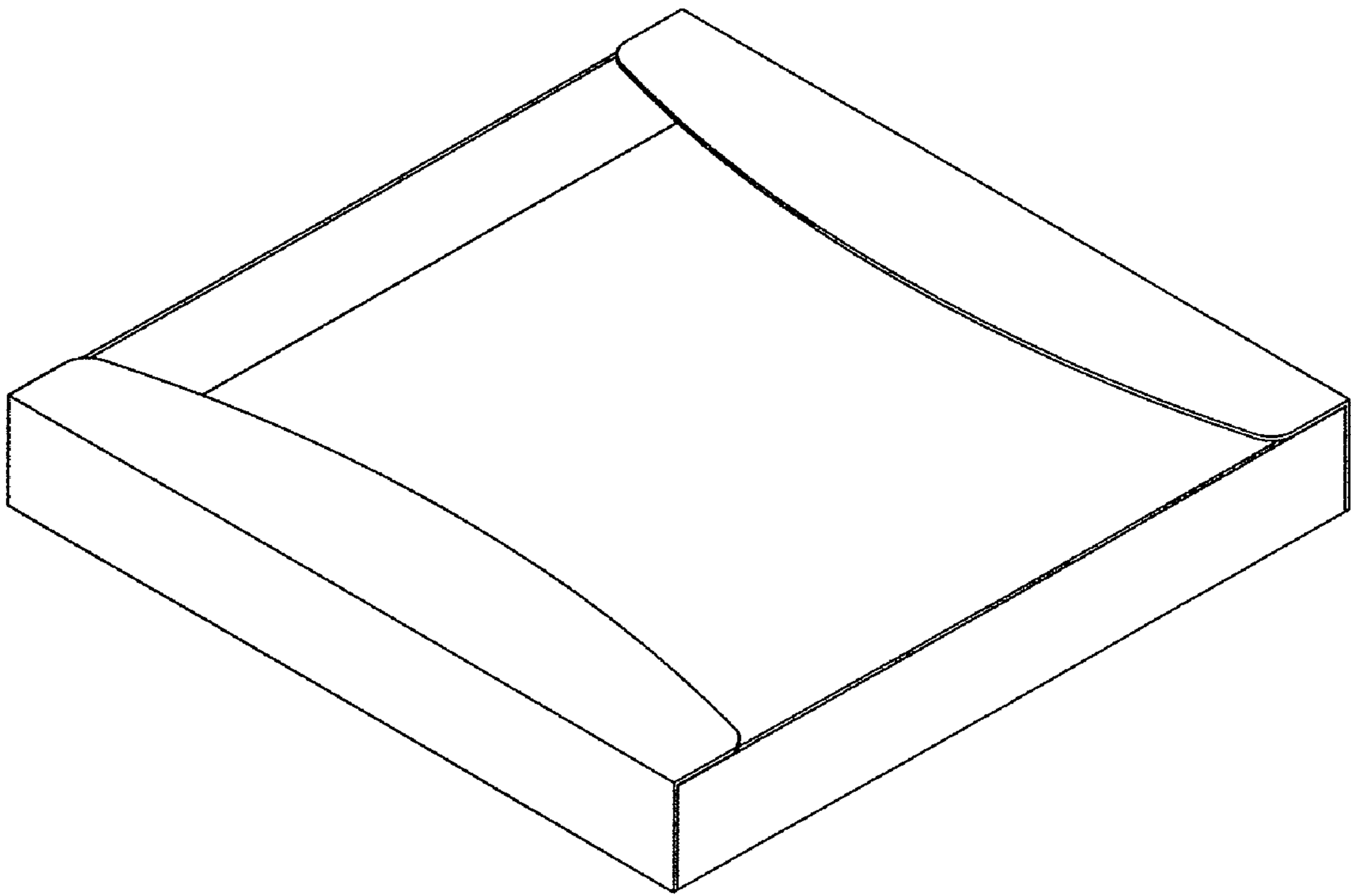


Figure 16

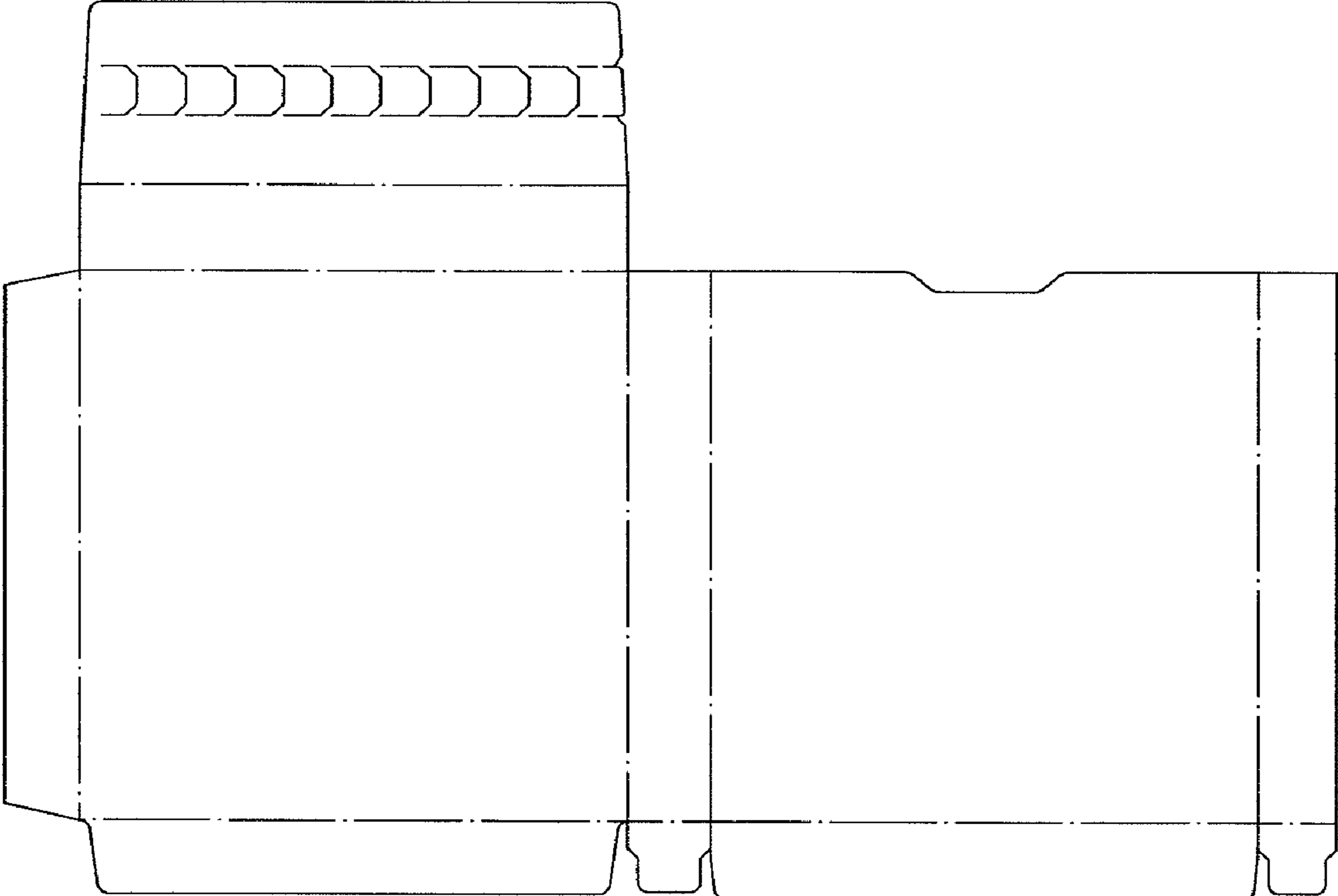


Figure 17

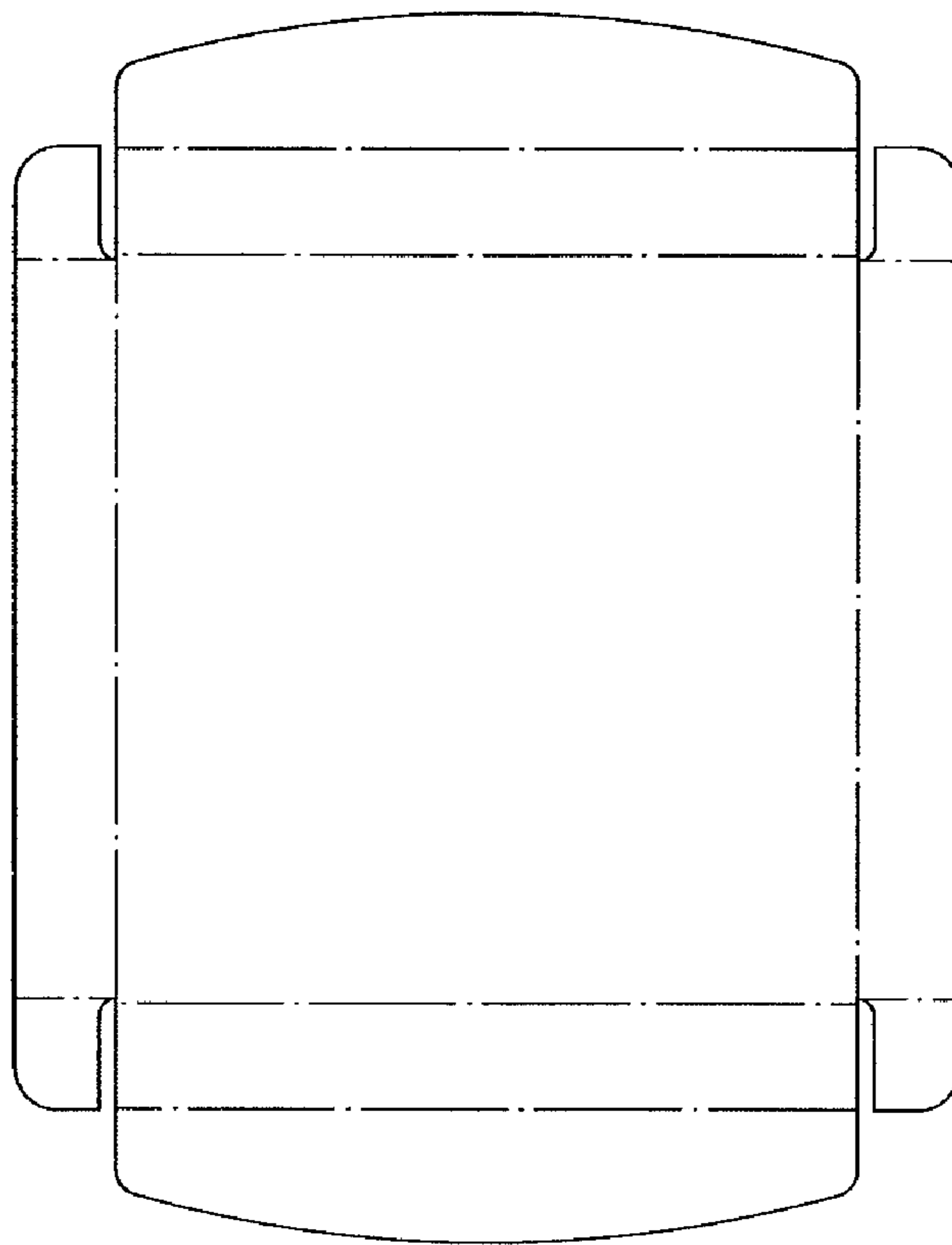


Figure 18

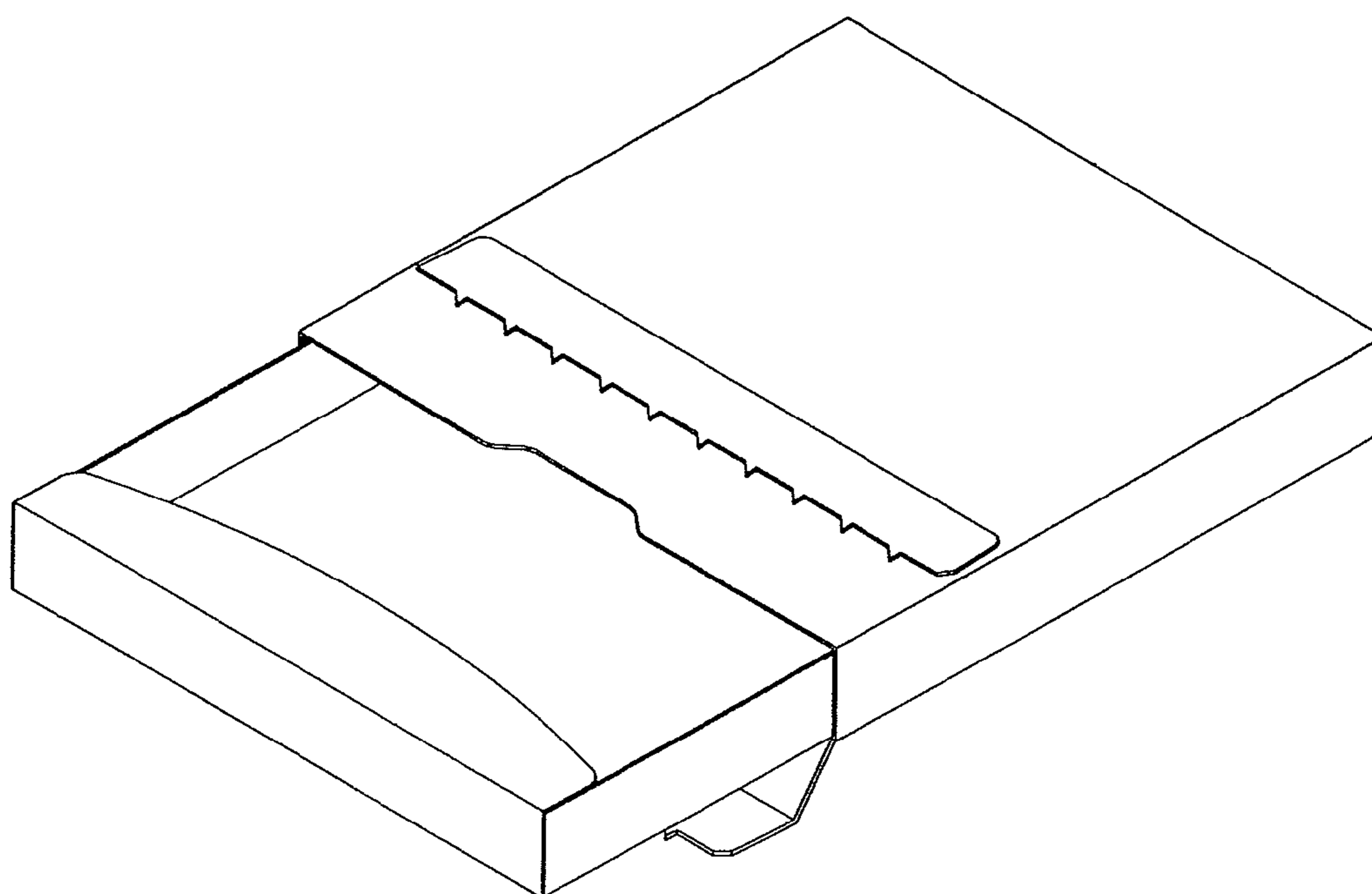


FIGURE 19