

US00D603256S

(12) **United States Design Patent**
King

(10) **Patent No.:** **US D603,256 S**

(45) **Date of Patent:** **** *Nov. 3, 2009**

(54) **PACKAGING TRAY WITH OUTSIDE FOLDS**

(75) Inventor: **Stephen King**, West Sussex (GB)

(73) Assignee: **Alexir Packaging, Ltd.**, Crawley, West Sussex (GB)

(*) Notice: This patent is subject to a terminal disclaimer.

(**) Term: **14 Years**

(21) Appl. No.: **29/290,424**

(22) Filed: **Dec. 4, 2007**

(30) **Foreign Application Priority Data**

Jun. 4, 2007 (EM) 000733969-0001

(51) **LOC (9) Cl.** **09-03**

(52) **U.S. Cl.** **D9/433**

(58) **Field of Classification Search** D9/430-433, D9/414, 418, 420-423, 435, 560, 561; D3/201, D3/272, 273, 305; 206/278, 297, 299, 320, 206/339, 433, 769, 770, 775, 776, 781, 782, 206/822; 229/100, 103.3, 104-106, 107, 229/108, 108.1, 110, 111, 112, 115, 117.16, 229/120, 125.015, 120.32, 133.24, 122.29, 229/124, 160.1, 162.1, 162.6, 163, 182.1, 229/201, 406, 407, 902, 204, 906, 922, 930, 229/939, 942; D7/602, 629

See application file for complete search history.

(56) **References Cited**

U.S. PATENT DOCUMENTS

- 2,071,949 A * 2/1937 Reich 229/171
- 3,550,835 A * 12/1970 Persson 229/123.2
- 3,606,078 A * 9/1971 Phillips, Jr. 220/62
- 3,812,641 A * 5/1974 Bemiss 53/411
- 3,851,808 A * 12/1974 Schilling 294/172

- 3,917,155 A * 11/1975 Bemiss 229/169
- 3,927,505 A * 12/1975 Bemiss 53/456
- 4,019,675 A * 4/1977 Andersson et al. 229/125.17
- 4,056,221 A * 11/1977 Piltz et al. 229/164.1
- 4,114,797 A * 9/1978 Manizza 229/169
- 4,183,435 A * 1/1980 Thompson et al. 206/557
- 4,252,268 A * 2/1981 Haire 229/120
- 4,295,839 A * 10/1981 Baker et al. 493/143
- 4,304,352 A * 12/1981 Humphries 229/163

(Continued)

FOREIGN PATENT DOCUMENTS

JP 2001-240042 A * 9/2001

OTHER PUBLICATIONS

Alexir Ltd. Alexi Pack; Sustainable Packaging Solutions For The Food Industry; 2007; 4 pages.

Primary Examiner—T. Chase Nelson

Assistant Examiner—Karen Acker

(74) *Attorney, Agent, or Firm*—Nixon & Vanderhye, PC

(57) **CLAIM**

The ornamental design for a packaging tray with outside folds, as shown and described.

DESCRIPTION

FIG. 1 is a perspective view of a packaging tray with outside folds showing my new design;

FIG. 2 is a top plan view thereof;

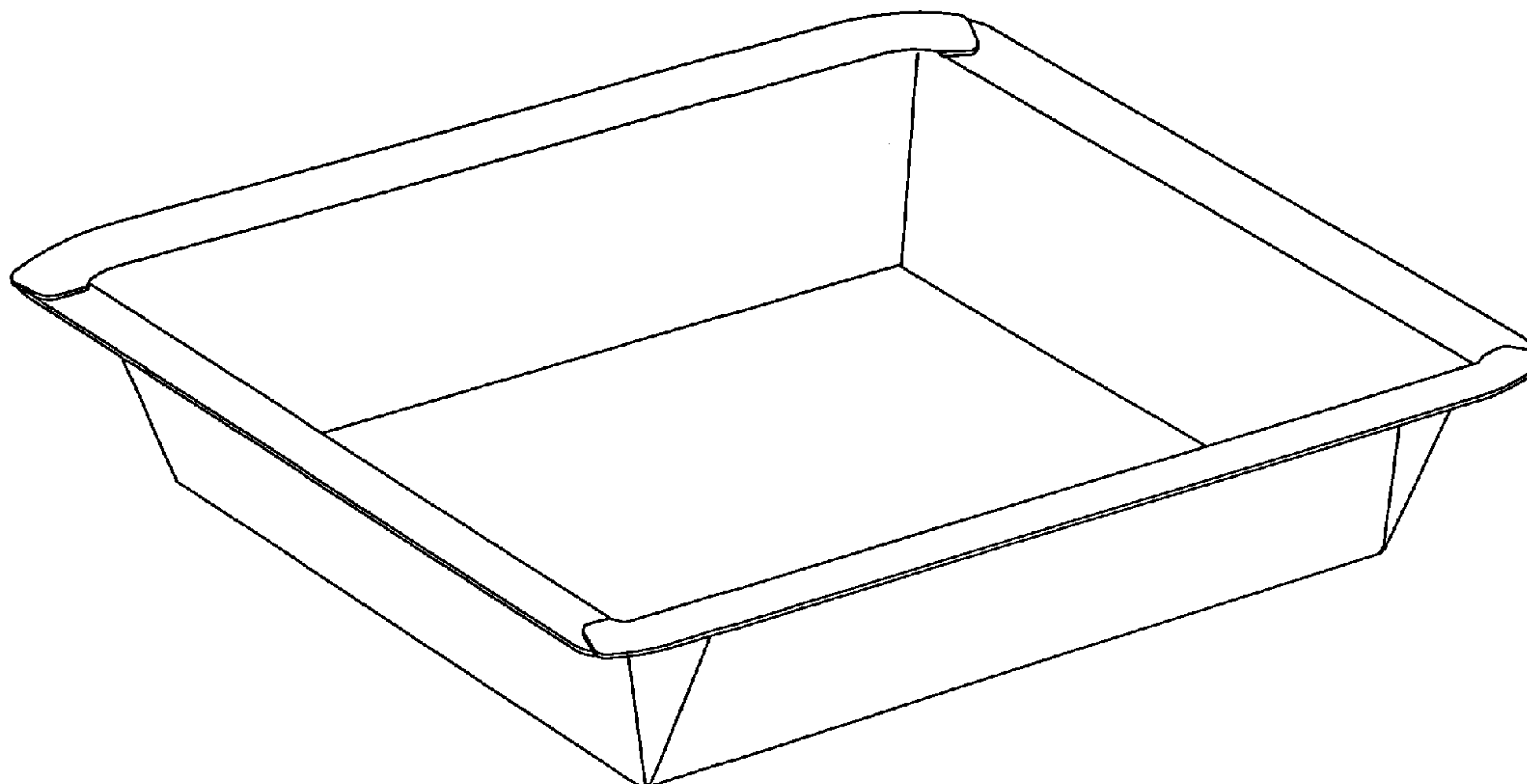
FIG. 3 is a front elevational view thereof, the rear elevational view being a mirror image thereof;

FIG. 4 is a right side view thereof, the left side view being a mirror image thereof;

FIG. 5 is a bottom plan view thereof; and,

FIG. 6 is a plan view of the packaging tray with outside folds of FIG. 1 in an unassembled condition.

1 Claim, 4 Drawing Sheets



US D603,256 S

Page 2

U.S. PATENT DOCUMENTS

4,308,985	A *	1/1982	Manizza et al.	229/5.81	D312,213	S *	11/1990	Forbes, Jr.	D9/433
4,312,451	A *	1/1982	Forbes, Jr.	229/208	4,998,669	A *	3/1991	Karolyi	229/170
4,417,882	A *	11/1983	Wallin	493/174	D316,037	S *	4/1991	Kea	D9/425
4,533,079	A *	8/1985	Persson	229/170	5,009,939	A *	4/1991	Goldberg	428/34.2
4,626,234	A *	12/1986	Oxborrow	493/167	5,244,145	A *	9/1993	Forbes, Jr.	229/125.35
4,636,187	A *	1/1987	Oakley	493/134	5,326,022	A *	7/1994	Green	229/120
4,721,040	A *	1/1988	Mau	100/211	5,418,008	A *	5/1995	Calvert	427/203
4,871,071	A *	10/1989	Zimmermann	229/120	5,425,972	A *	6/1995	Calvert	428/34.2
4,944,451	A *	7/1990	Forbes, Jr.	229/120.17	5,433,374	A *	7/1995	Forbes, Jr.	229/125.35
D311,336	S *	10/1990	Haraldsson	D9/433	5,839,652	A *	11/1998	Ben-Haim	229/240
D311,337	S *	10/1990	Rigby	D9/433	RE36,158	E *	3/1999	Forbes, Jr.	229/125.35
					6,505,769	B2 *	1/2003	Stone	229/186

* cited by examiner

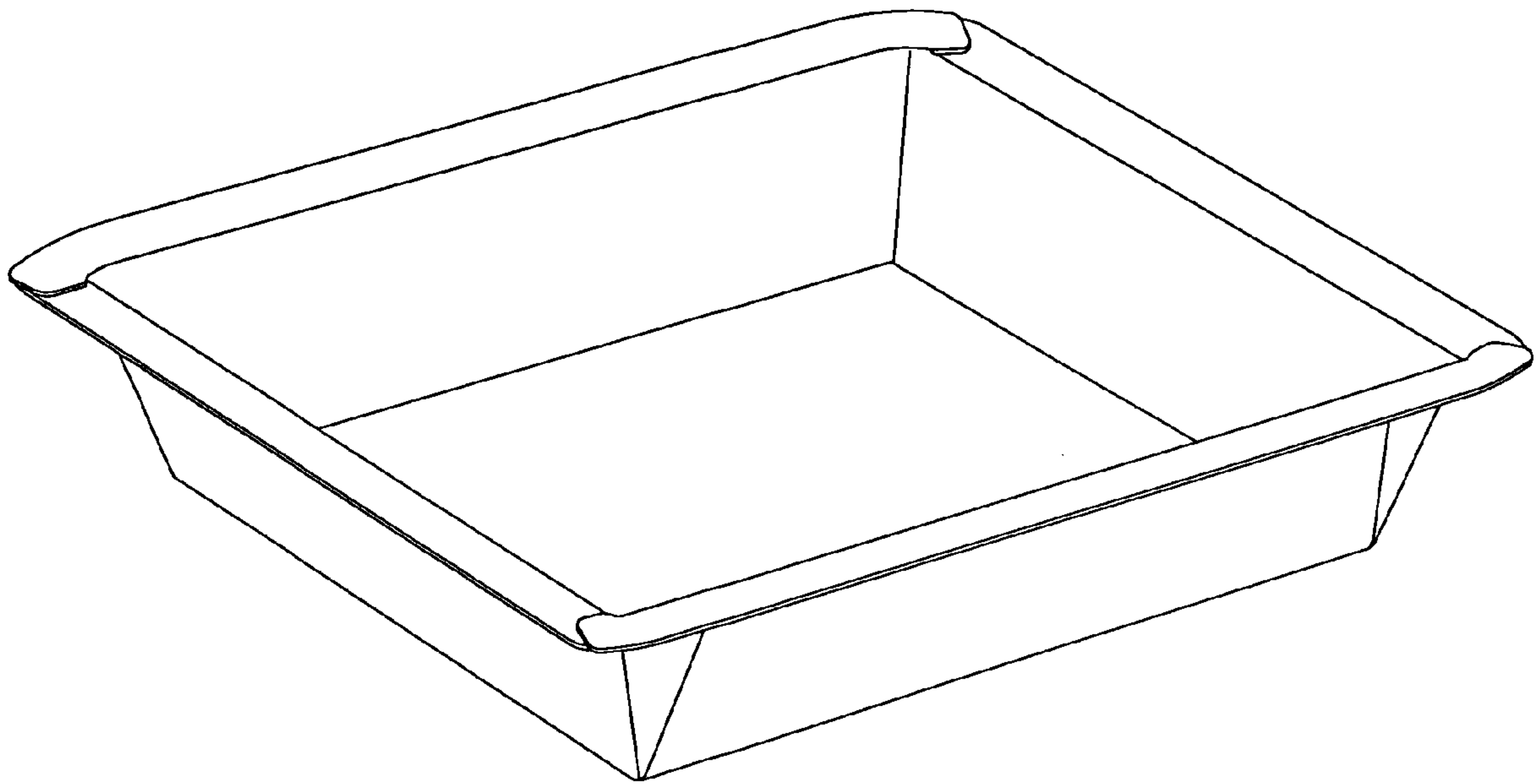


FIGURE 1

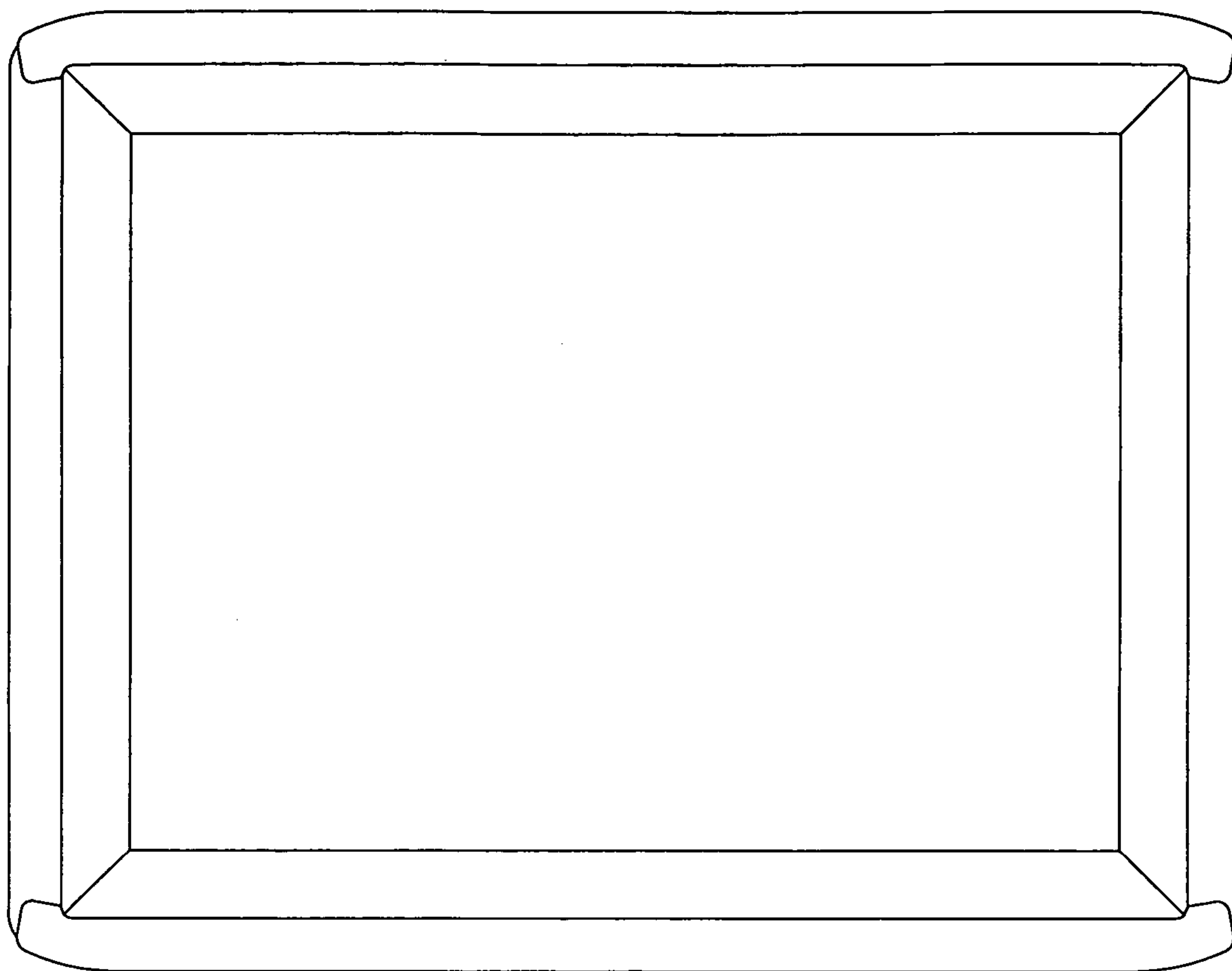


FIGURE 2

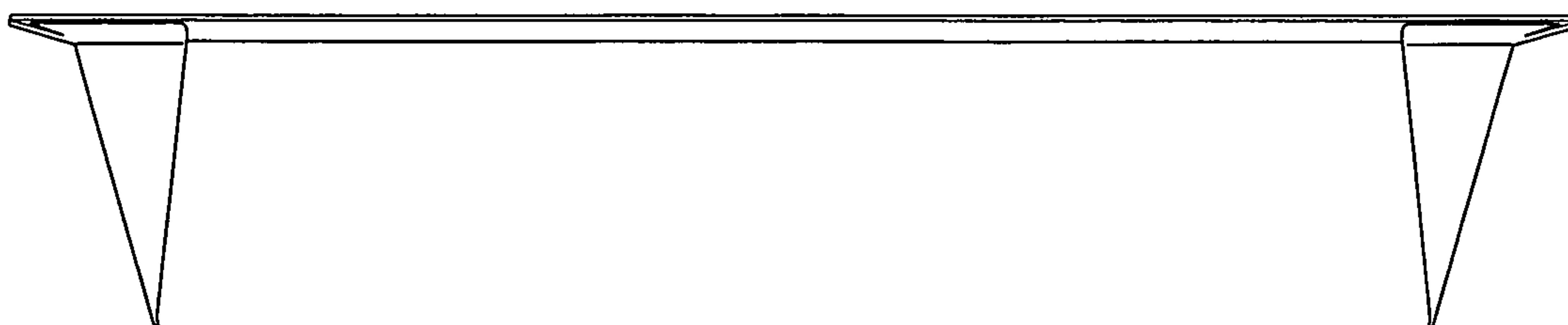


FIGURE 3

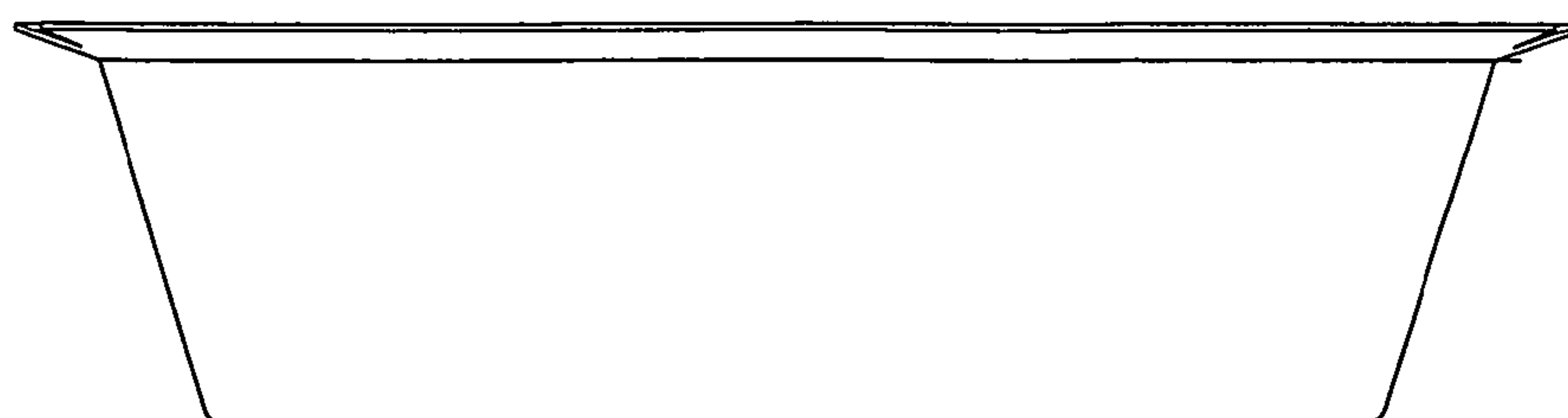


FIGURE 4

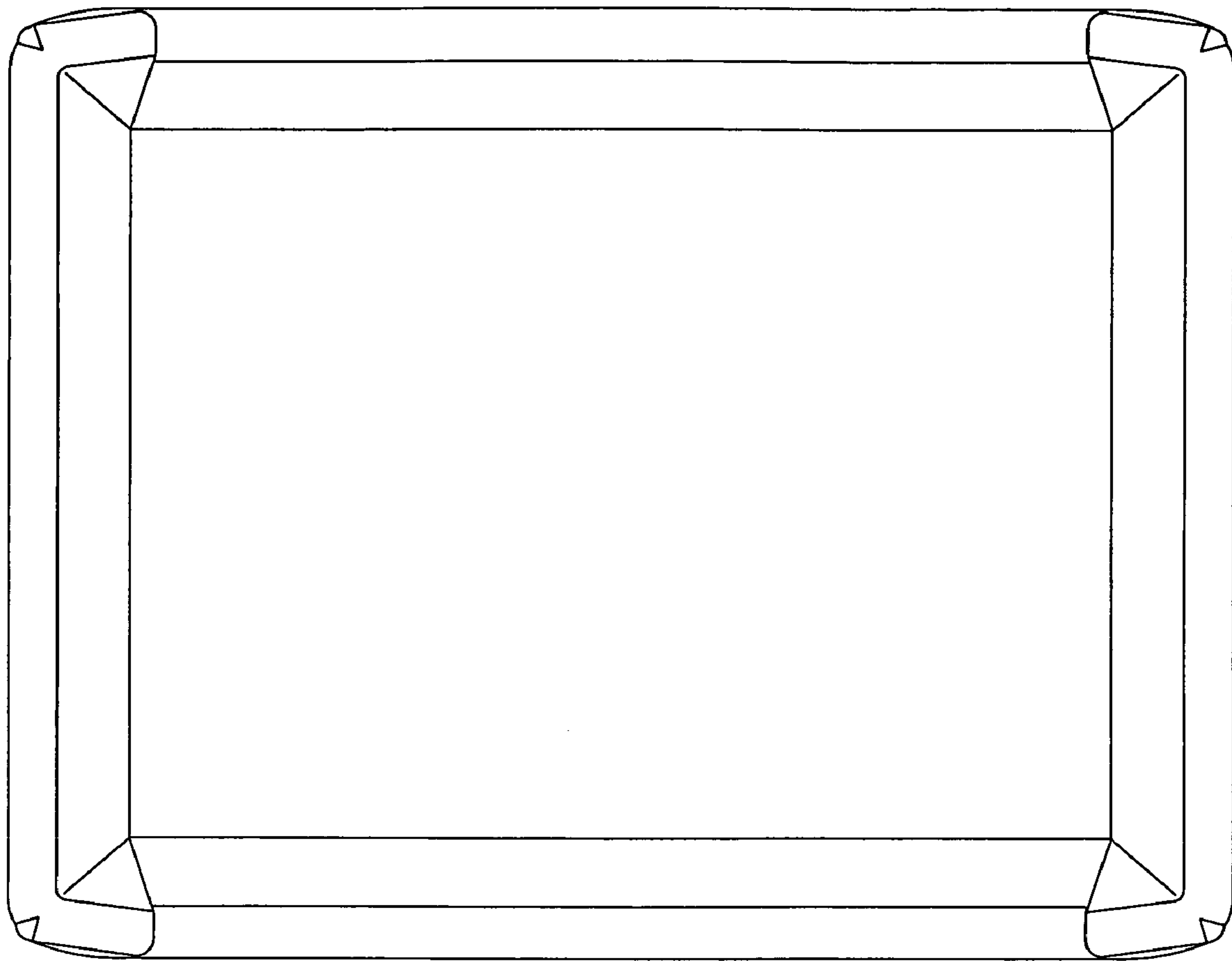


FIGURE 5

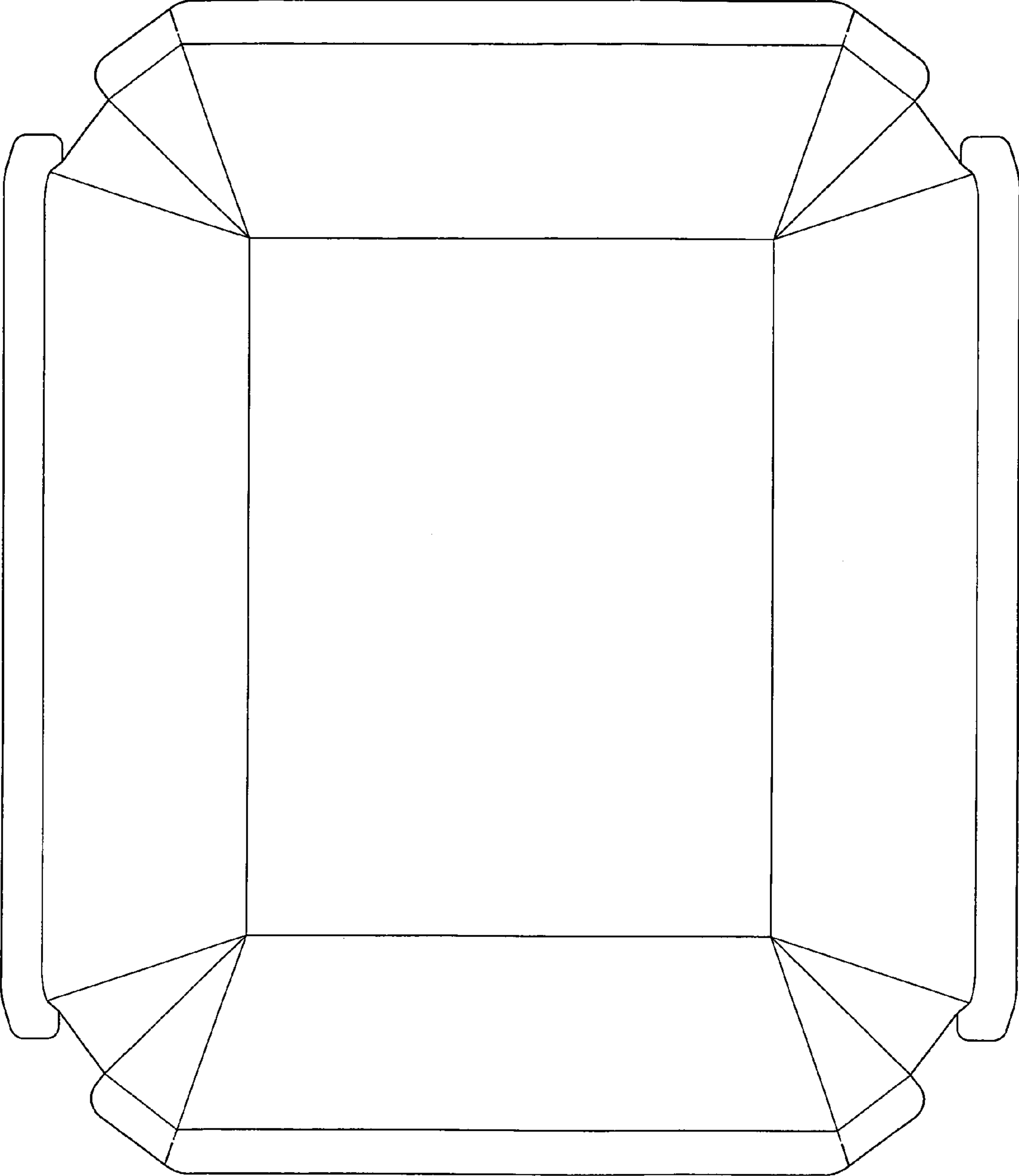


FIGURE 6