



US00D603255S

(12) **United States Design Patent**
King

(10) **Patent No.:** **US D603,255 S**

(45) **Date of Patent:** **** *Nov. 3, 2009**

(54) **PACKAGING TRAY WITH INSIDE FOLDS**

(75) Inventor: **Stephen King**, West Sussex (GB)

(73) Assignee: **Alexir Packaging, Ltd.**, Crawley, West Sussex (GB)

(*) Notice: This patent is subject to a terminal disclaimer.

(**) Term: **14 Years**

(21) Appl. No.: **29/290,423**

(22) Filed: **Dec. 4, 2007**

(30) **Foreign Application Priority Data**

Jun. 4, 2007 (EM) 000733969-0001

(51) **LOC (9) Cl.** **09-03**

(52) **U.S. Cl.** **D9/433**

(58) **Field of Classification Search** D9/430-433,
D9/414, 418, 420-423, 435, 560, 561; D3/201,
D3/272, 273, 305; 206/278, 297, 299, 320,
206/339, 433, 769, 770, 775, 776, 781, 782,
206/822; 229/100, 103.3, 104-106, 107,
229/108, 108.1, 110, 111, 112, 115, 117.16,
229/120, 125.015, 120.32, 133.24, 122.29,
229/124, 160.1, 162.1, 162.6, 163, 182.1,
229/201, 406, 407, 902, 904, 906, 922, 930,
229/939, 942; D7/602, 629

See application file for complete search history.

(56) **References Cited**

U.S. PATENT DOCUMENTS

2,071,949 A * 2/1937 Reich 229/171
3,550,835 A * 12/1970 Persson 229/123.2
3,606,078 A * 9/1971 Phillips, Jr. 220/62
3,812,641 A * 5/1974 Bemiss 53/411
3,851,808 A * 12/1974 Schilling 294/172
3,917,155 A * 11/1975 Bemiss 229/169
3,927,505 A * 12/1975 Bemiss 53/456
4,019,675 A * 4/1977 Andersson et al. 229/125.17
4,056,221 A * 11/1977 Piltz et al. 229/164.1

4,114,797 A * 9/1978 Manizza 229/169
4,183,435 A * 1/1980 Thompson et al. 206/557
4,252,268 A * 2/1981 Haire 229/120
4,295,839 A * 10/1981 Baker et al. 493/143
4,304,352 A * 12/1981 Humphries 229/163
4,308,985 A * 1/1982 Manizza et al. 229/5.81
4,312,451 A * 1/1982 Forbes, Jr. 229/208
4,417,882 A * 11/1983 Wallin 493/174
4,533,079 A * 8/1985 Persson 229/170
4,626,234 A * 12/1986 Oxborrow 493/167
4,636,187 A * 1/1987 Oakley 493/134
4,721,040 A * 1/1988 Mau 100/211
4,871,071 A * 10/1989 Zimmermann 229/120
4,944,451 A * 7/1990 Forbes, Jr. 229/120.17
D311,336 S * 10/1990 Haraldsson D9/433

(Continued)

OTHER PUBLICATIONS

ALEXIR Ltd. Alexi Pack; Sustainable Packaging Solutions For The Food Industry; 2007; 4 pages.

Primary Examiner—T. Chase Nelson

Assistant Examiner—Karen Acker

(74) *Attorney, Agent, or Firm*—Nixon & Vanderhye, PC

(57) **CLAIM**

The ornamental design for a packaging tray with inside folds, as shown and described.

DESCRIPTION

FIG. 1 is a perspective view of a packaging tray with inside folds showing my new design;

FIG. 2 is a top plan view thereof;

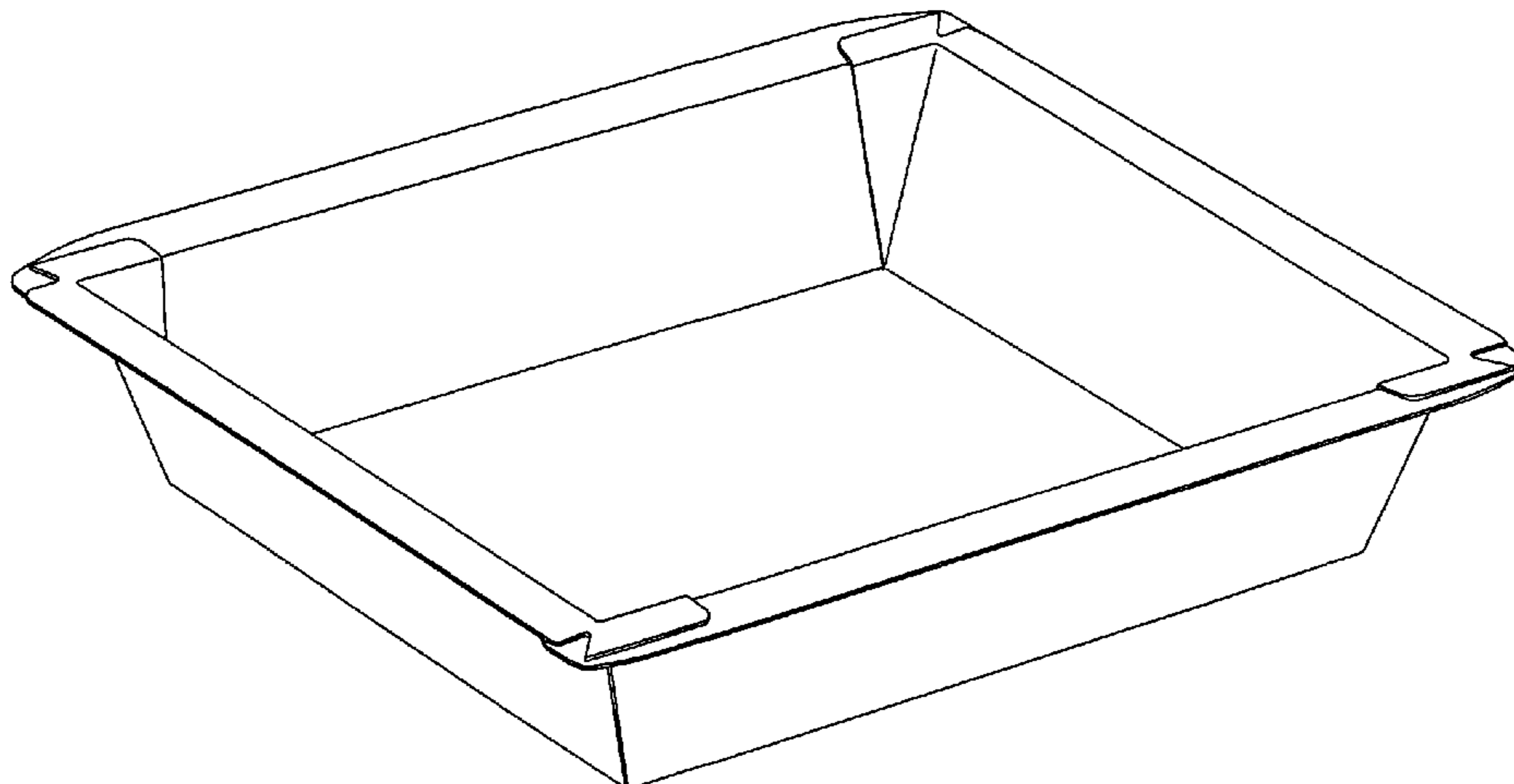
FIG. 3 is a front elevational view thereof, the rear elevational view being a mirror image thereof;

FIG. 4 is a right side view thereof the left side view being a mirror image thereof;

FIG. 5 is a bottom plan view thereof; and,

FIG. 6 is a plan view of the packaging tray with inside folds of FIG. 1 in an unassembled condition.

1 Claim, 4 Drawing Sheets



US D603,255 S

Page 2

U.S. PATENT DOCUMENTS

D311,337 S *	10/1990	Rigby	D9/433	5,326,022 A *	7/1994	Green	229/120
D312,213 S *	11/1990	Forbes, Jr.	D9/433	5,418,008 A *	5/1995	Calvert	427/203
4,998,669 A *	3/1991	Karolyi	229/170	5,425,972 A *	6/1995	Calvert	428/34.2
D316,037 S *	4/1991	Kea	D9/425	5,433,374 A *	7/1995	Forbes, Jr.	229/125.35
5,009,939 A *	4/1991	Goldberg	428/34.2	5,839,652 A *	11/1998	Ben-Haim	229/240
5,244,145 A *	9/1993	Forbes, Jr.	229/125.35	RE36,158 E *	3/1999	Forbes, Jr.	229/125.35
				6,505,769 B2 *	1/2003	Stone	229/186

* cited by examiner

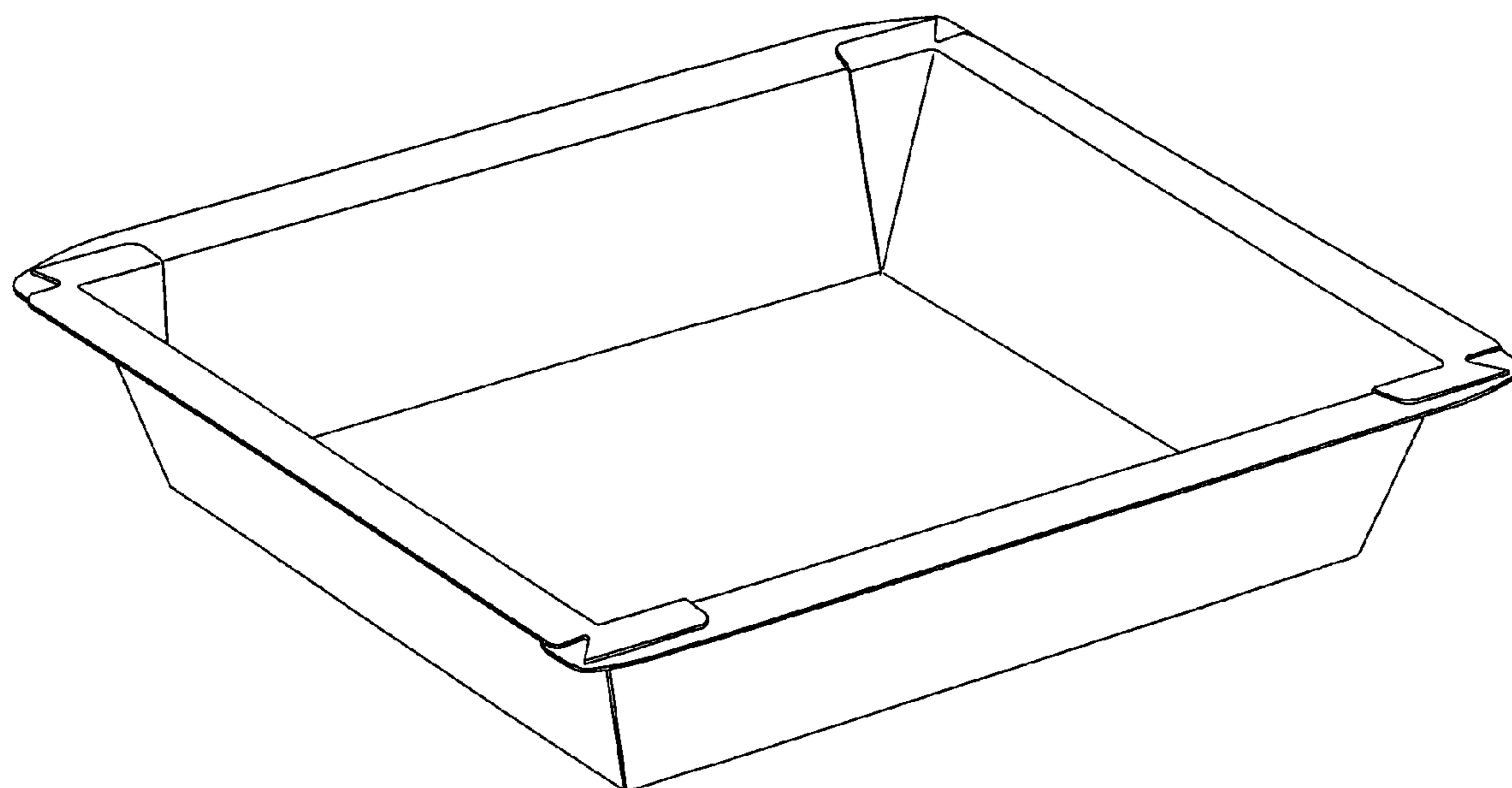


FIGURE 1

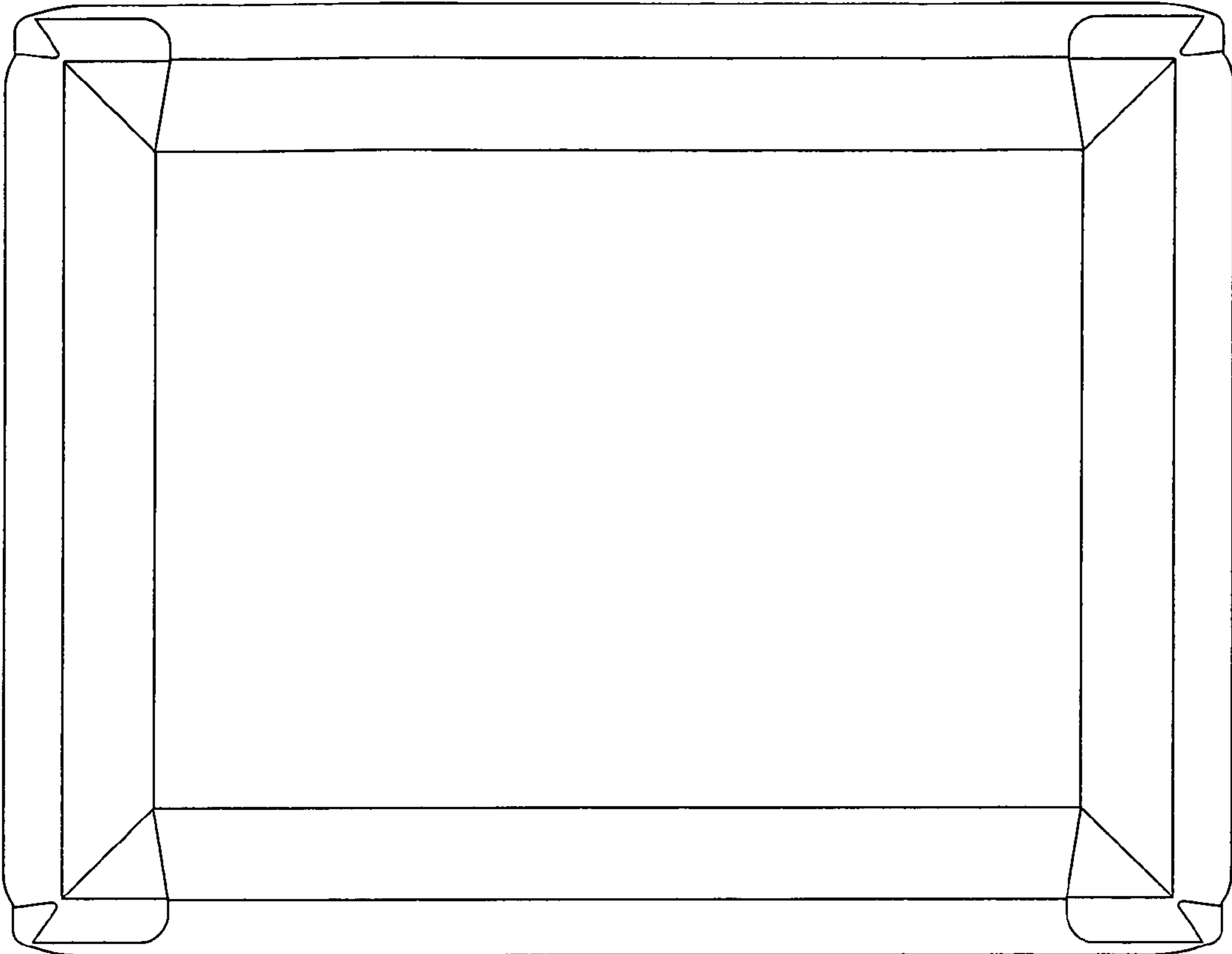


FIGURE 2

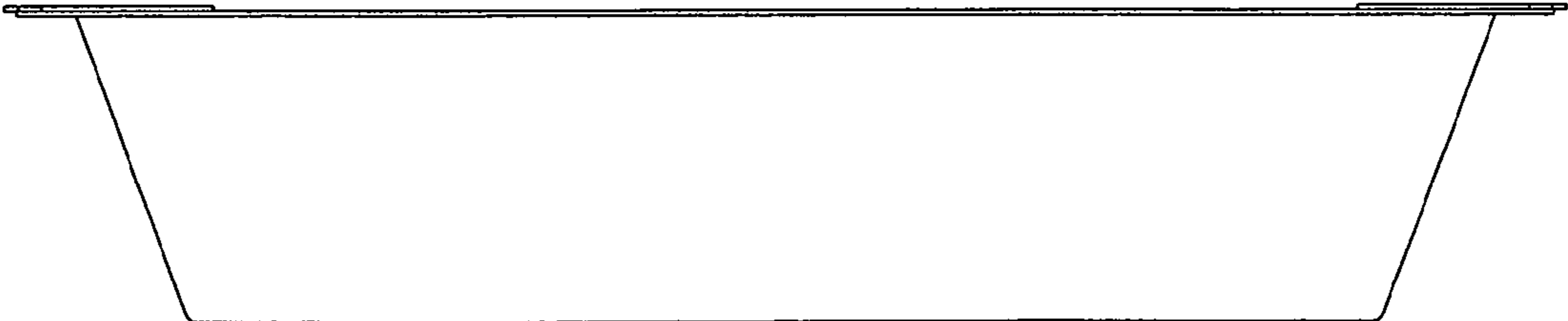


FIGURE 3

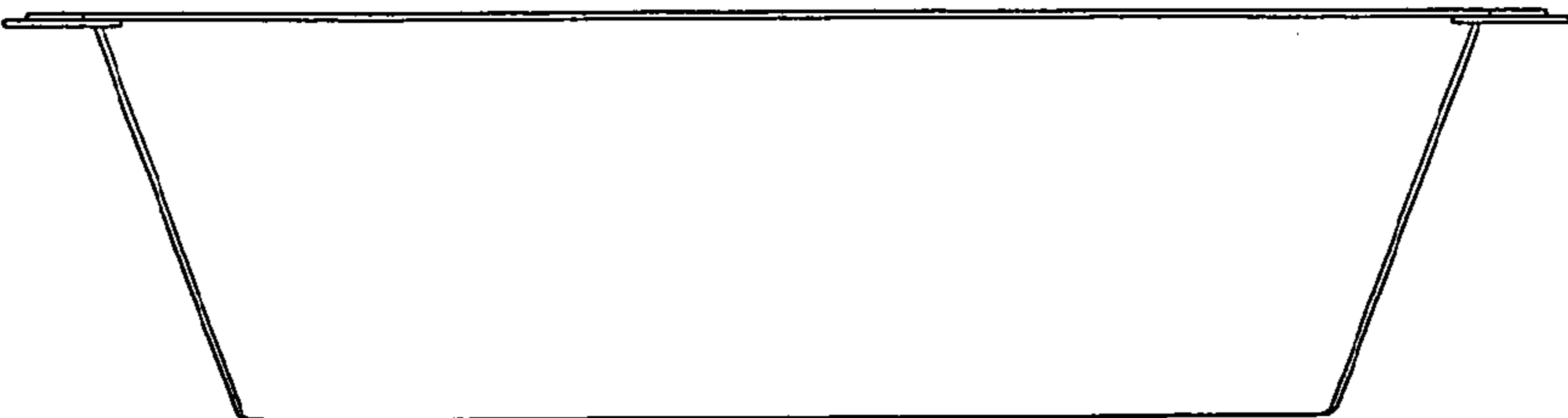


FIGURE 4

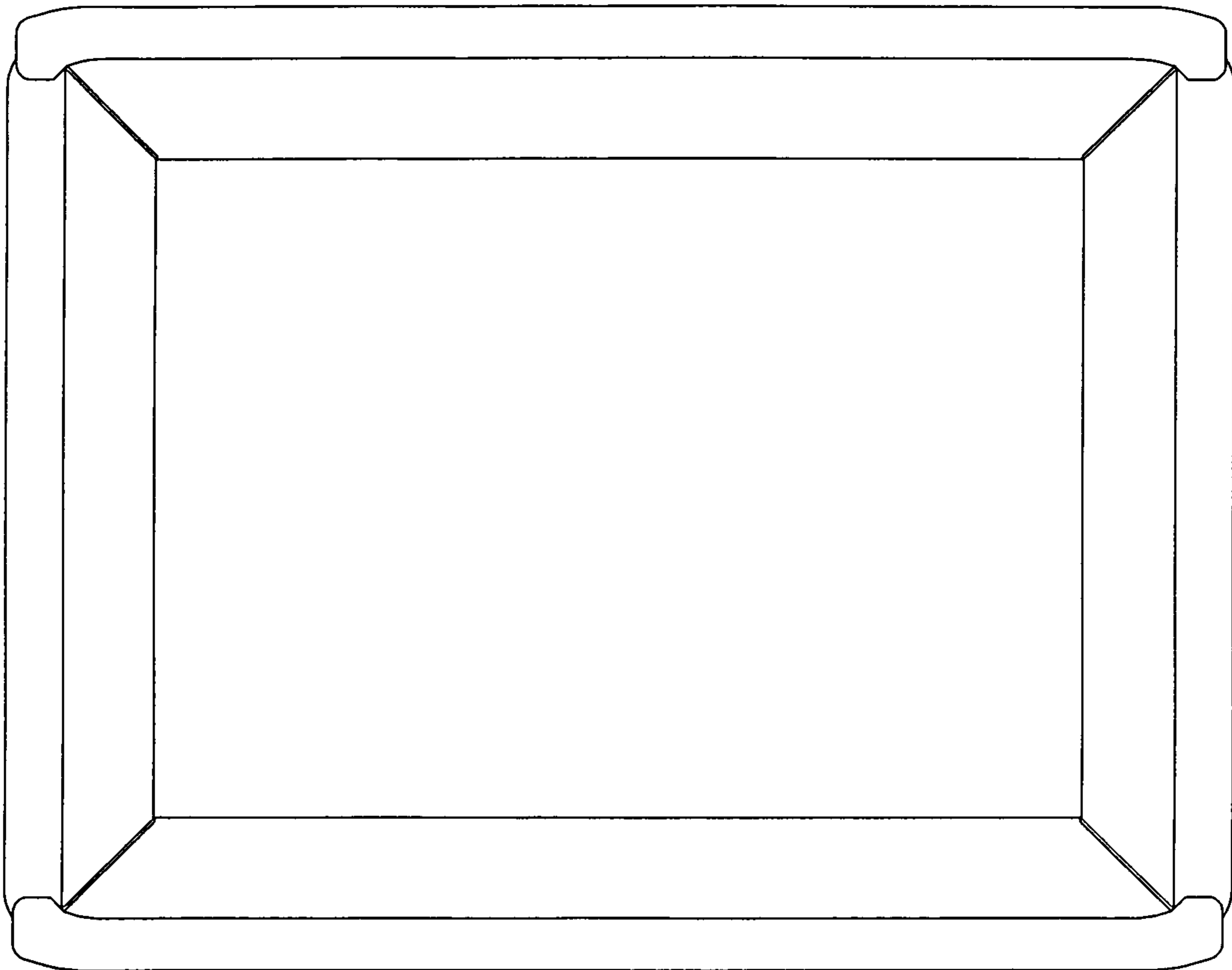


FIGURE 5

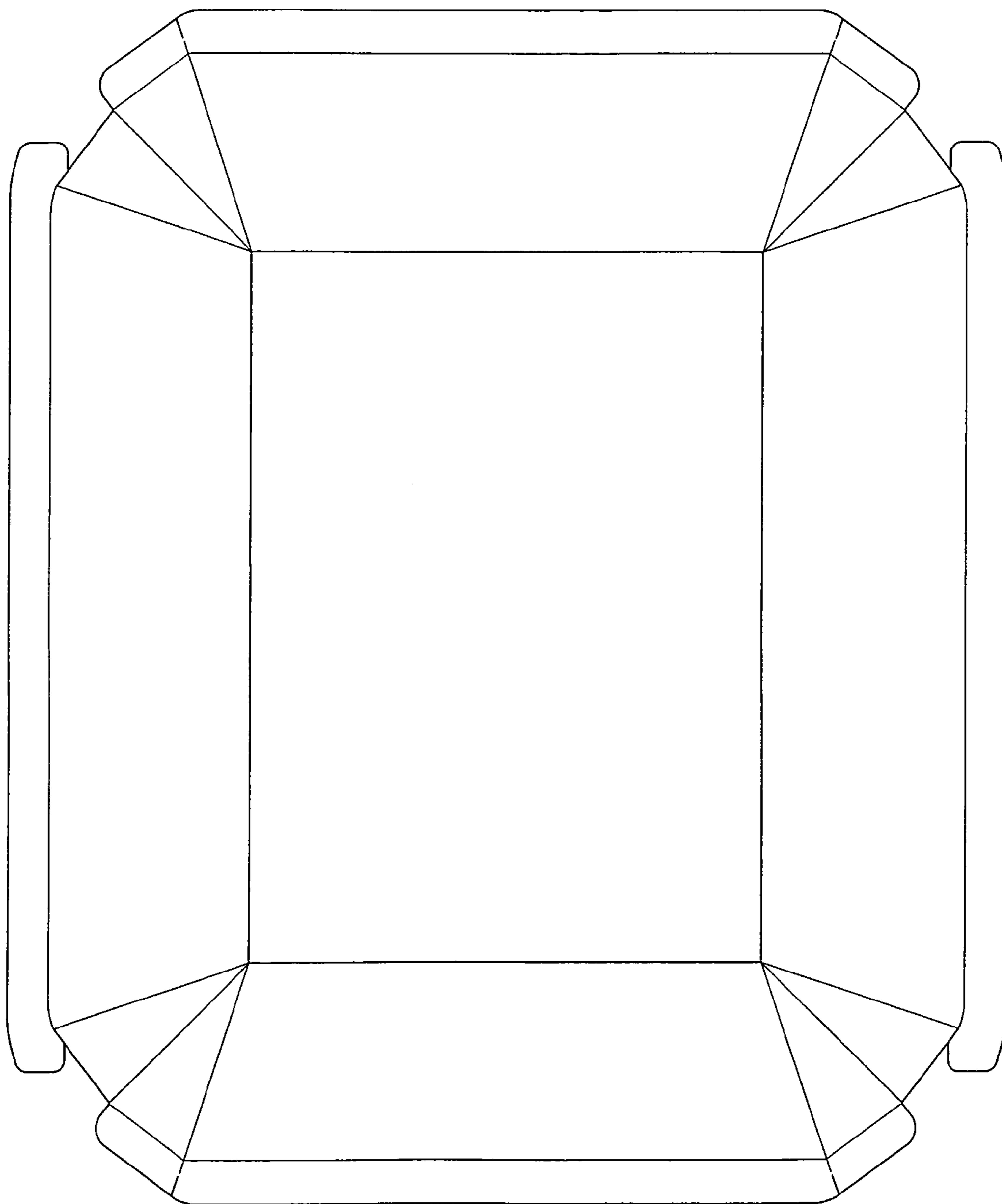


FIGURE 6