



US00D603253S

(12) **United States Design Patent**  
**Cote et al.**

(10) **Patent No.:** **US D603,253 S**  
(45) **Date of Patent:** **\*\* Nov. 3, 2009**

- (54) **PACKAGING FOR SURGICAL BLADE TIPS WITH STAND AND GUIDE**
- (75) Inventors: **Dana Cote**, Boxford, MA (US);  
**Gregory P. Halloran**, Grafton, MA (US)
- (73) Assignee: **Becton, Dickinson and Company**,  
Franklin Lakes, NJ (US)

- (\*\*) Term: **14 Years**
- (21) Appl. No.: **29/334,880**
- (22) Filed: **Apr. 3, 2009**

- (51) **LOC (9) Cl.** ..... **09-03**
- (52) **U.S. Cl.** ..... **D9/424; D9/414**
- (58) **Field of Classification Search** ..... D9/424,  
D9/414, 415, 418, 426, 428, 499, 718; D3/203.1,  
D3/203.7; D24/127, 128, 130, 146, 147;  
206/339, 363, 364, 365, 366, 438, 822; 229/406,  
229/800

See application file for complete search history.

(56) **References Cited**

**U.S. PATENT DOCUMENTS**

- D208,079 S \* 7/1967 Panicci ..... D9/424
- D208,080 S \* 7/1967 Hamilton ..... D9/424
- 3,434,587 A \* 3/1969 Ciampa ..... 206/365
- D231,434 S \* 4/1974 Kato ..... D9/424
- 4,113,090 A \* 9/1978 Carstens ..... 206/365

- D265,549 S \* 7/1982 Houts et al. .... D3/272
- 4,763,788 A \* 8/1988 Jorneus et al. .... 206/438
- D306,141 S \* 2/1990 McFarlane ..... D9/424
- D426,150 S \* 6/2000 Izumi et al. .... D9/415
- D484,243 S \* 12/2003 Ryan et al. .... D24/146
- D484,977 S \* 1/2004 Ryan et al. .... D24/146
- D515,916 S \* 2/2006 Bleuer ..... D9/428
- 2005/0061697 A1\* 3/2005 Moberg ..... 206/364

\* cited by examiner

*Primary Examiner*—Prabhakar Deshmukh

*Assistant Examiner*—Derrick Holland

(74) *Attorney, Agent, or Firm*—Hoffmann & Baron LLP

(57) **CLAIM**

The ornamental design for a packaging for surgical blade tips with stand and guide, as shown and described.

**DESCRIPTION**

FIG. 1 is a top perspective view of a packaging for surgical blade tips with stand and guide;

FIG. 2 is a top plan view thereof;

FIG. 3 is a left elevational view thereof;

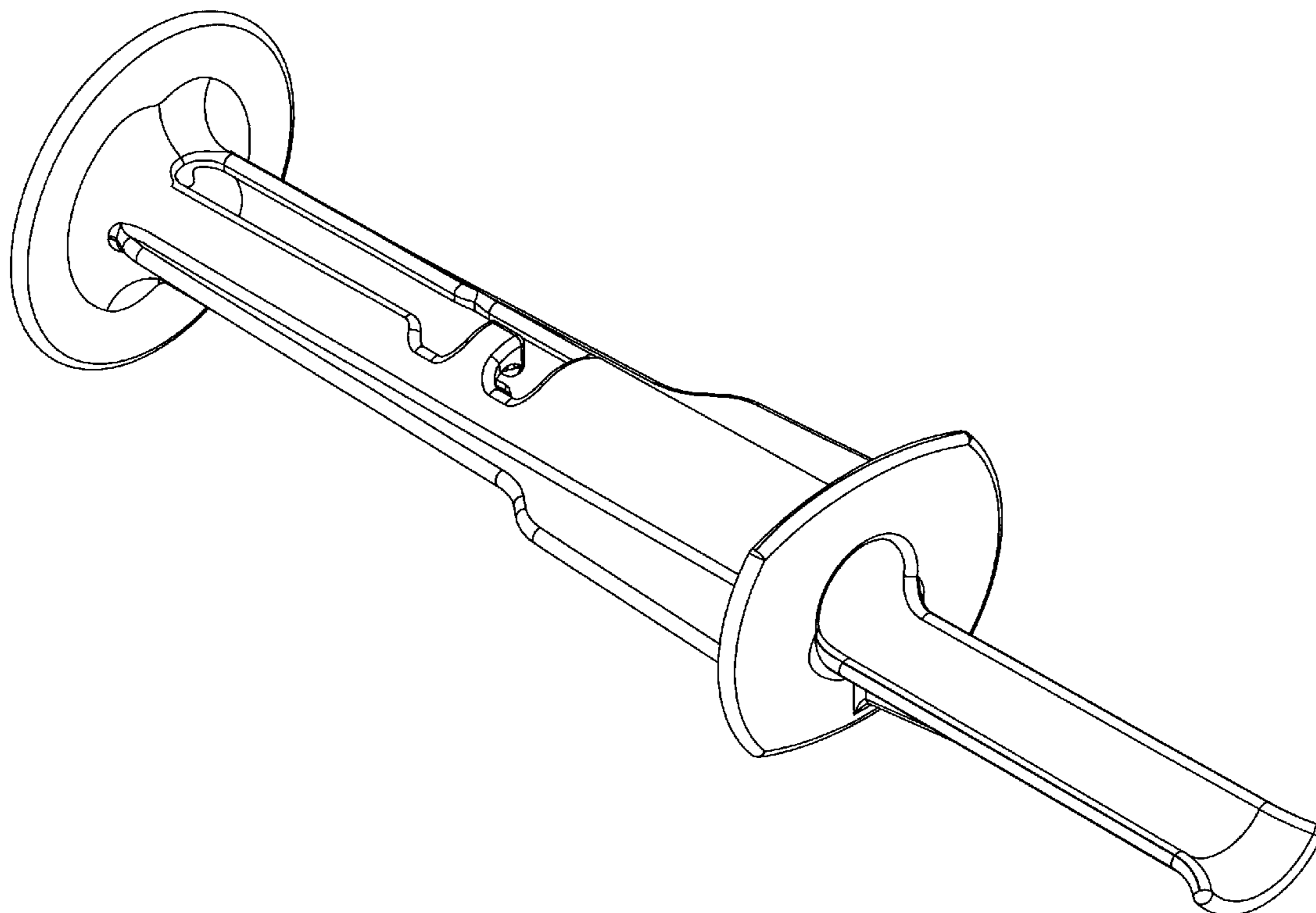
FIG. 4 is a front elevational view thereof;

FIG. 5 is a rear elevational view thereof;

FIG. 6 is a right elevational view thereof; and,

FIG. 7 is a bottom plan view thereof.

**1 Claim, 6 Drawing Sheets**



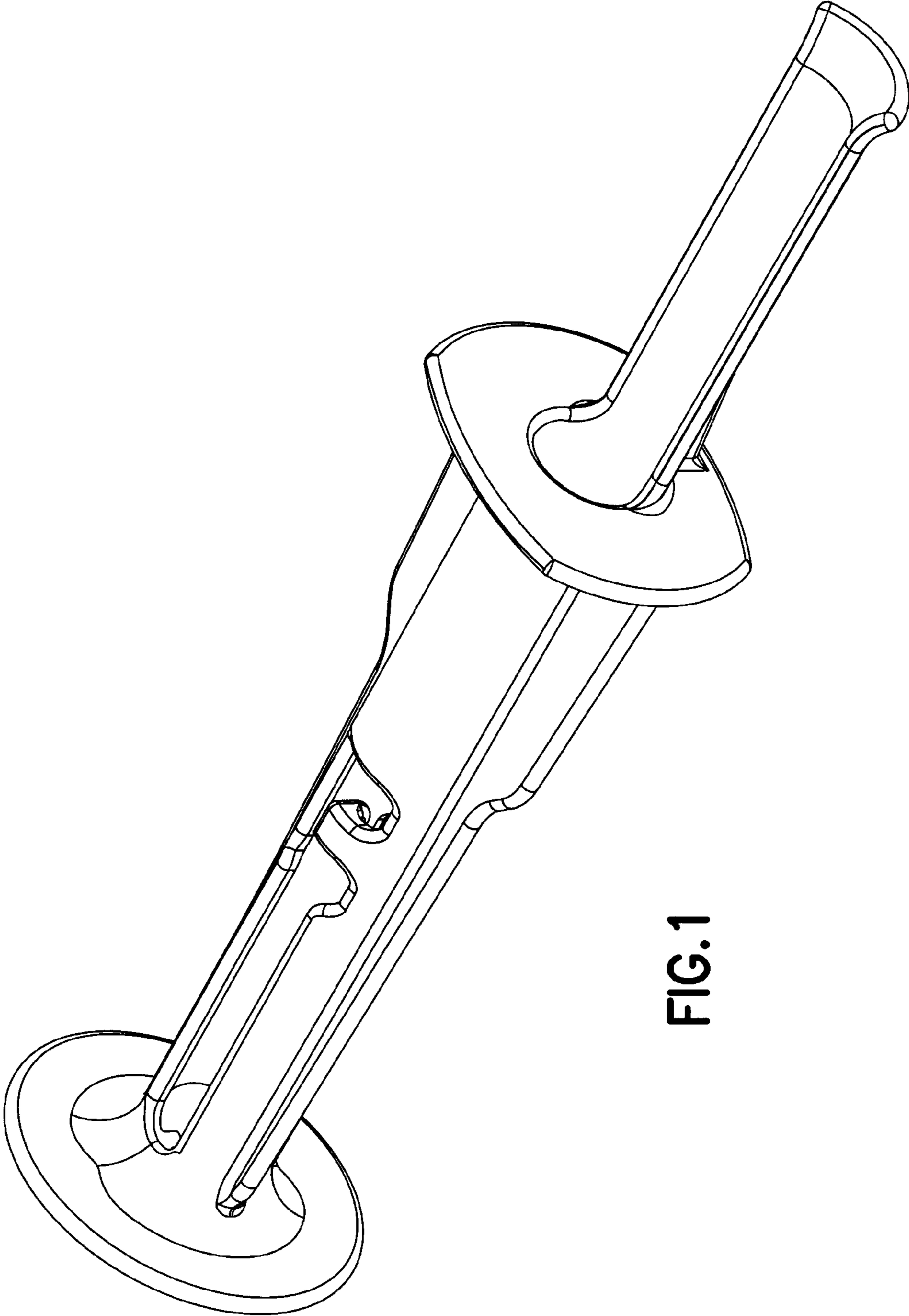


FIG. 1

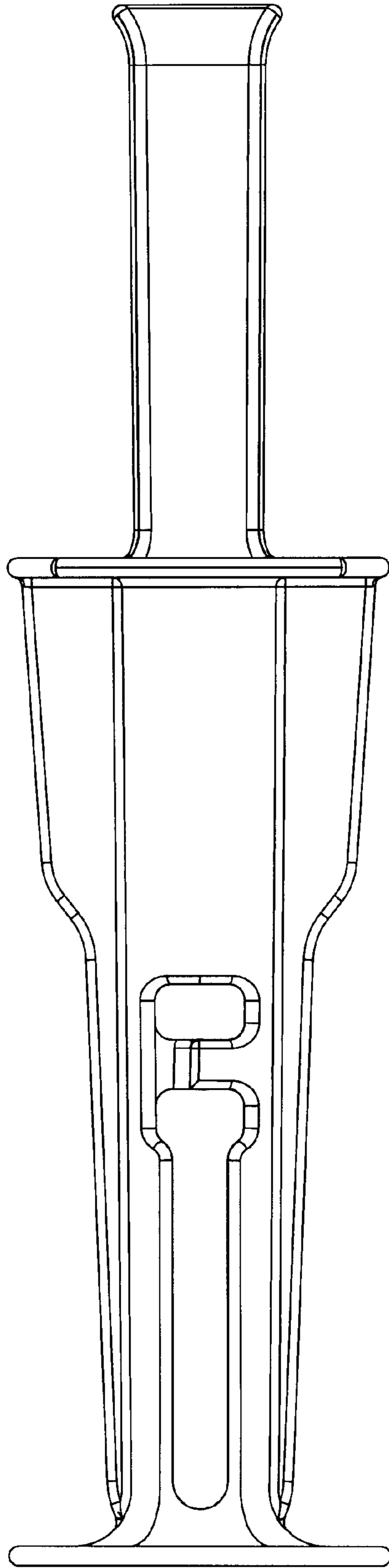


FIG.2

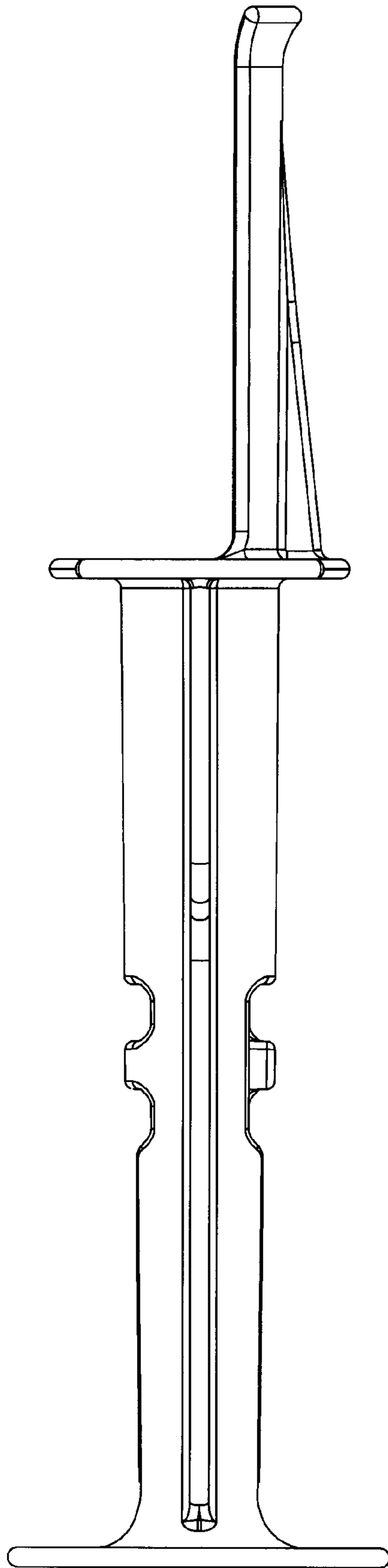


FIG.3

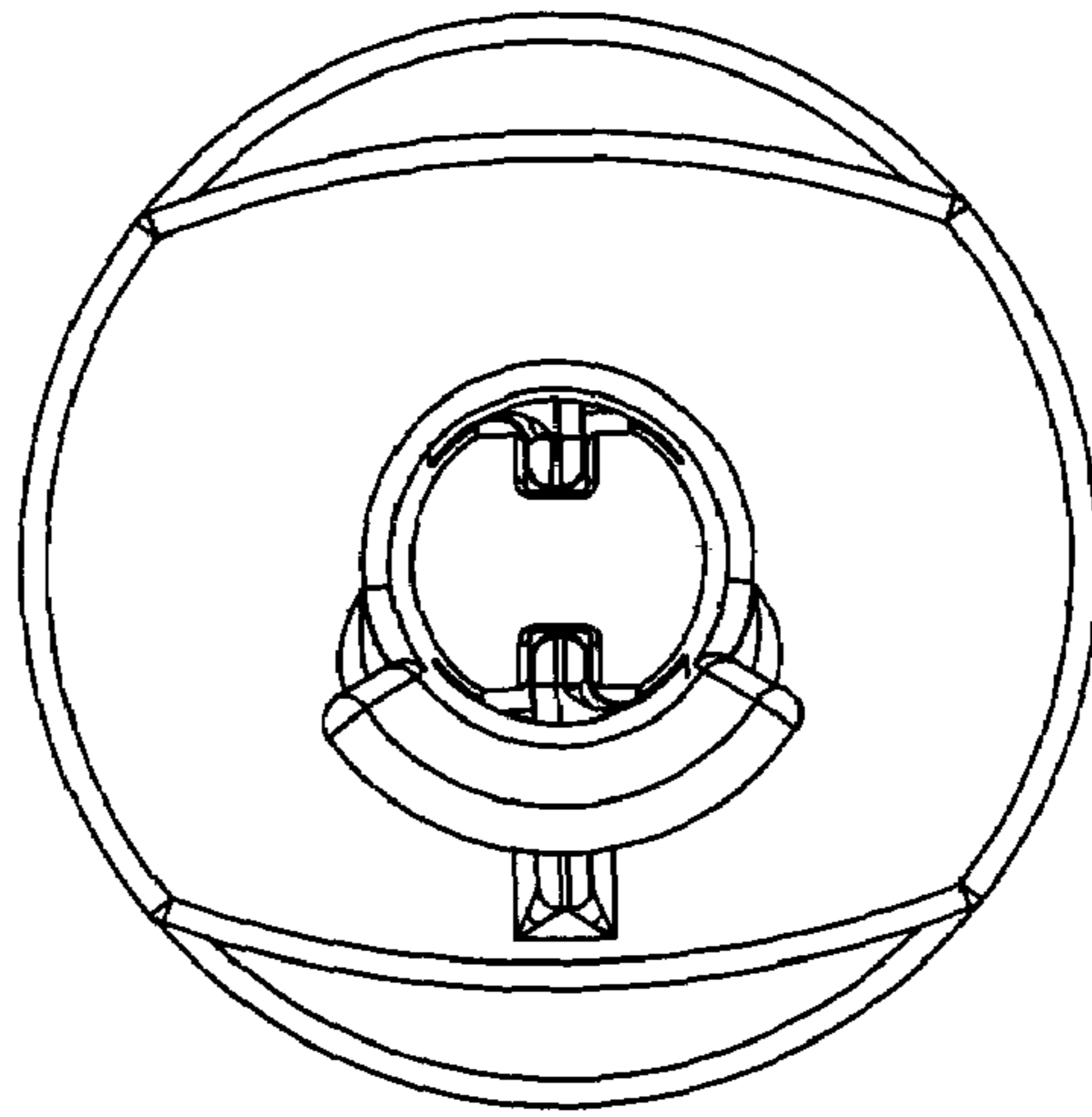


FIG. 4

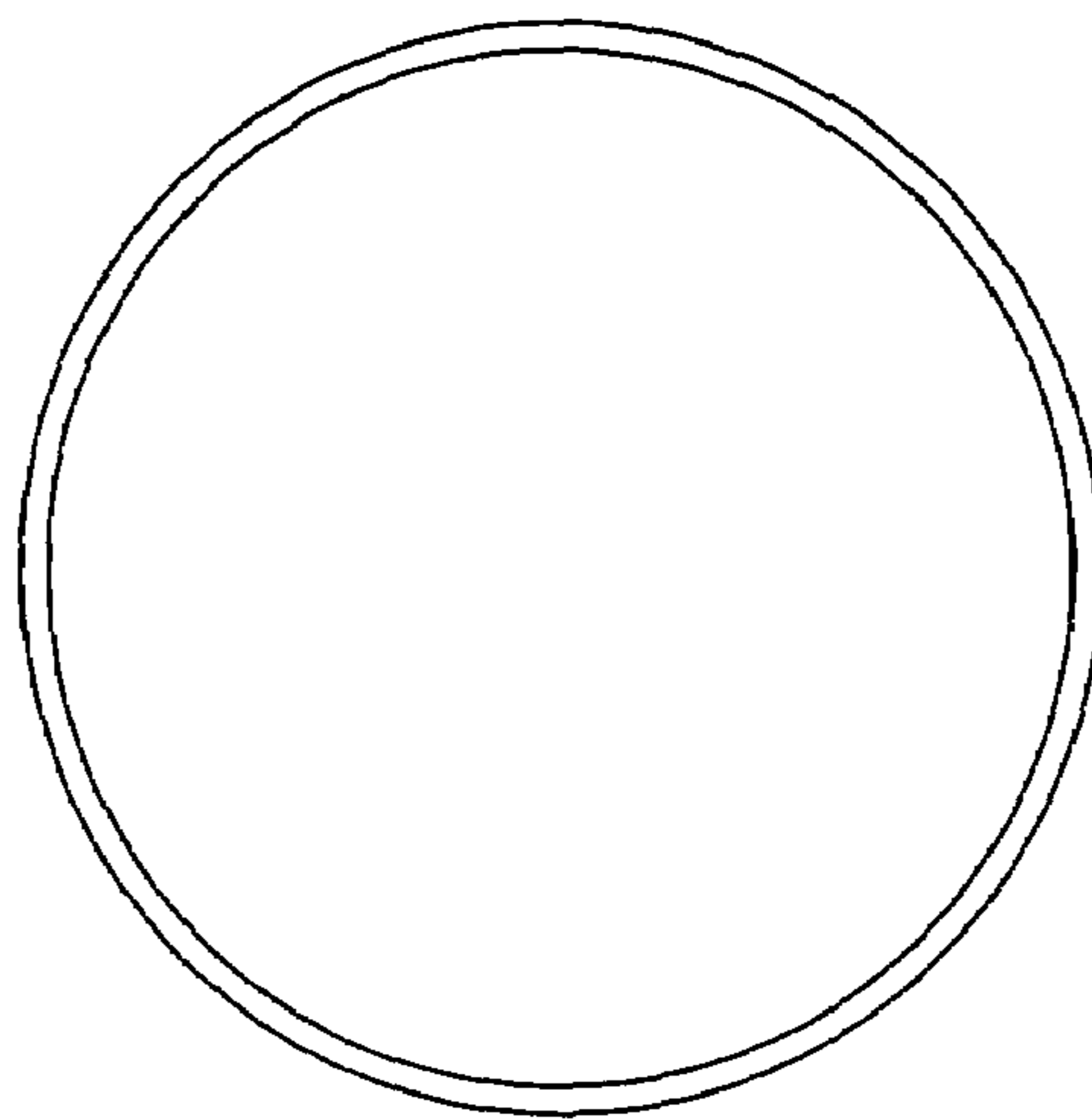


FIG. 5

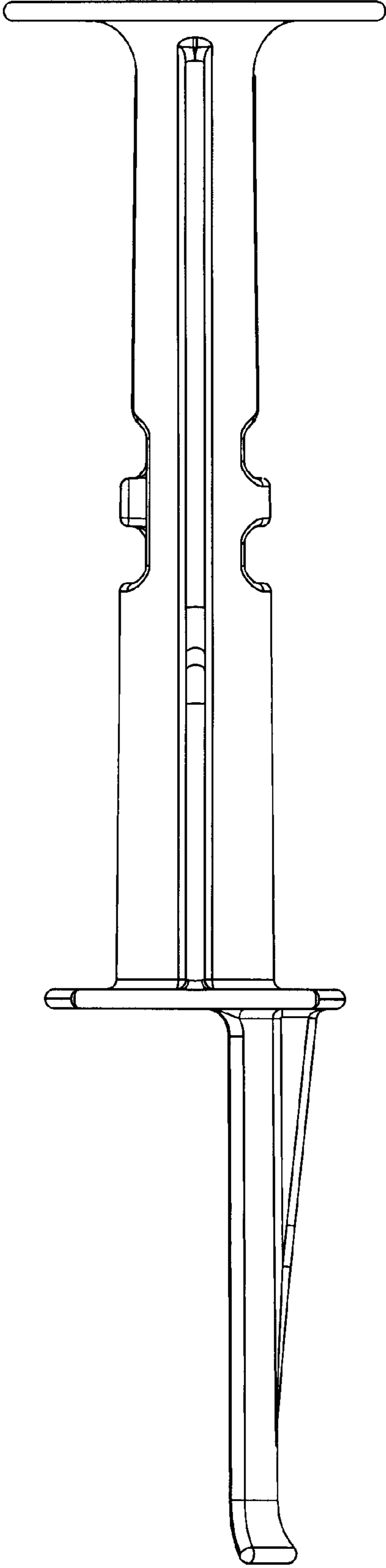


FIG.6

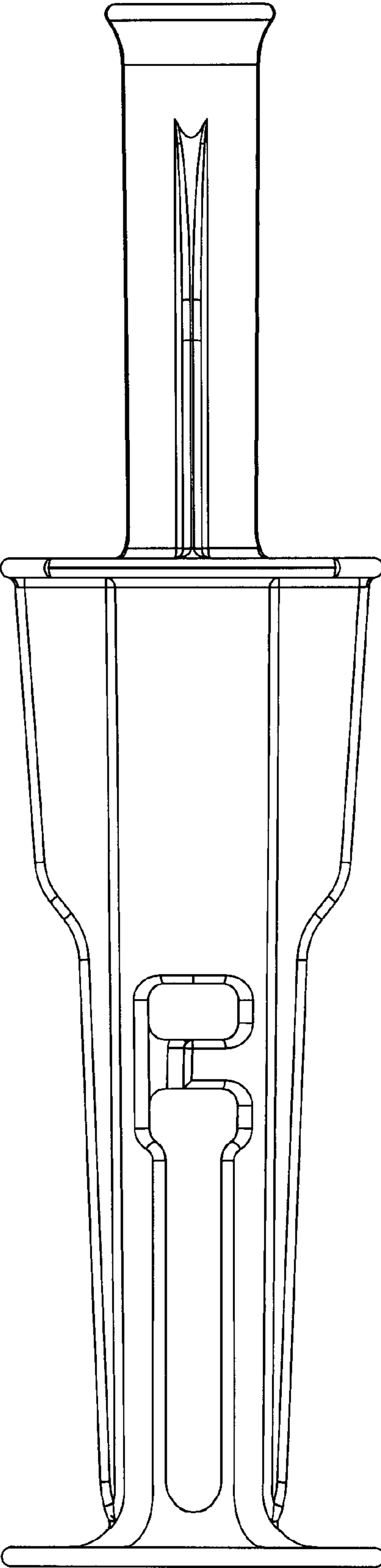


FIG. 7