



US00D603251S

(12) **United States Design Patent**
King

(10) **Patent No.:** **US D603,251 S**
(45) **Date of Patent:** **** Nov. 3, 2009**

(54) **WING NUT FASTENER**

D484,786 S * 1/2004 O'Connor D8/398

(76) Inventor: **William King**, 6103 Cassia Dr., Fort
Pierce, FL (US) 34982

* cited by examiner

(**) Term: **14 Years**

Primary Examiner—Holly H Baynham

Assistant Examiner—Sheryl Lane

(21) Appl. No.: **29/327,448**

(74) *Attorney, Agent, or Firm*—Gold & Rizvi, P.A.; Glenn E.
Gold; H. John Rizvi

(22) Filed: **Nov. 5, 2008**

(57) **CLAIM**

(51) **LOC (9) Cl.** **08-08**

I claim the ornamental design for a wing nut fastener, as
shown and described.

(52) **U.S. Cl.** **D8/387; D8/398**

(58) **Field of Classification Search** D8/387,
D8/398; 411/435, 437, 510, 427, 337, 429

DESCRIPTION

See application file for complete search history.

FIG. 1 is an isometric view of a wing nut fastener showing my
new design;

FIG. 2 is a top view of the wing nut fastener;

FIG. 3 is a front side view thereof;

FIG. 4 is a left view thereof;

FIG. 5 is a right view thereof; and,

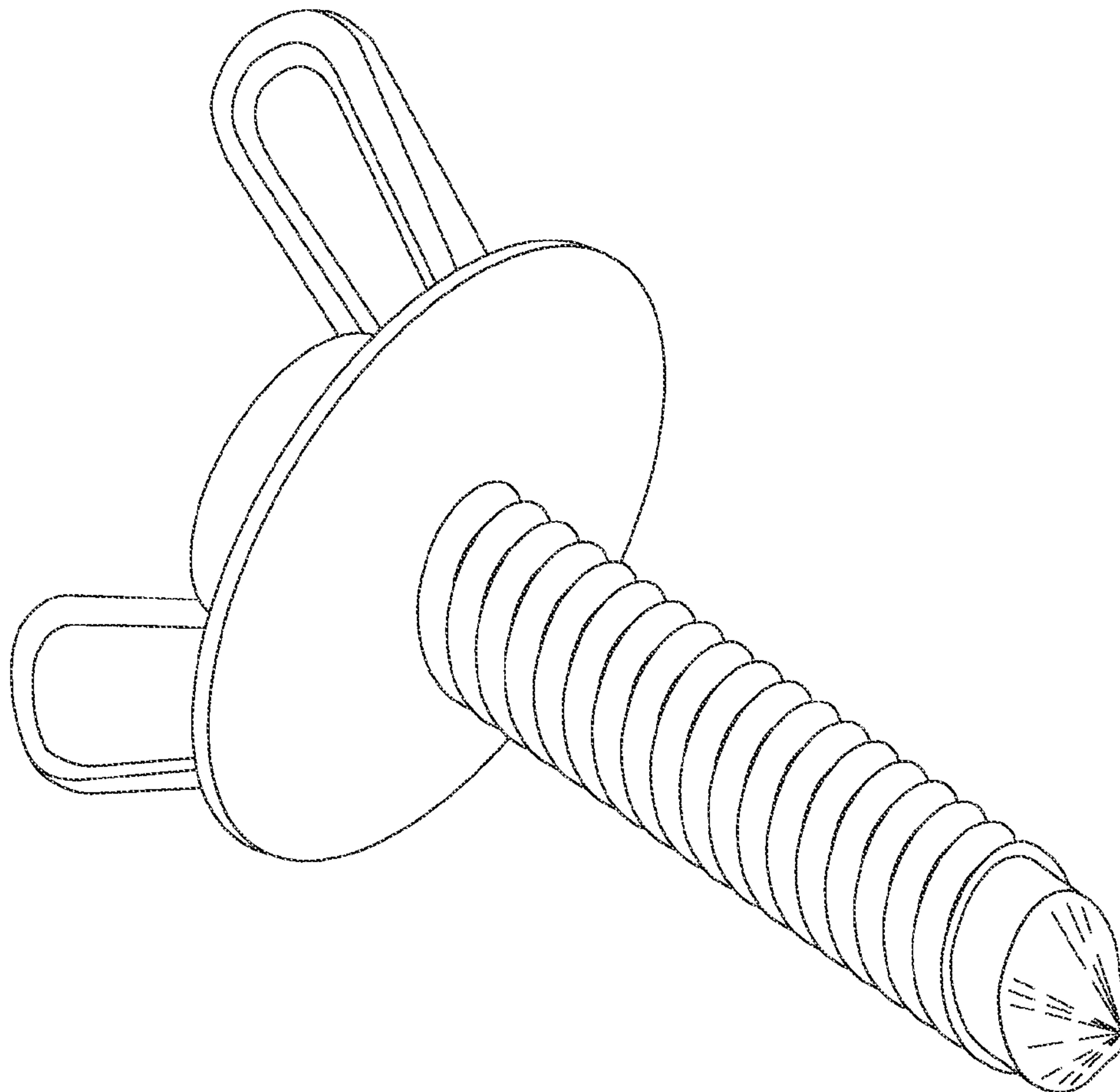
FIG. 6 is a bottom view thereof.

(56) **References Cited**

U.S. PATENT DOCUMENTS

D259,171	S	*	5/1981	Wallace	D8/385
D272,454	S	*	1/1984	Boudreaux	D21/471
4,600,344	A	*	7/1986	Sutenbach et al.	411/435
D308,820	S	*	6/1990	Gonzales	D8/398
D373,623	S	*	9/1996	Mathison	D23/260

1 Claim, 2 Drawing Sheets



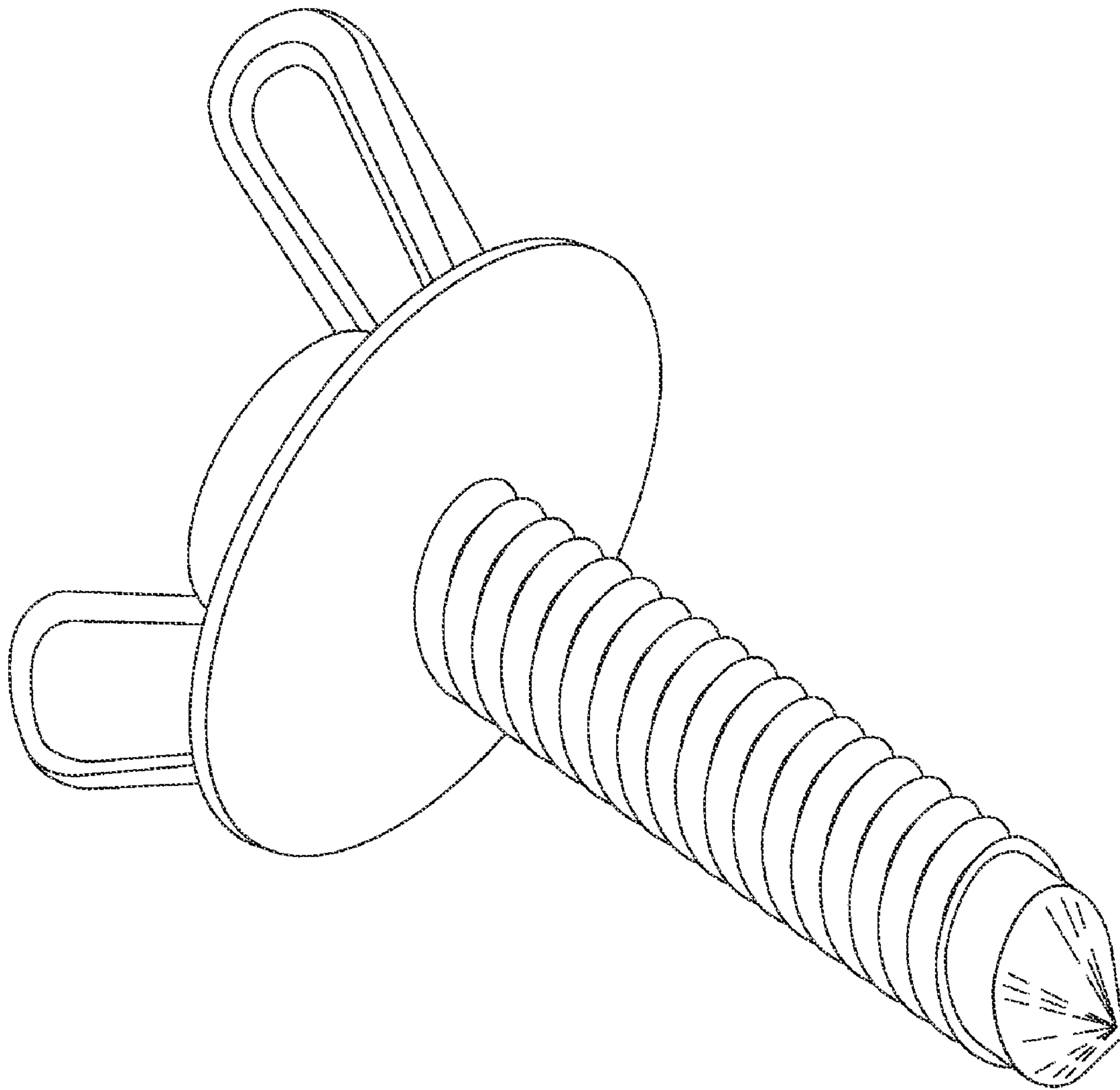


FIG. 1

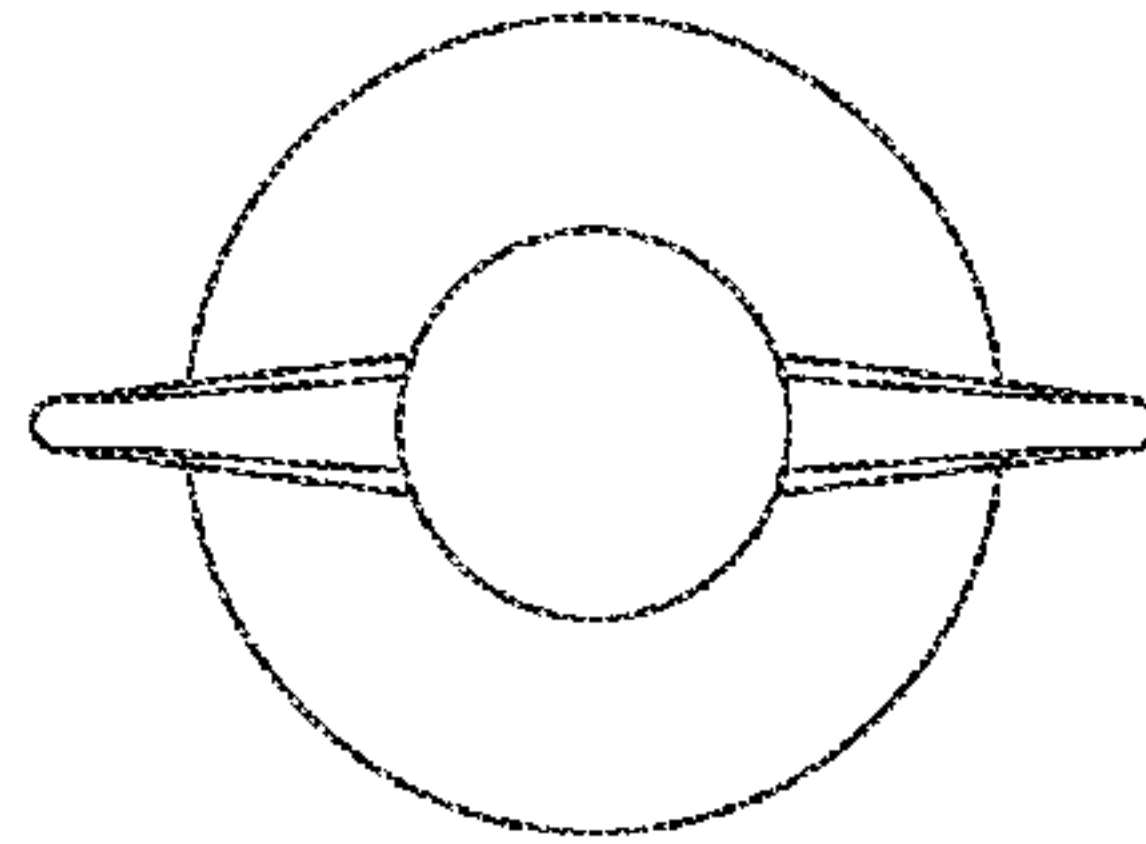


FIG. 2

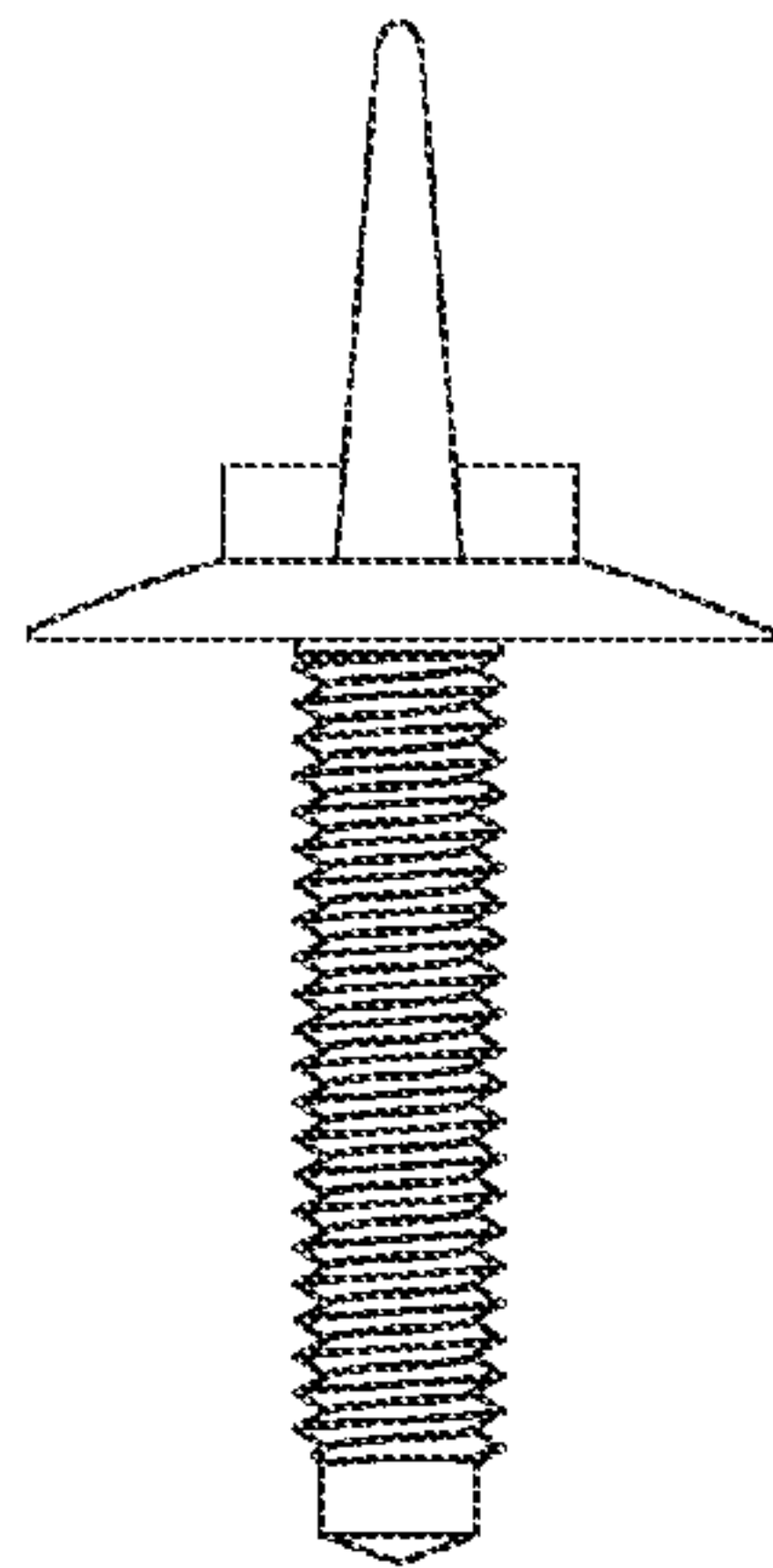


FIG. 4

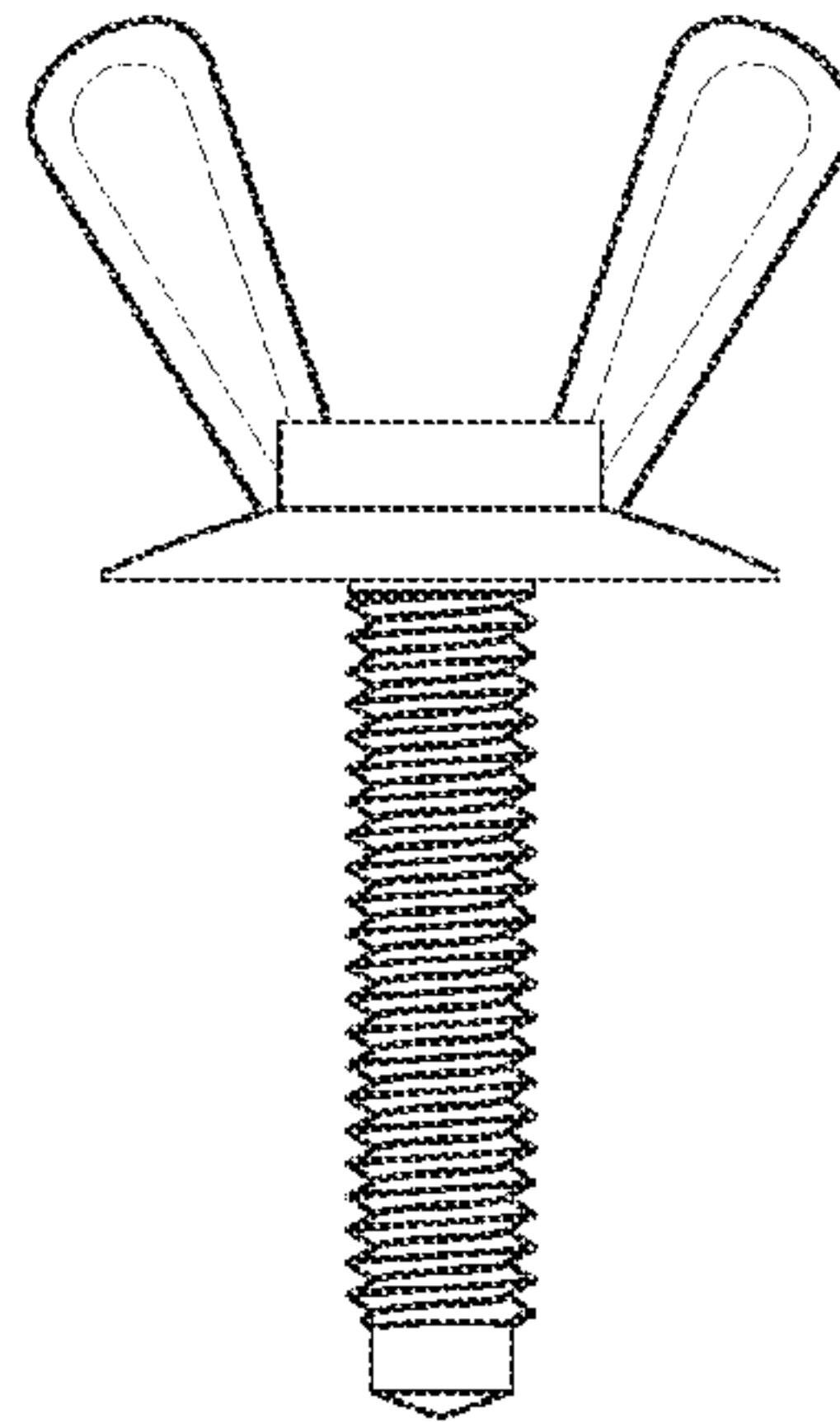


FIG. 3

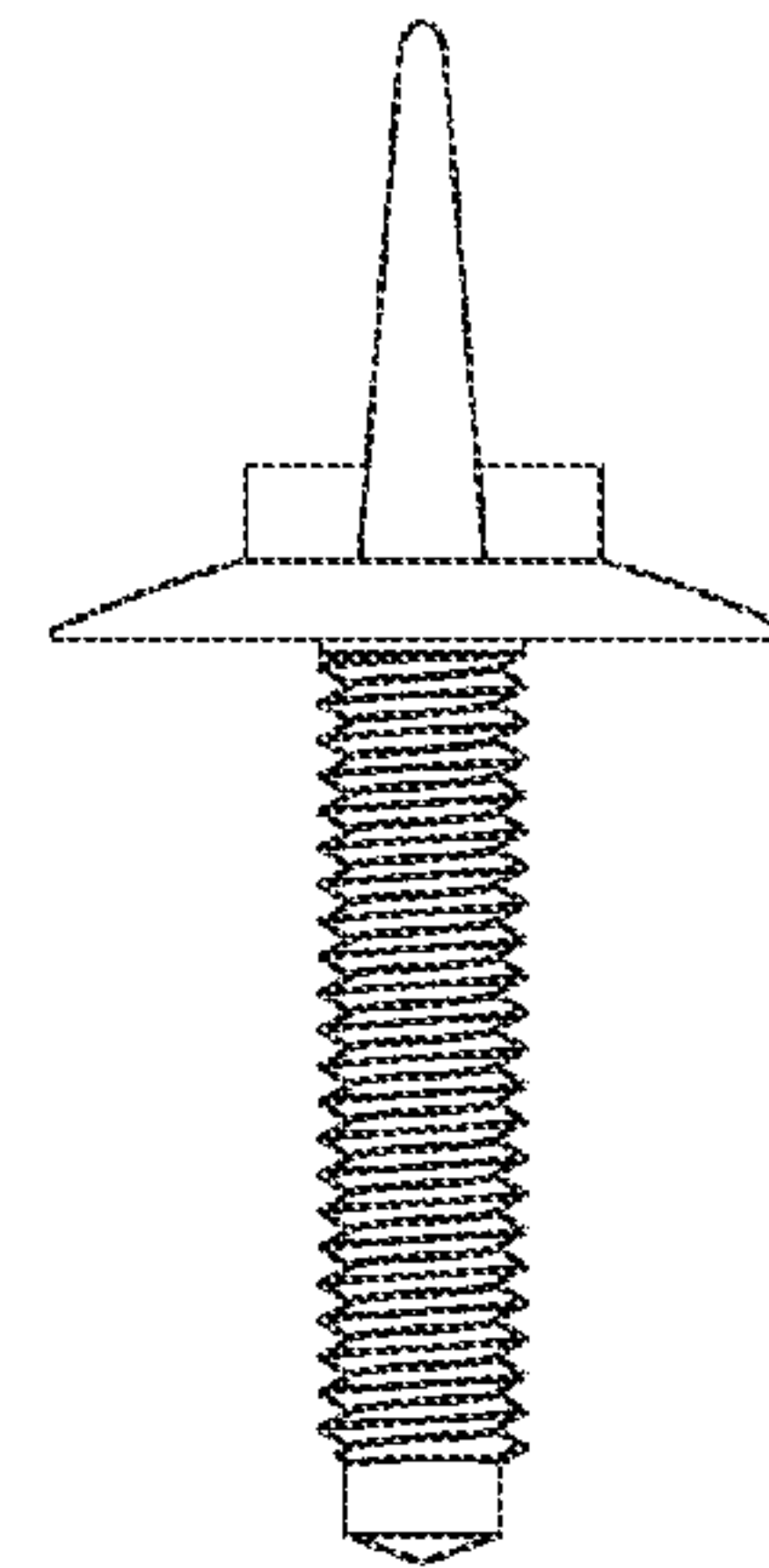


FIG. 5

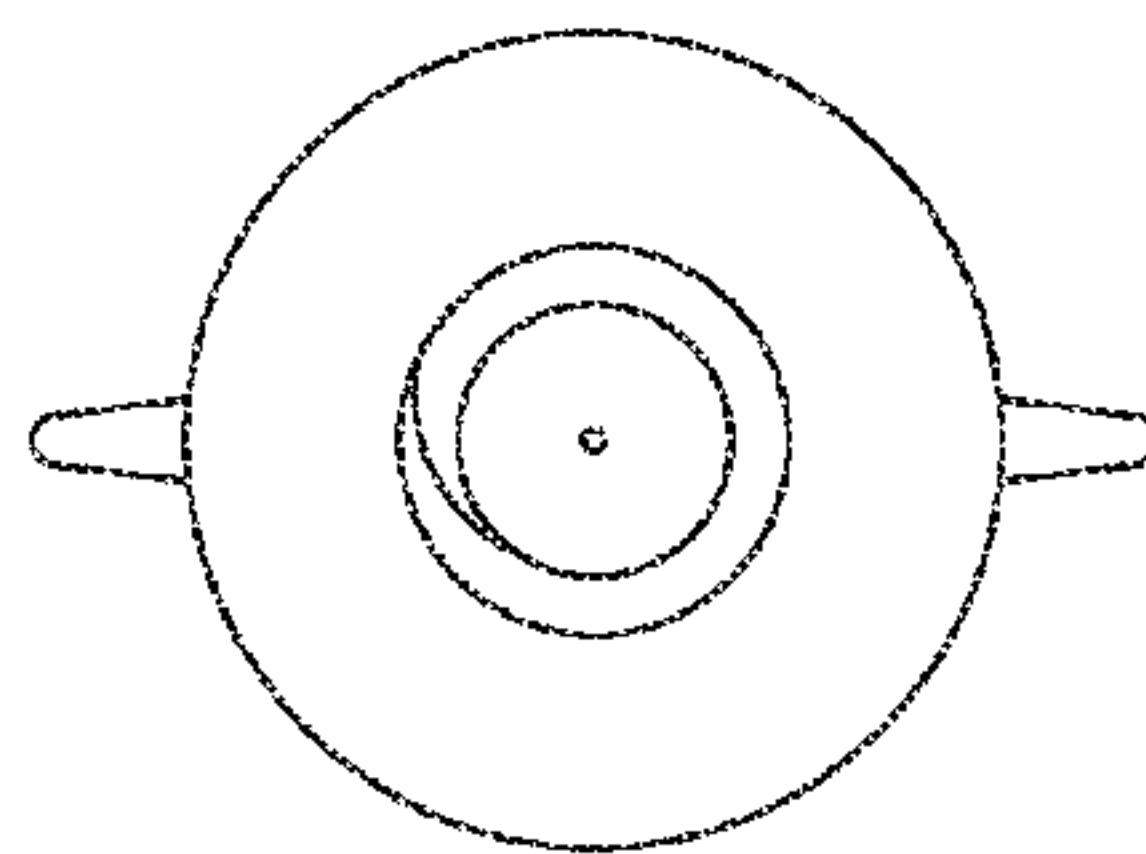


FIG. 6