



US00D603250S

(12) **United States Design Patent**  
**Hsu**

(10) **Patent No.:** **US D603,250 S**

(45) **Date of Patent:** **\*\* Nov. 3, 2009**

(54) **FERRULE OF A GARDENING TOOL**

(76) Inventor: **Shih-Hao Hsu**, 58, Ma Yuan West St.,  
Taichung (TW)

(\*\*) Term: **14 Years**

(21) Appl. No.: **29/310,977**

(22) Filed: **Sep. 23, 2008**

(51) **LOC (9) Cl.** ..... **08-08**

(52) **U.S. Cl.** ..... **D8/382; D8/13**

(58) **Field of Classification Search** ..... D8/1,  
D8/13, 382; 56/400.12-400.15

See application file for complete search history.

(56) **References Cited**

U.S. PATENT DOCUMENTS

5,004,053 A \* 4/1991 Martell ..... 172/375

D384,817 S \* 10/1997 Narubin et al. .... D4/199

D592,023 S \* 5/2009 Herrle ..... D8/13

\* cited by examiner

*Primary Examiner*—Holly H Baynham

*Assistant Examiner*—Sheryl Lane

(74) *Attorney, Agent, or Firm*—Alan Kamrath; Kamrath &  
Associates PA

(57) **CLAIM**

The ornamental design for a ferrule of a gardening tool, as  
shown and described.

**DESCRIPTION**

FIG. 1 is a perspective view of a ferrule of a gardening tool  
showing my design;

FIG. 2 is a front elevational view thereof;

FIG. 3 is a rear elevational view thereof;

FIG. 4 is a left side elevational view thereof;

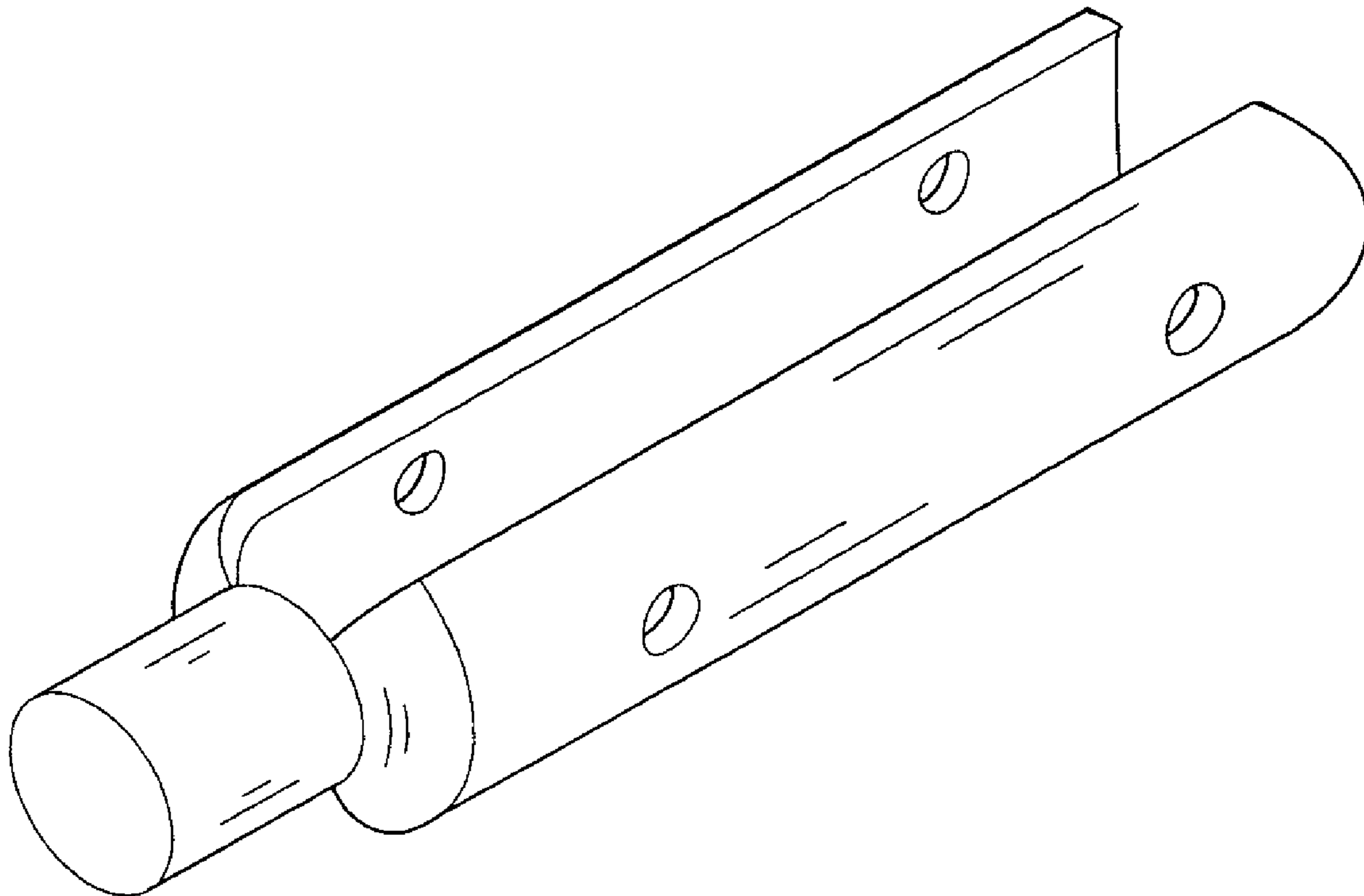
FIG. 5 is a right side elevational view thereof;

FIG. 6 is a top plan view thereof;

FIG. 7 is a bottom plan view thereof; and,

FIG. 8 is a perspective schematic view illustrating an appli-  
cation of a ferrule of a gardening tool showing my design. The  
broken lines shown in the figure are for illustrative purposes  
only and form no part of the claimed design.

**1 Claim, 8 Drawing Sheets**



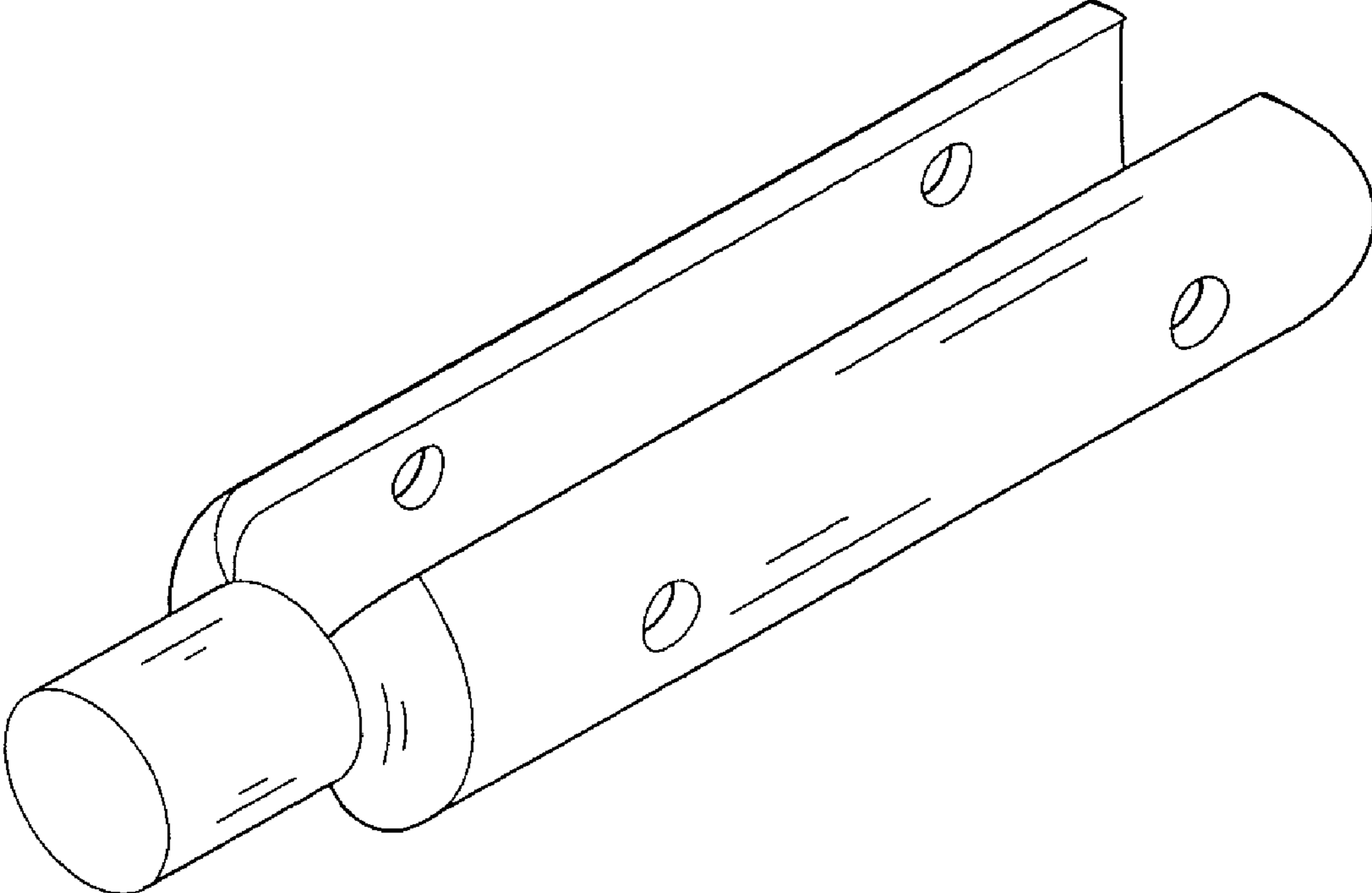


FIG. 1

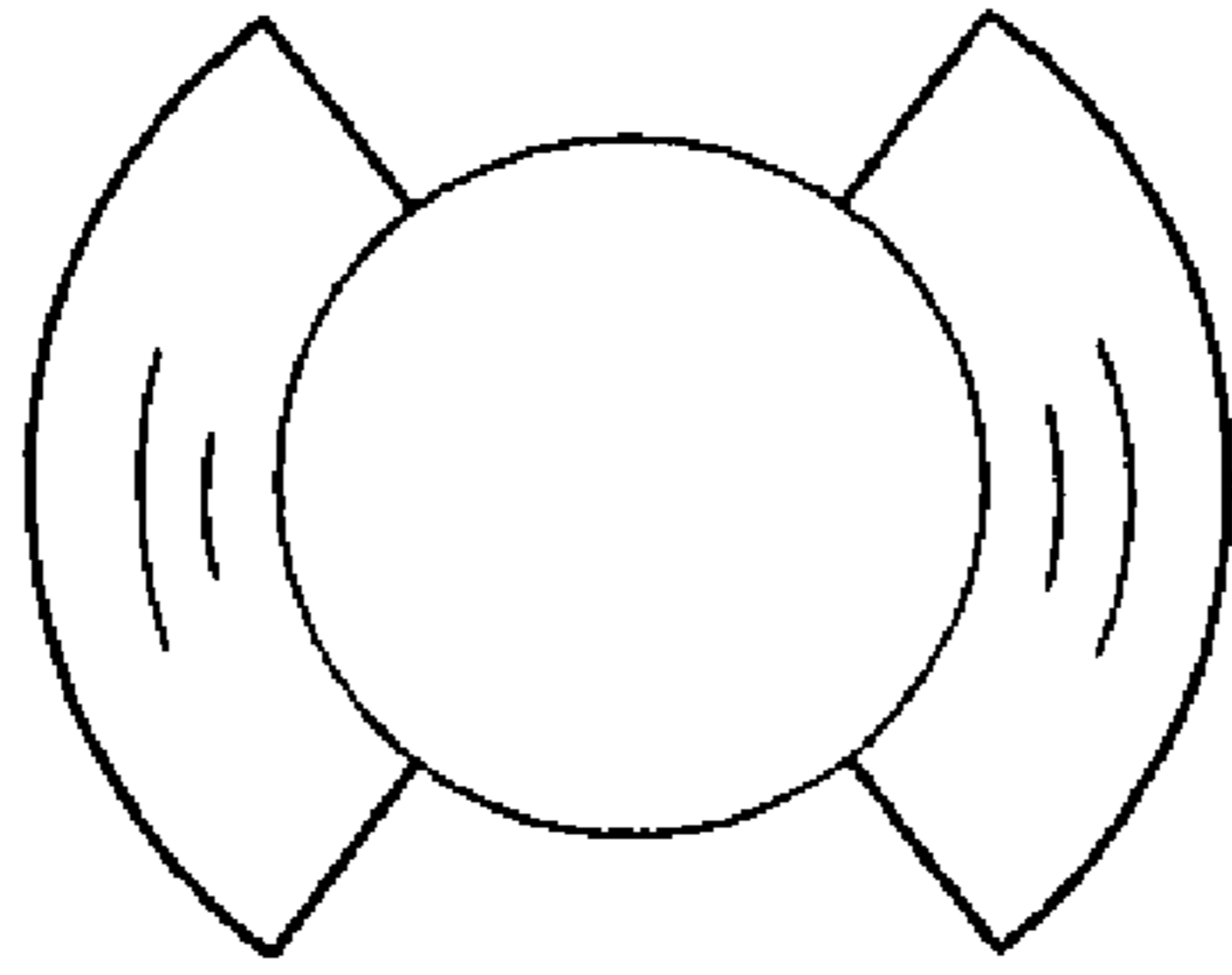


FIG. 2

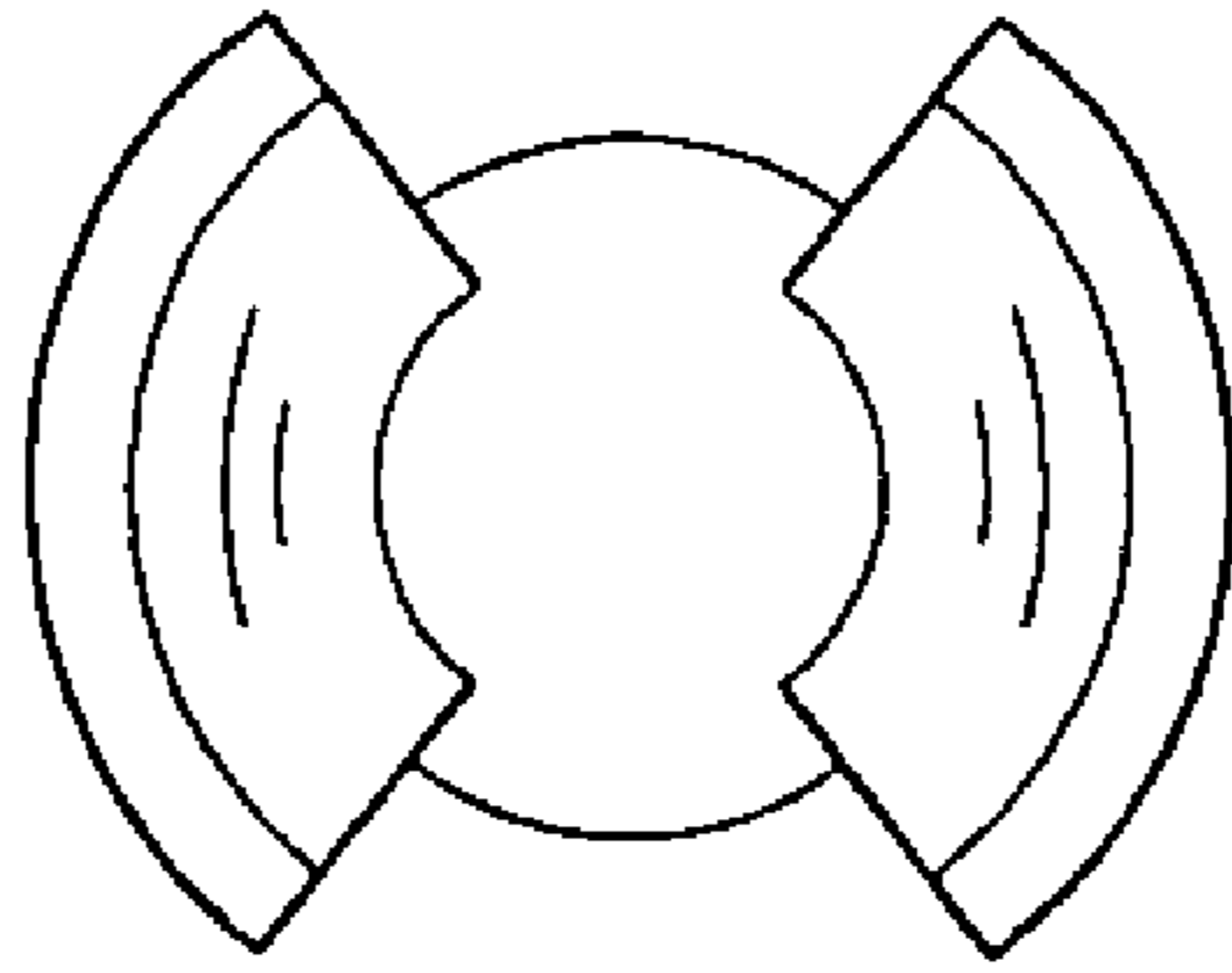


FIG. 3

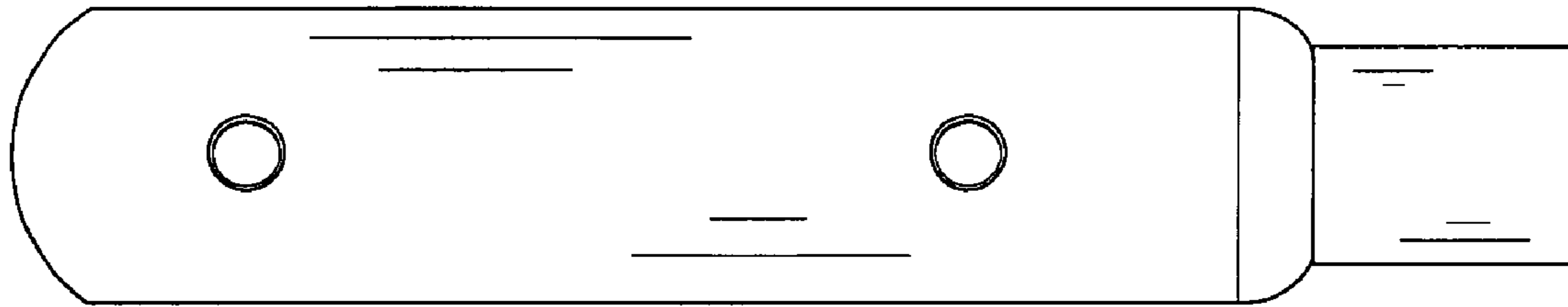


FIG. 4

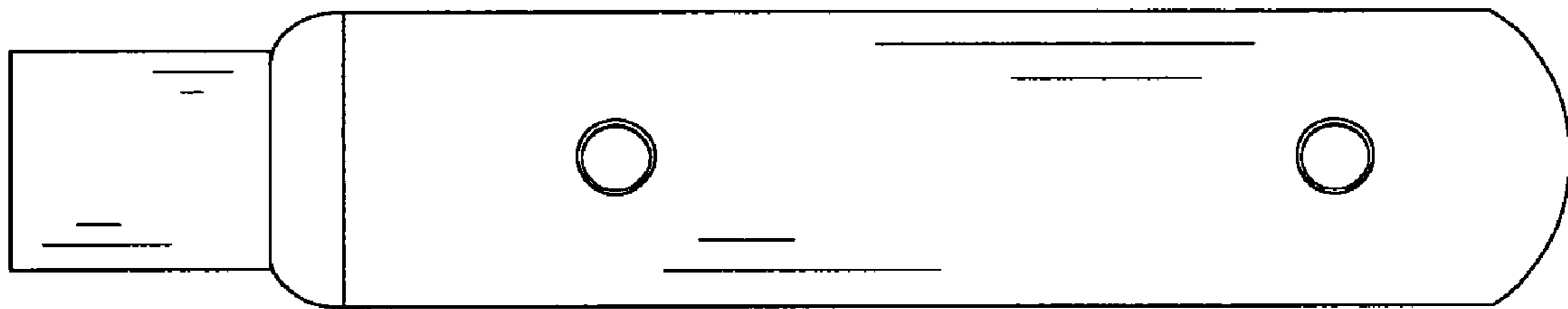


FIG. 5

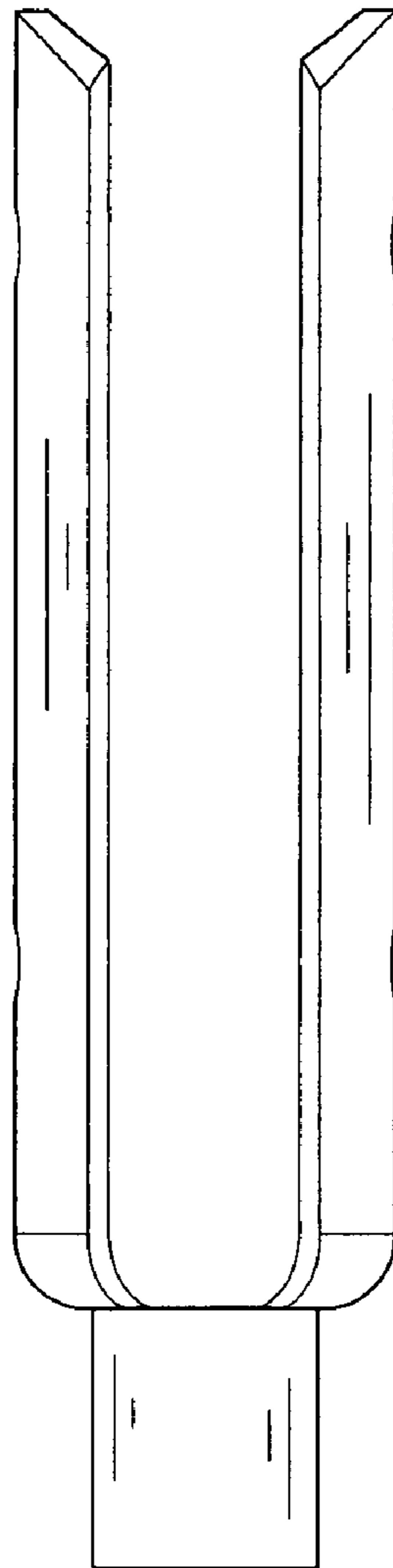


FIG. 6

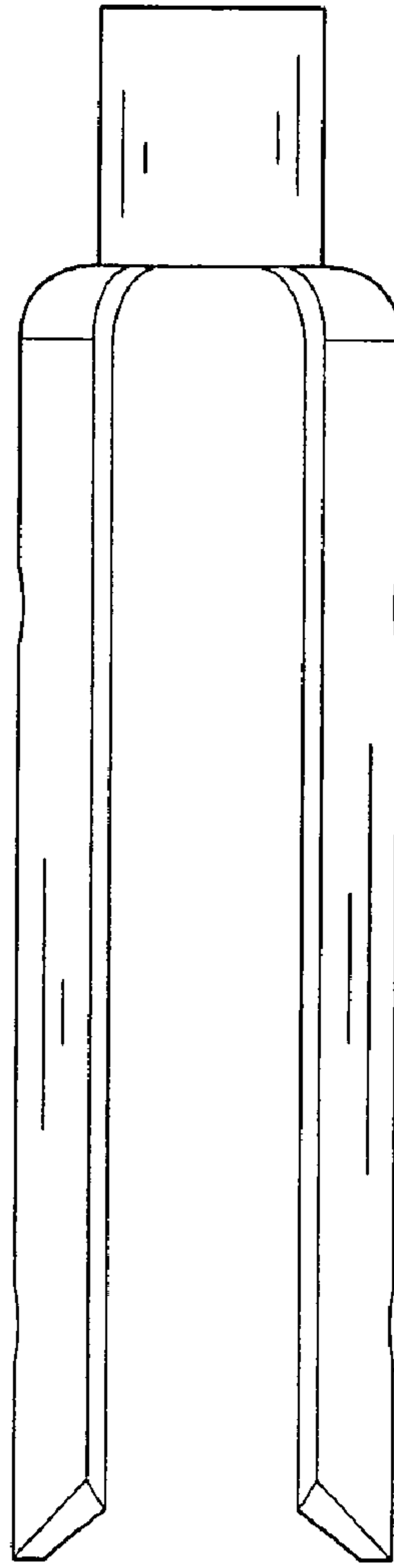


FIG. 7



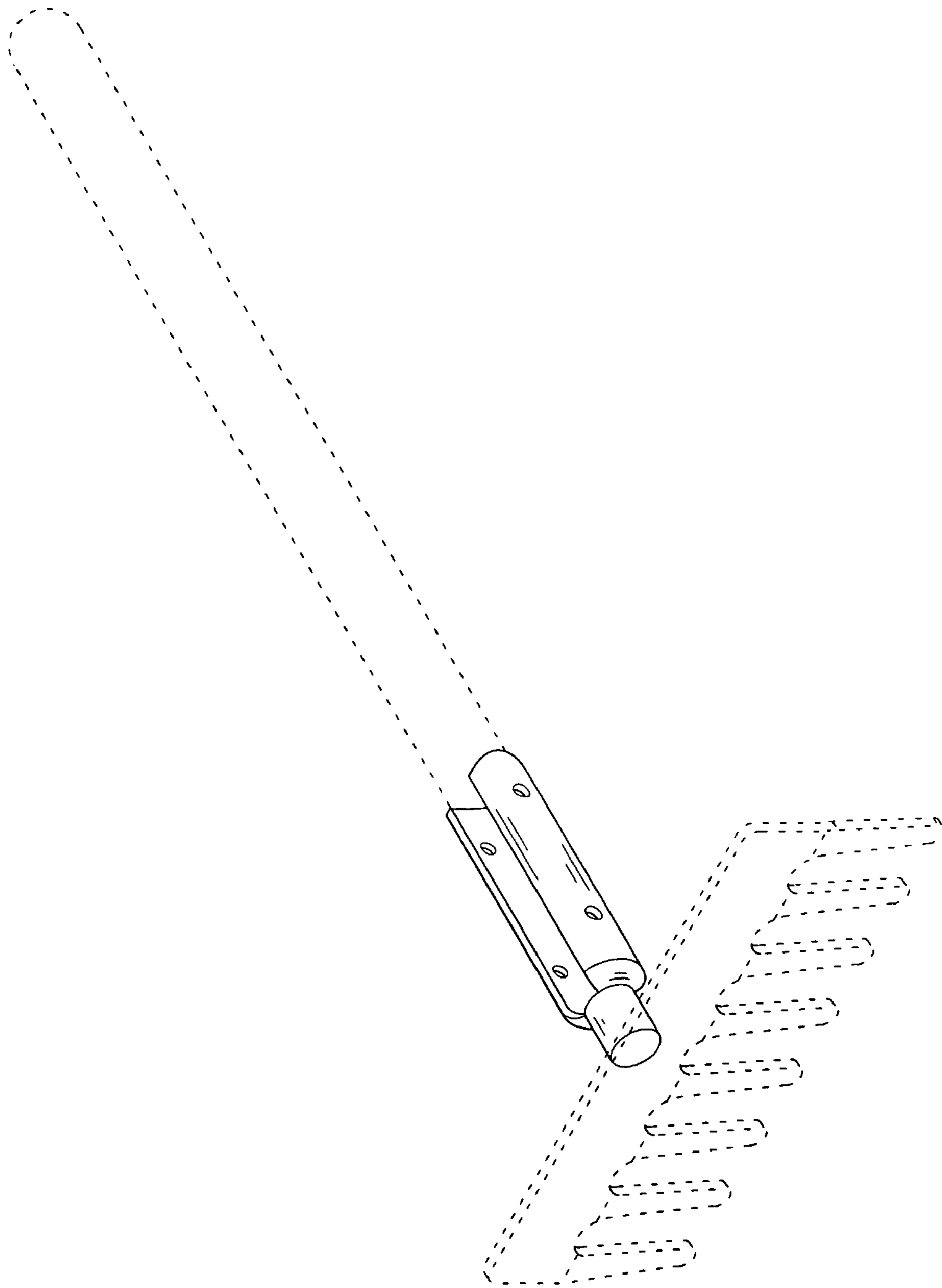


FIG. 8