



US00D603249S

(12) **United States Design Patent**  
**Richter**

(10) **Patent No.:** **US D603,249 S**

(45) **Date of Patent:** **\*\* Nov. 3, 2009**

(54) **EAR PIECE HOLDER**

(76) Inventor: **Harald Richter**, Hohenstrasse 32, 75331 Engelbrand (DE)

(\*\*) Term: **14 Years**

(21) Appl. No.: **29/314,395**

(22) Filed: **Mar. 26, 2009**

(51) **LOC (9) Cl.** ..... **08-05**

(52) **U.S. Cl.** ..... **D8/380**

(58) **Field of Classification Search** ..... D6/525;  
D8/363, 367, 373, 374, 376, 377, 380, 381;  
D14/253; 24/573, 597

See application file for complete search history.

(56) **References Cited**

**U.S. PATENT DOCUMENTS**

D321,885 S *	11/1991	Sheldrake	.....	D8/373
D358,822 S *	5/1995	Rudkiewicz et al.	.....	D14/253
D377,600 S *	1/1997	Sacks et al.	.....	D8/373
D419,808 S *	2/2000	Hampshire	.....	D6/553
D533,740 S *	12/2006	Dombrowski et al.	.....	D8/373
D543,838 S *	6/2007	Yoshiguchi	.....	D8/373
D580,746 S *	11/2008	Schmidt	.....	D8/373
2006/0076355 A1 *	4/2006	Sofy	.....	220/751
2006/0230523 A1 *	10/2006	Wilson et al.	.....	4/576.1

\* cited by examiner

*Primary Examiner*—Sandra Snapp  
*Assistant Examiner*—Patricia Palasik  
(74) *Attorney, Agent, or Firm*—Klaus J. Bach

(57) **CLAIM**

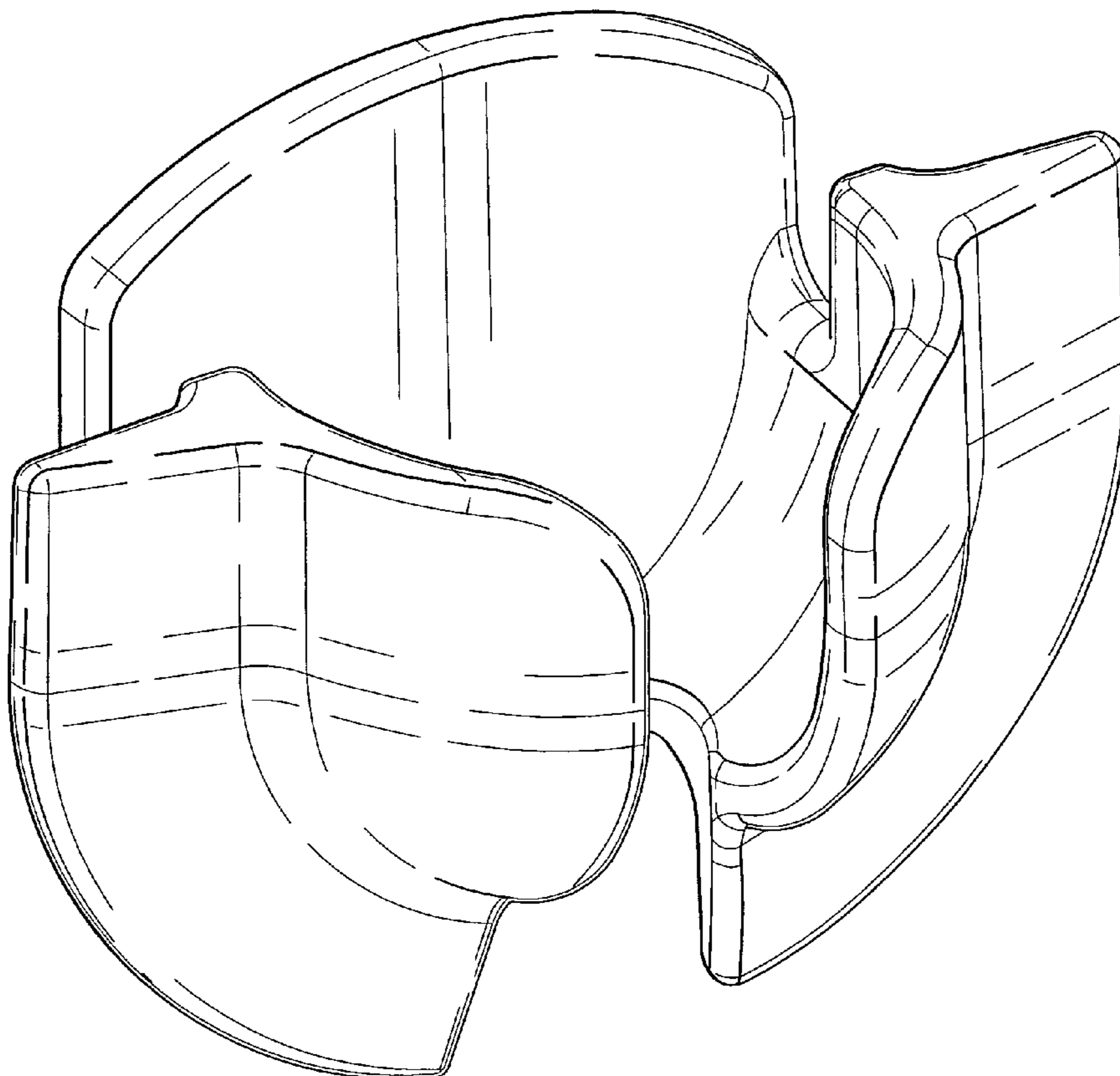
The ornamental design for an ear piece holder, as shown and described.

**DESCRIPTION**

FIG. 1 is a perspective view of an ear piece holder, FIG. 2 is a front view of the ear piece holder shown in FIG. 1, FIG. 3 is a rear view of the ear piece holder shown in FIG. 2, FIG. 4 is a top view of the ear piece holder shown in FIG. 2, FIG. 5 is a bottom view of the ear piece holder as shown in FIG. 2, FIG. 6 is a right side view of the ear piece holder as shown in FIG. 2; and, FIG. 7 is a left side view of the ear piece holder as shown in FIG. 2.

The ear piece holder is attached for example to a dashboard for supporting an earpiece of a telephone, a hearing aid or other small equipment in a convenient position, where it can easily be found and retrieved when needed.

**1 Claim, 4 Drawing Sheets**



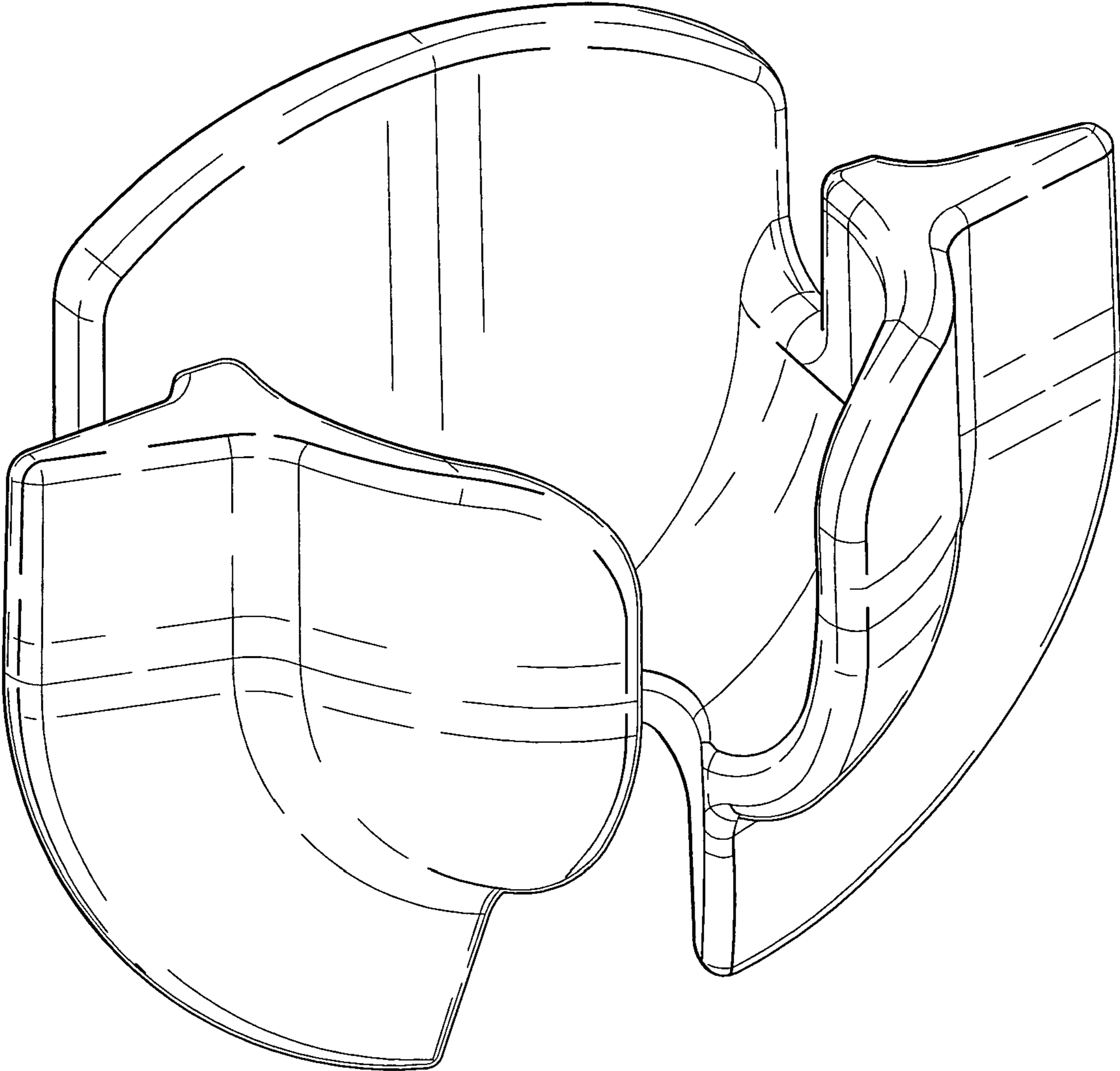
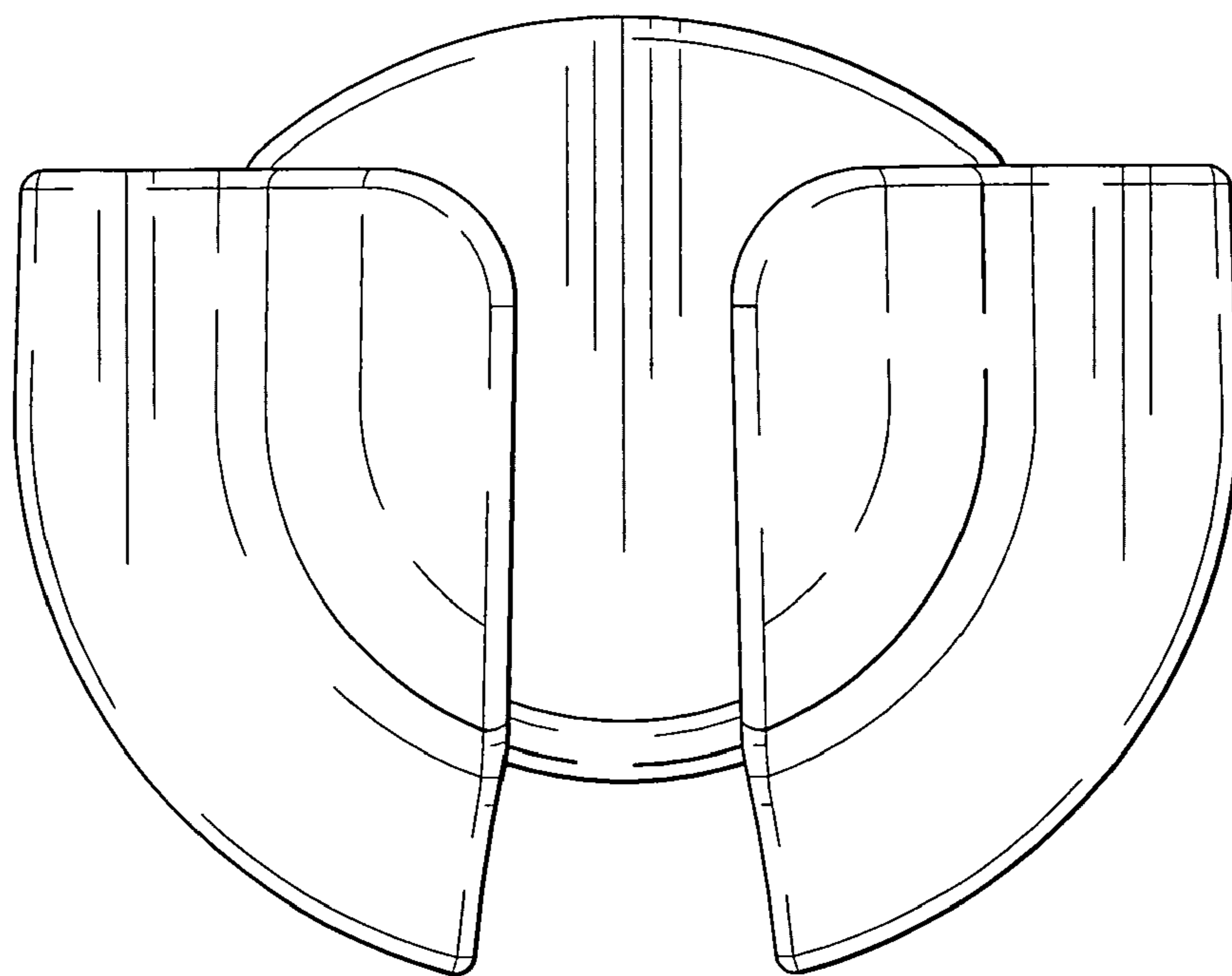
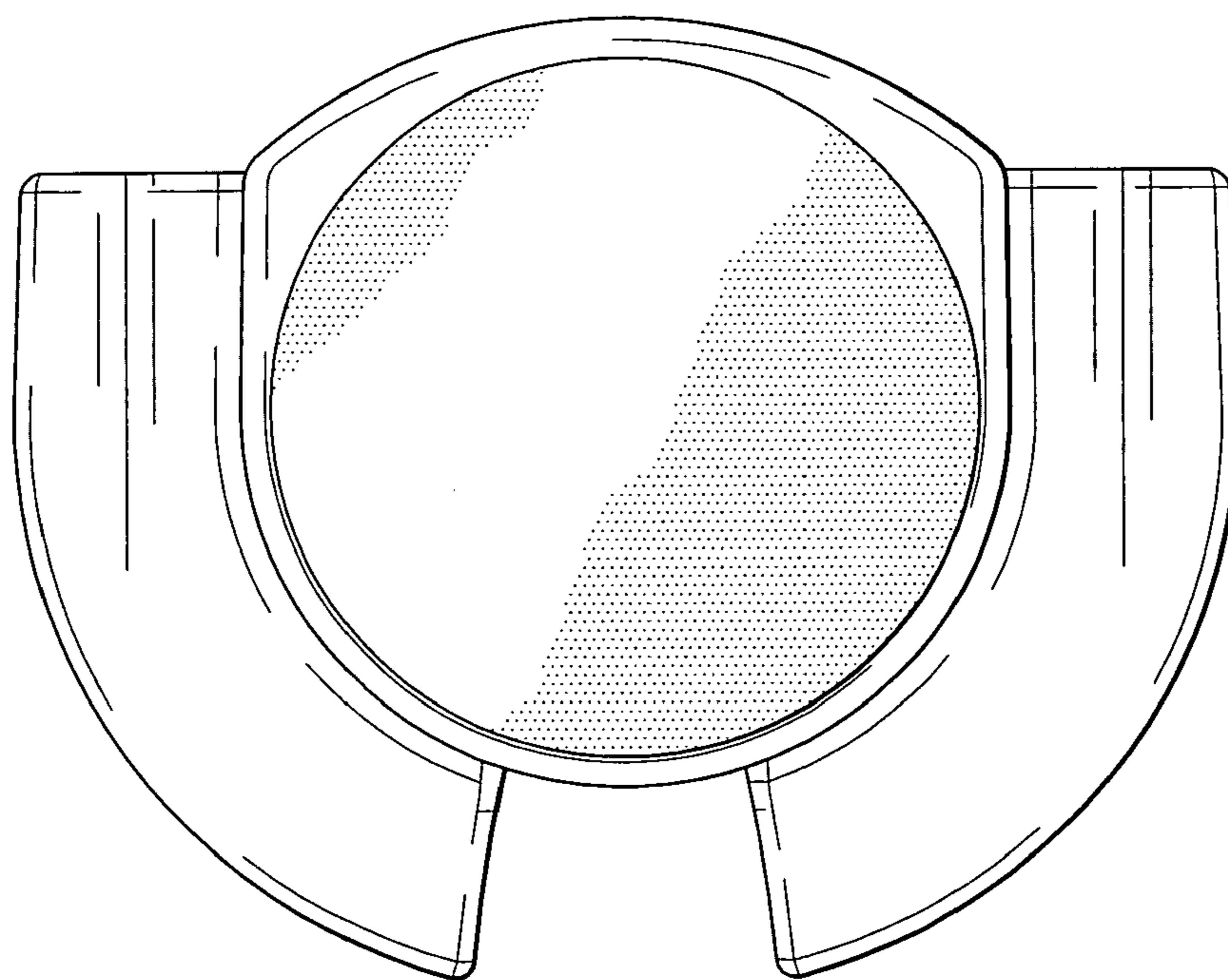


FIG. 1



*FIG. 2*



*FIG. 3*

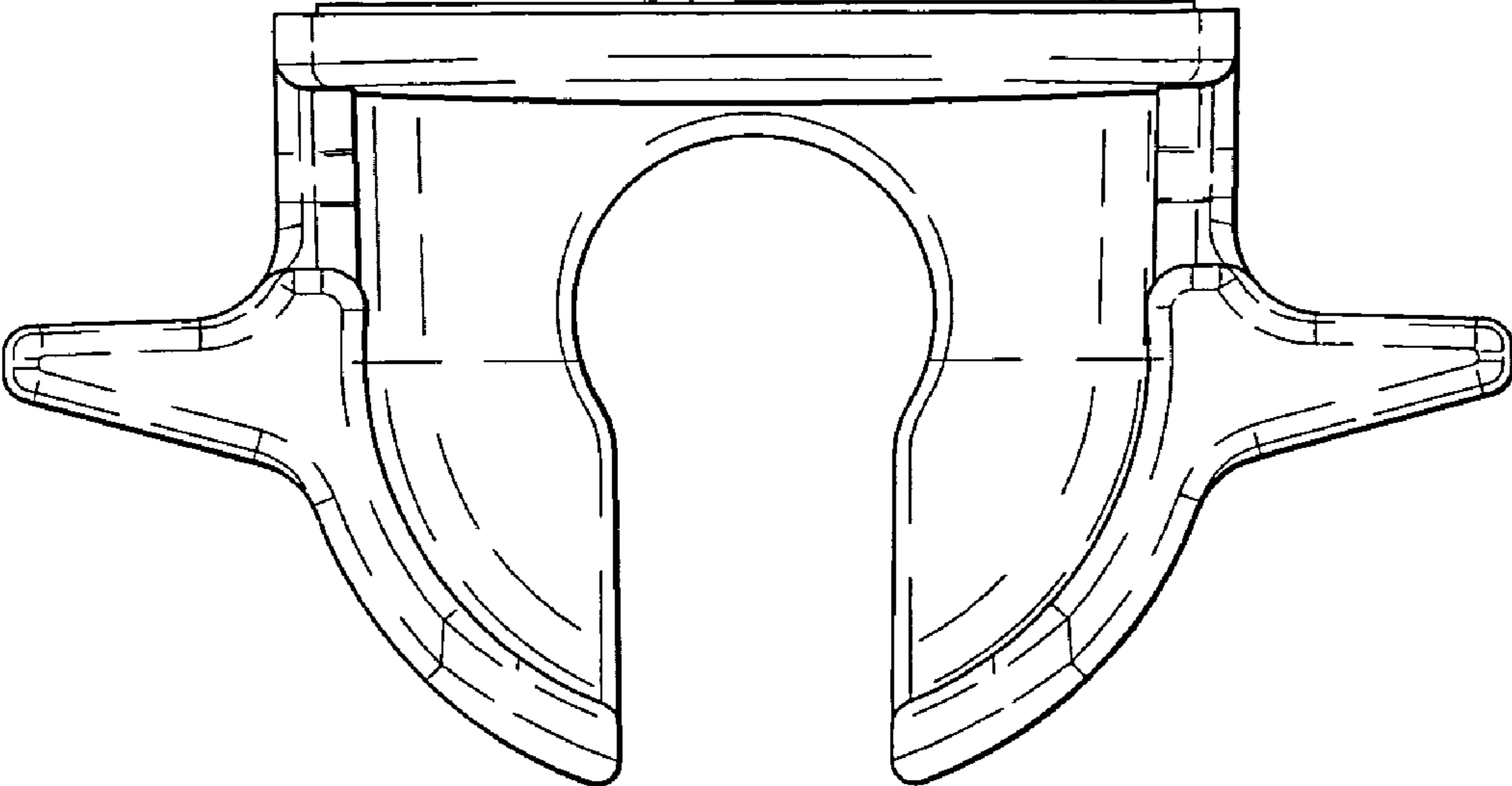


FIG. 4

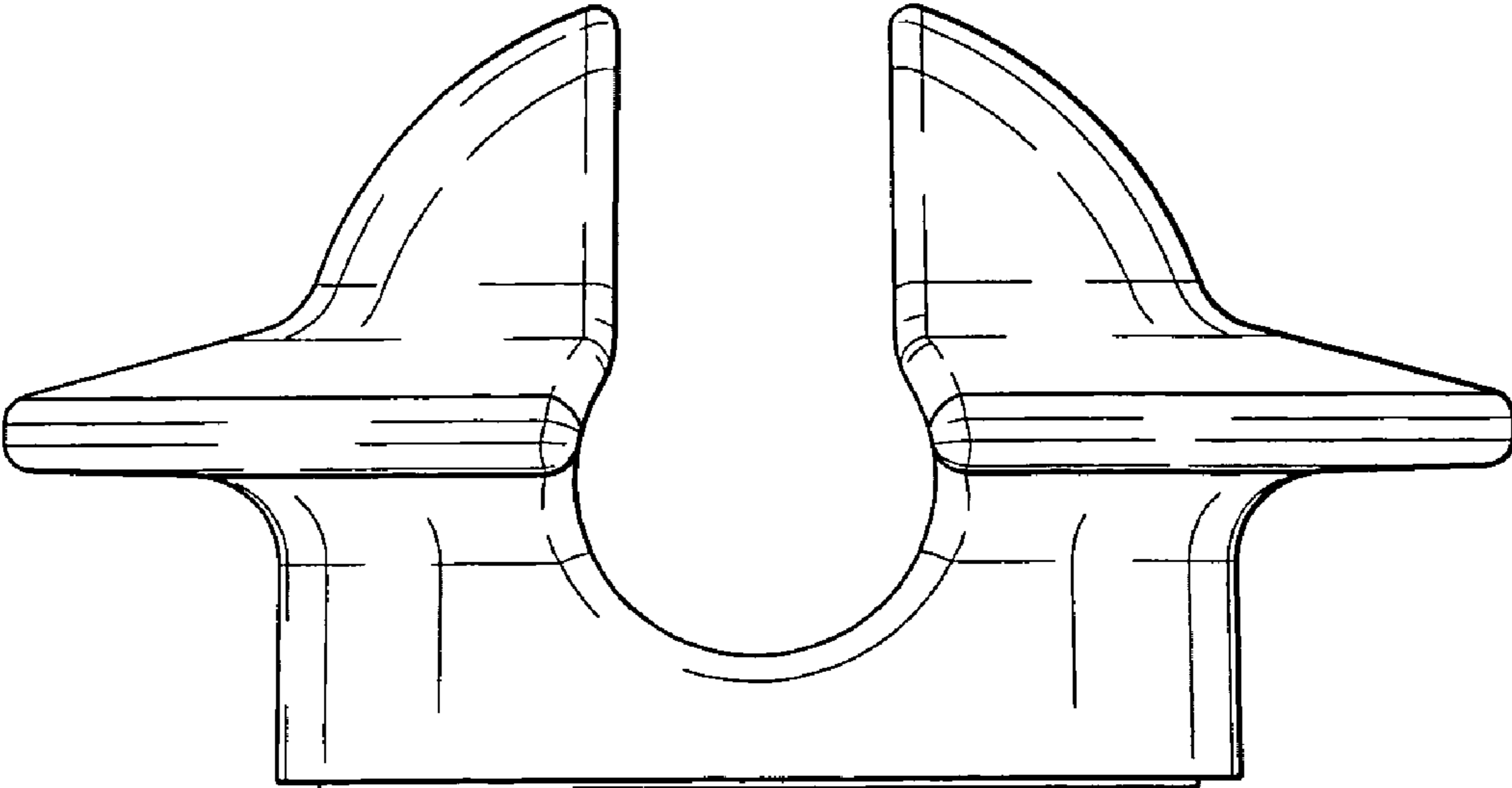
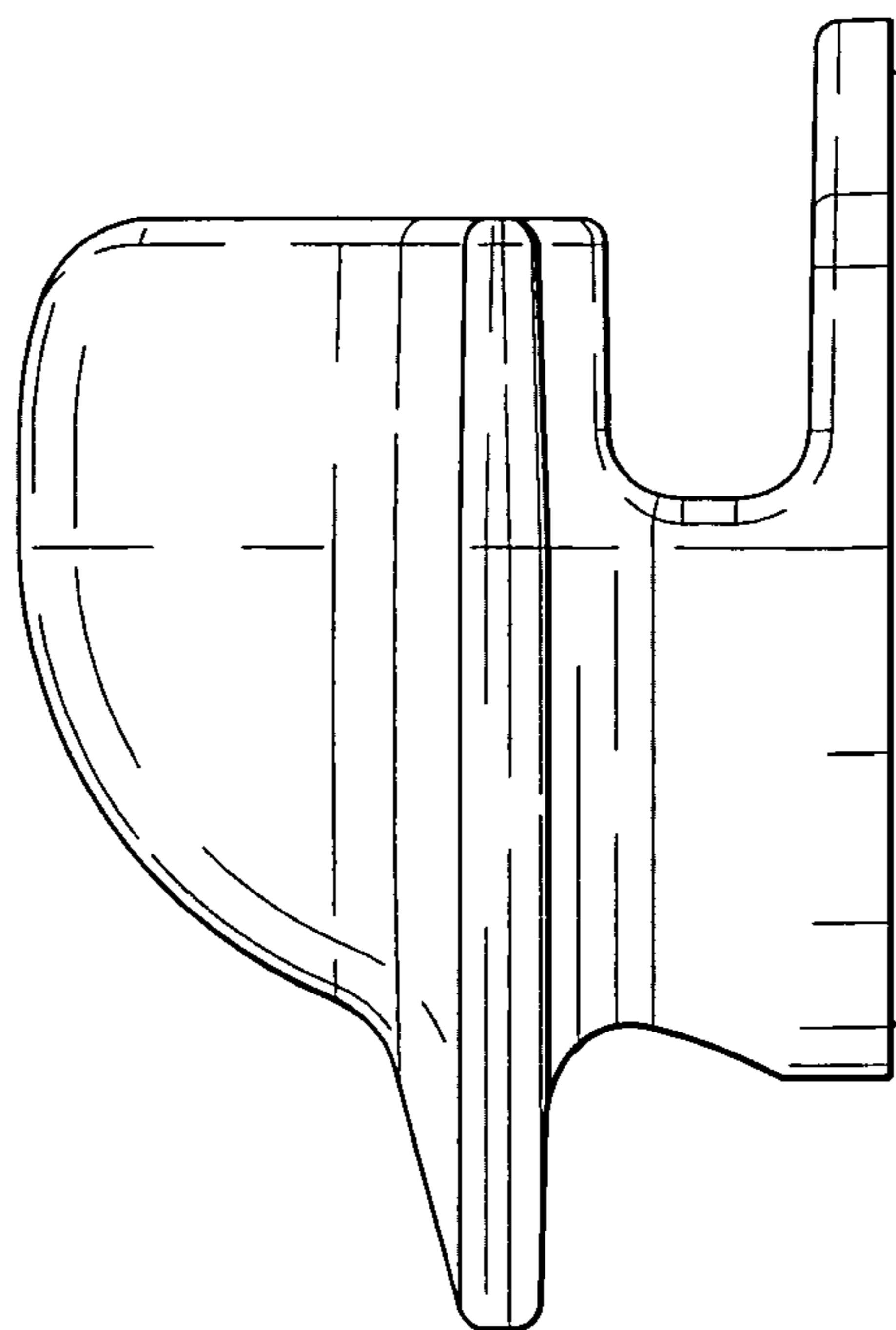
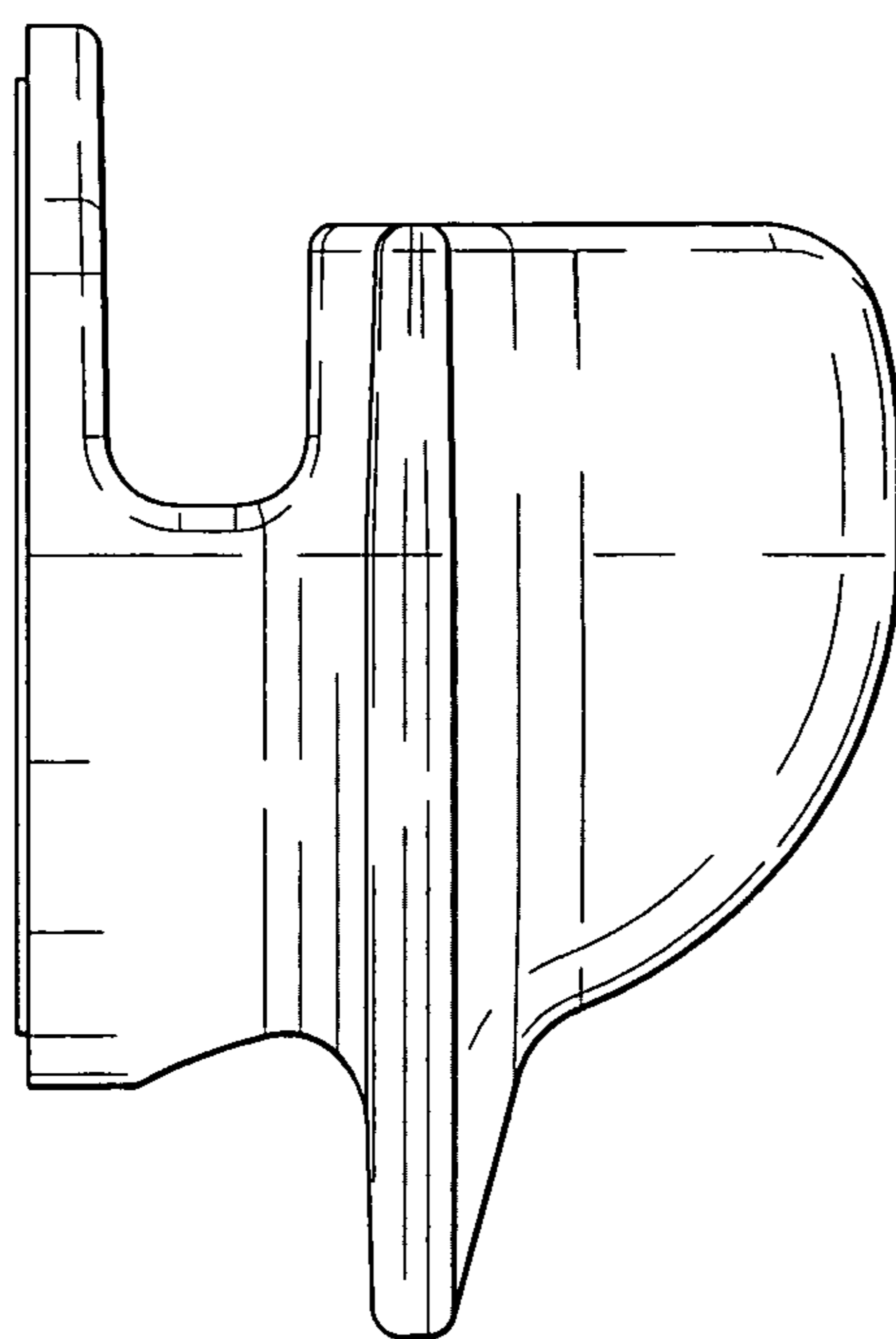


FIG. 5



*FIG. 6*



*FIG. 7*