

US00D603248S

(12) **United States Design Patent**
Bar-Erez

(10) **Patent No.:** **US D603,248 S**

(45) **Date of Patent:** **** Nov. 3, 2009**

(54) **TAPE RULE HOLDER**

(75) Inventor: **Arik Bar-Erez**, Kfar Sirkin (IL)

(73) Assignee: **The Stanley Works**, New Britain, CT
(US)

(**) Term: **14 Years**

(21) Appl. No.: **29/325,220**

(22) Filed: **Sep. 26, 2008**

(51) **LOC (9) Cl.** **08-03**

(52) **U.S. Cl.** **D8/373**

(58) **Field of Classification Search** D8/349,
D8/354, 373; 248/309.1; 224/349, 666,
224/673, 681, 904, 930, 679

See application file for complete search history.

(56) **References Cited**

U.S. PATENT DOCUMENTS

D196,542 S	10/1963	Zelnick	
4,598,027 A	7/1986	Johnson	
4,619,020 A	10/1986	Lecher, Sr.	
4,690,316 A	9/1987	Peterson	
4,754,528 A	7/1988	Lyons et al.	
4,757,927 A	7/1988	Rutty	
4,821,933 A	4/1989	Seber	
5,025,966 A	6/1991	Potter	
5,054,170 A	10/1991	Otrusina	
5,100,037 A	3/1992	Kopyta et al.	
5,388,741 A *	2/1995	Hillinger 224/679
5,450,994 A	9/1995	Malinowski	
5,551,613 A	9/1996	Malinowski	
D382,396 S *	8/1997	Campman D3/215
5,839,173 A	11/1998	Otrusina	

5,915,610 A	6/1999	Russell	
D440,862 S *	4/2001	Kaczmarek et al. D8/354
D443,199 S *	6/2001	Swanson D8/373
6,457,252 B1	10/2002	Kershner	
7,117,566 B1	10/2006	Ewing	
7,216,788 B2	5/2007	Blechman	
D583,989 S *	12/2008	Khubani D26/138
2005/0242144 A1	11/2005	Panosian et al.	
2006/0237509 A1	10/2006	Moore, Sr.	
2007/0180726 A1	8/2007	Harrell	
2008/0017683 A1	1/2008	Votel	
2008/0047997 A1	2/2008	Mayfield	
2008/0083796 A1	4/2008	Lalli	

* cited by examiner

Primary Examiner—Holly H Baynham

(74) *Attorney, Agent, or Firm*—Pillsbury Winthrop Shaw Pittman LLP

(57) **CLAIM**

The ornamental design for a tape rule holder, as shown and described.

DESCRIPTION

FIG. 1 is a perspective illustration of an embodiment of the tape rule holder according to my design;

FIG. 2 is a front plan view thereof;

FIG. 3 is a rear plan view thereof;

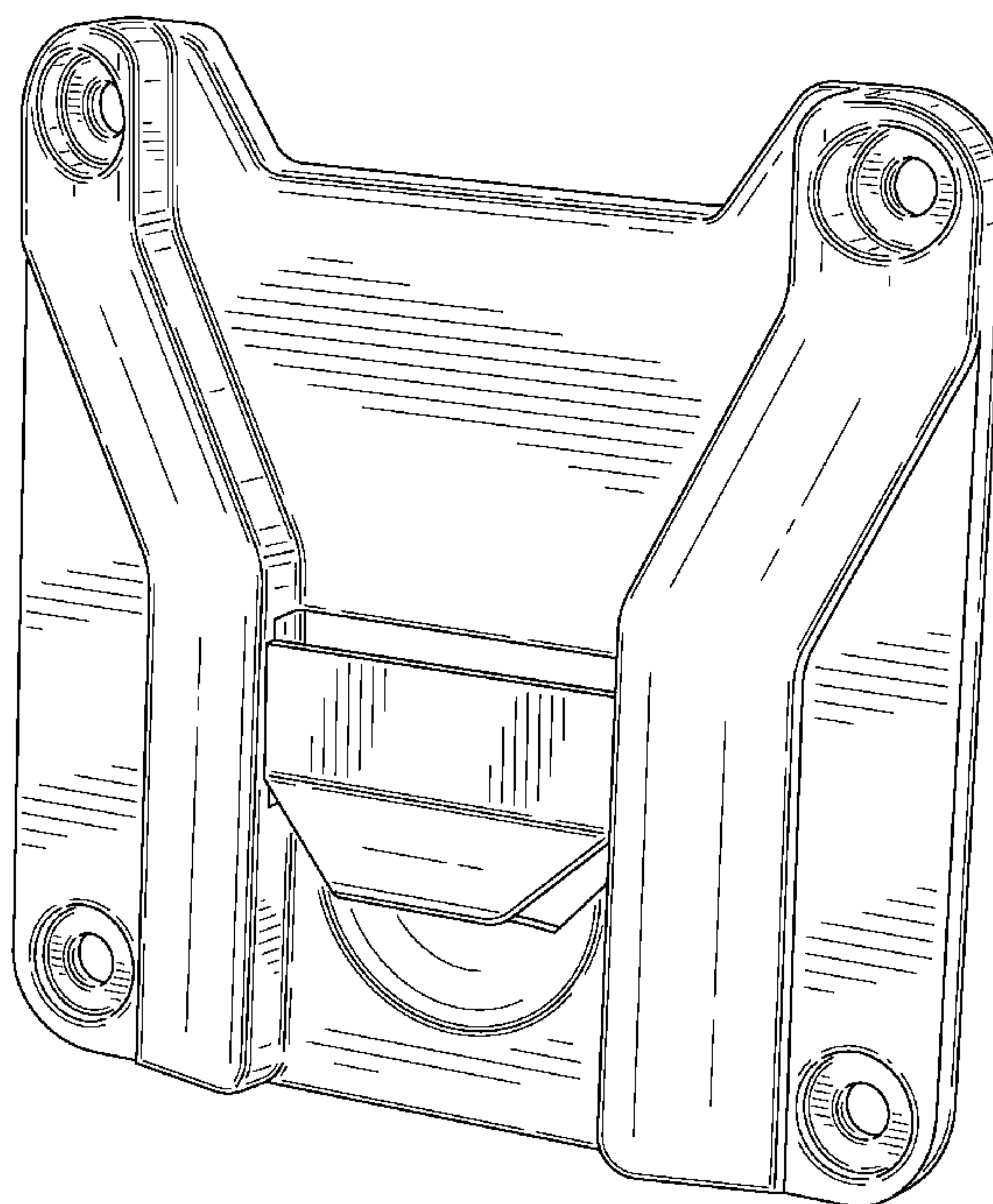
FIG. 4 is a left side view thereof;

FIG. 5 is a right side view thereof;

FIG. 6 is a top plan view thereof; and,

FIG. 7 is a bottom plan view thereof.

1 Claim, 5 Drawing Sheets



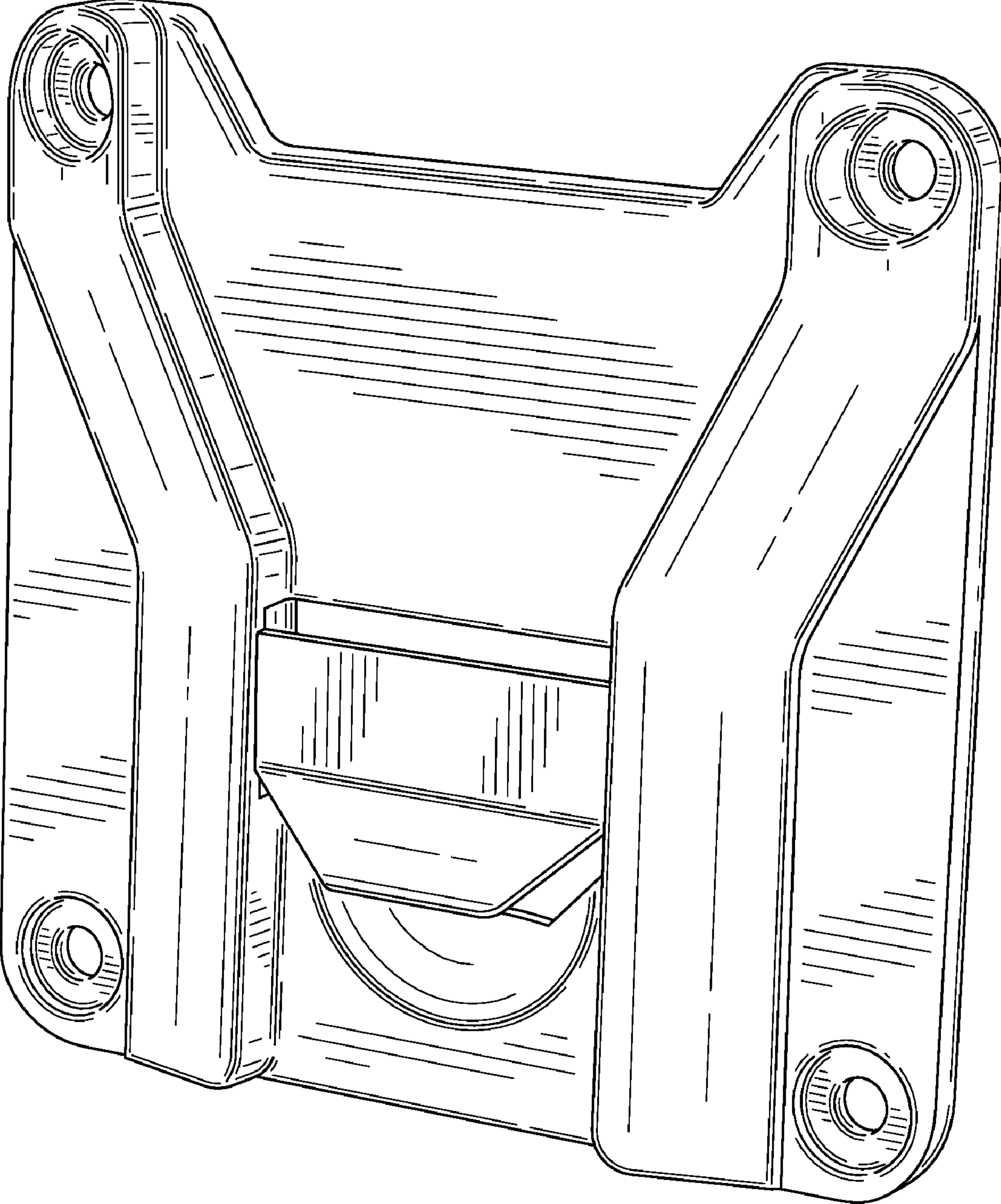


FIG. 1

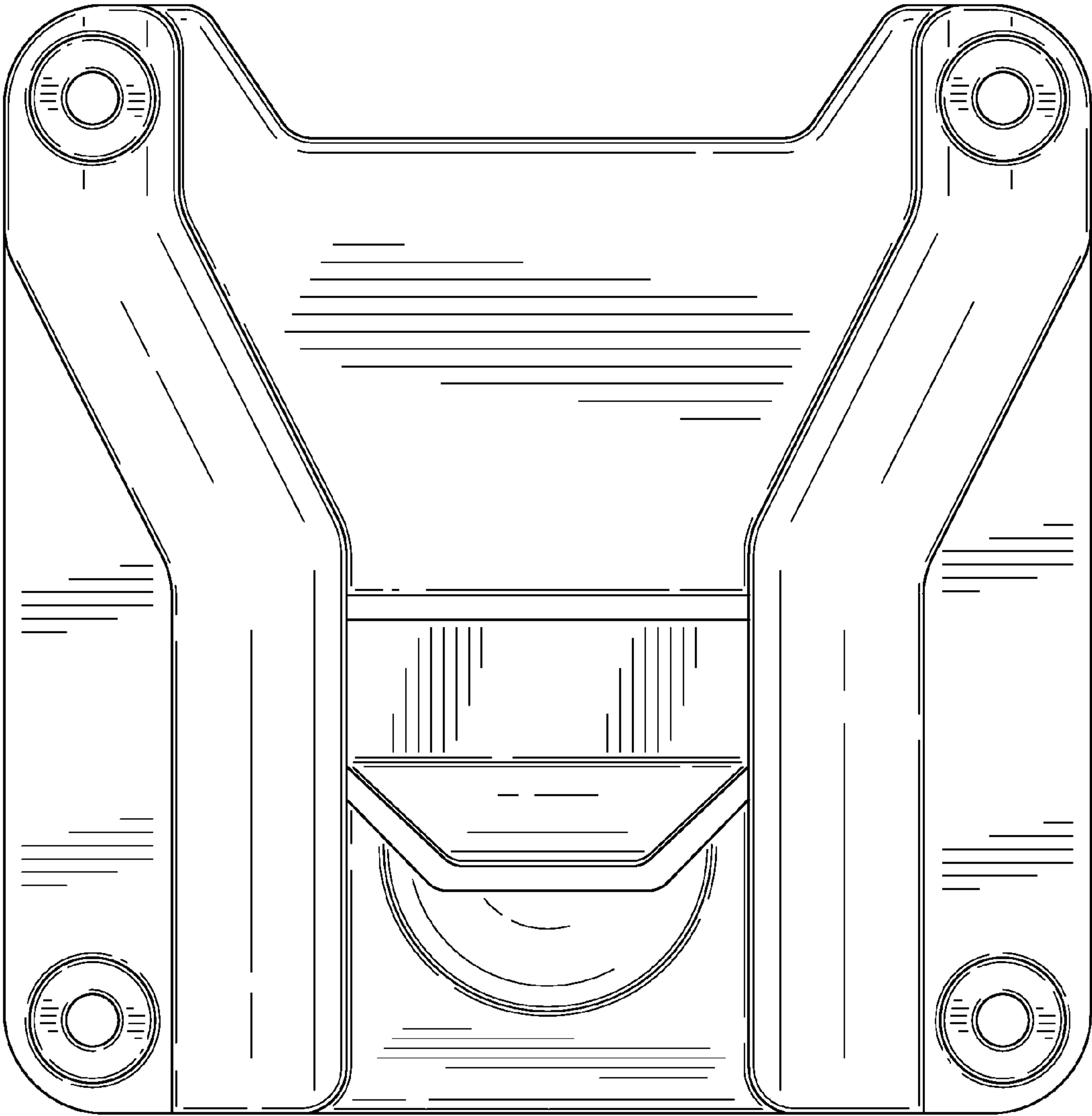


FIG. 2

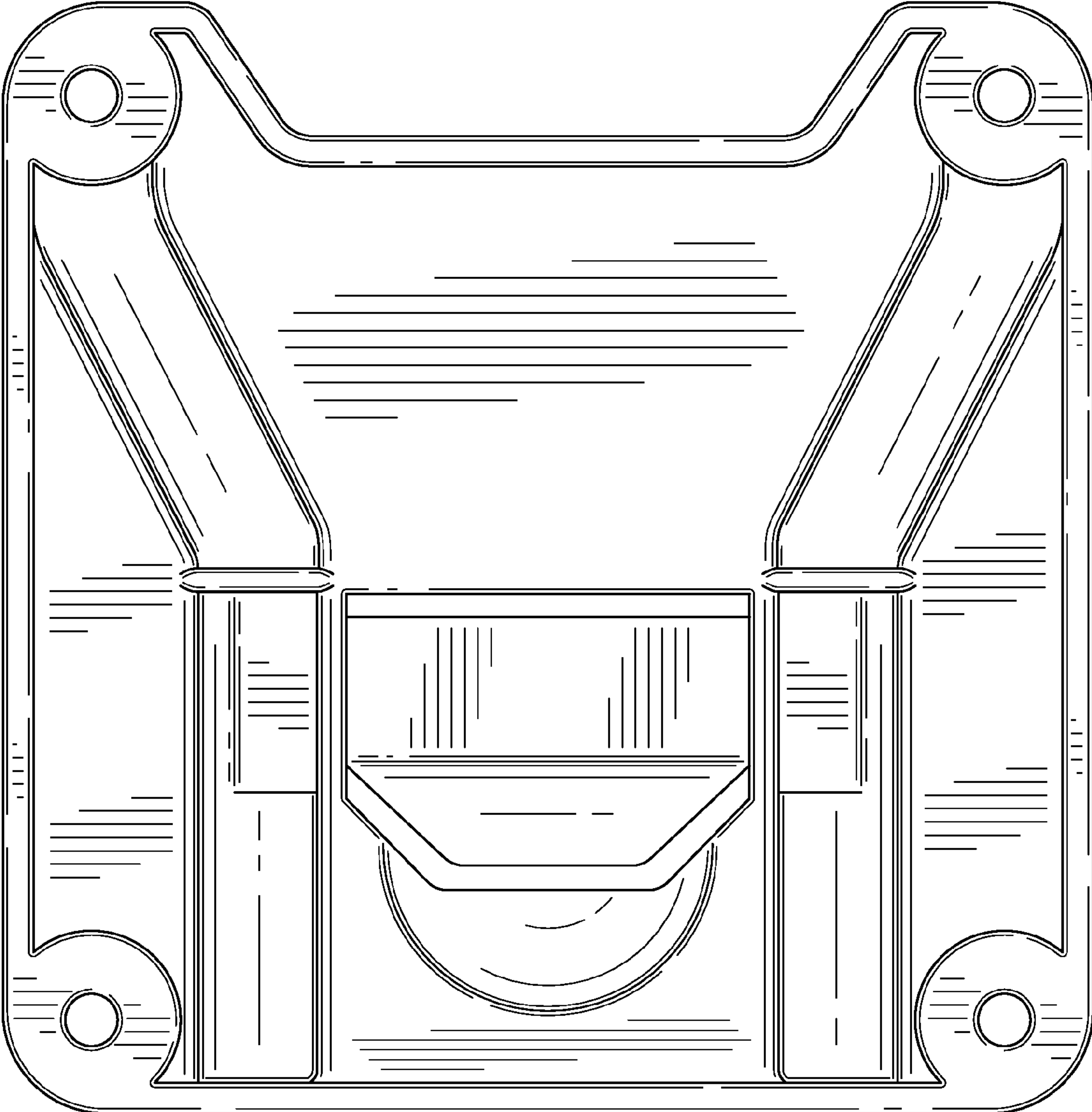


FIG. 3

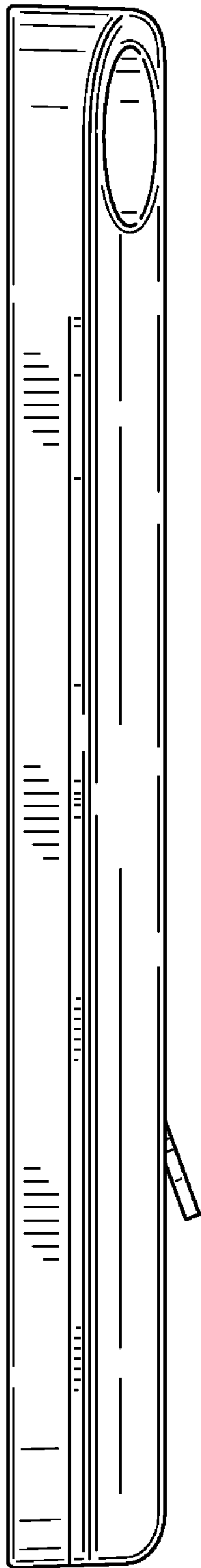


FIG. 4

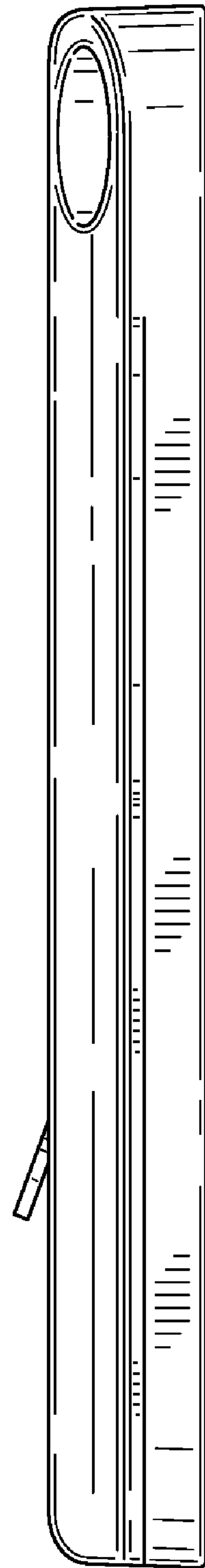


FIG. 5

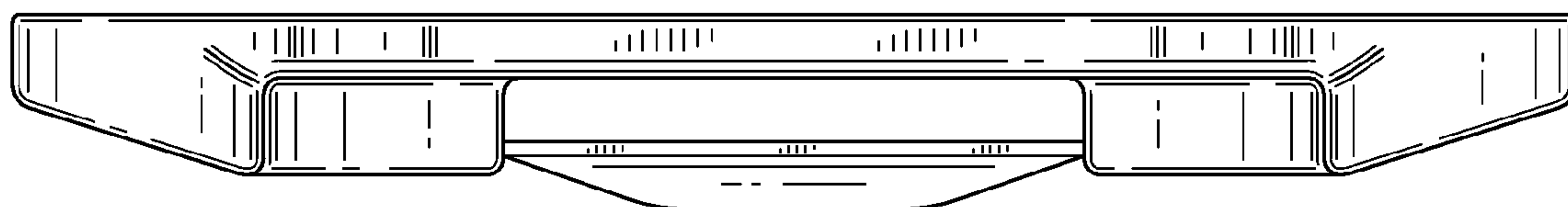


FIG. 6

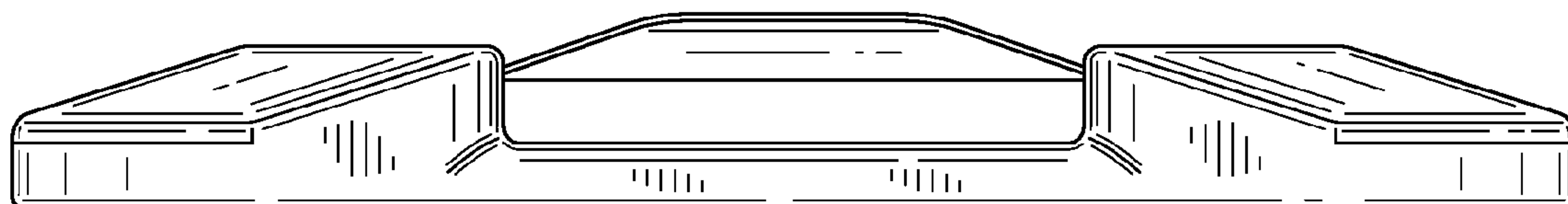


FIG. 7