



US00D603245S

(12) **United States Design Patent**  
**Bucci**

(10) **Patent No.:** **US D603,245 S**

(45) **Date of Patent:** **\*\* Nov. 3, 2009**

(54) **DEVICE FOR SUPPORTING AN OBJECT**

(76) Inventor: **Michael Bucci**, 5720 Oak Mill Ct., Glen Allen, VA (US) 23059

(\*\*) Term: **14 Years**

(21) Appl. No.: **29/334,086**

(22) Filed: **Mar. 20, 2009**

**Related U.S. Application Data**

(63) Continuation-in-part of application No. 29/326,489, filed on Oct. 20, 2008.

(51) **LOC (9) Cl.** ..... **08-06**

(52) **U.S. Cl.** ..... **D8/354**

(58) **Field of Classification Search** ..... D8/349, D8/354, 380, 382, 388, 400, 402, 499; D21/505, D21/803, 373, 388, 396; D11/131, 131.1, D11/157; D25/15, 26; D6/407, 474; 211/41.16; 229/113, 114, 116; 273/153 P, 153 S, 157 R; 446/70, 121, 122, 125; 248/346.01, 546, 248/694, 126, 176.1; 434/211, 403; D10/109; 182/115

See application file for complete search history.

(56) **References Cited**

**U.S. PATENT DOCUMENTS**

1,216,840 A 2/1917 Ramsey  
2,483,734 A 10/1949 Neal

(Continued)

*Primary Examiner*—Holly H Baynham

*Assistant Examiner*—Cynthia M Chin

(74) *Attorney, Agent, or Firm*—Thomas, Raring & Teague, P.C.

(57) **CLAIM**

I claim the ornamental design for a device for supporting an object, as shown and described.

**DESCRIPTION**

FIG. 1 is a perspective view of one embodiment of a device for supporting an object showing the new design;

FIG. 2 is a front elevational view thereof;

FIG. 3 is a rear elevational view thereof;

FIG. 4 is a top view thereof;

FIG. 5 is a bottom view thereof;

FIG. 6 is a perspective view of an alternative embodiment of a device for supporting an object;

FIG. 7 is a right side elevational view thereof;

FIG. 8 is a front elevational view thereof;

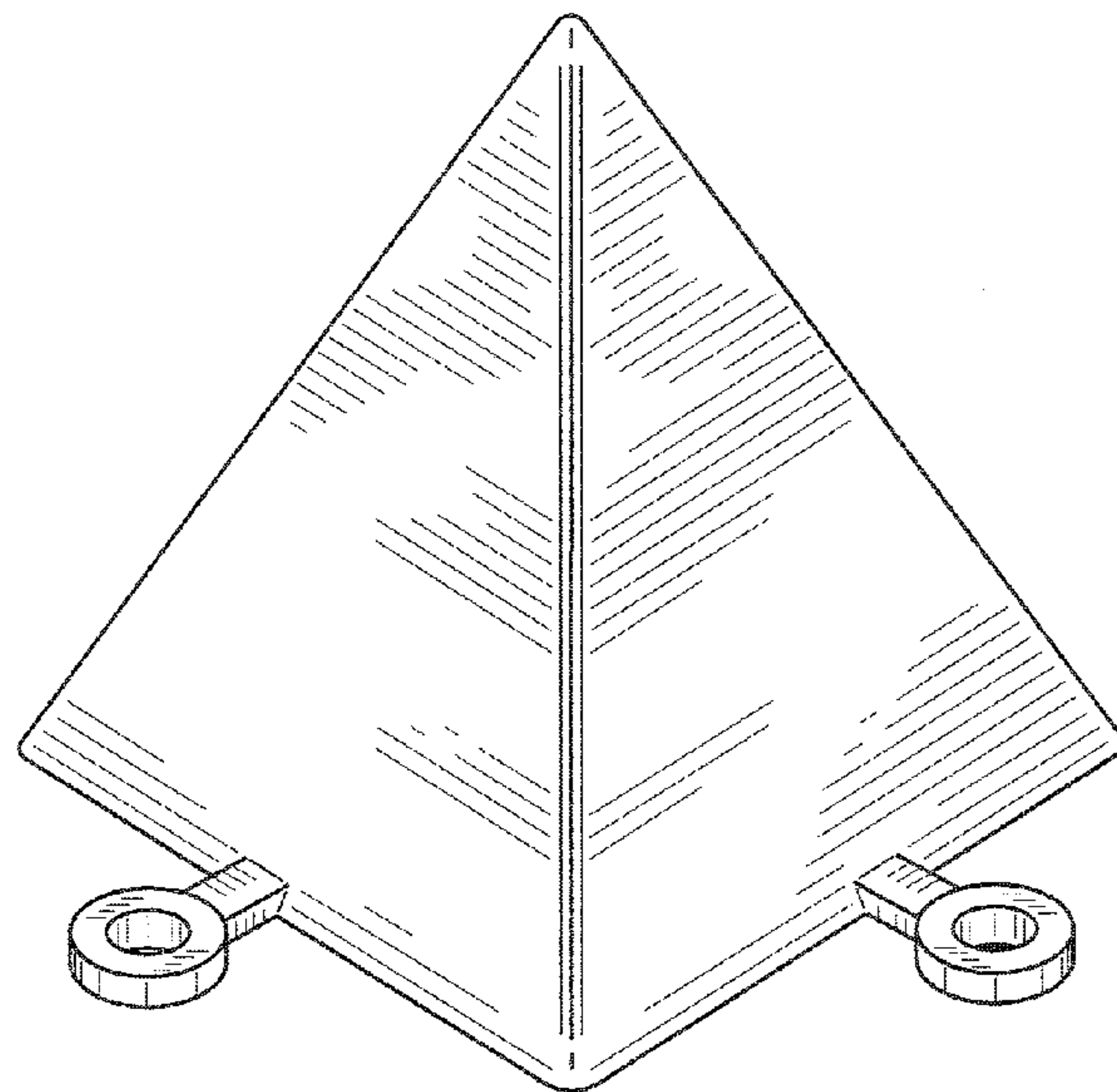
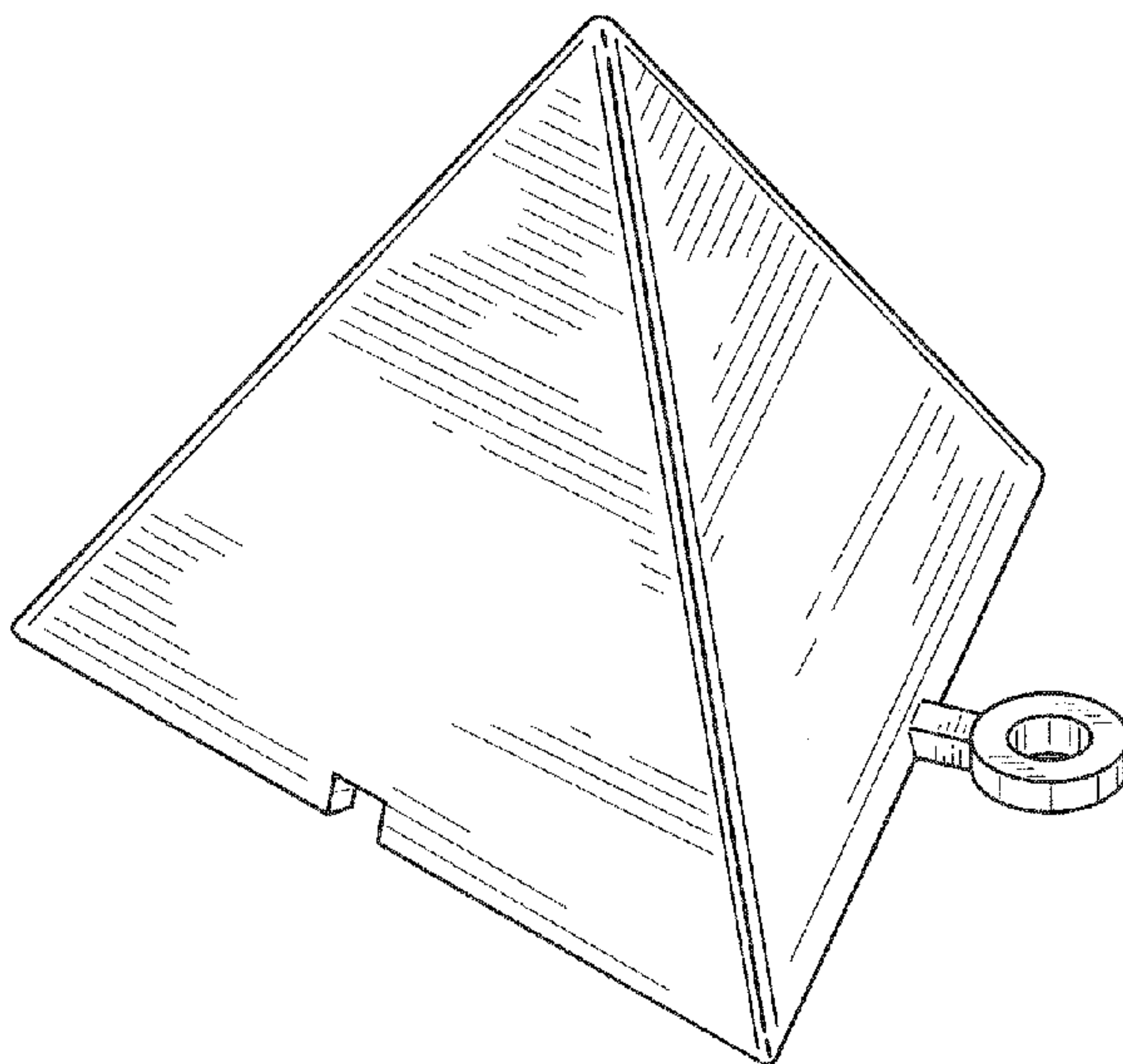
FIG. 9 is a left side elevational view thereof;

FIG. 10 is a rear elevational view thereof;

FIG. 11 is a top view thereof; and,

FIG. 12 is a bottom view thereof.

**1 Claim, 6 Drawing Sheets**



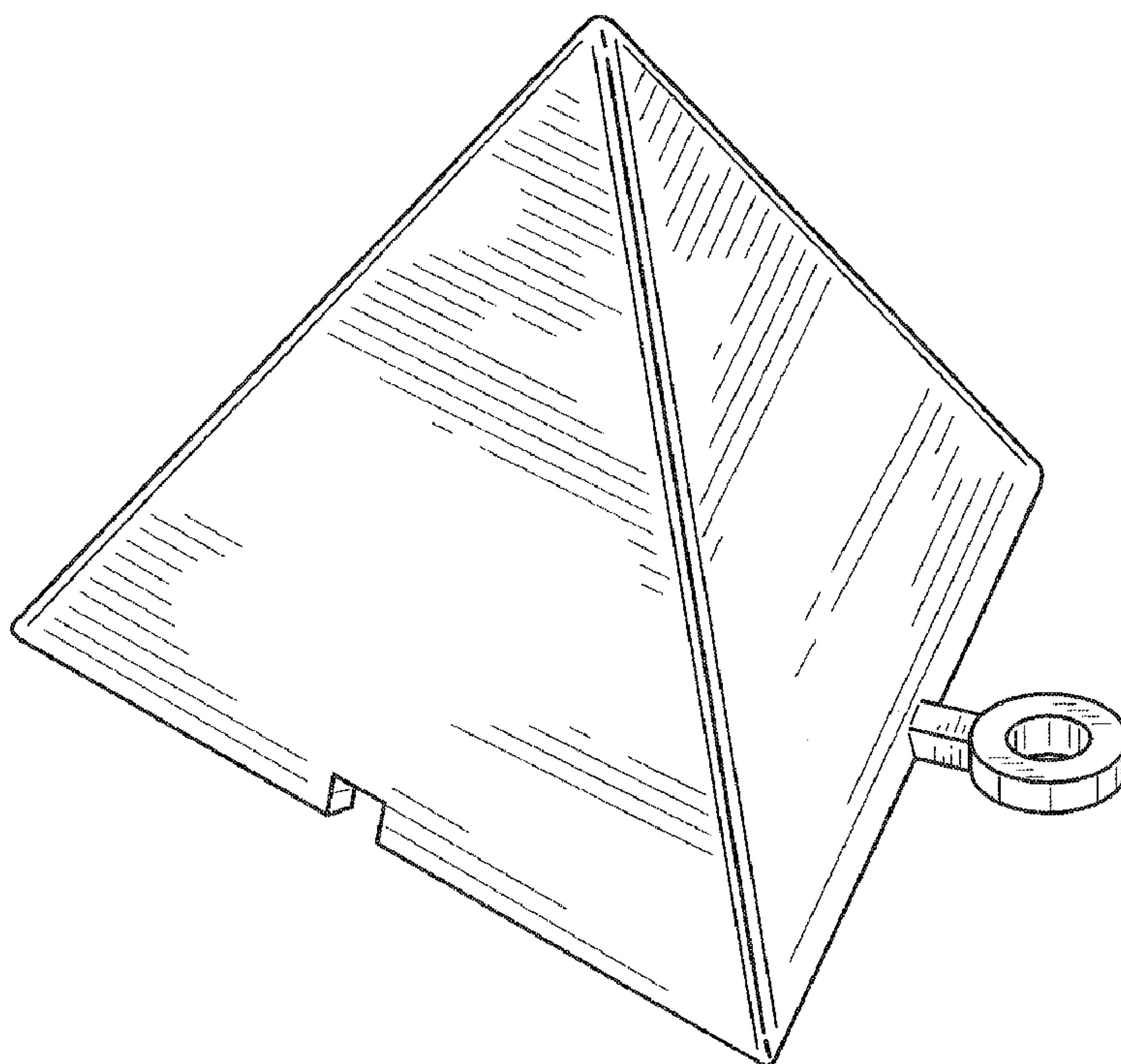
# US D603,245 S

Page 2

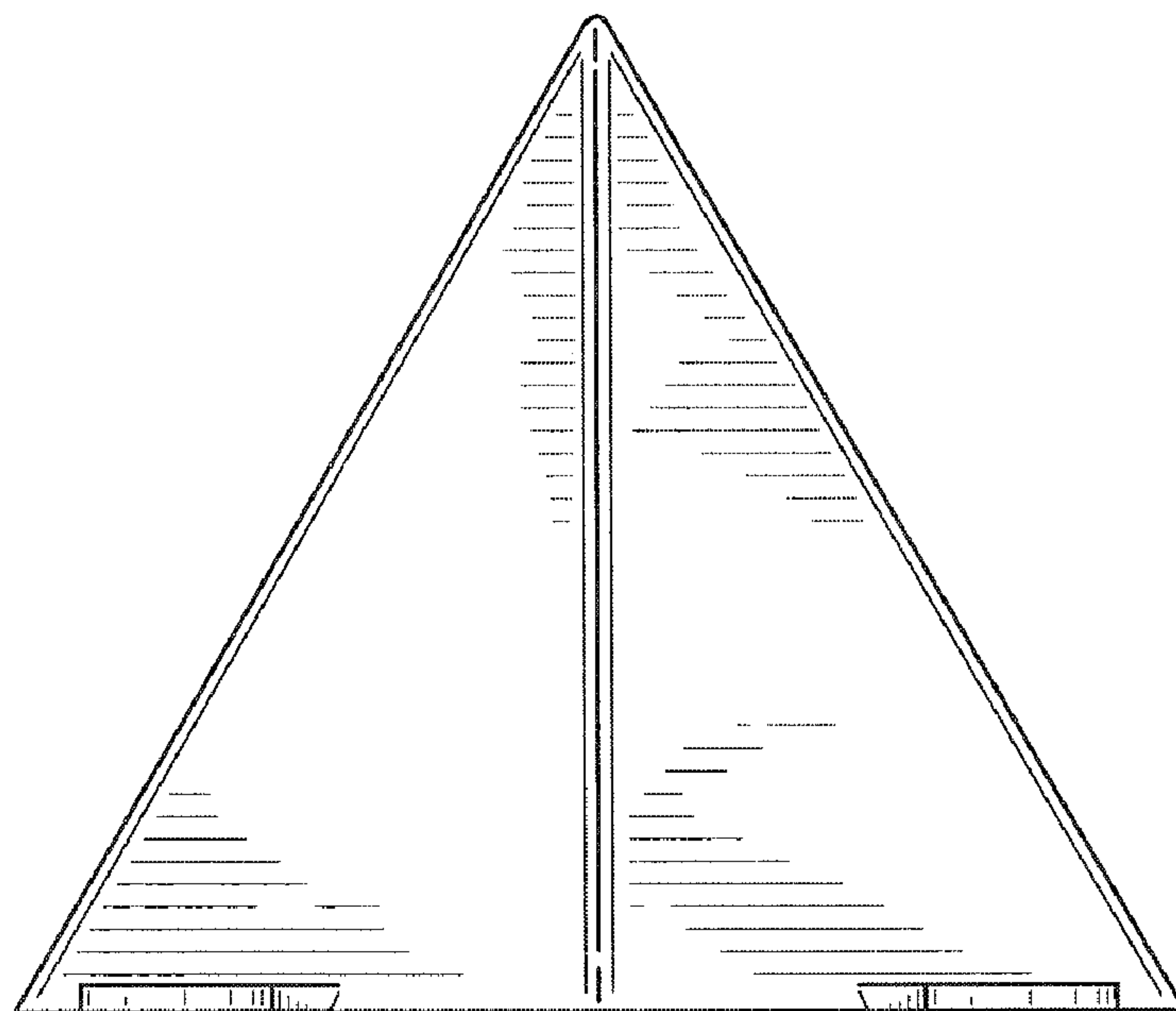
## U.S. PATENT DOCUMENTS

D206,635 S	1/1967	Walter		D315,186 S	3/1991	Peterson	
3,565,442 A	2/1971	Burton		D315,773 S	3/1991	Peterson	
3,608,906 A *	9/1971	Odier .....	273/157 R	D325,615 S *	4/1992	Matsch .....	D21/826
3,659,360 A	5/1972	Zeischegg		5,199,375 A *	4/1993	Johson .....	116/209
3,666,607 A *	5/1972	Weissman .....	428/33	5,297,012 A	3/1994	Fletcher	
3,782,029 A	1/1974	Bardot		D351,623 S *	10/1994	Seiler .....	D21/336
3,800,735 A *	4/1974	Simpson .....	116/63 P	5,354,224 A *	10/1994	Ishiyama .....	446/117
D231,787 S	6/1974	Burnley		5,407,201 A *	4/1995	Whitehurst .....	273/157 R
3,974,611 A *	8/1976	Satterthwaite .....	52/309.9	D367,119 S *	2/1996	Trunk .....	D25/23
D242,640 S	12/1976	Mosher		D367,384 S	2/1996	DiFranco	
4,026,087 A	5/1977	White		5,769,598 A	6/1998	MacNeil	
D245,279 S	8/1977	Hollendonner		D403,981 S	1/1999	Dillard	
D250,174 S	11/1978	Hedgecock		5,895,304 A	4/1999	Dixon	
D261,373 S	10/1981	Fisher		D409,687 S	5/1999	Mak	
D262,901 S *	2/1982	Vukadinovic .....	D21/479	5,947,786 A *	9/1999	Glick .....	446/85
D263,255 S	3/1982	Zima		D417,329 S *	11/1999	Ramadei .....	D99/25
4,317,654 A *	3/1982	Wahl .....	434/211	D445,721 S	7/2001	McLeish et al.	
4,323,245 A *	4/1982	Beaman .....	273/157 R	6,425,646 B1 *	7/2002	Andrews .....	312/114
4,345,761 A *	8/1982	China .....	273/146	D482,111 S *	11/2003	Laferriere et al. ....	D23/364
4,354,288 A	10/1982	Dennis		D483,200 S	12/2003	Udommahuntisuk	
D267,588 S	1/1983	Goodell		6,976,768 B2 *	12/2005	Hewson .....	362/247
D272,841 S *	2/1984	Matsumoto .....	D21/478	D514,971 S	2/2006	Burch et al.	
4,461,480 A	7/1984	Mitchell		7,047,681 B2	5/2006	Perelli et al.	
D275,889 S	10/1984	Nelson		D522,348 S	6/2006	Hansen	
4,558,866 A *	12/1985	Alford .....	273/153 S	D551,116 S	9/2007	Devory	
4,848,263 A	7/1989	Grimm		D574,293 S	8/2008	Devory	
4,934,701 A *	6/1990	Ting .....	273/157 R	D574,440 S	8/2008	Goodrich	
D314,018 S	1/1991	Rosenthal		2005/0014112 A1	1/2005	Fentress	

\* cited by examiner

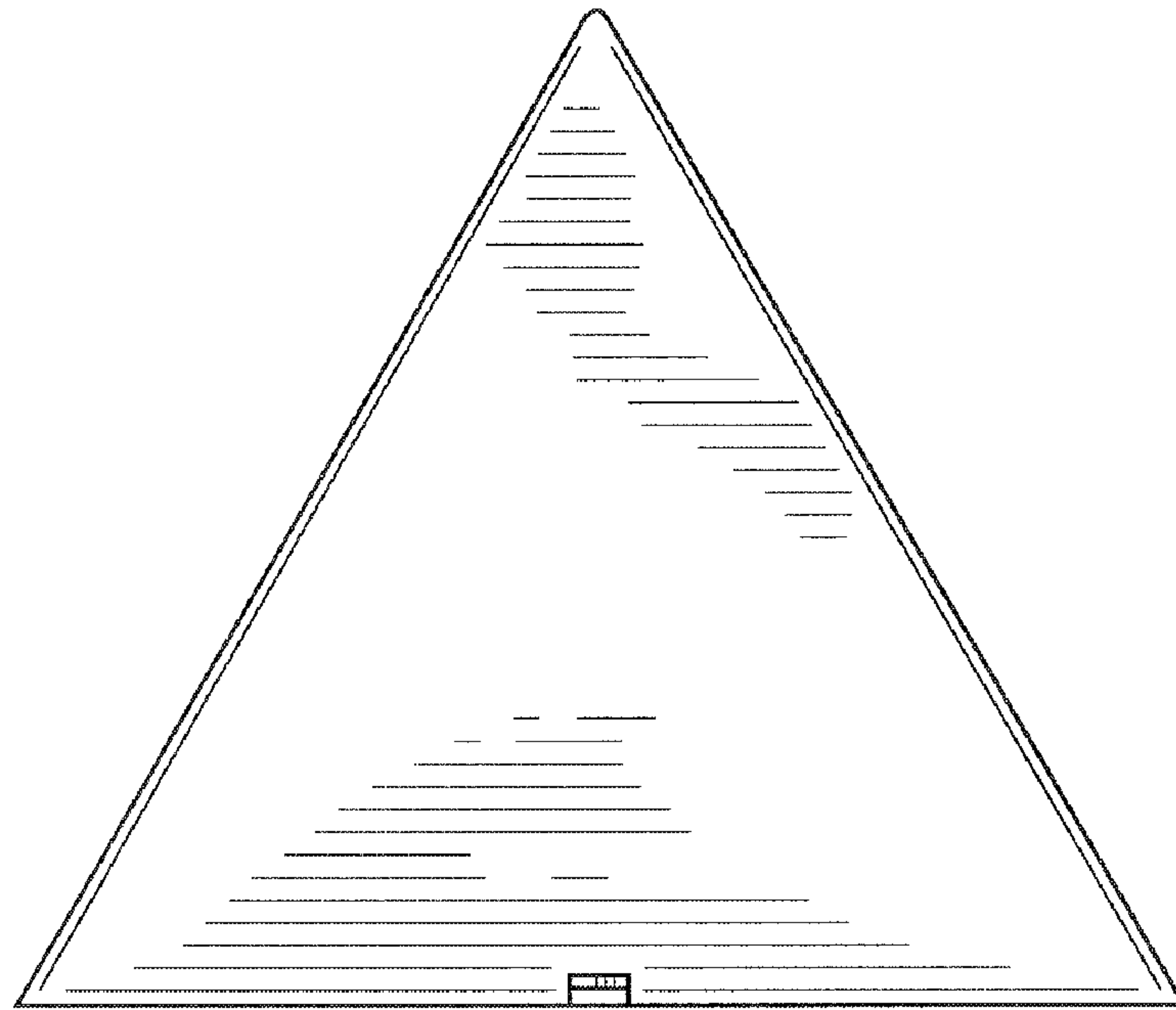


**FIG. 1**

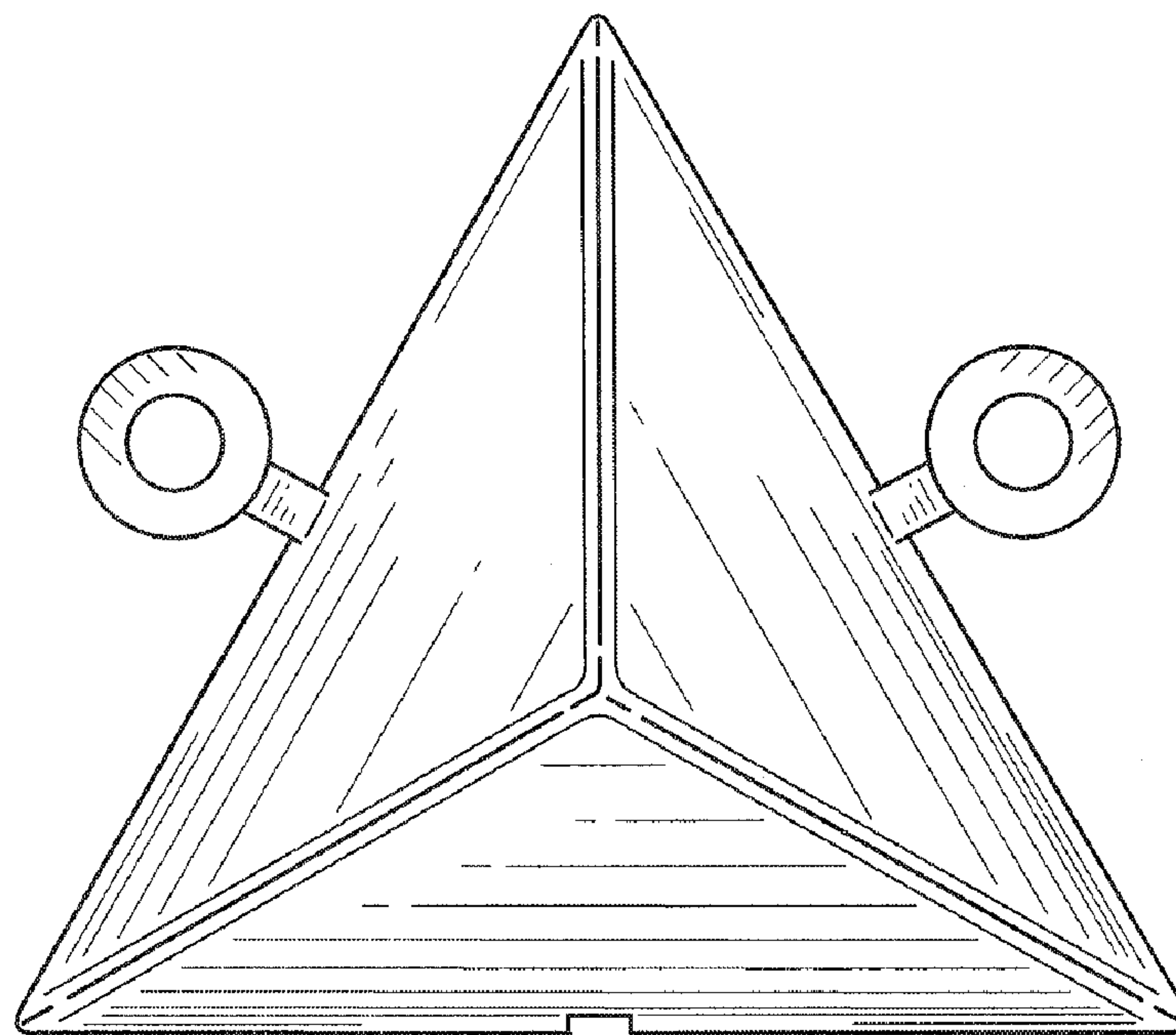


**FIG. 2**

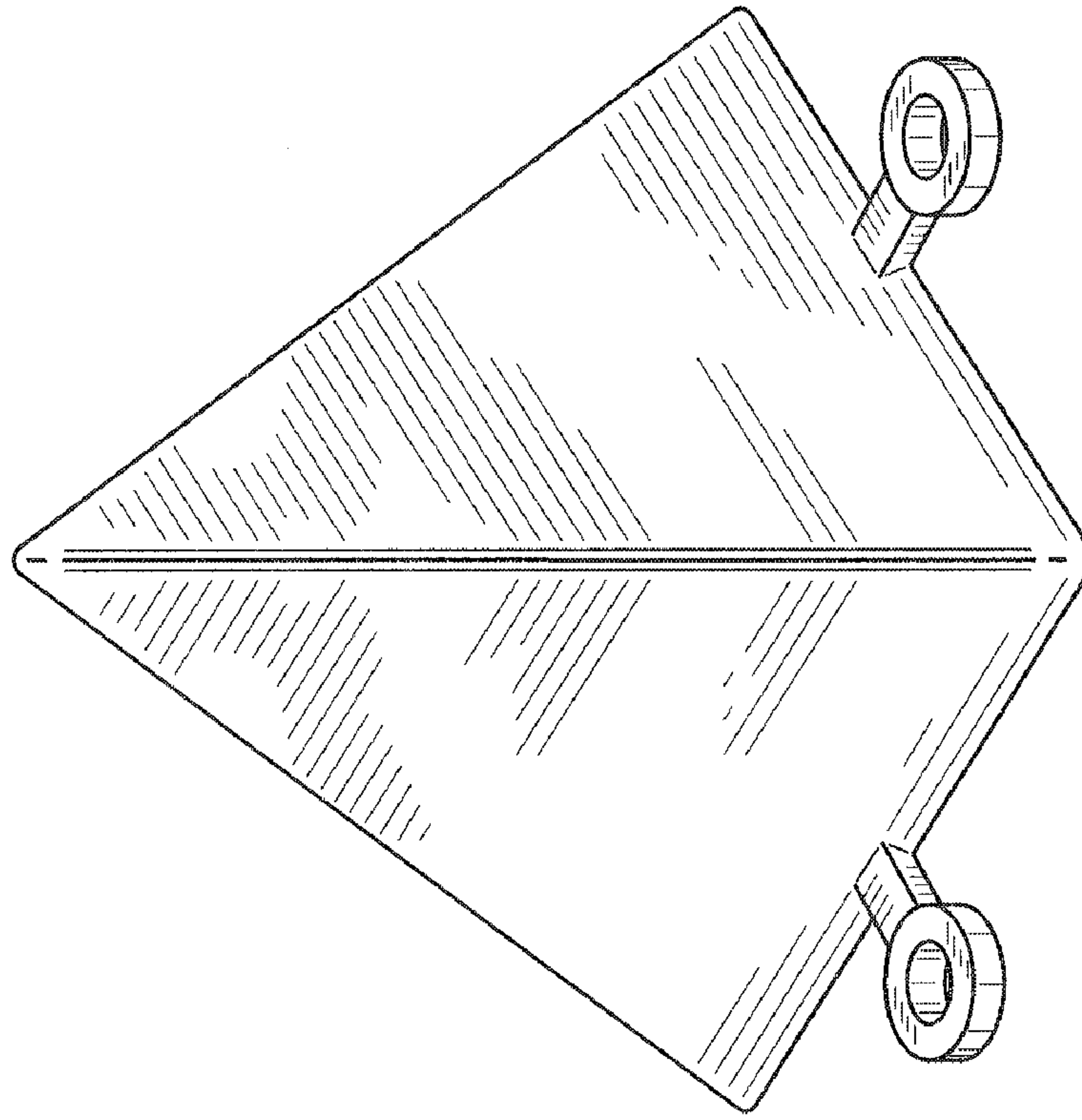




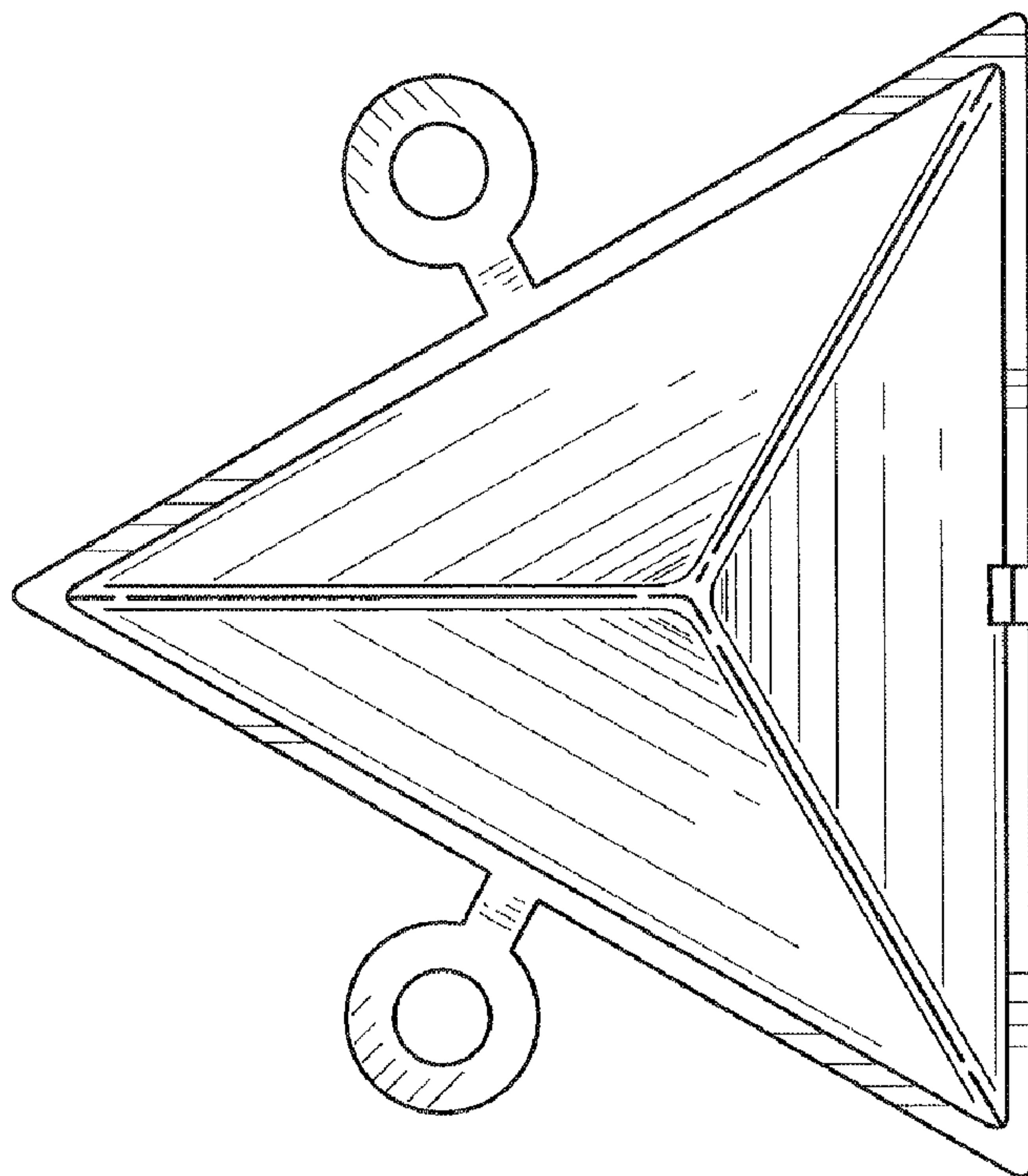
**FIG. 3**



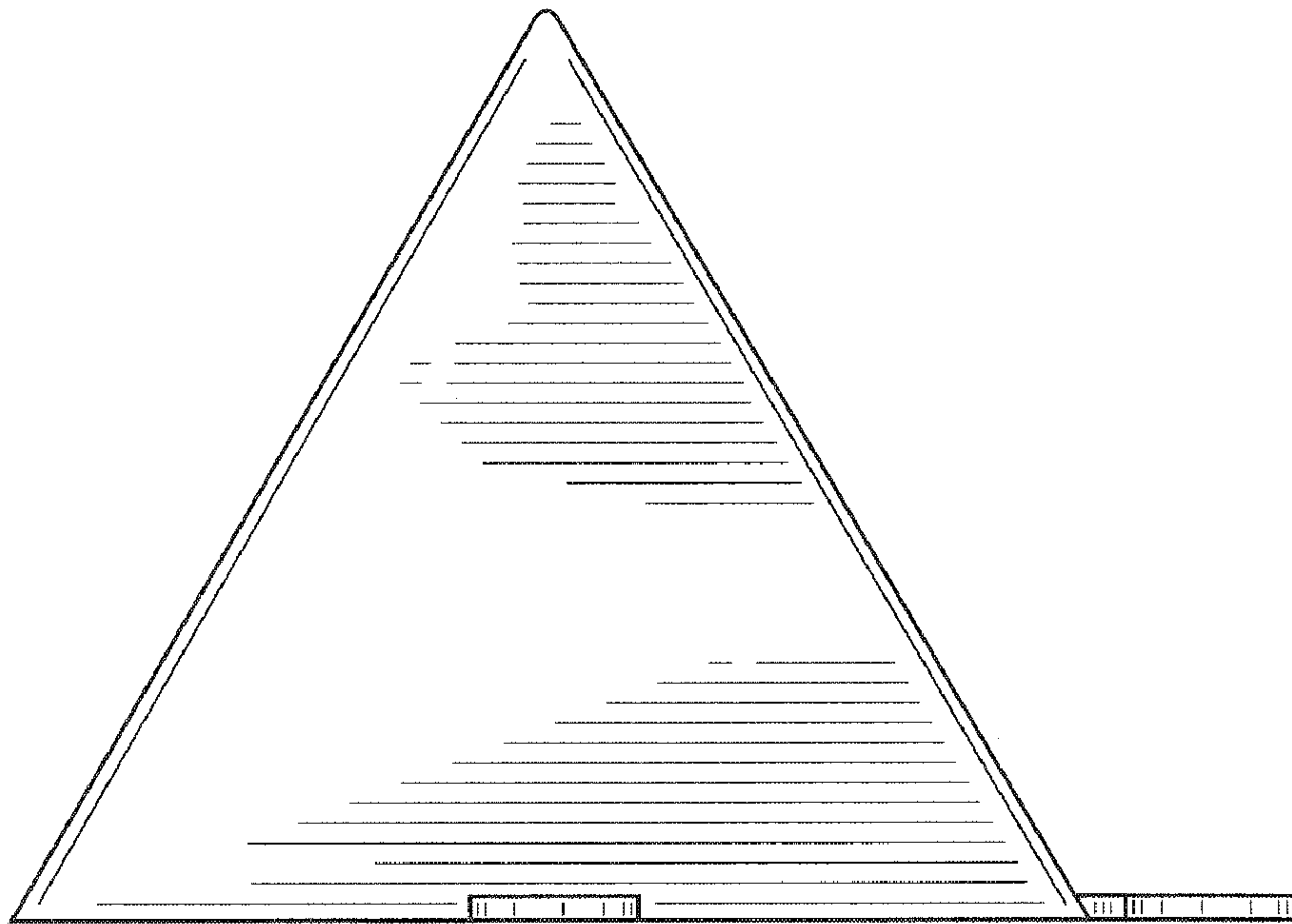
**FIG. 4**



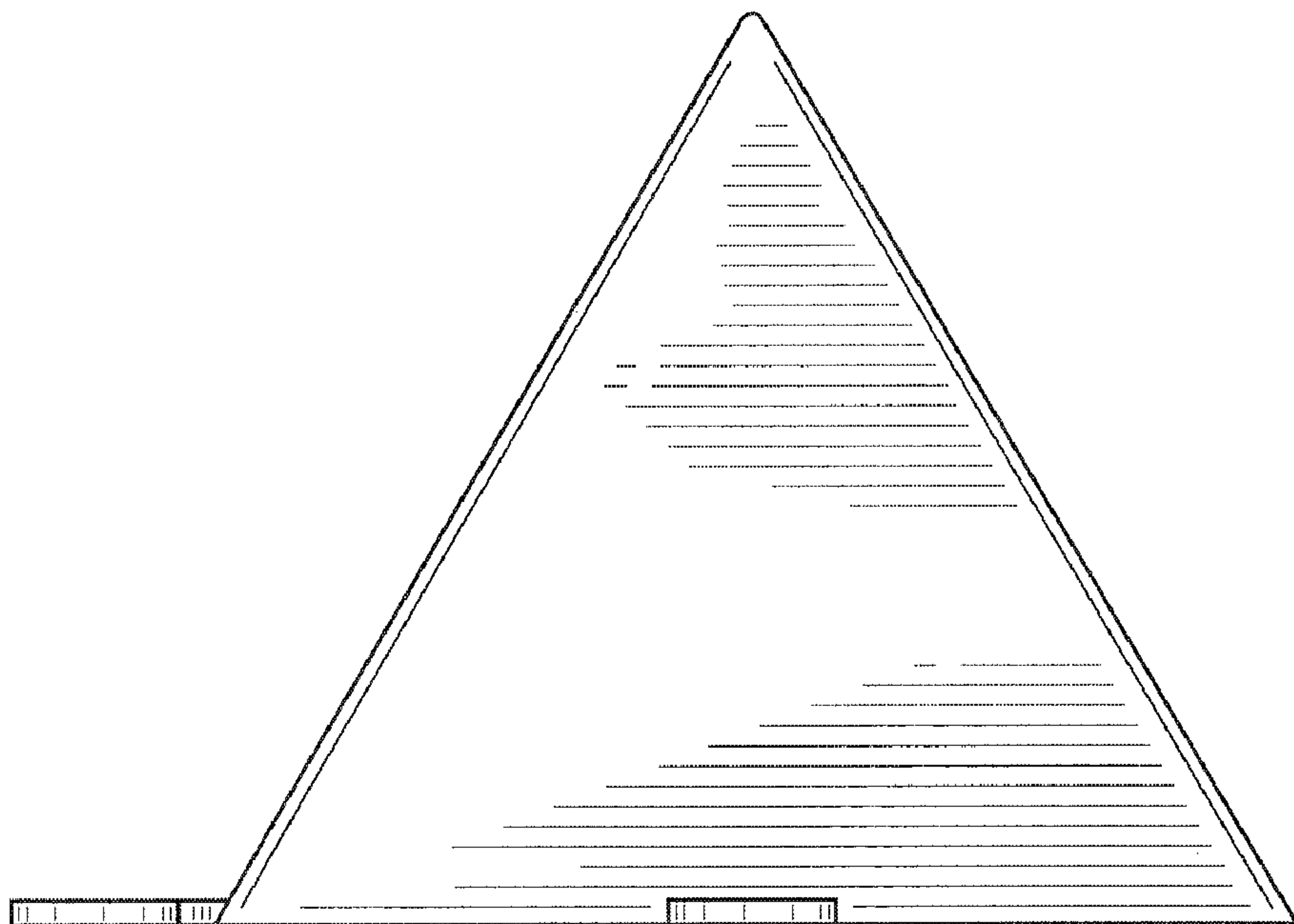
**FIG. 6**



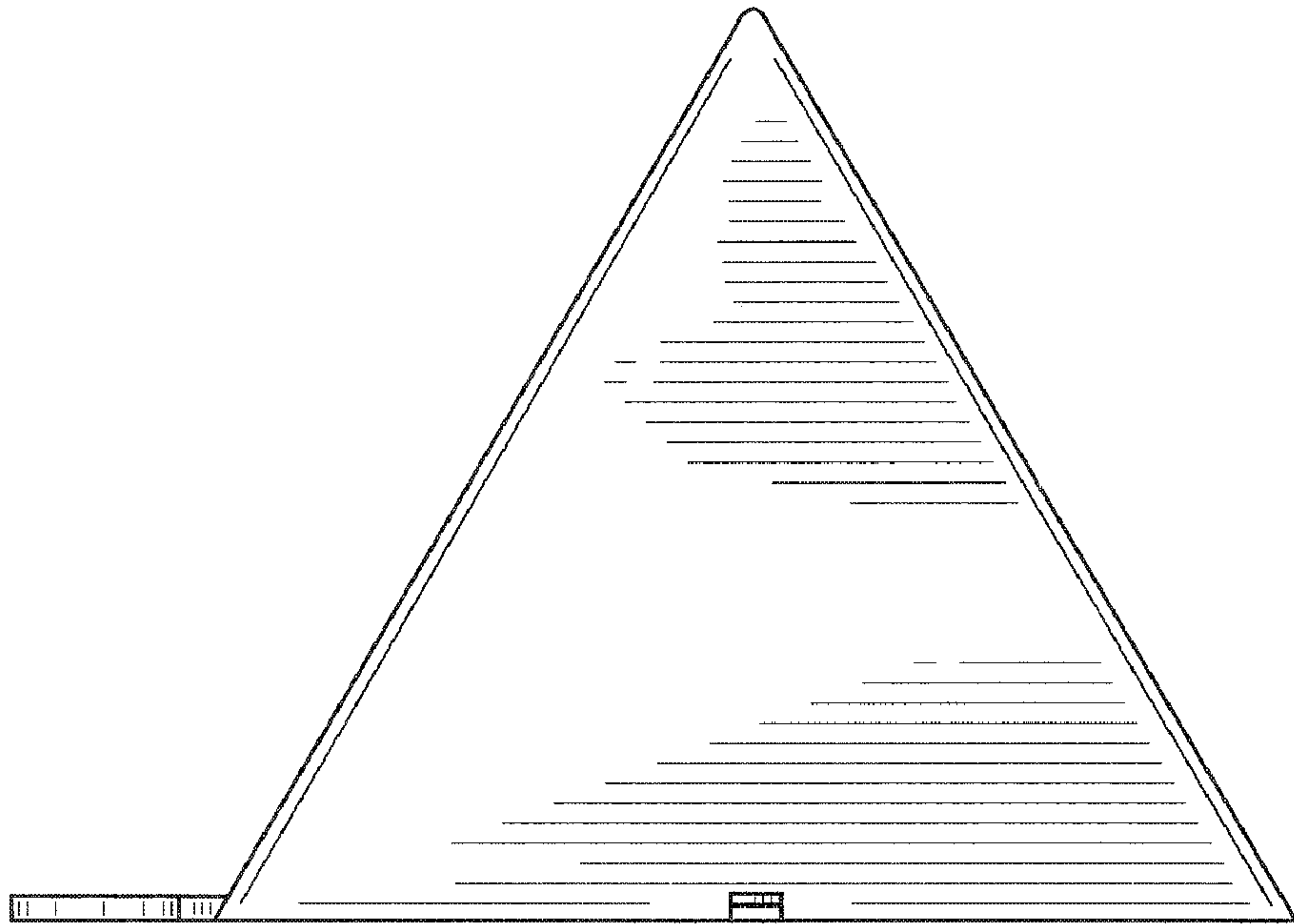
**FIG. 5**



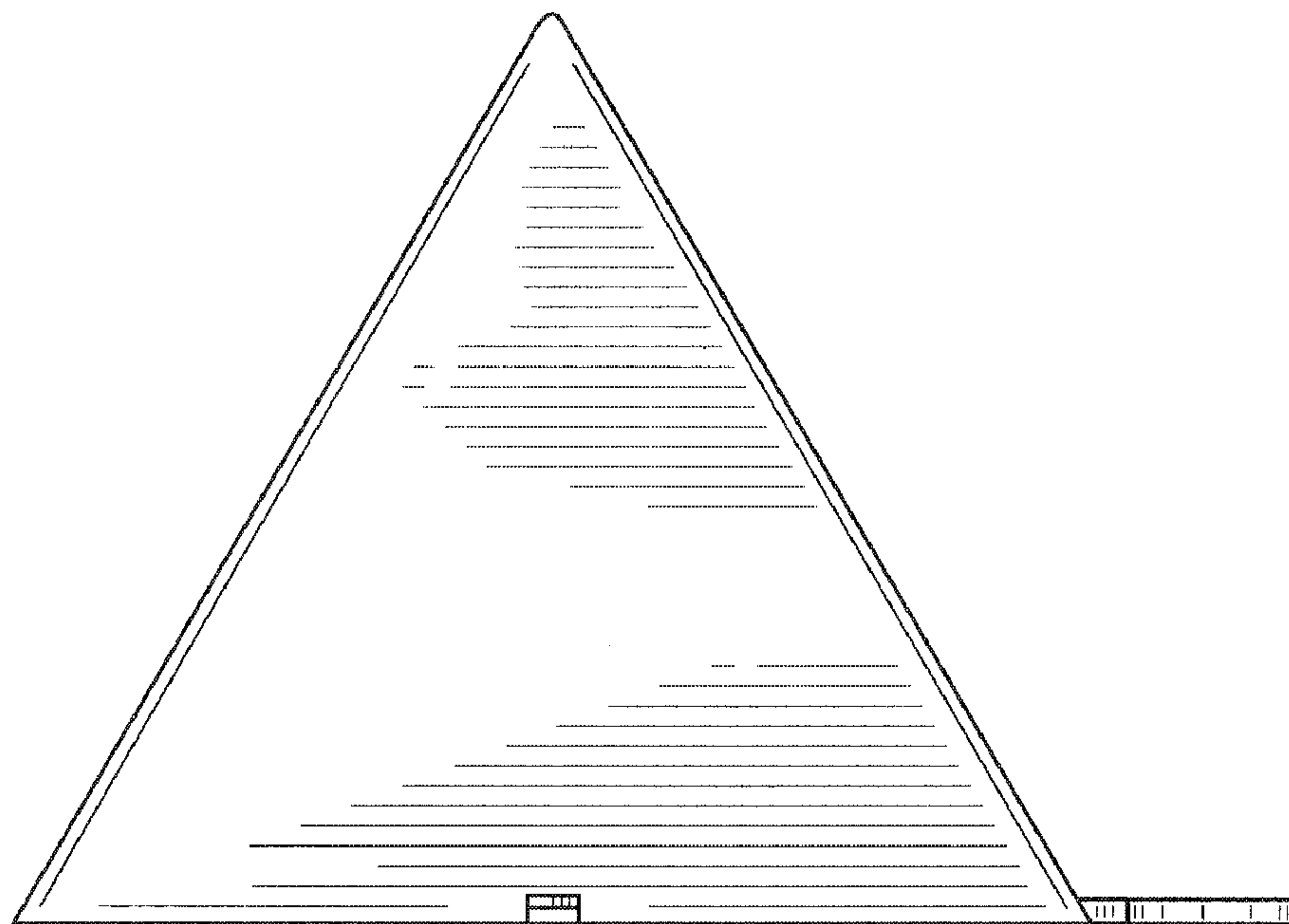
**FIG. 7**



**FIG. 8**

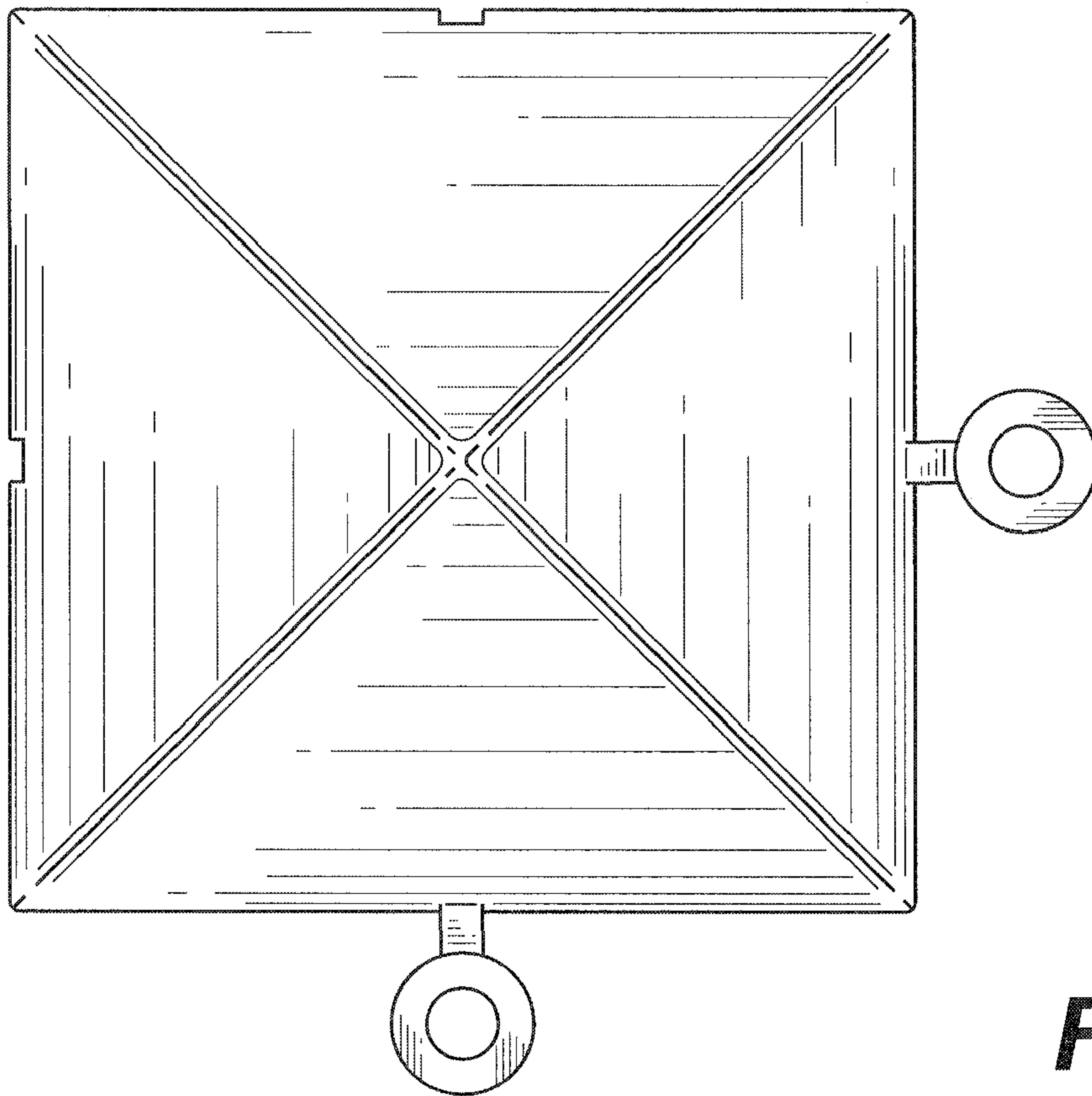


**FIG. 9**

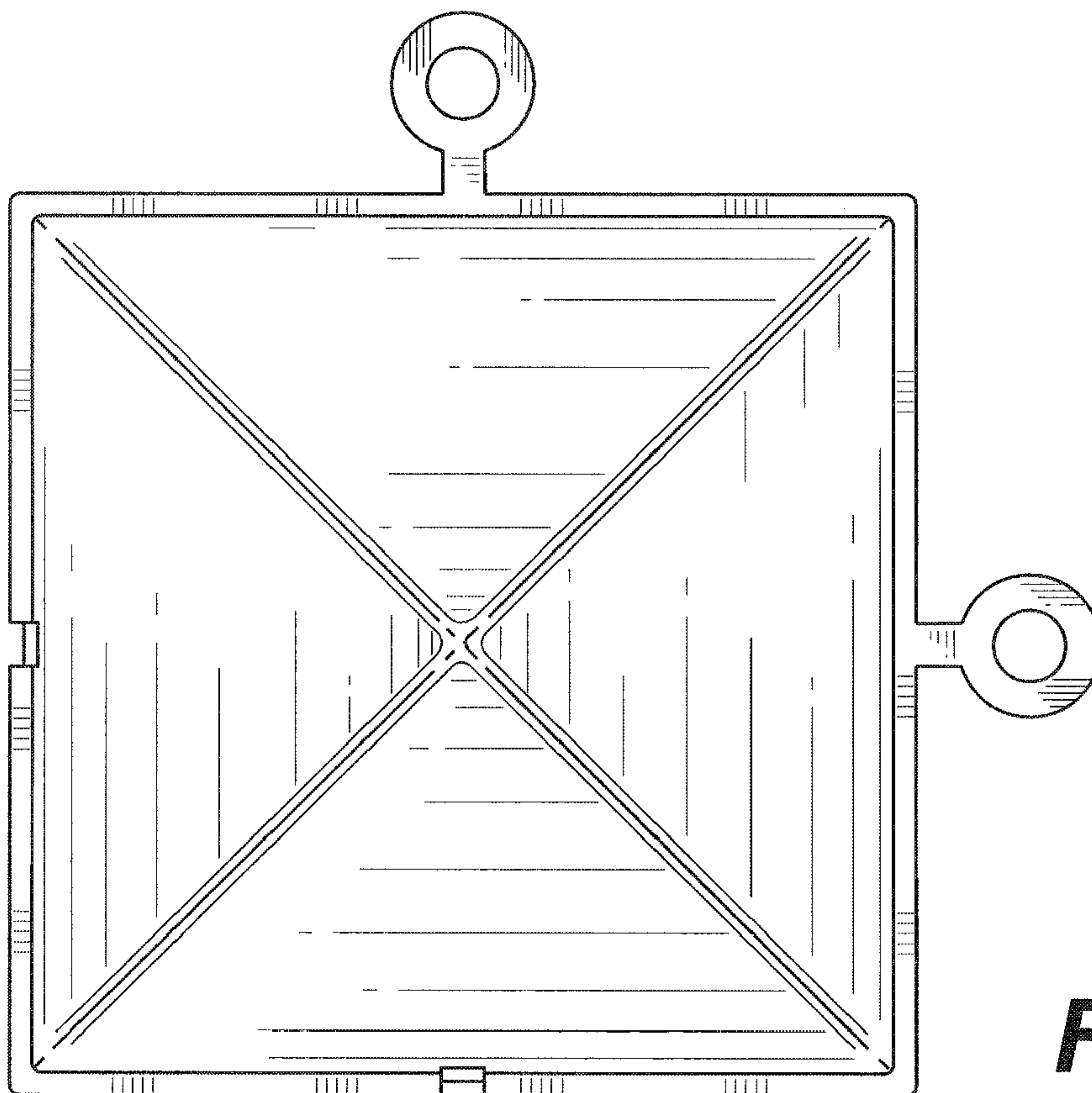


**FIG. 10**





**FIG. 11**



**FIG. 12**