



US00D603241S

(12) **United States Design Patent**
Pearce

(10) **Patent No.:** **US D603,241 S**

(45) **Date of Patent:** **** Nov. 3, 2009**

(54) **EXTRUSION TOOL HANDLE**

(76) **Inventor:** **Dennis R. Pearce**, 46 S. Lawson Rd.,
Poquoson, VA (US) 23662

(**) **Term:** **14 Years**

(21) **Appl. No.:** **29/313,448**

(22) **Filed:** **Jan. 8, 2009**

(51) **LOC (9) Cl.** **08-05**

(52) **U.S. Cl.** **D8/107**

(58) **Field of Classification Search** D8/14,
D8/14.1, 21, 25, 27, 28, 29, 45, 51, 61-70,
D8/82-87, 107, 300, 313, DIG. 1; D7/393-395,
D7/649; D15/17, 18; D32/46; 16/110.1,
16/111.1, 422, 430-431, 11 R, 111 R, 114,
16/116, 421, 436; 81/177.1-177.7, 177.85,
81/489, 20, 439-440, 180.1, 436, 57.11,
81/429, 464, 465, 466, 469; 7/151; 15/235.4,
15/235.6, 235.8; 294/55; 173/13, 169, 178,
173/213, 217; 227/8, 114, 120, 130, 136,
227/142; 310/50; 408/20, 124, 125, 234,
408/241 R; 451/358; D25/119-125
See application file for complete search history.

(56) **References Cited**

U.S. PATENT DOCUMENTS

57,890 A * 9/1866 Gilson 44/530
D204,889 S * 5/1966 Ginher D8/377
D333,900 S * 3/1993 Kinnamon et al. D34/27

5,899,210 A * 5/1999 Letherby et al. 132/76.4
5,935,628 A * 8/1999 Hauser et al. 426/143
6,099,203 A * 8/2000 Landes 404/10
D453,463 S * 2/2002 Chang D8/107
D467,934 S * 12/2002 Smyth et al. D14/478
D495,934 S * 9/2004 Lin D8/10
D503,645 S * 4/2005 Wirth et al. D10/114
D532,583 S * 11/2006 Townsend et al. D1/122
D558,444 S * 1/2008 Ma D3/6
D593,277 S * 6/2009 Wylie D1/199

* cited by examiner

Primary Examiner—Cathron C Brooks

Assistant Examiner—Barbara Fox

(74) *Attorney, Agent, or Firm*—William G. Sykes

(57) **CLAIM**

The ornamental design for a extrusion tool handle, as shown and described.

DESCRIPTION

FIG. 1 is a front perspective view of an extrusion tool handle of my new design;

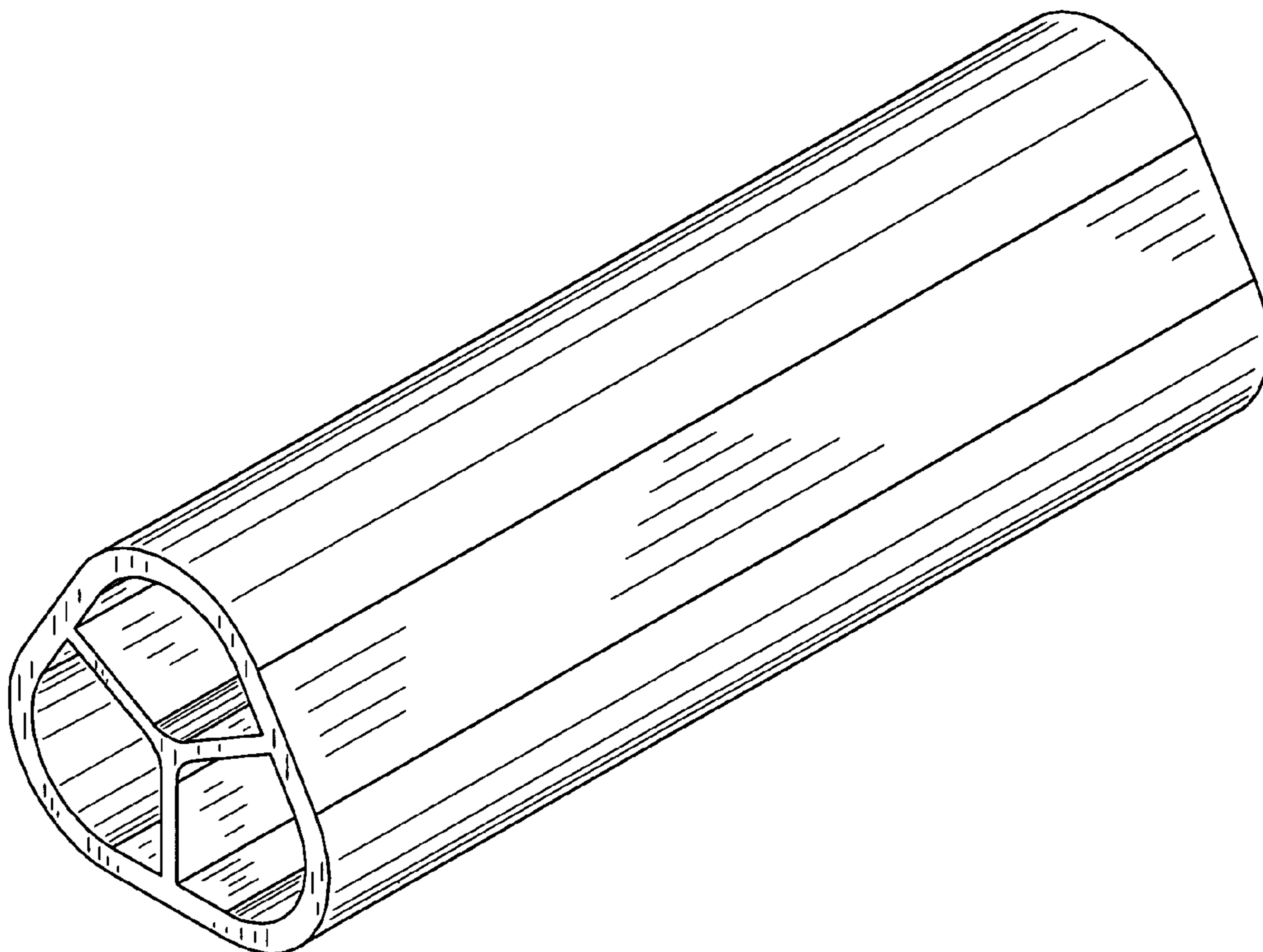
FIG. 2 is a front view thereof, the back view being identical;

FIG. 3 is a top view thereof;

FIG. 4 is bottom view thereof; and,

FIG. 5 is a right side view thereof, the left side view being identical.

1 Claim, 5 Drawing Sheets



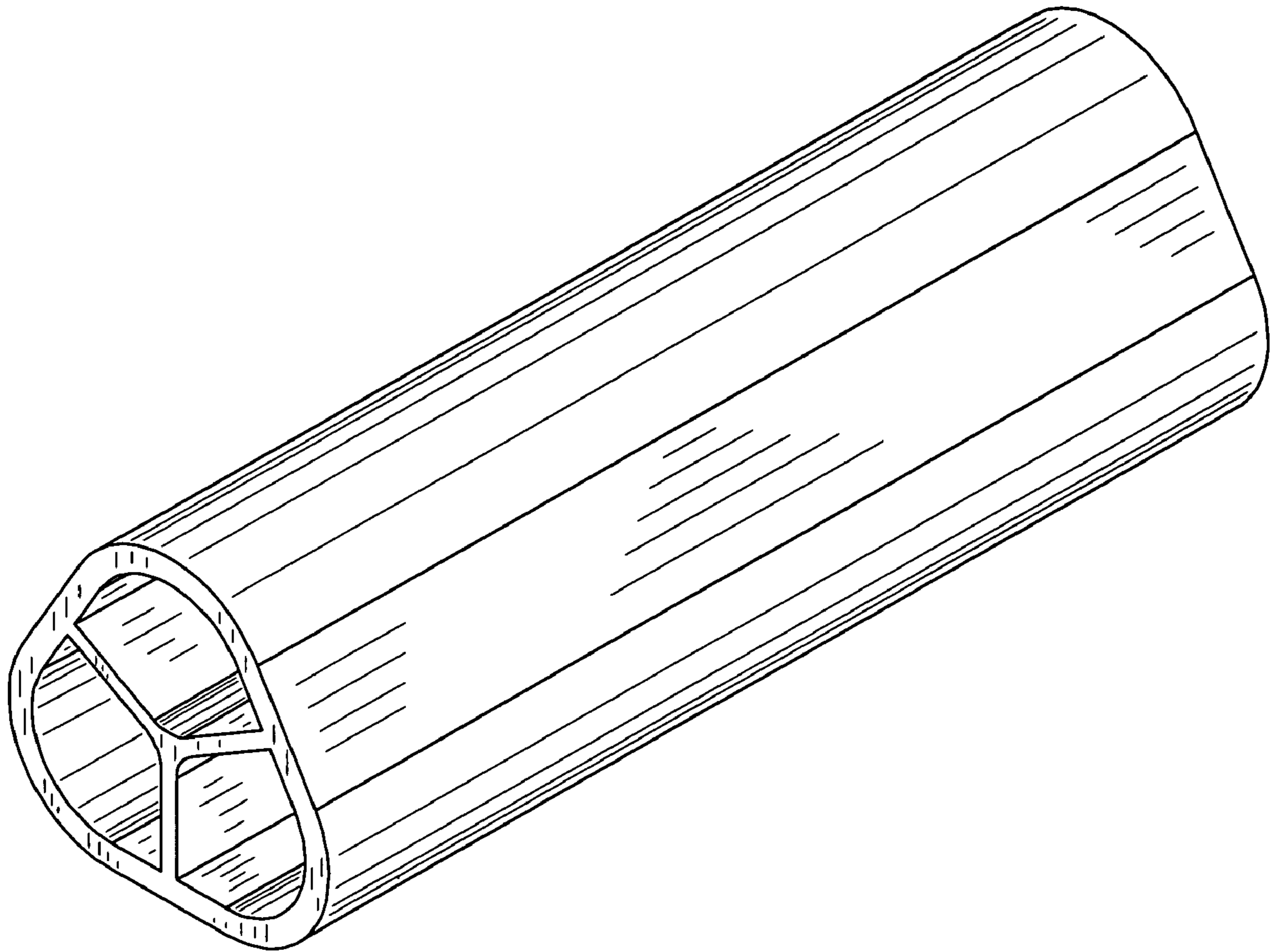


Fig. 1

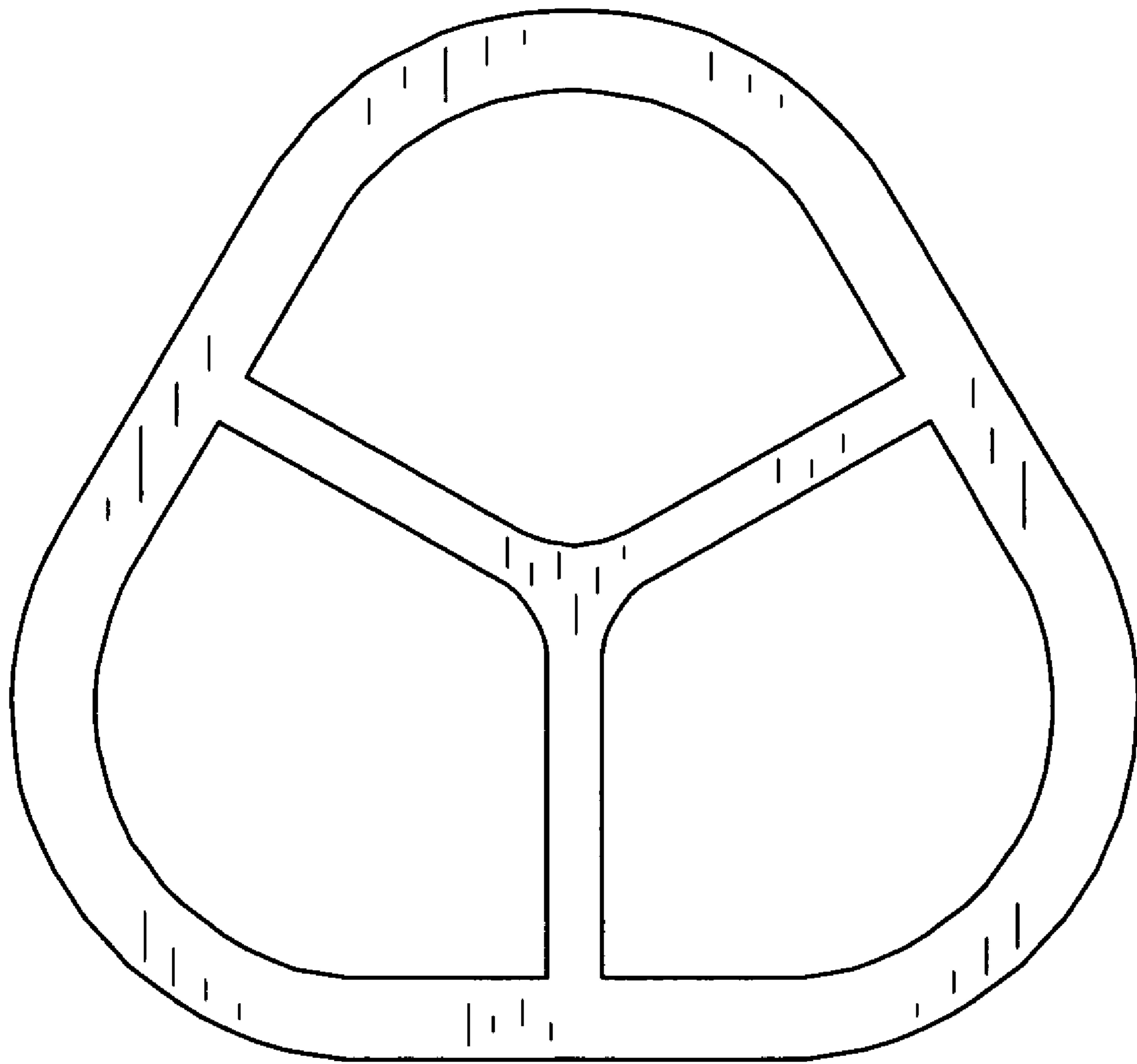


Fig. 2

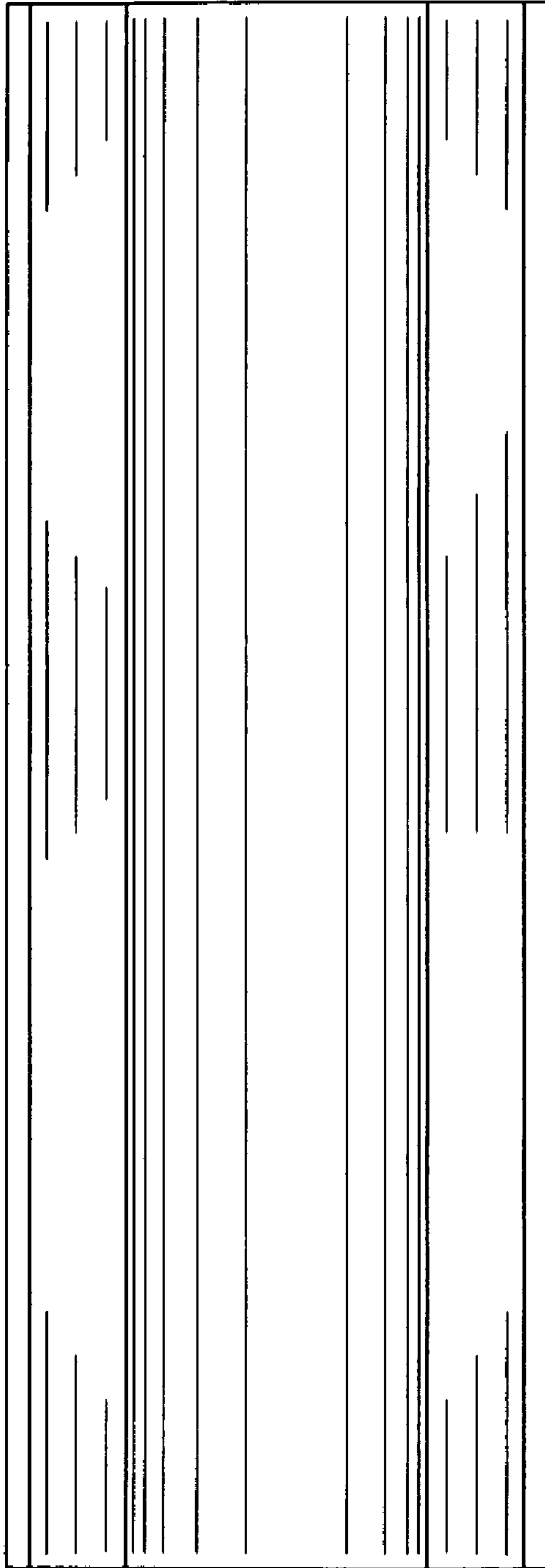


Fig. 3

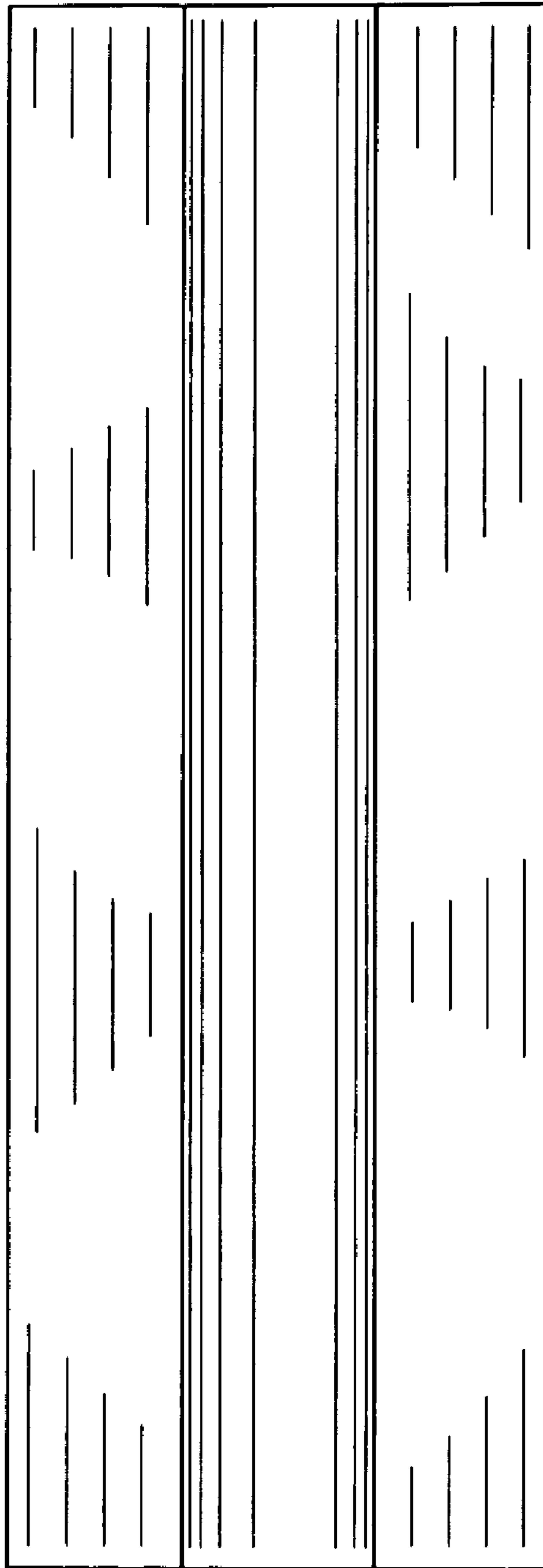


Fig. 4

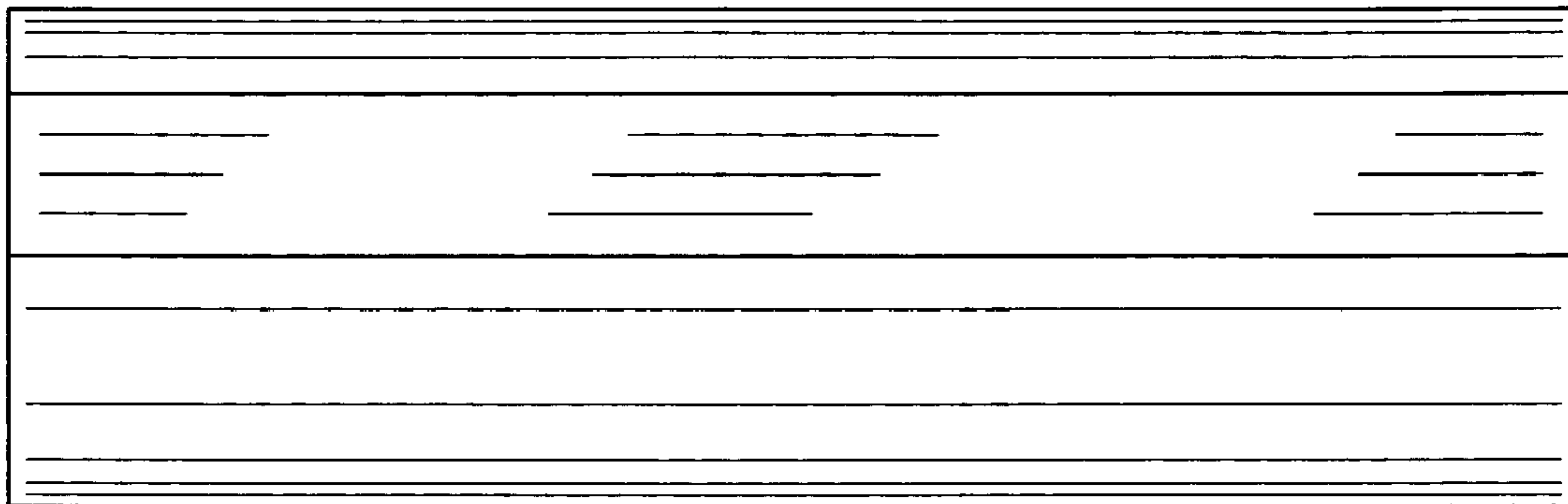


Fig. 5