



US00D603240S

(12) **United States Design Patent**
Kunzendorf

(10) **Patent No.:** **US D603,240 S**

(45) **Date of Patent:** **** Nov. 3, 2009**

(54) **MULTITOOL WITH BUILT-IN FLASHLIGHT**

(75) Inventor: **Andre Kunzendorf**, Wuppertal (DE)

(73) Assignee: **Zweibruder Optoelectronics GmbH**, Solingen (DE)

(**) Term: **14 Years**

(21) Appl. No.: **29/330,047**

(22) Filed: **Dec. 29, 2008**

(30) **Foreign Application Priority Data**

Oct. 30, 2008 (EM) 001030753

(51) **LOC (9) Cl.** **08-05**

(52) **U.S. Cl.** **D8/105**; D26/38

(58) **Field of Classification Search** D8/99,
D8/58, 55, 52, 356, 107, 105, 21, 71, 14,
D8/29; D19/65; 81/440, 427.5, 177.4, 490;
7/160, 138, 128, 118; 30/298.4, 162, 161,
30/155; 206/377, 375, 374

See application file for complete search history.

(56) **References Cited**

U.S. PATENT DOCUMENTS

5,581,834 A * 12/1996 Collins 7/118
5,727,319 A * 3/1998 Myerchin et al. 30/123
6,223,372 B1 * 5/2001 Barber 7/118
D480,492 S * 10/2003 Wu D26/38
D481,289 S * 10/2003 Dallas D8/105
D484,770 S * 1/2004 Green D8/99

D513,579 S * 1/2006 Barber et al. D8/105
7,000,323 B1 * 2/2006 Hatcher et al. 30/155
7,126,484 B1 * 10/2006 Luquire 340/574
D551,788 S * 9/2007 Bao D26/38
D558,022 S * 12/2007 McLean et al. D8/99
D562,383 S * 2/2008 Stokes D19/36
D564,387 S * 3/2008 Rubin et al. D10/104
D576,002 S * 9/2008 Barber et al. D8/22
D584,437 S * 1/2009 Barber et al. D26/37

* cited by examiner

Primary Examiner—Cathron C Brooks

Assistant Examiner—Austin Murphy

(74) *Attorney, Agent, or Firm*—Andrew Wilford

(57) **CLAIM**

The ornamental design for a multitool with built-in flashlight, as shown and described.

DESCRIPTION

FIG. 1 is a perspective front view of the invention;

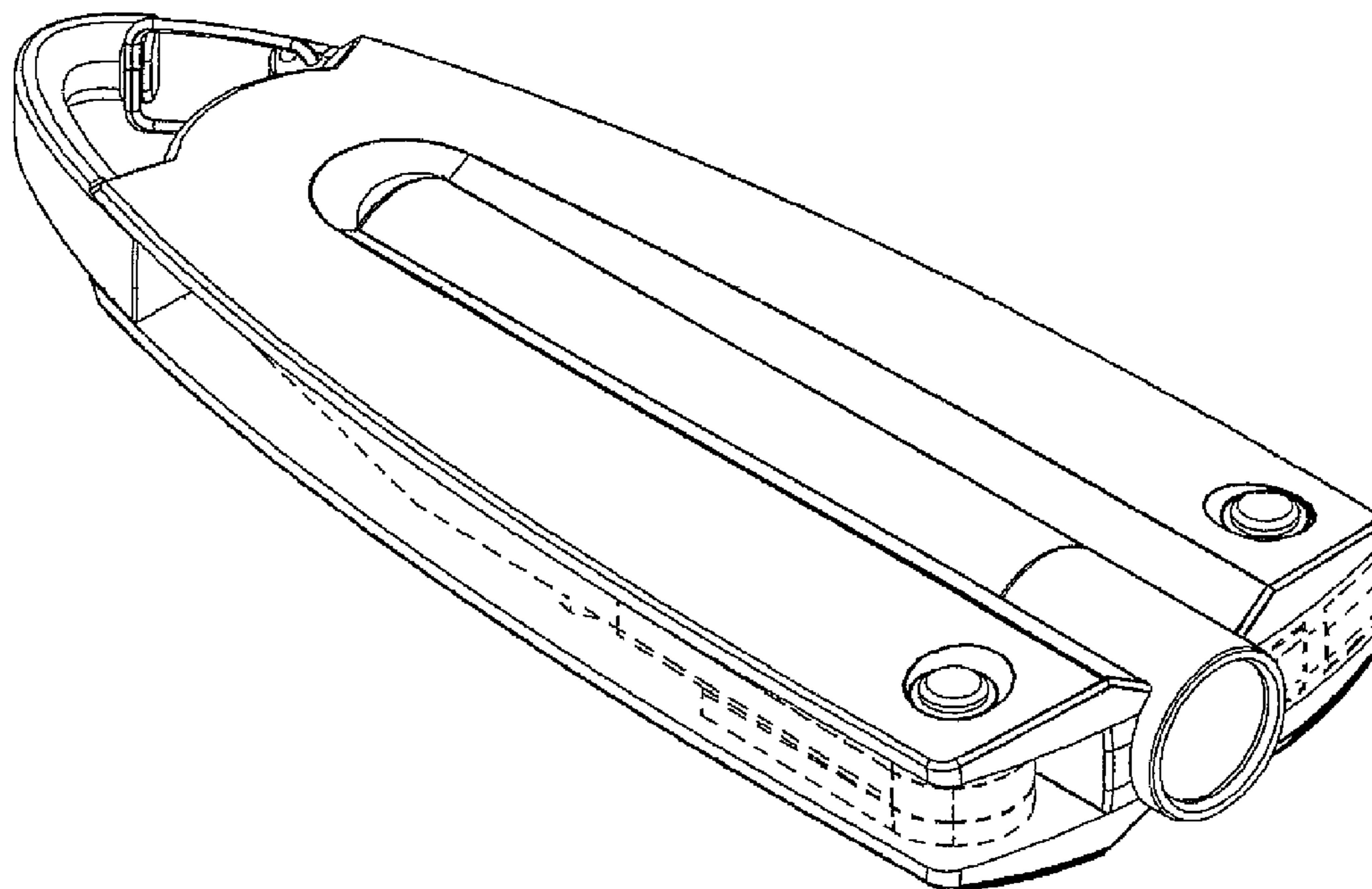
FIGS. 2 and 3 are front and back elevational views of the invention;

FIGS. 4 and 5 are left- and right-hand side elevational views of the invention; and,

FIGS. 6 and 7 are bottom and top end views of the invention.

The broken lines shown in the drawings represent unclaimed portions of the multitool with built in flashlight and form no part of the claimed design.

1 Claim, 4 Drawing Sheets



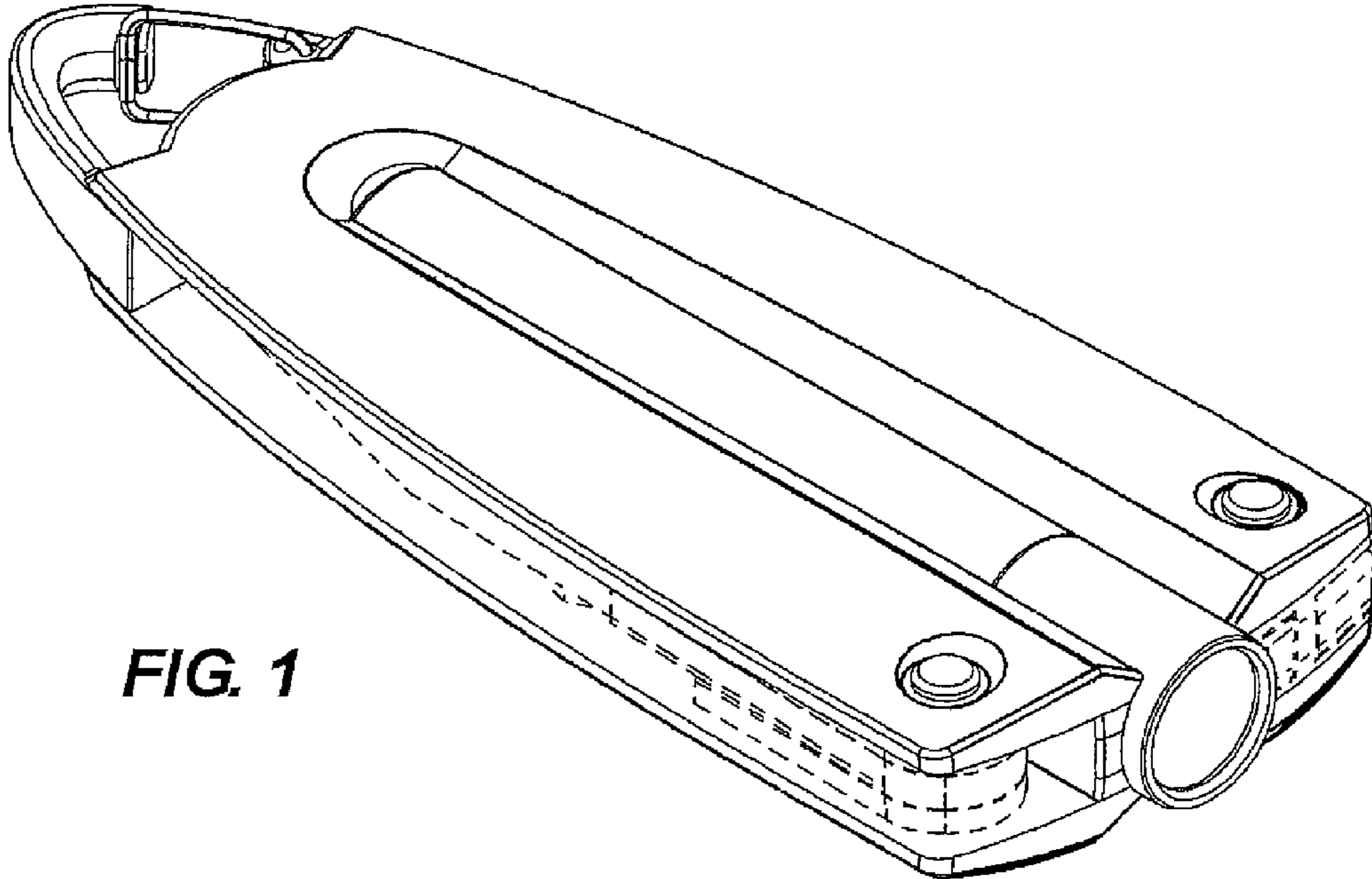


FIG. 1

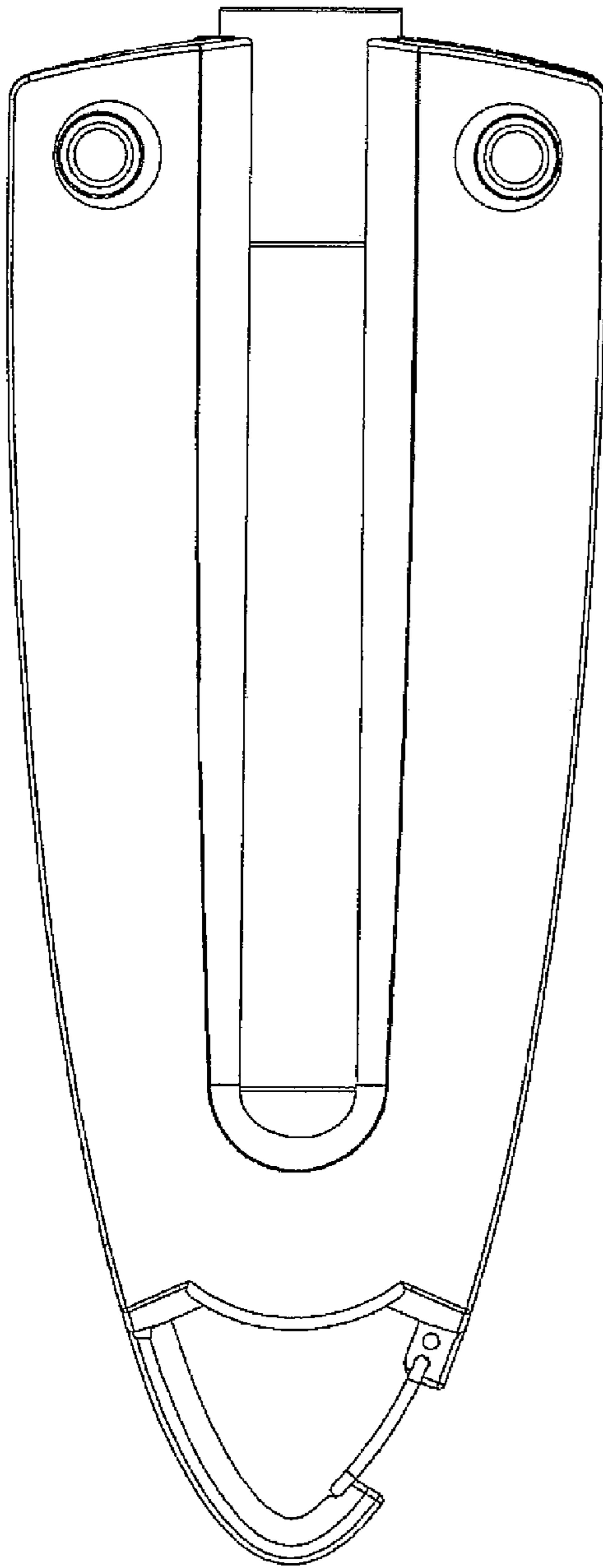


FIG. 2

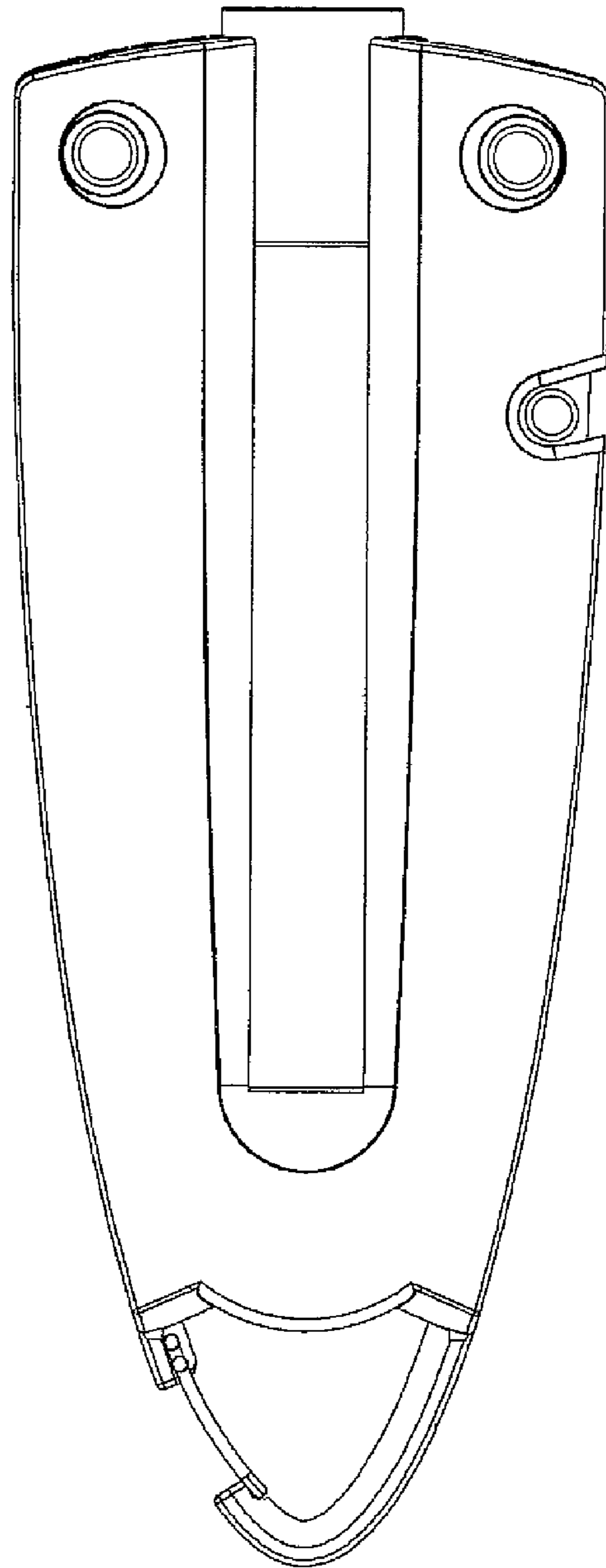


FIG. 3

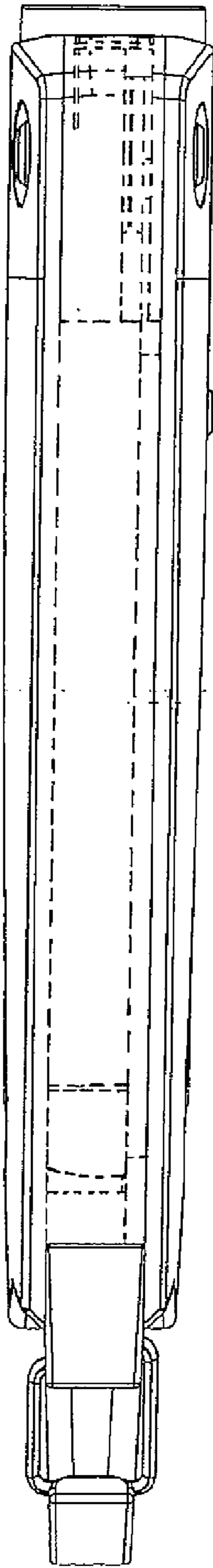


FIG. 4

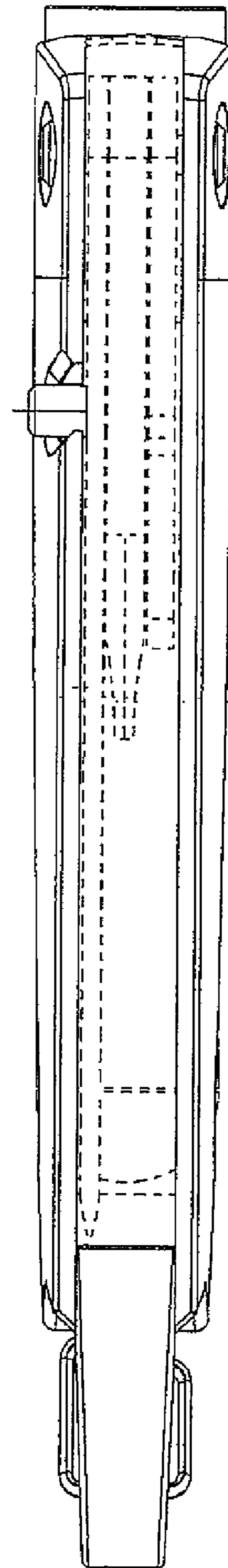


FIG. 5

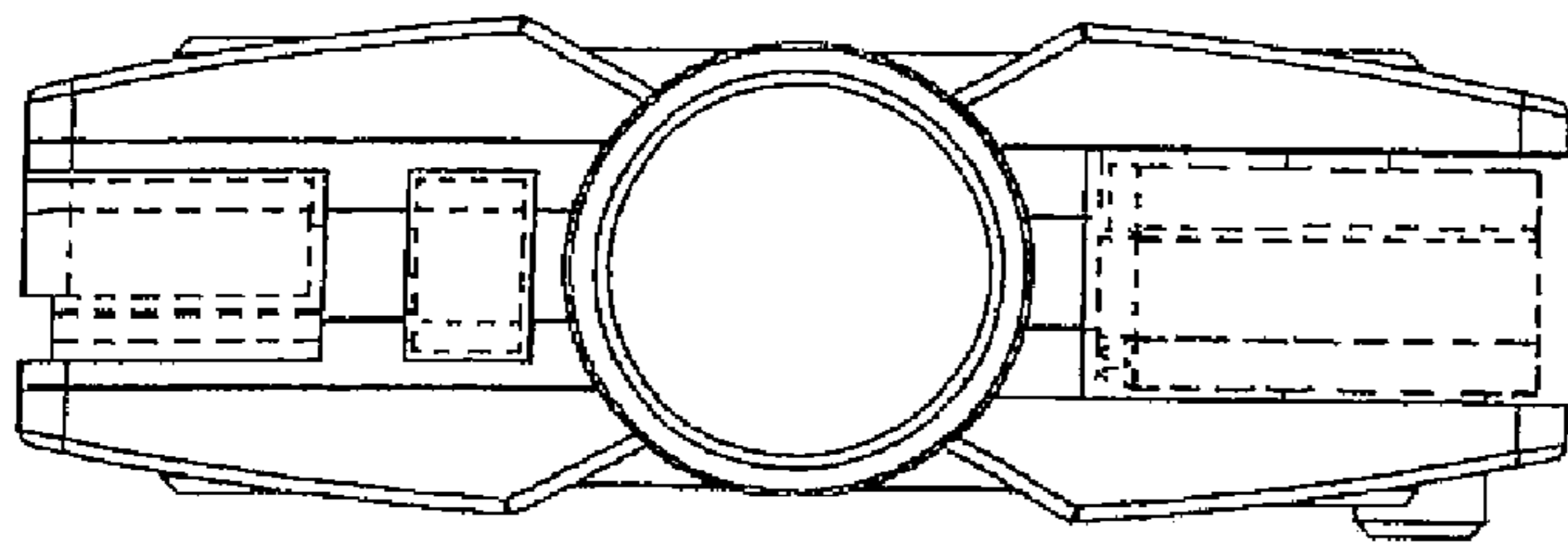


FIG. 6

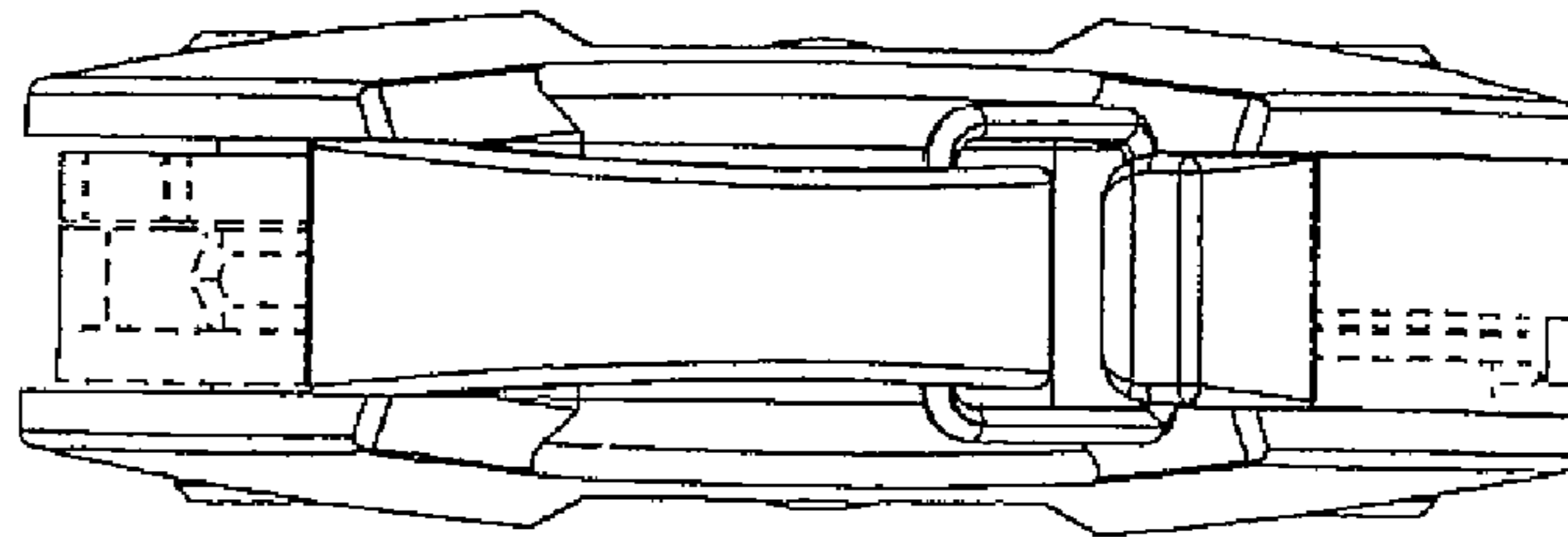


FIG. 7