



US00D603239S

(12) **United States Design Patent**
Kunzendorf

(10) **Patent No.:** **US D603,239 S**
(45) **Date of Patent:** **** Nov. 3, 2009**

(54) **MULTITOOL WITH BUILT-IN FLASHLIGHT**

(75) Inventor: **Andre Kunzendorf**, Wuppertal (DE)

(73) Assignee: **Zweibruder Optoelectronics GmbH**, Solingen (DE)

(**) Term: **14 Years**

(21) Appl. No.: **29/330,044**

(22) Filed: **Dec. 29, 2008**

(30) **Foreign Application Priority Data**

Oct. 30, 2008 (EM) 001030753

(51) **LOC (9) Cl.** **08-05**

(52) **U.S. Cl.** **D8/105**; D26/38

(58) **Field of Classification Search** D8/99,
D8/58, 55, 52, 356, 107, 105, 21, 71, 14,
D8/29; D19/65; 81/440, 427.5, 177.4, 490;
7/160, 138, 128, 118; 30/298.4, 162, 161,
30/155; 206/377, 375, 374

See application file for complete search history.

(56) **References Cited**

U.S. PATENT DOCUMENTS

D172,108 S * 5/1954 Polincovsky D27/142
D172,725 S * 7/1954 Polk D27/142
D336,415 S * 6/1993 Cheng D8/105
5,313,376 A * 5/1994 McIntosh 362/119
D350,271 S * 9/1994 Landy et al. D8/99

D399,405 S * 10/1998 Savoia D8/105
D412,355 S * 7/1999 S.ae butted.therbo D22/118
D440,350 S * 4/2001 Park D27/142
6,273,582 B1 * 8/2001 Taggart et al. 362/119
D456,094 S * 4/2002 Robinson D27/142
D467,990 S * 12/2002 Lin et al. D22/149
D509,318 S * 9/2005 Poinstingl et al. D27/143
D569,214 S * 5/2008 Telfser D8/105

* cited by examiner

Primary Examiner—Cathron C Brooks

Assistant Examiner—Austin Murphy

(74) *Attorney, Agent, or Firm*—Andrew Wilford

(57) **CLAIM**

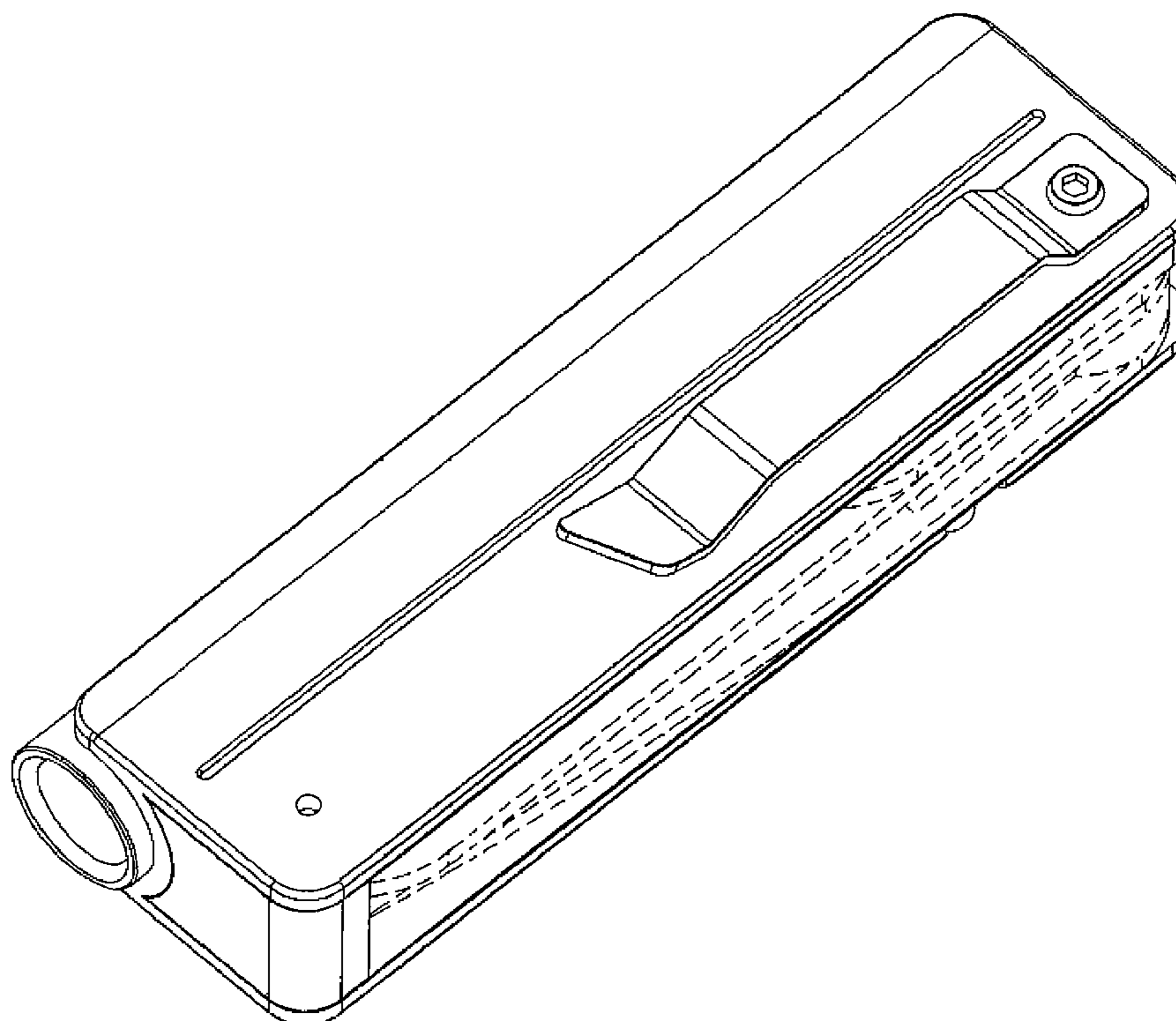
The ornamental design for a multitool with built-in flashlight, as shown and described.

DESCRIPTION

FIG. 1 is a perspective view of the back of the invention;
FIGS. 2 and 3 are front and back elevational views of the invention;
FIGS. 5 and 6 are left- and right-hand side elevational views of the invention; and,
FIGS. 7 and 8 are large-scale bottom and top end views of the invention.

The broken lines shown in the drawings represent unclaimed portions of the multitool with built in flashlight and form no part of the claimed design.

1 Claim, 4 Drawing Sheets



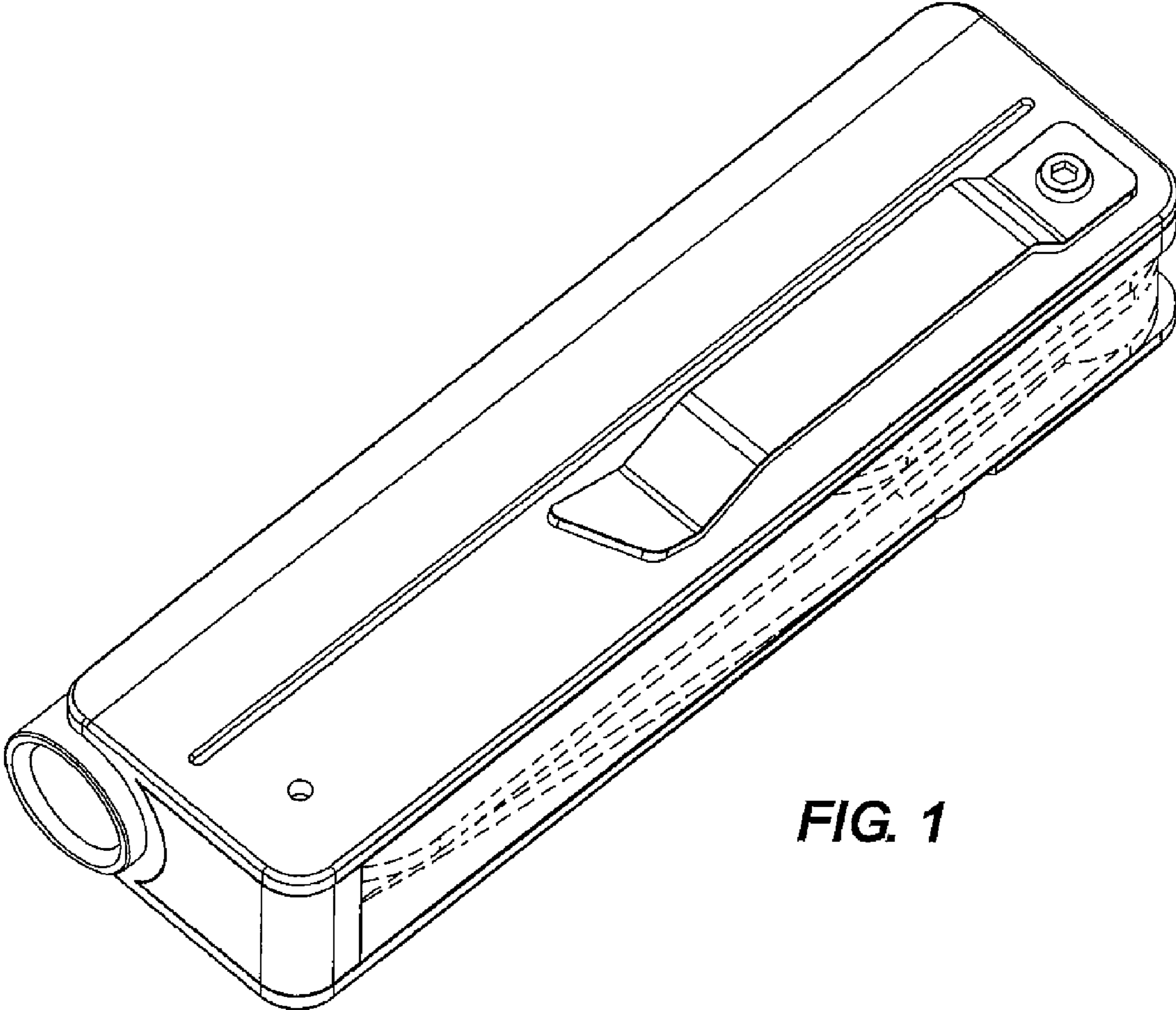


FIG. 1

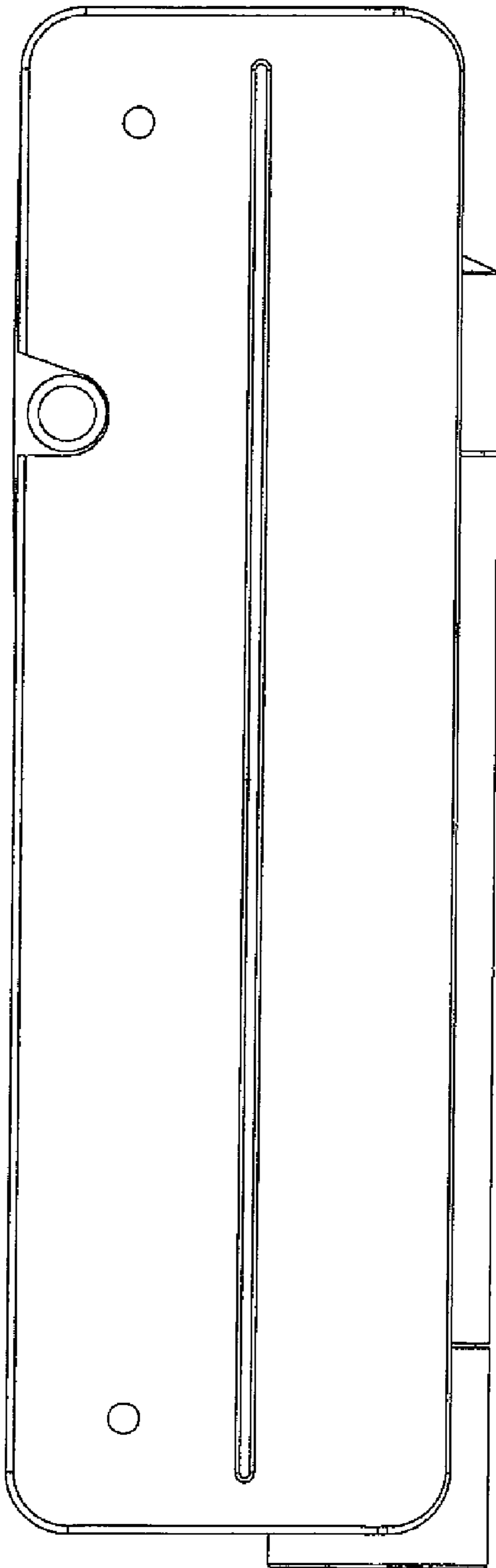


FIG. 2

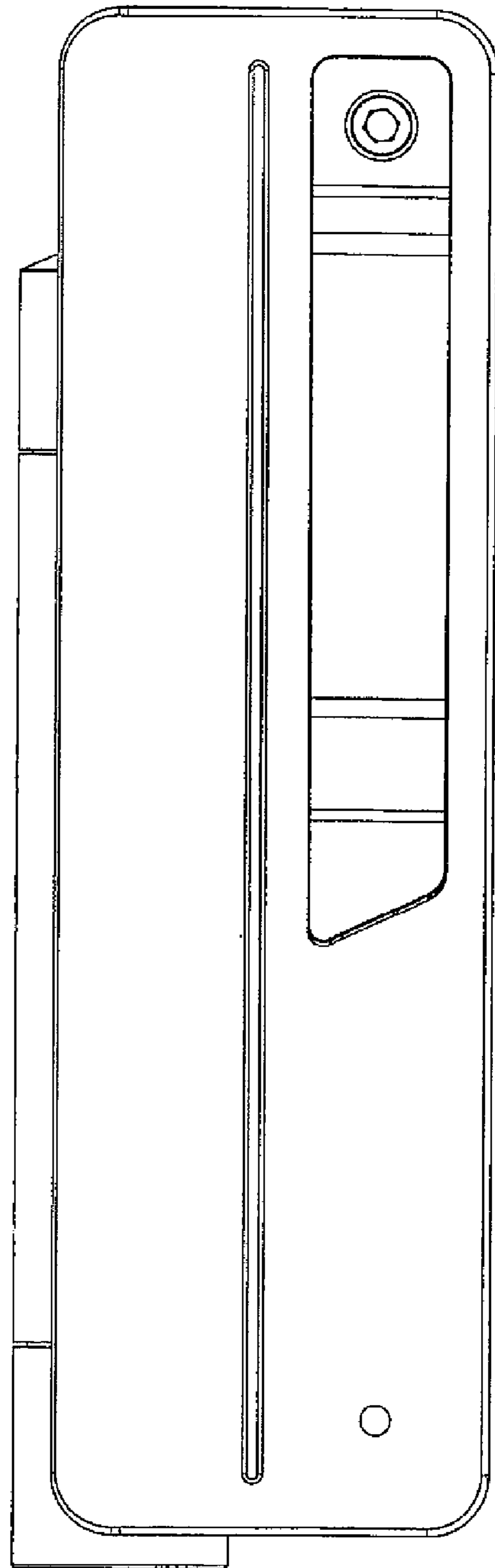


FIG. 3

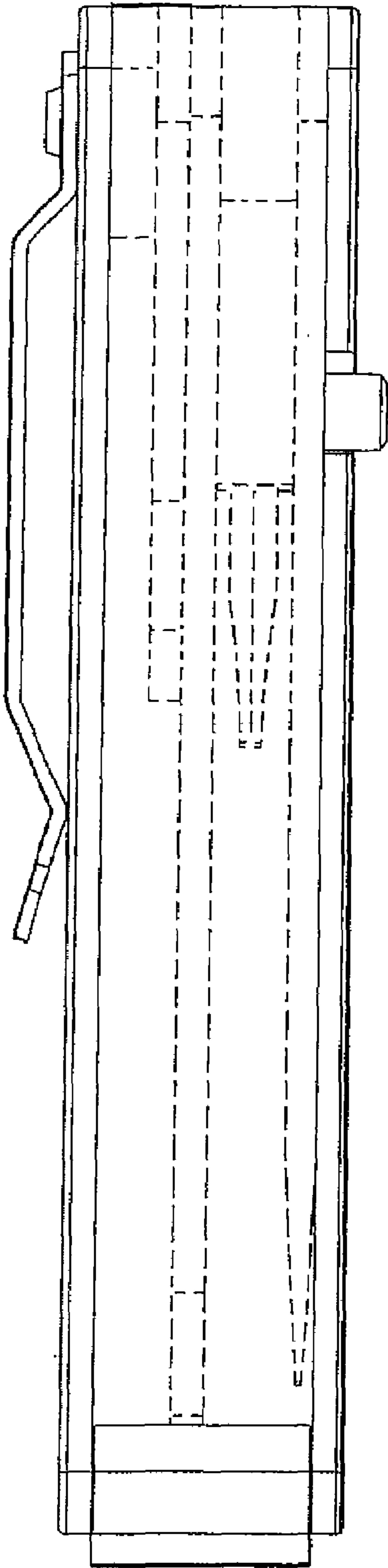


FIG. 4

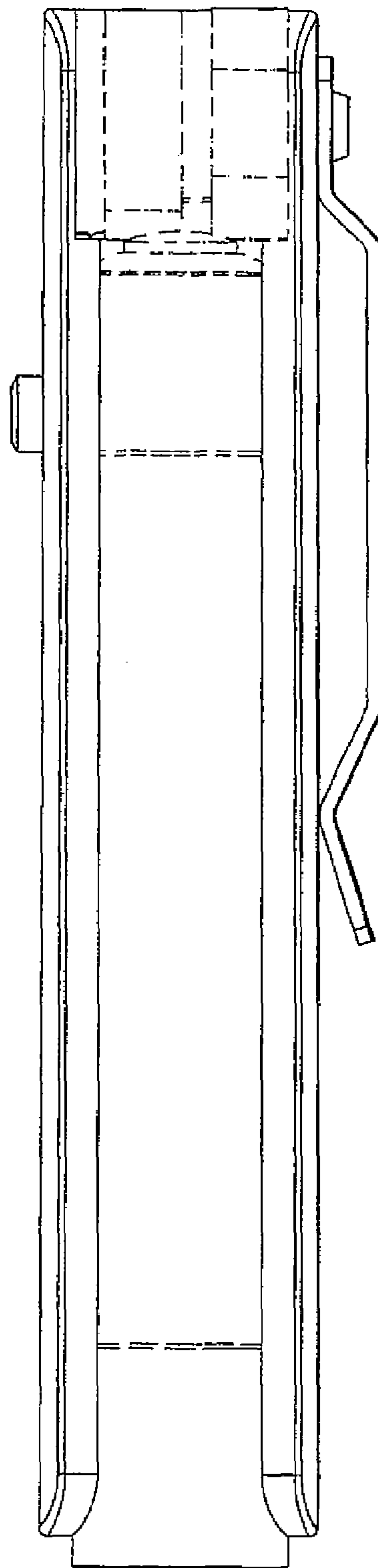


FIG. 5

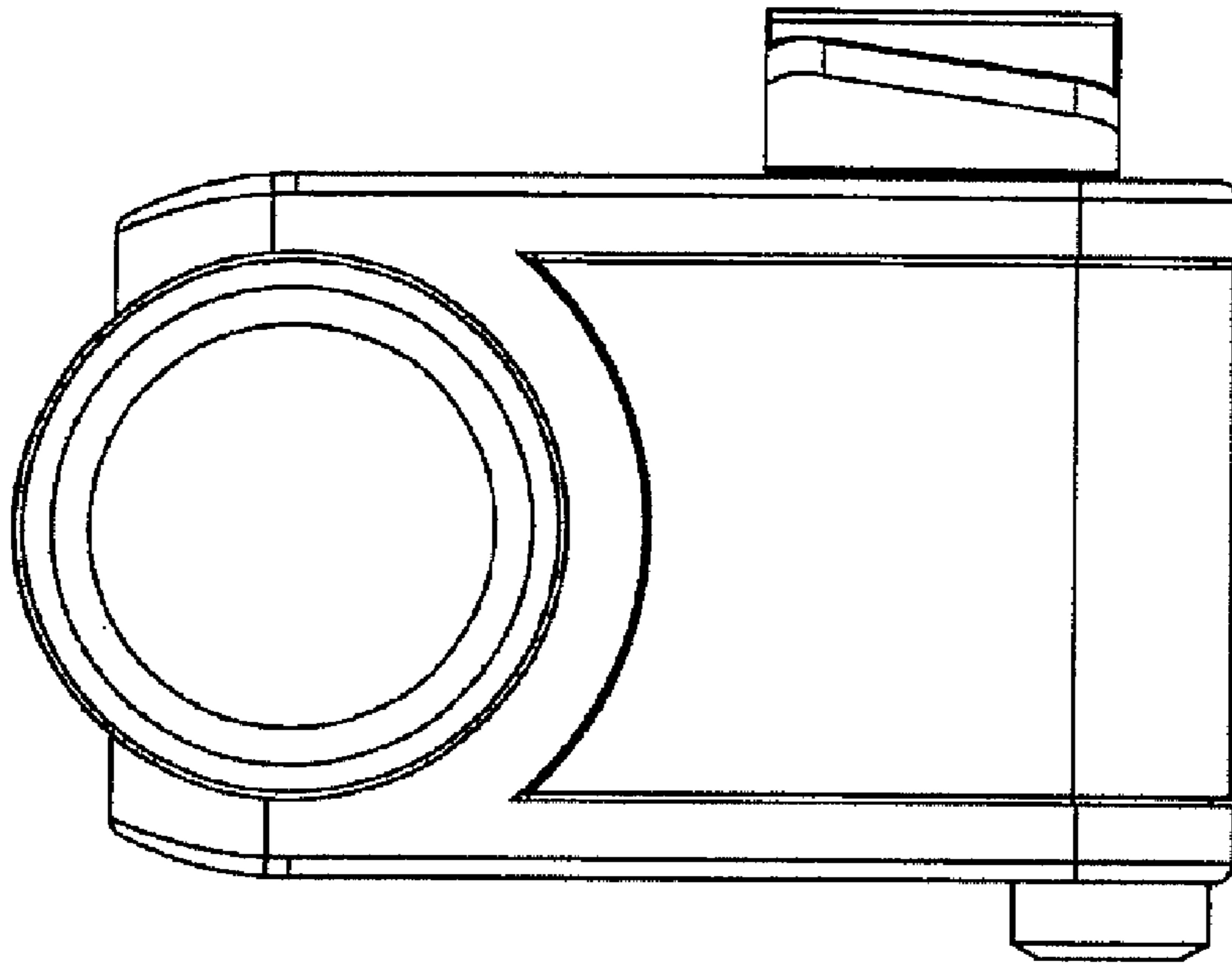


FIG. 6

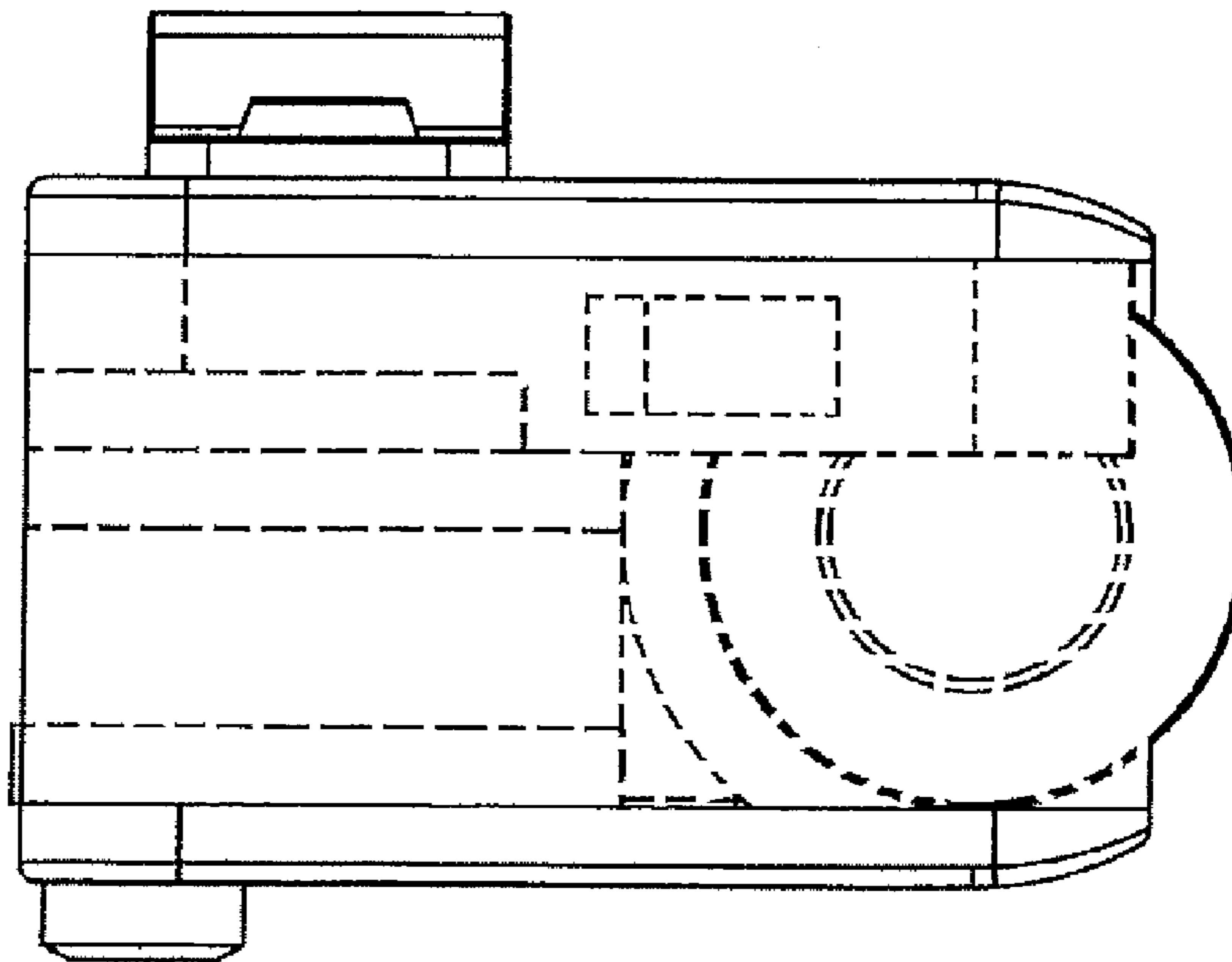


FIG. 7