



US00D603238S

(12) **United States Design Patent**
Lawrence

(10) **Patent No.:** **US D603,238 S**

(45) **Date of Patent:** **** Nov. 3, 2009**

(54) **CIRCULAR SAW RIP GUIDE SYSTEM**

Primary Examiner—Antoine D Davis

(74) *Attorney, Agent, or Firm*—David D. Winters

(76) **Inventor:** **David Adam Lawrence**, 1339 Pond
Creak Rd., Ashland City, TN (US) 37143

(57) **CLAIM**

(**) **Term:** **14 Years**

The ornamental design for “circular saw rip guide system,” as shown and described.

(21) **Appl. No.:** **29/323,535**

(22) **Filed:** **Aug. 27, 2008**

DESCRIPTION

(51) **LOC (9) Cl.** **08-05**

FIG. 1 is a perspective view of the circular saw rip guide system showing my new design.

(52) **U.S. Cl.** **D8/70**

FIG. 2 is a front view thereof.

(58) **Field of Classification Search** D8/66,

FIG. 3 is a rear view thereof.

D8/70; 30/273, 374–375; 125/12–14, 35

FIG. 4 is a left side view thereof.

See application file for complete search history.

FIG. 5 is a right side view thereof.

(56) **References Cited**

FIG. 6 is a top plan view thereof; and,

U.S. PATENT DOCUMENTS

FIG. 7 is a bottom view thereof.

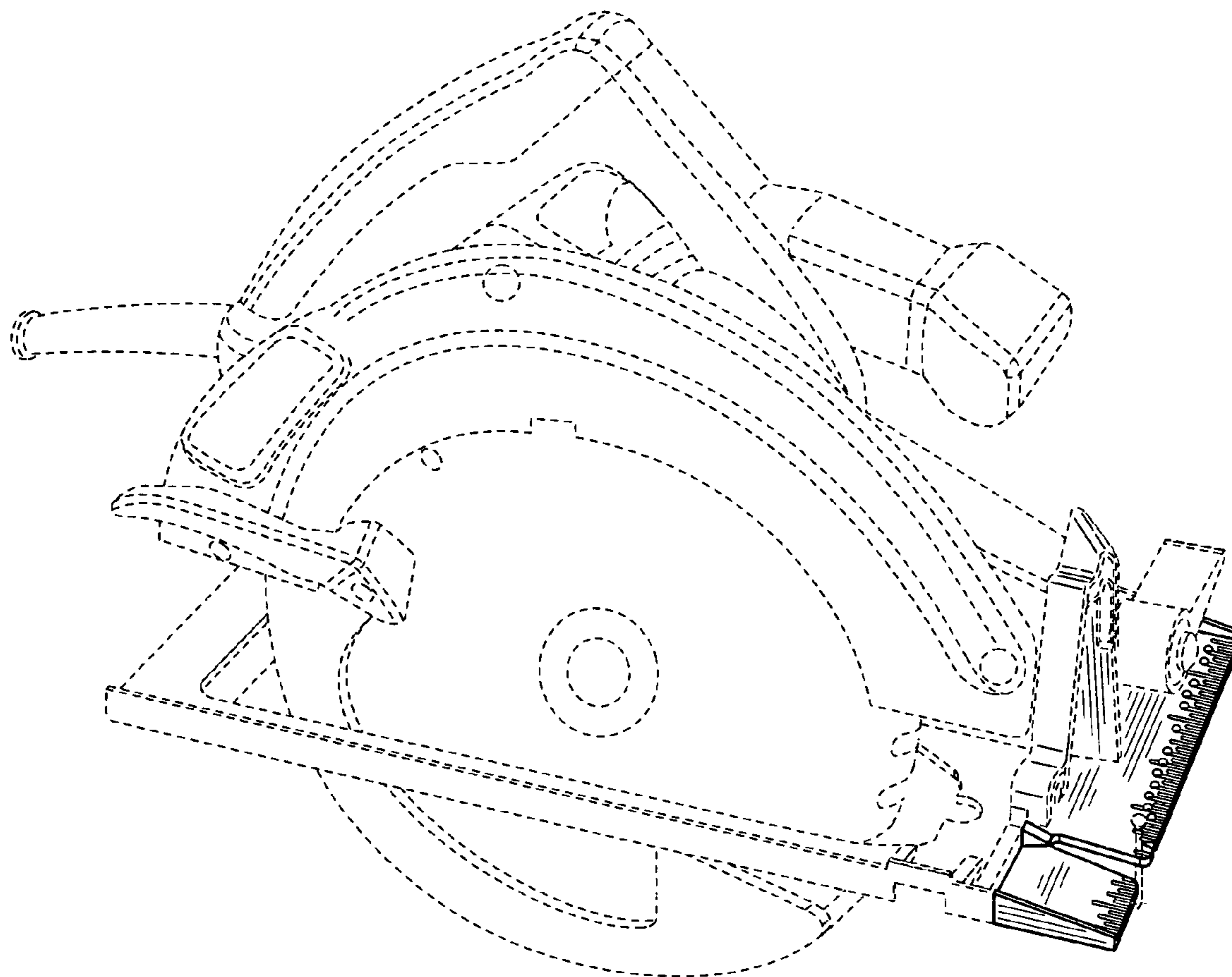
D313,155 S * 12/1990 Somers D8/66

2006/0162171 A1 * 7/2006 Fuchs et al. 30/374

The broken line showing of structural features is included for the purpose of illustrating non-claimed subject matter and forms no part of the claimed design.

* cited by examiner

1 Claim, 4 Drawing Sheets



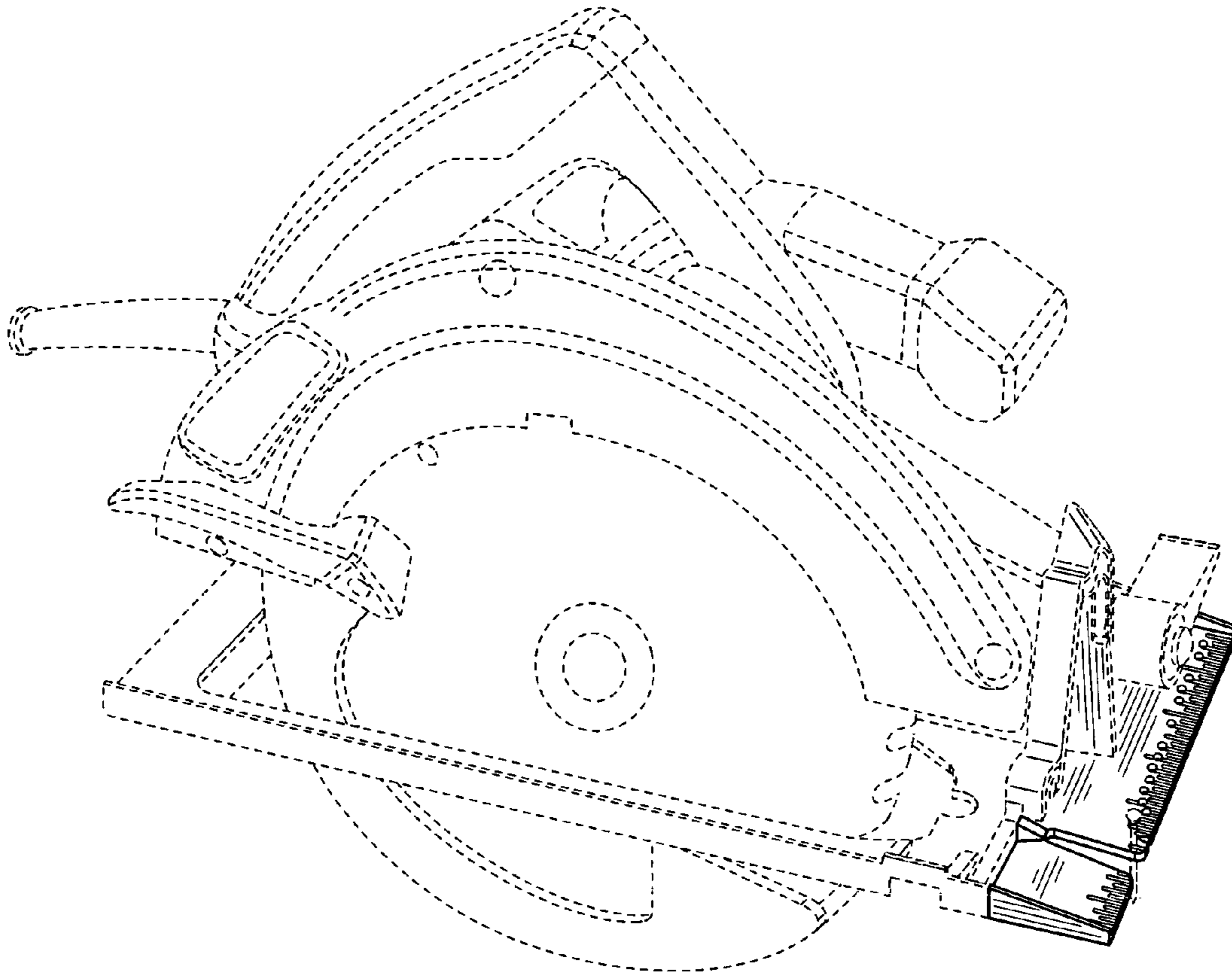


FIG. 1

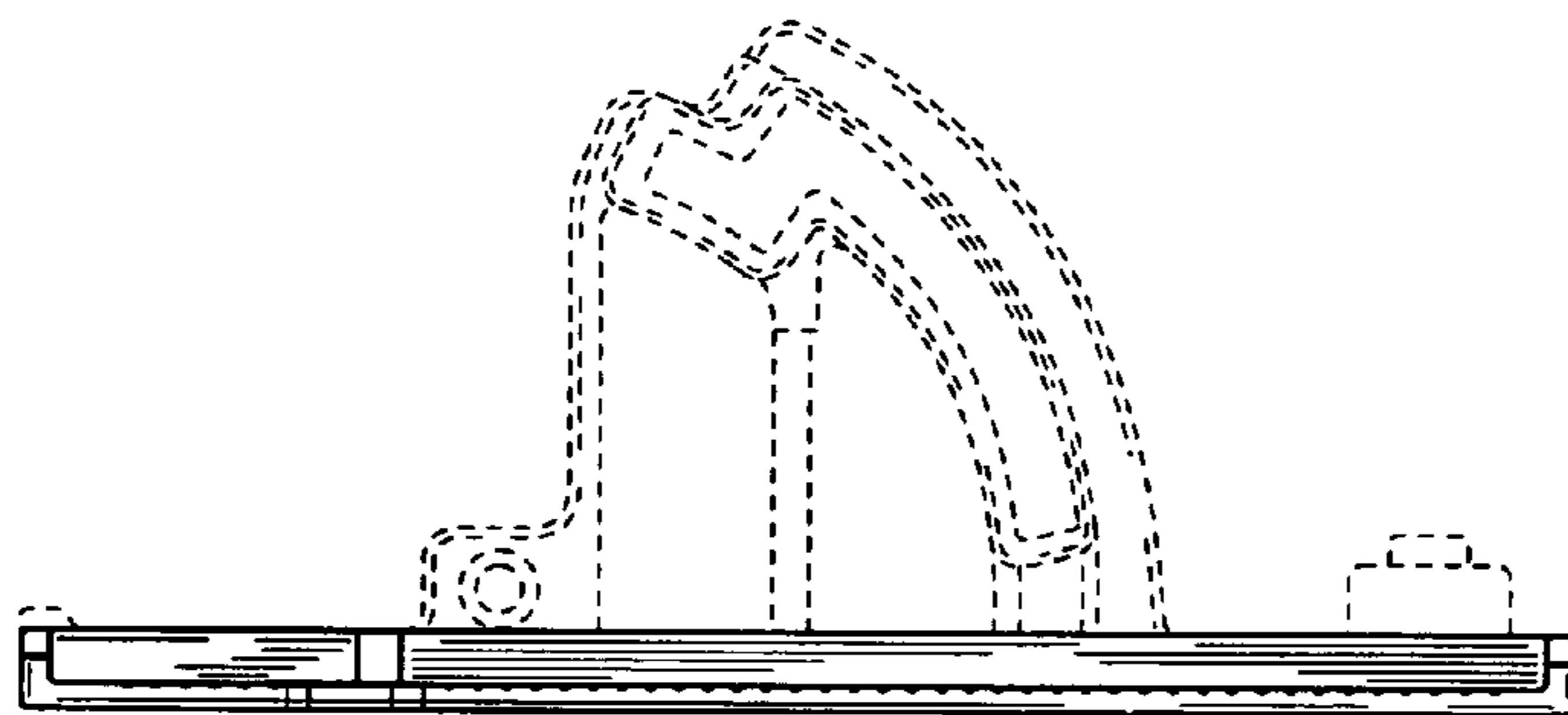


FIG. 2

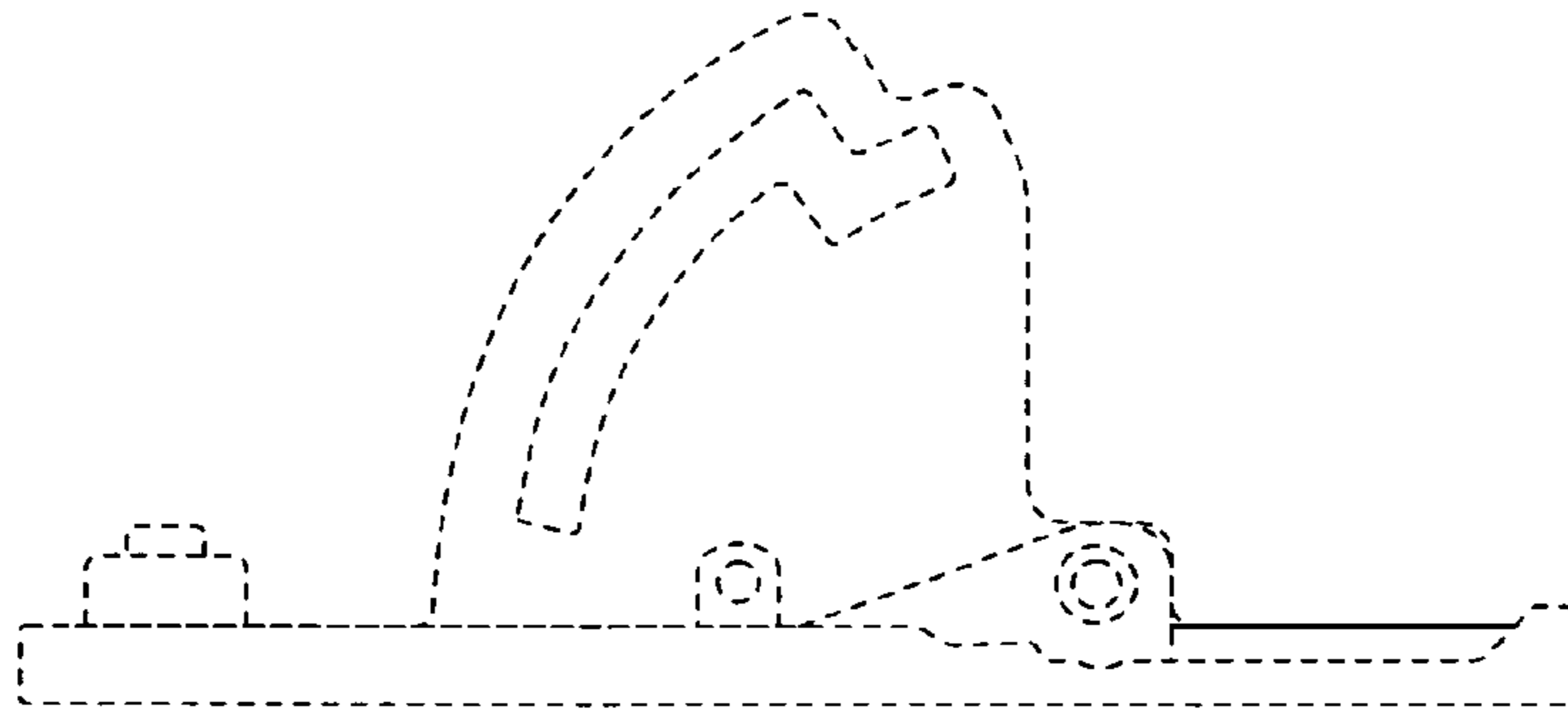


FIG. 3

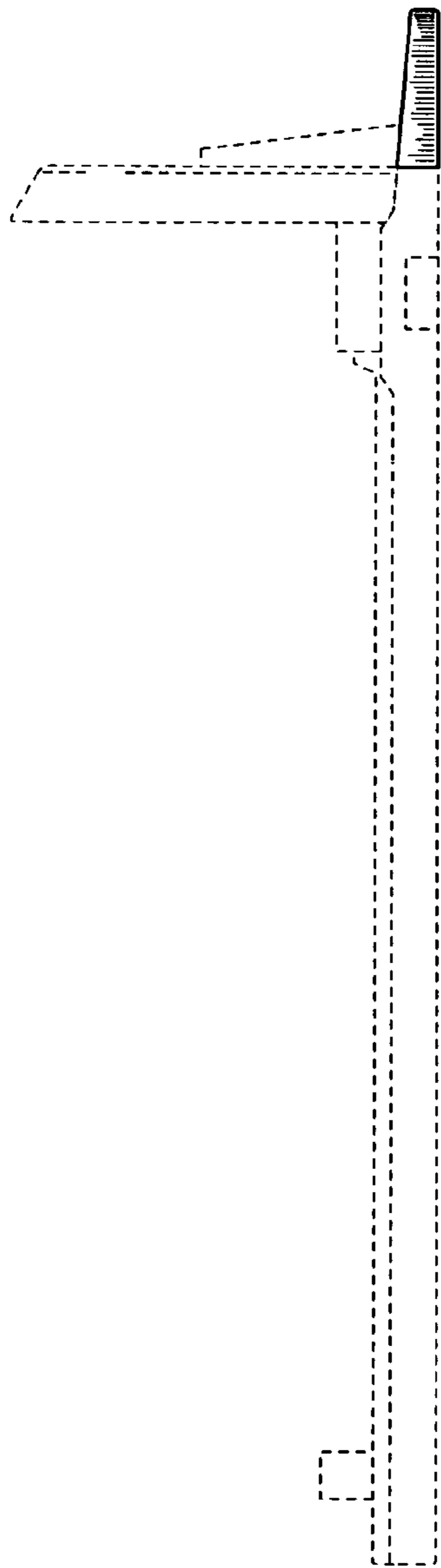


FIG. 4

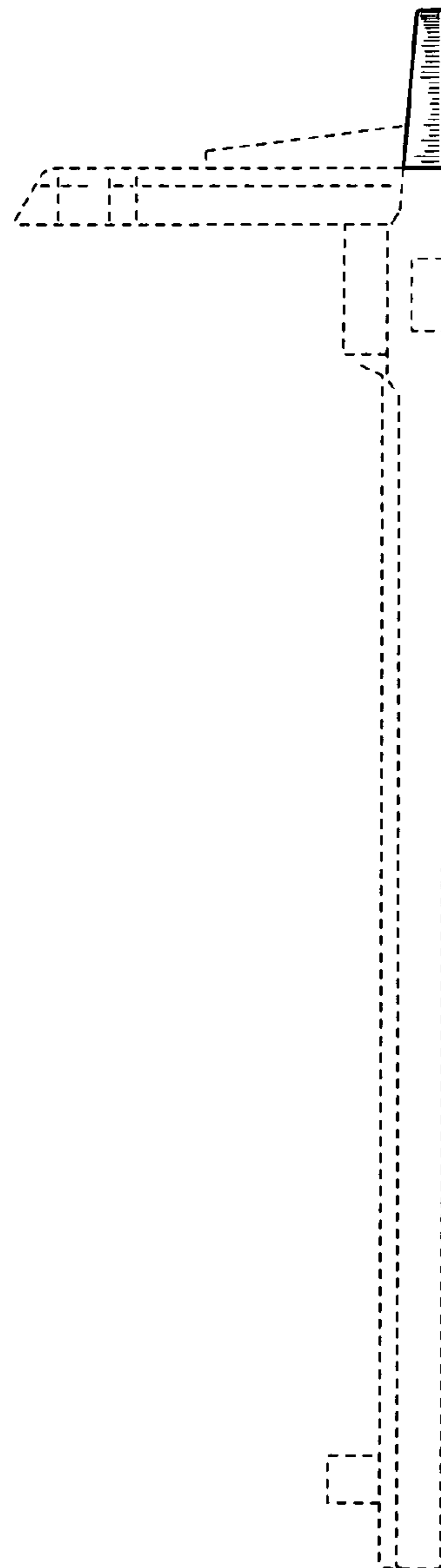


FIG. 5

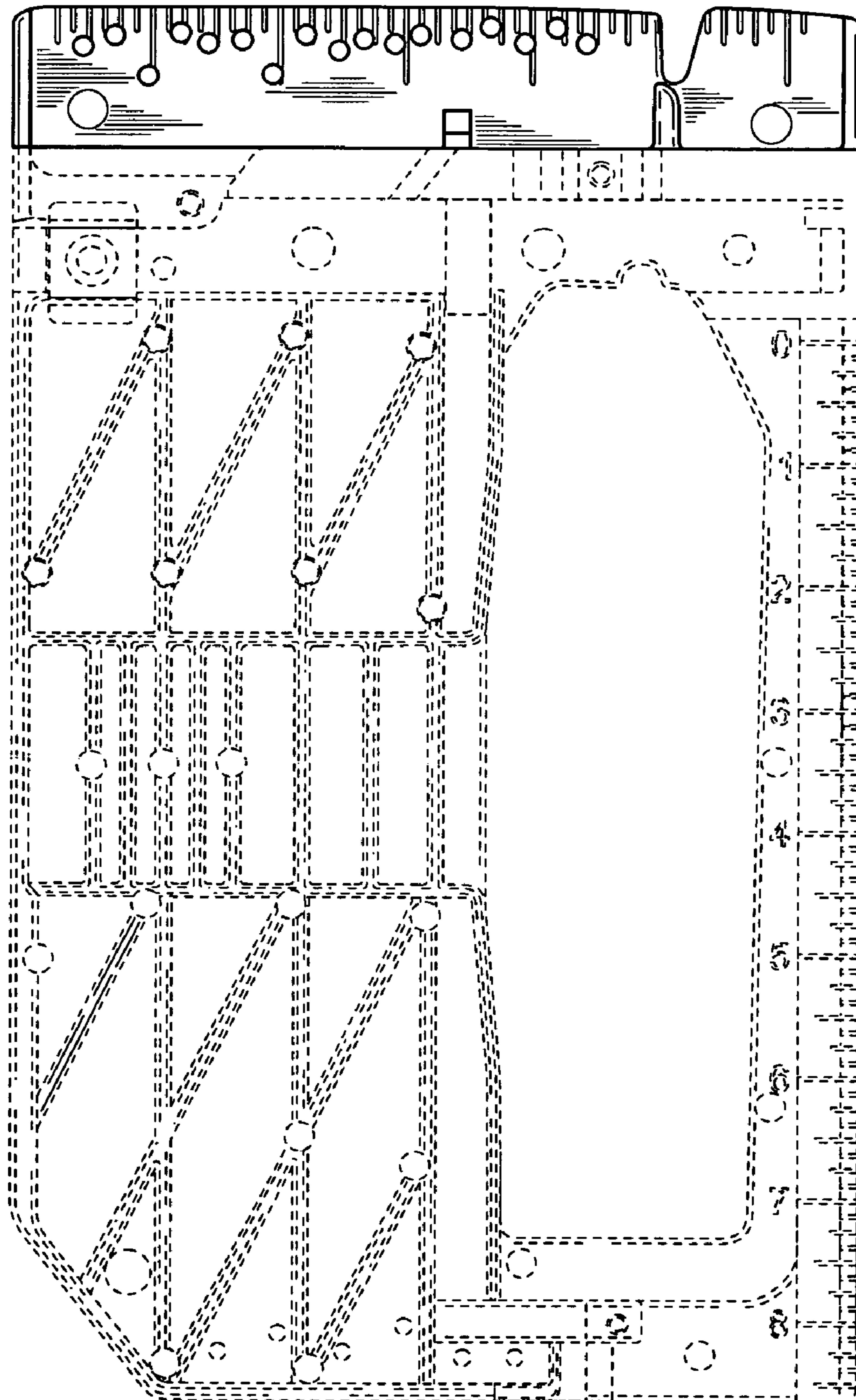


FIG. 6

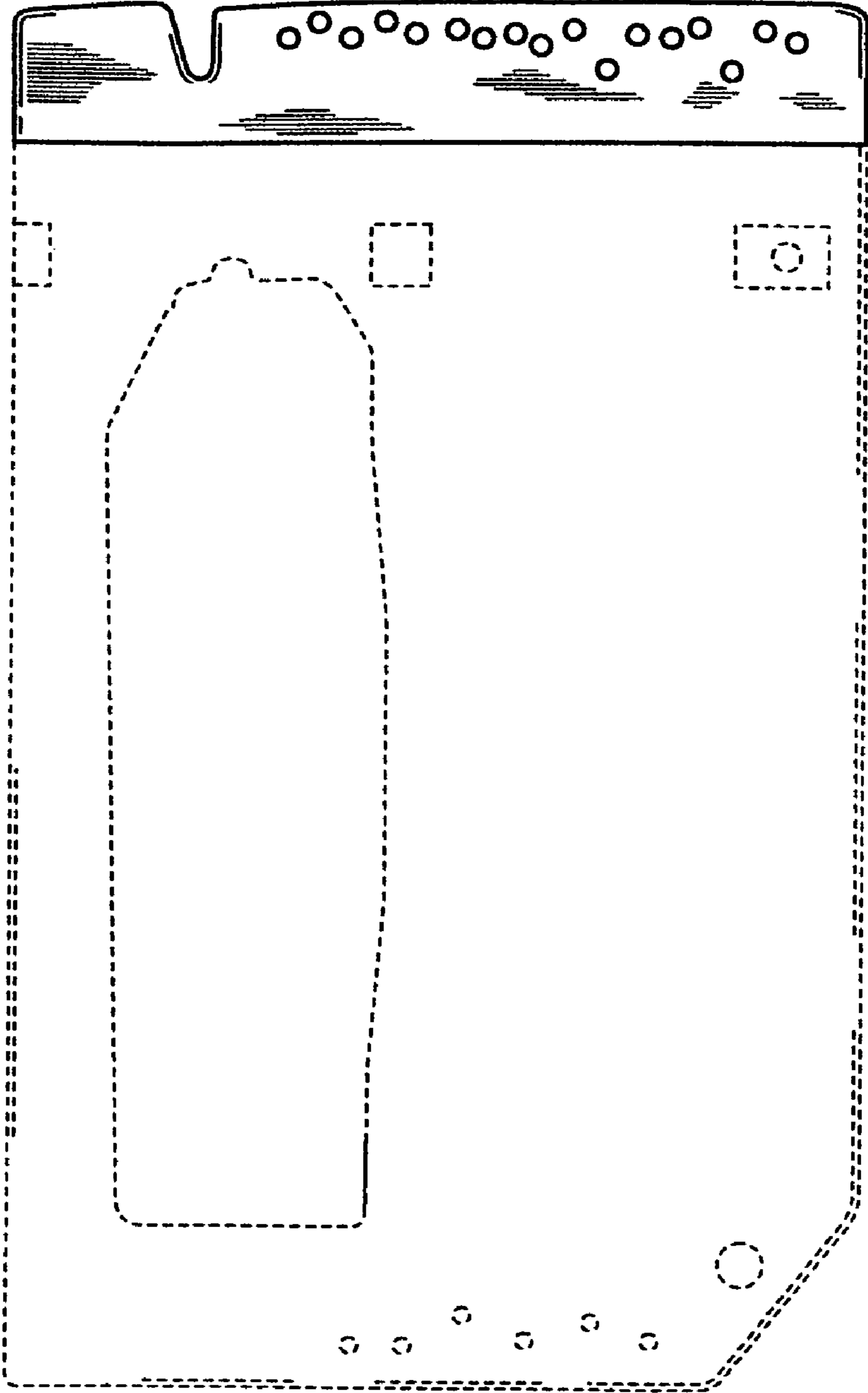


FIG. 7