



US00D603236S

(12) **United States Design Patent**
Weeks

(10) **Patent No.:** **US D603,236 S**

(45) **Date of Patent:** **** Nov. 3, 2009**

(54) **BAR PRY BOTTLE OPENER**

D589,313 S * 3/2009 Engelke D8/40
7,503,545 B2 * 3/2009 Verbowski 254/25

(76) Inventor: **David Weeks**, 68 Jay St., Suite 612A,
Brooklyn, NY (US) 11201

* cited by examiner

(**) Term: **14 Years**

Primary Examiner—Caron Veynar
Assistant Examiner—Garth Rademaker

(21) Appl. No.: **29/308,880**

(22) Filed: **Jul. 14, 2008**

(57) **CLAIM**

(51) **LOC (9) Cl.** **07-99**

The ornamental design for a bar pry bottle opener, as shown and described.

(52) **U.S. Cl.** **D8/38; D8/89**

(58) **Field of Classification Search** D8/14,

D8/16-19, 33-43, 88, 89; 7/151; 81/3.07,
81/3.09, 3.22, 3.29, 3.35, 3.37, 3.4, 3.55

See application file for complete search history.

DESCRIPTION

(56) **References Cited**

U.S. PATENT DOCUMENTS

1,472,517	A *	10/1923	Fry	7/138
1,486,820	A *	3/1924	Wilder	7/166
2,210,602	A *	8/1940	Scott	D8/89
D197,205	S *	12/1963	Estwing	D8/89
D222,659	S *	11/1971	Hillis	D8/40
D240,289	S *	6/1976	Skinner	D8/40
D444,690	S *	7/2001	Bond	D8/89
D572,987	S *	7/2008	Kliskey	D8/16

FIG. 1 is a top plan view of the bar pry bottle opener a bar pry bottle opener showing my design;

FIG. 2 is a bottom plan view of thereof;

FIG. 3 is a front elevational view thereof, shown at an enlarged scale;

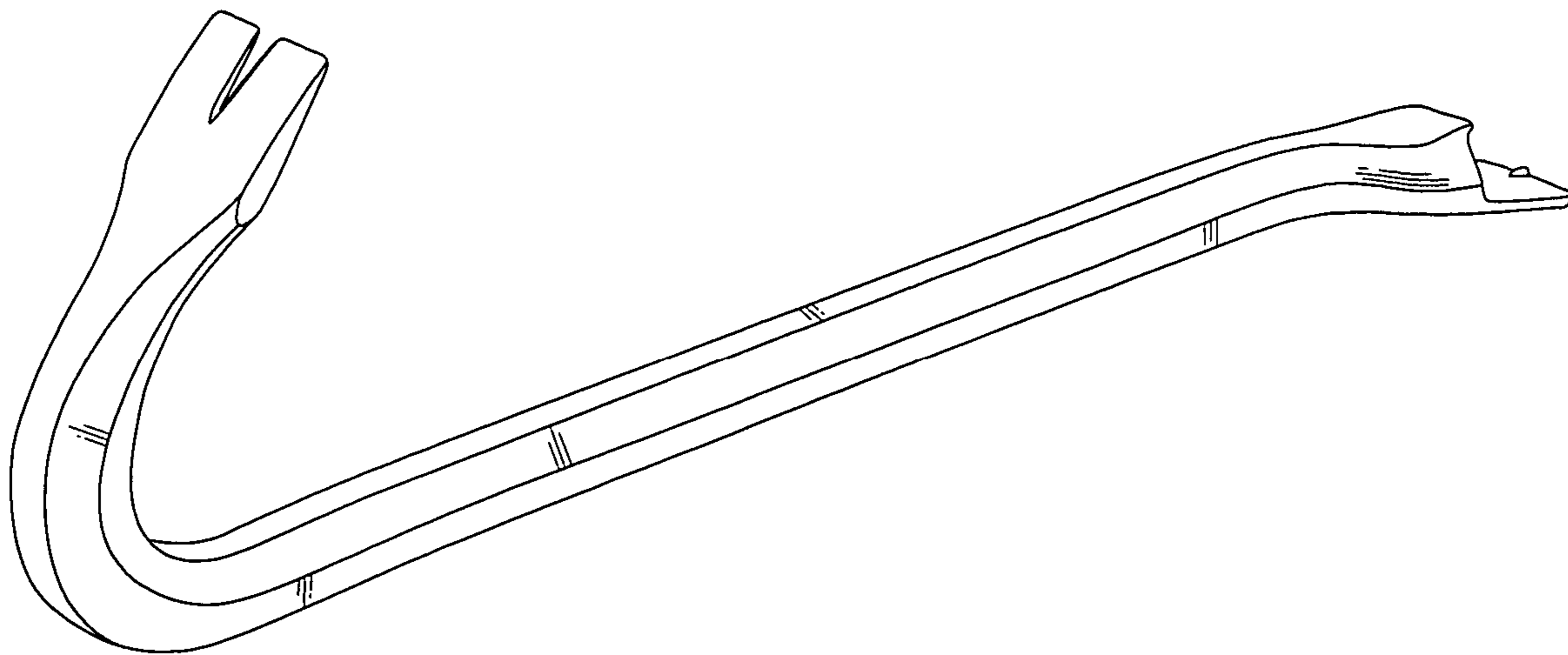
FIG. 4 is a rear elevational view thereof, shown at an enlarged scale;

FIG. 5 is a left side elevational view thereof;

FIG. 6 is a right side elevational view thereof; and,

FIG. 7 is a perspective view thereof.

1 Claim, 2 Drawing Sheets



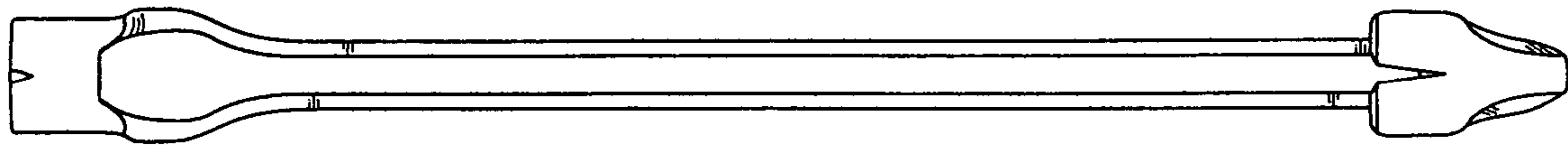


FIG. 1

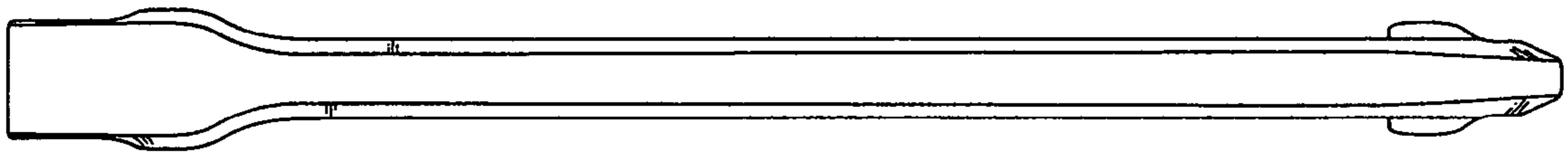


FIG. 2

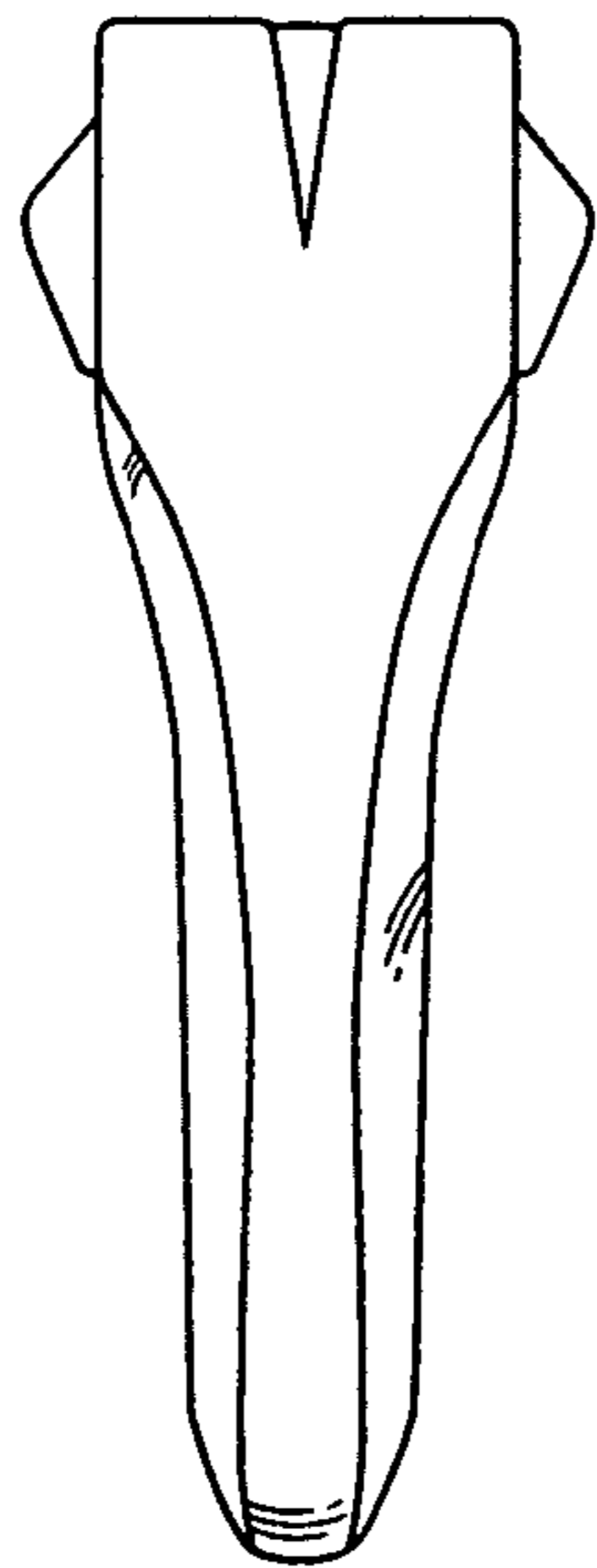


FIG. 3

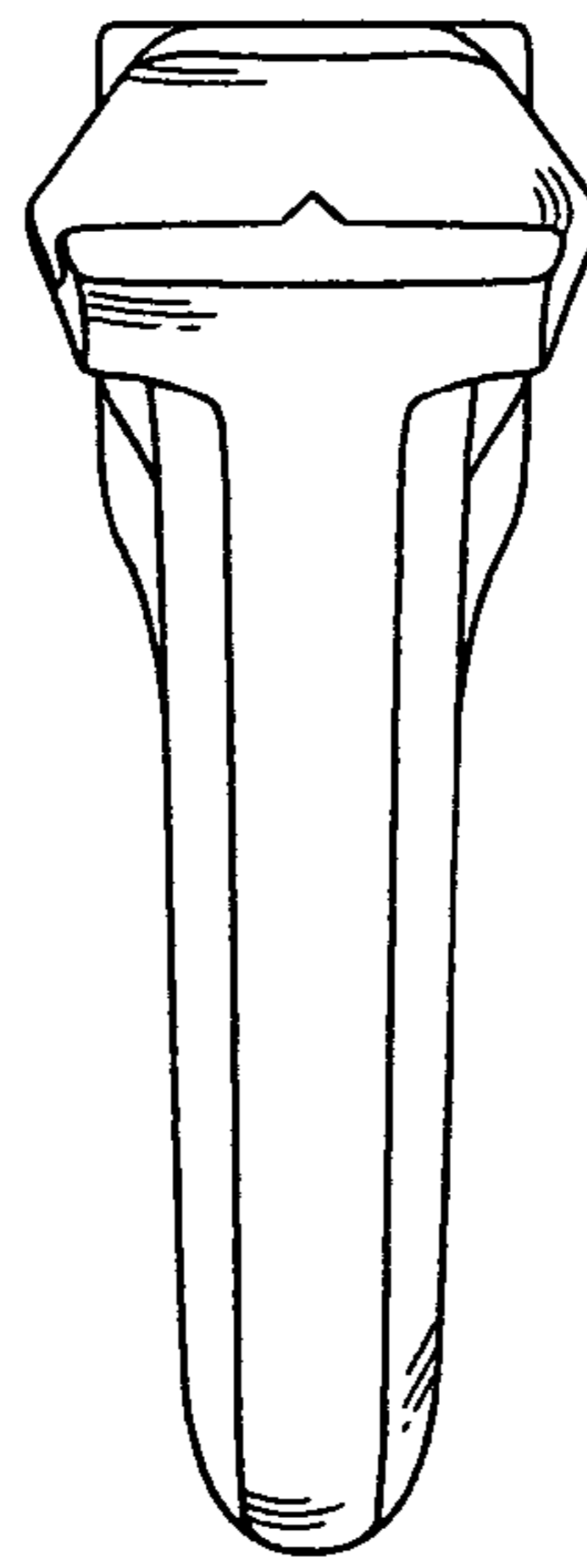


FIG. 4

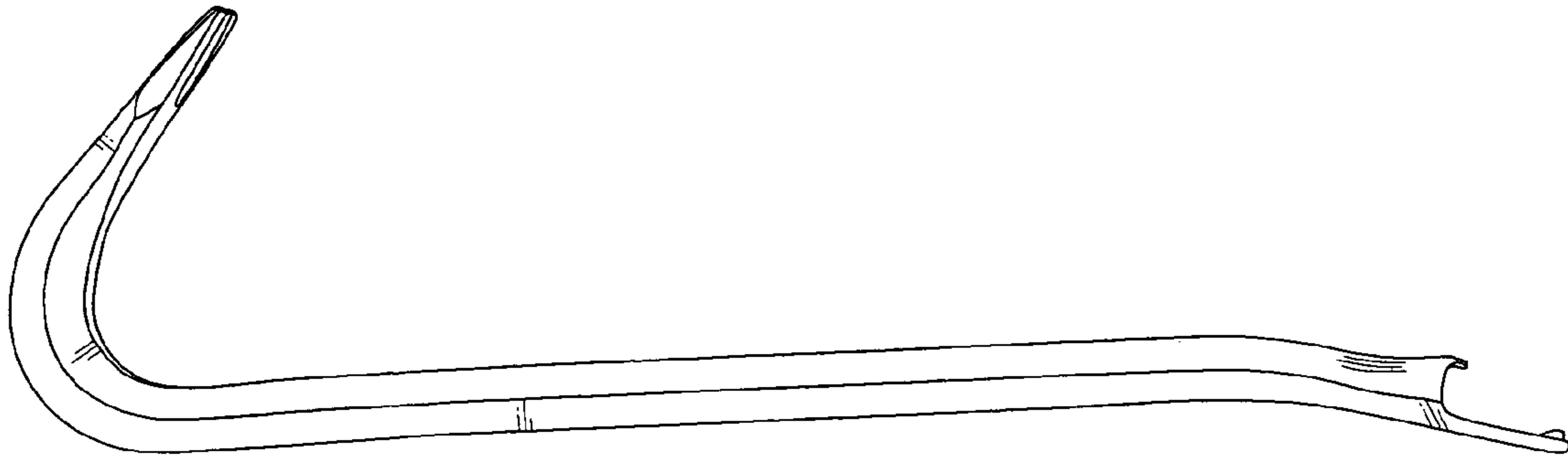


FIG. 5

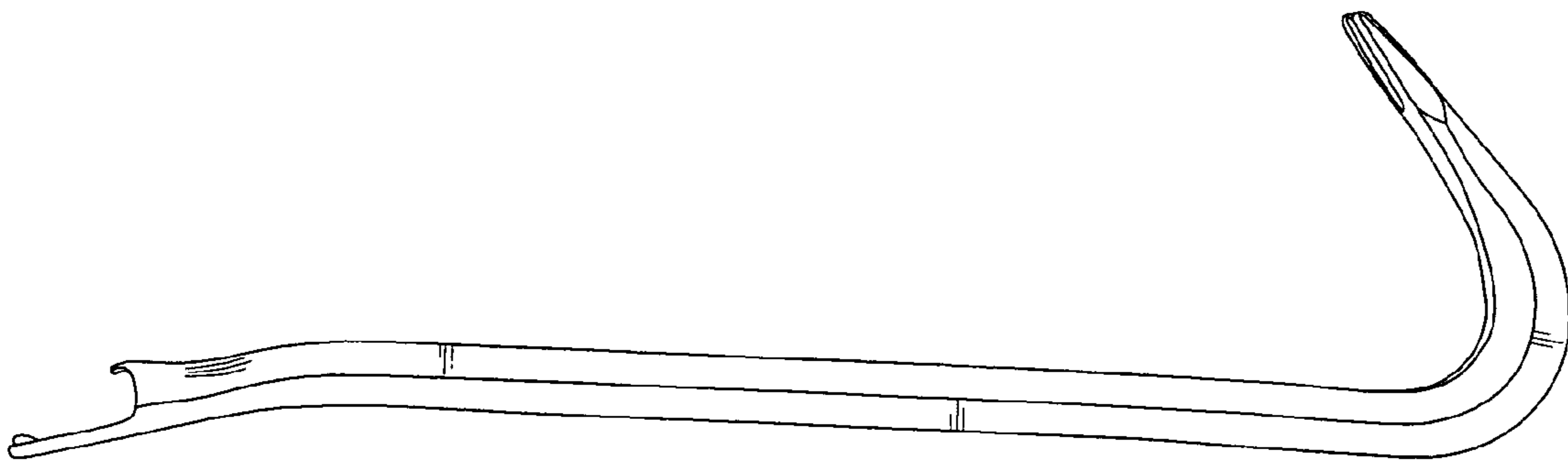


FIG. 6

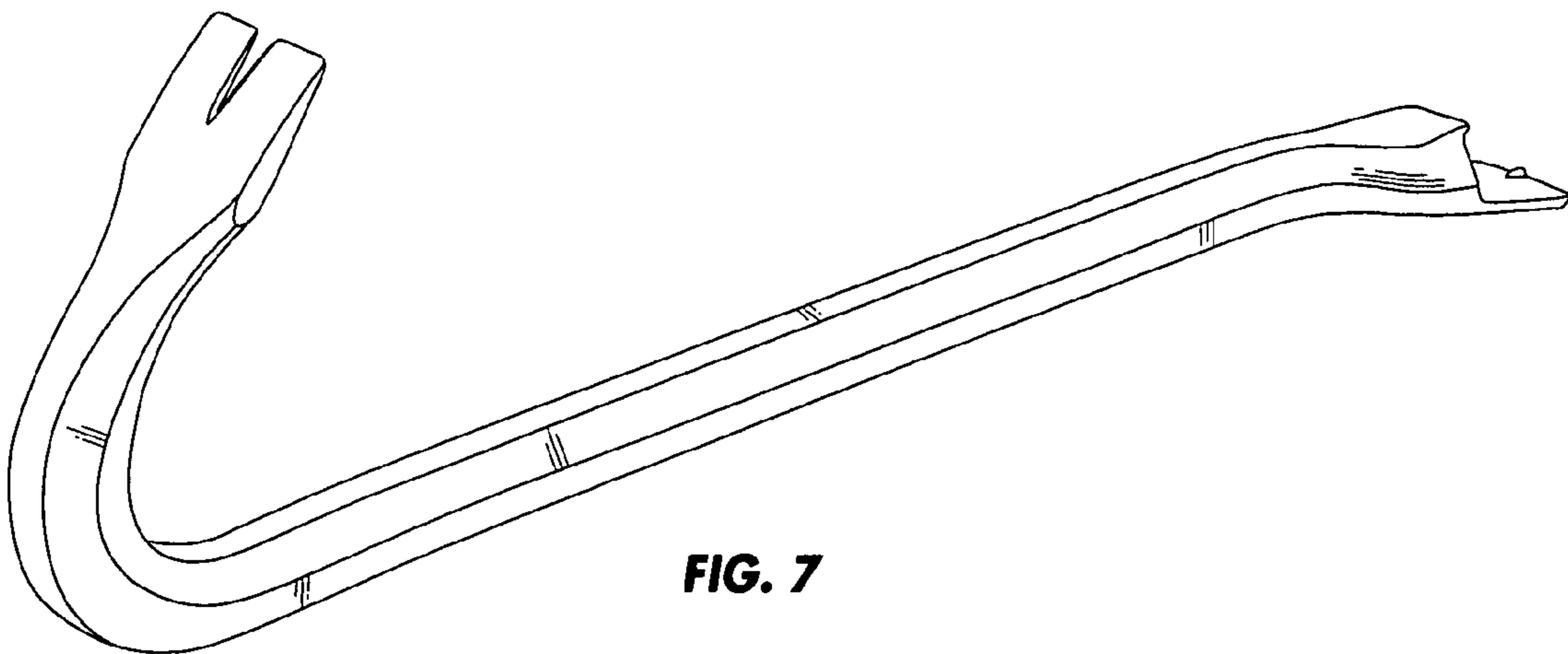


FIG. 7