



US00D603235S

(12) **United States Design Patent**
Ruzicka

(10) **Patent No.:** **US D603,235 S**

(45) **Date of Patent:** **** Nov. 3, 2009**

(54) **FINGER LOOP ERGONOMIC HANDLE CONSTRUCTION FOR A WRENCH**

(74) *Attorney, Agent, or Firm*—Richard L. Miller

(76) Inventor: **Kenneth L Ruzicka**, P.O. Box 81,
Sayville, NY (US) 11782

(57) **CLAIM**

The ornamental design for finger loop ergonomic handle construction for a wrench, as shown and described.

(**) Term: **14 Years**

DESCRIPTION

(21) Appl. No.: **29/310,848**

FIG. 1 is a diagrammatic perspective view of a finger loop ergonomic handle construction for a wrench showing my new design;

(22) Filed: **Sep. 12, 2008**

FIG. 2 is a diagrammatic top elevational view thereof, it being understood that the bottom elevational view is a mirror image thereof;

(51) **LOC (9) Cl.** **08-05**

(52) **U.S. Cl.** **D8/28**

(58) **Field of Classification Search** D8/21-30;
81/60, 177.1, 177.85, 121.1, 124.3, 165-170,
81/110.1, 176.2, 124.6, 176.1, 176.15, 177.2;
16/110.1; D15/144.1; 219/75, 227, 229,
219/121.16, 121.18

FIG. 3 is a diagrammatic front elevational view thereof, it being understood that the back elevational view is a mirror image thereof;

See application file for complete search history.

FIG. 4 is a diagrammatic perspective view, similar to FIG. 1, of a second embodiment of the finger loop ergonomic handle construction for a wrench showing my new design;

(56) **References Cited**

U.S. PATENT DOCUMENTS

726,782	A	4/1903	Stone	
978,818	A	12/1910	Bowen	
1,368,446	A	2/1921	Madsen	
1,370,194	A *	3/1921	Cunha	81/177.2
2,313,174	A	3/1943	Shock	
3,333,492	A	8/1967	Chapman	
5,146,717	A	9/1992	Shemesh et al.	
5,492,040	A *	2/1996	Bellas	81/125.1
D386,955	S *	12/1997	Jones et al.	D8/25
D434,294	S *	11/2000	Bernel	D8/29
D487,681	S *	3/2004	Hsien	D8/21
6,895,837	B2 *	5/2005	Hsien	81/125.1
7,024,969	B2 *	4/2006	Smith	81/177.2

FIG. 5 is a diagrammatic elevational view taken in the direction of arrows 4 in FIGS. 1 and 4;

FIG. 6 is a diagrammatic top elevational view thereof, it being understood that the bottom elevational view is a mirror image;

FIG. 7 is a diagrammatic front elevational view thereof, it being understood that the back elevational view is a mirror image;

FIG. 8 is a diagrammatic end elevational view taken in the direction of arrows 8 in FIG. 4; and,

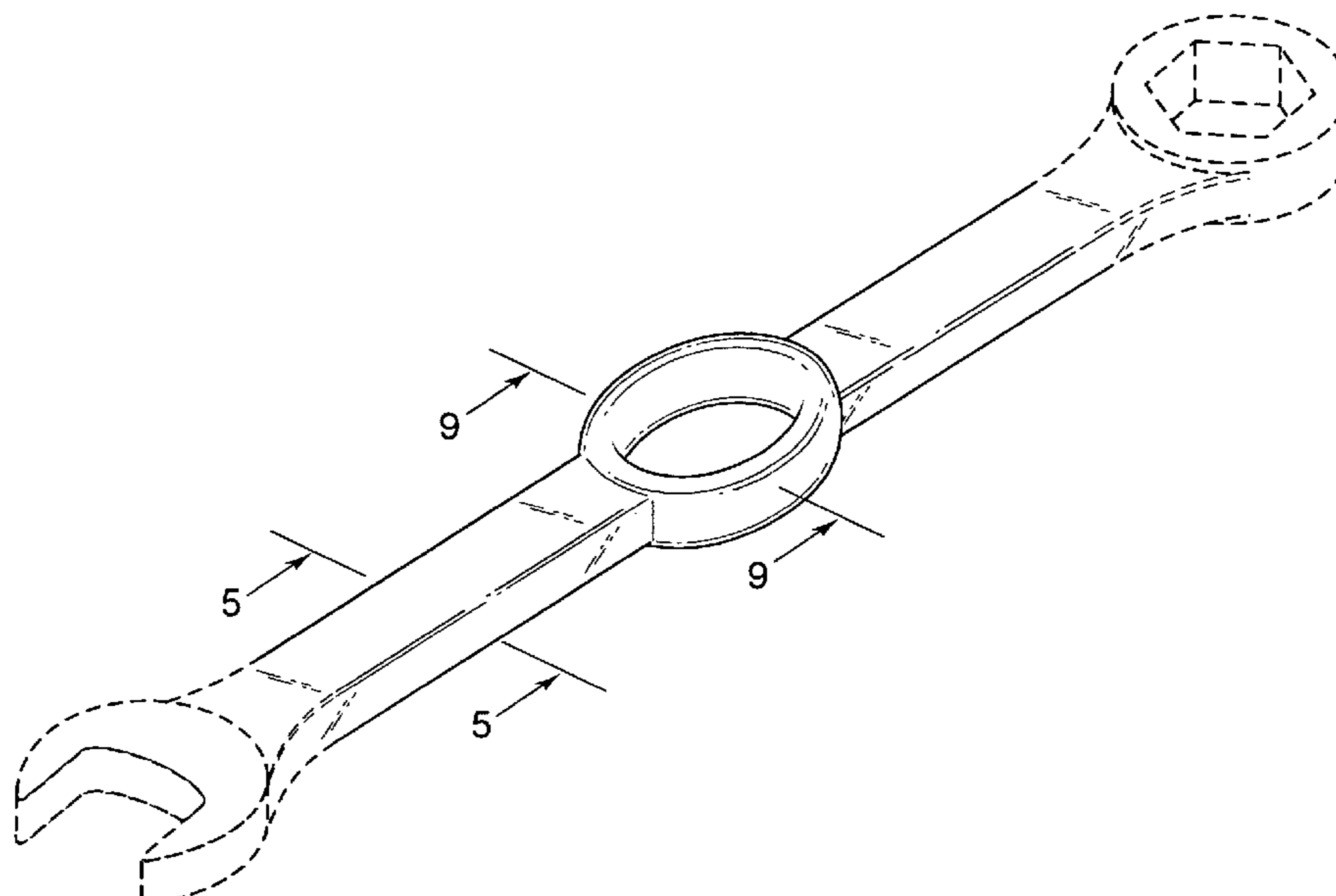
FIG. 9 is a diagrammatic cross sectional view taken in the direction of arrows 9 in FIGS. 1 and 4.

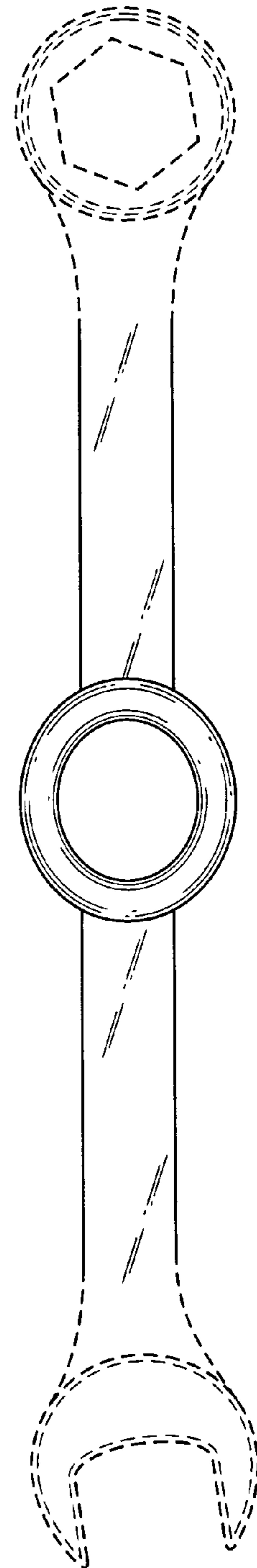
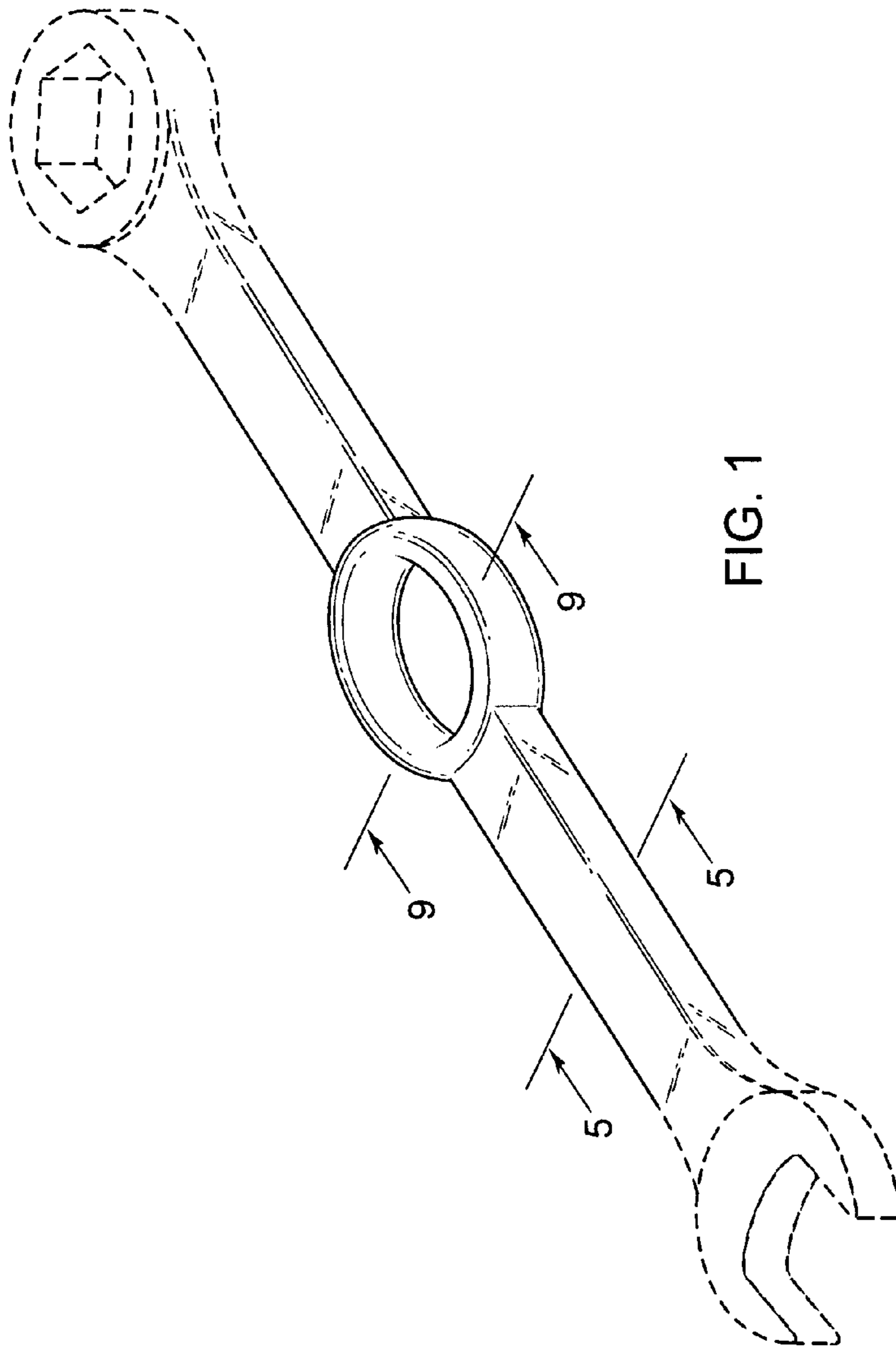
The broken lines showing the end portions of the in FIGS. 1, 2, 3, 4, 6, 7, and 8 are for environmental purposes only and form no part of the claimed design.

* cited by examiner

Primary Examiner—Philip S Hyder
Assistant Examiner—Randall H Gholson

1 Claim, 4 Drawing Sheets





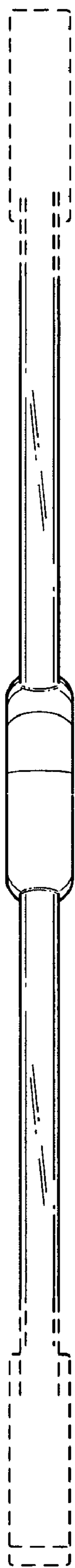


FIG. 3



FIG. 5

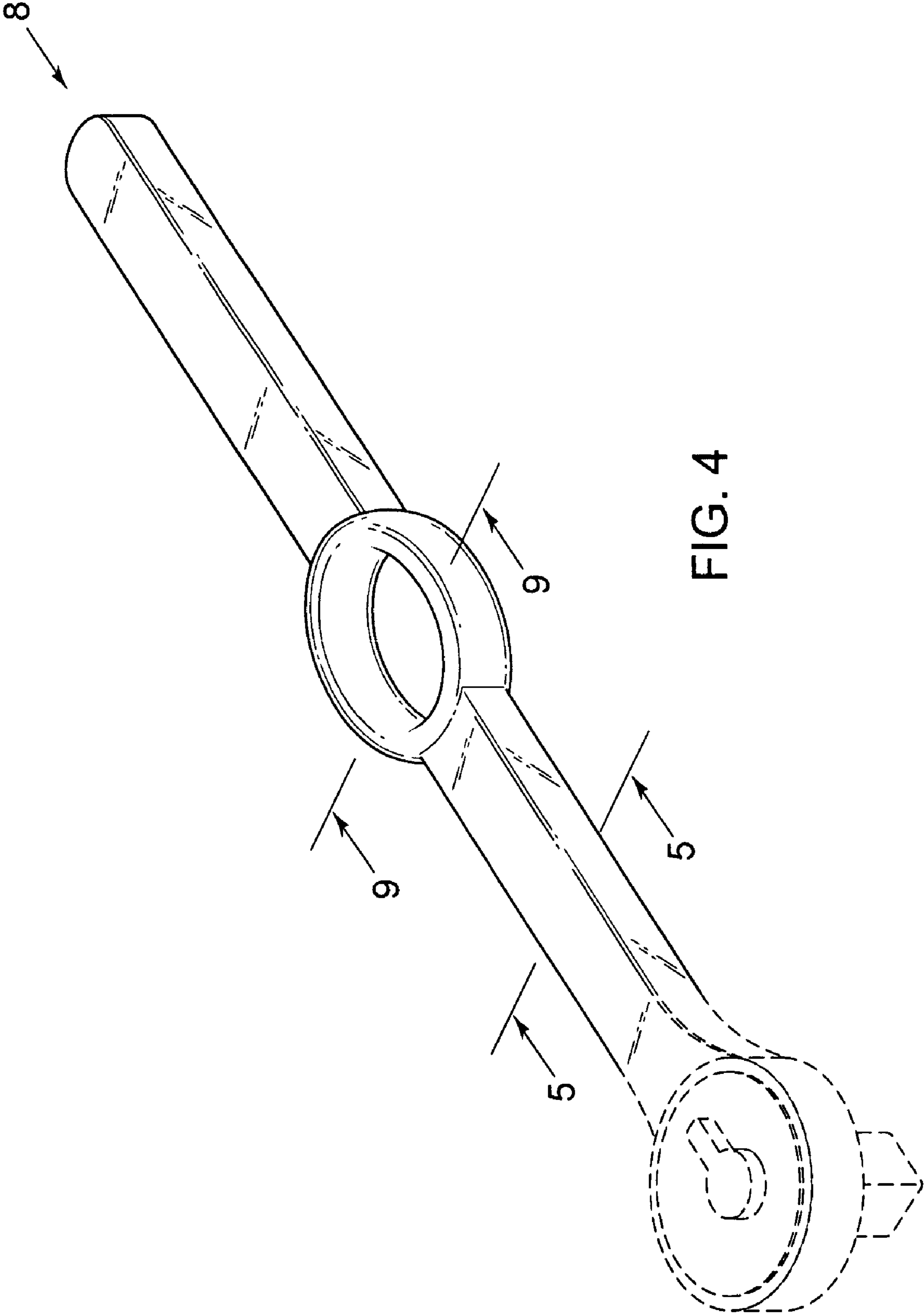


FIG. 4

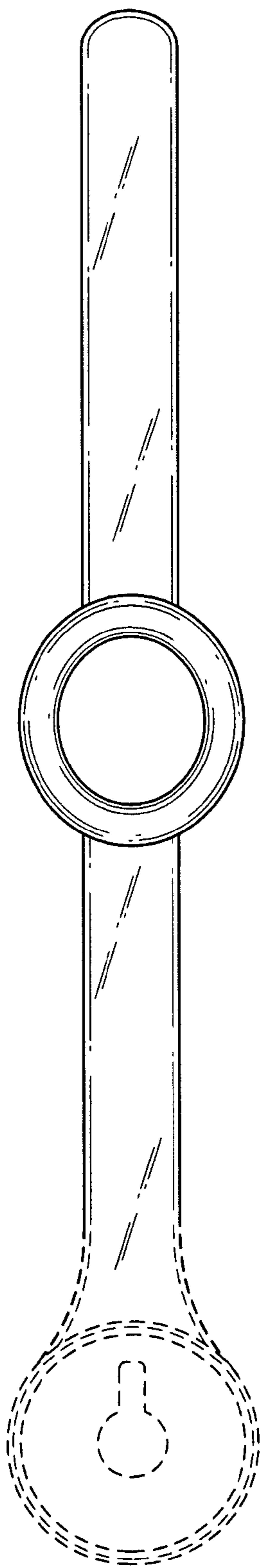


FIG. 6

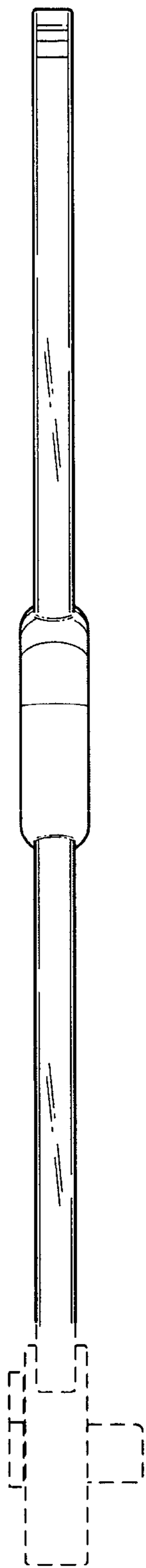


FIG. 7

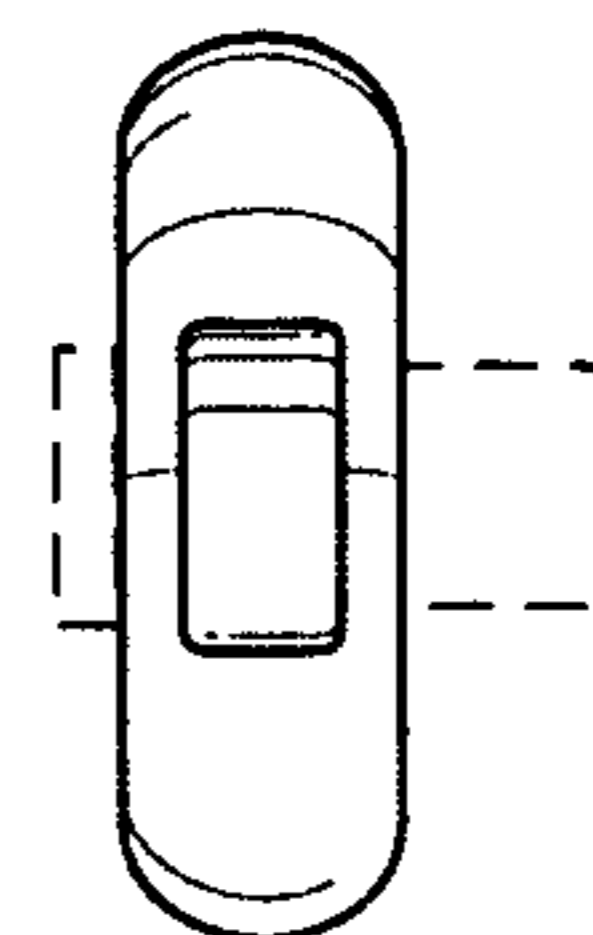


FIG. 8

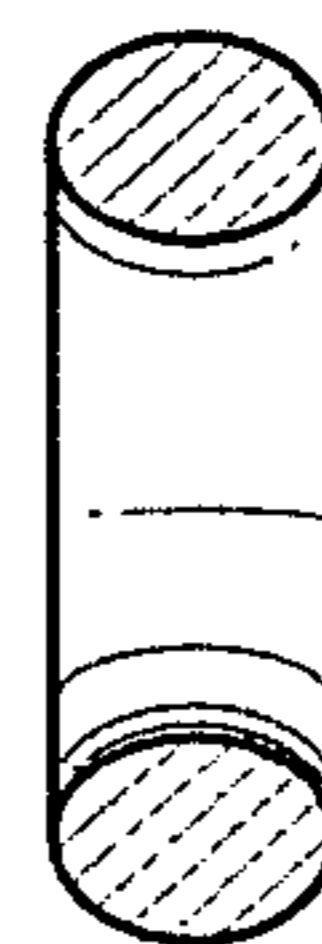


FIG. 9