



US00D603234S

(12) **United States Design Patent**
Lin

(10) **Patent No.:** **US D603,234 S**
(45) **Date of Patent:** **** Nov. 3, 2009**

(54) **RATCHET WRENCH WITH ADJUSTABLE WORKING ANGLE**

(76) **Inventor:** **Fen-Ling Lin**, No. 7, Lane 28, Zihciang S. St., Fongyuan City, Taichung County 420 (TW)

(**) **Term:** **14 Years**

(21) **Appl. No.:** **29/338,789**

(22) **Filed:** **Jun. 18, 2009**

(30) **Foreign Application Priority Data**

Jan. 13, 2009 (TW) 98200578

(51) **LOC (9) Cl.** **08-05**

(52) **U.S. Cl.** **D8/25**

(58) **Field of Classification Search** D8/21-30;
81/60, 177.1, 177.85, 121.1, 124.3, 165-170,
81/110.1, 176.2, 124.6, 176.1, 176.15, 177.2;
16/110.1; D15/144.1; 219/75, 227, 229,
219/121.16, 121.18

See application file for complete search history.

(56) **References Cited**

U.S. PATENT DOCUMENTS

1,890,213 A * 12/1932 Cameron et al. 140/119
2,500,835 A * 3/1950 Lang 81/61
D351,770 S * 10/1994 Stone D8/22
D402,867 S * 12/1998 Macor D8/25
D475,260 S * 6/2003 Hillinger et al. D8/25

D525,494 S * 7/2006 Hsieh D8/27
D576,457 S * 9/2008 Chen D8/27
D577,969 S * 10/2008 Yang D8/27
2002/0104410 A1 * 8/2002 Wang 81/177.1

* cited by examiner

Primary Examiner—Raphael Barkai
Assistant Examiner—Randall H Gholson
(74) *Attorney, Agent, or Firm*—Banger Shia

(57) **CLAIM**

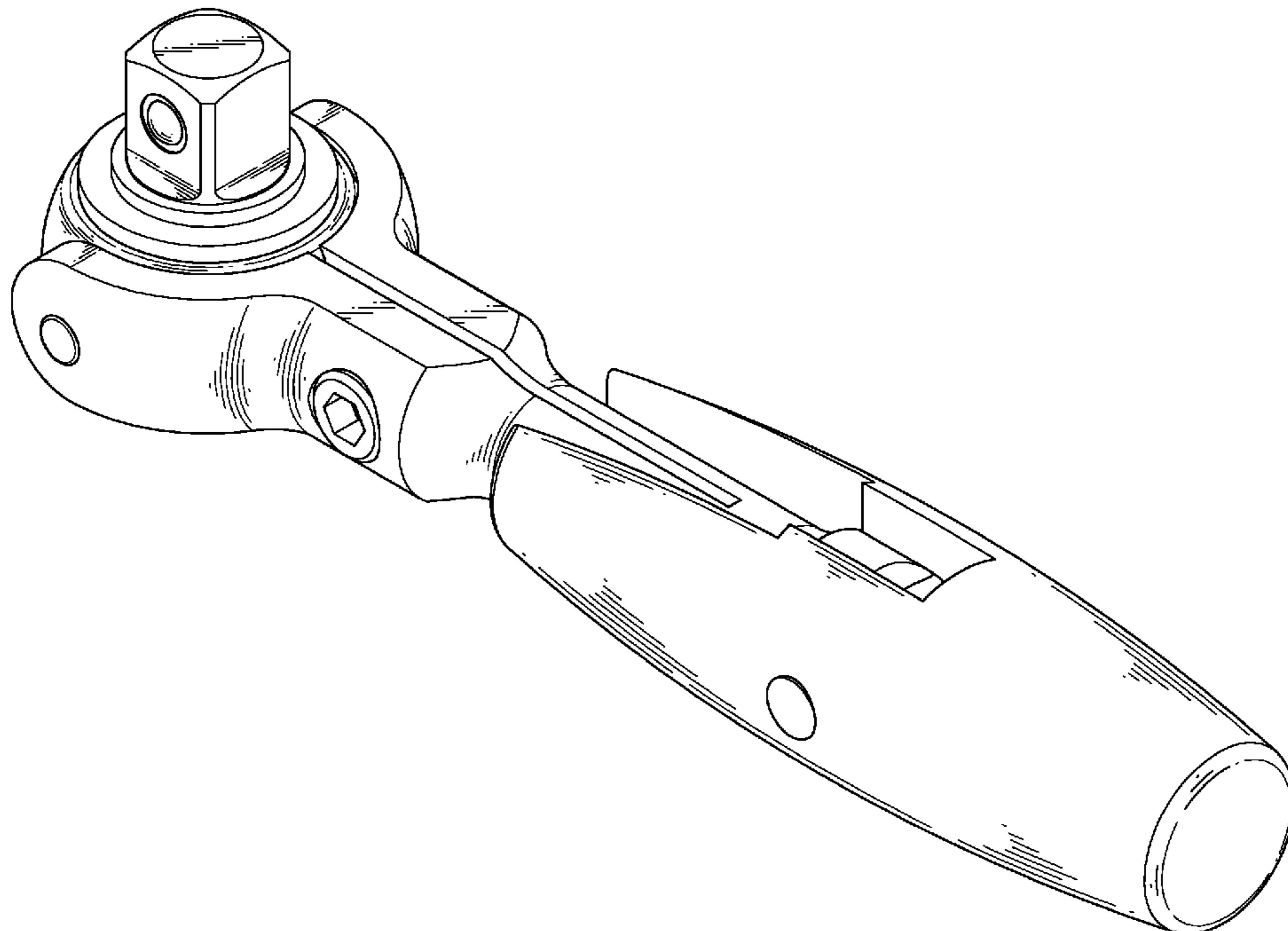
The ornamental design for a ratchet wrench with adjustable working angle, as shown and described.

DESCRIPTION

FIG. 1 is a perspective view of a ratchet wrench with adjustable working angle showing my new design;
FIG. 2 is a front elevational view thereof;
FIG. 3 is a rear elevational view thereof;
FIG. 4 is a left side elevational view thereof;
FIG. 5 is a right side elevational view thereof;
FIG. 6 is a top plan view thereof;
FIG. 7 is a bottom plan view thereof; and,
FIG. 8 is a second front elevational view thereof.

The broken lines shown in FIG. 8 are included for the purpose of illustrating the adjustable nature of my design and form no part of the claimed design.

1 Claim, 7 Drawing Sheets



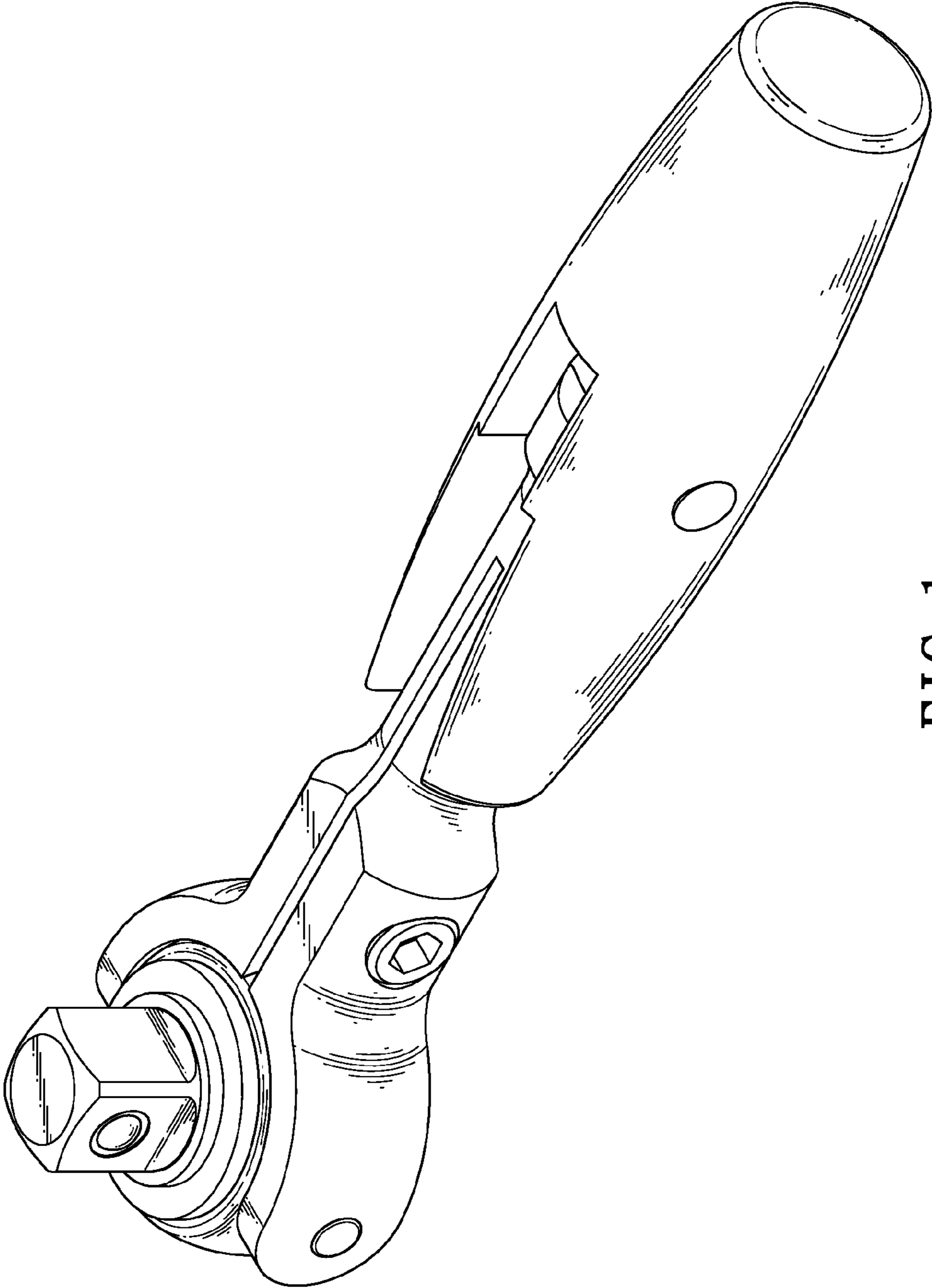


FIG. 1

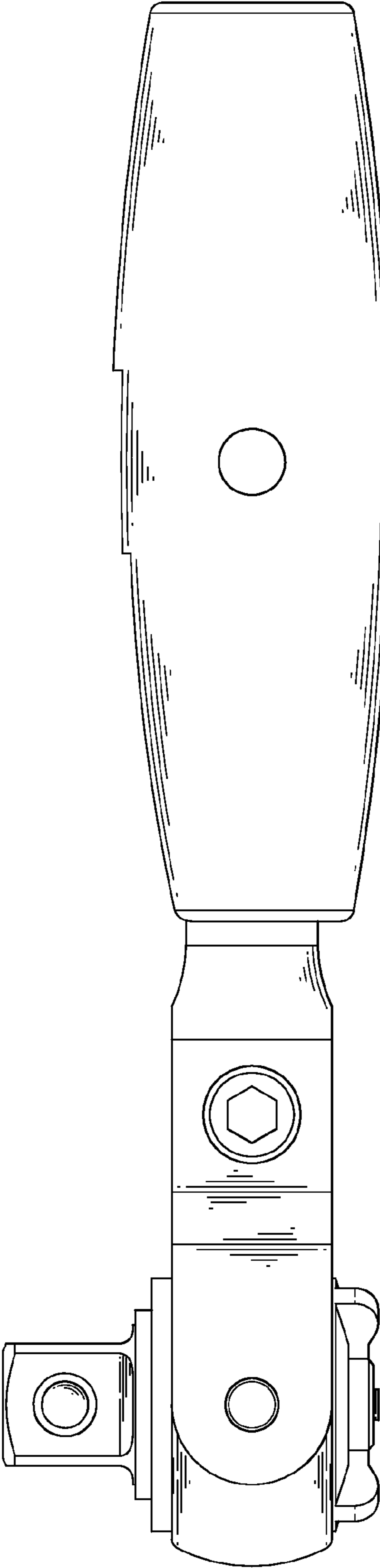


FIG. 2

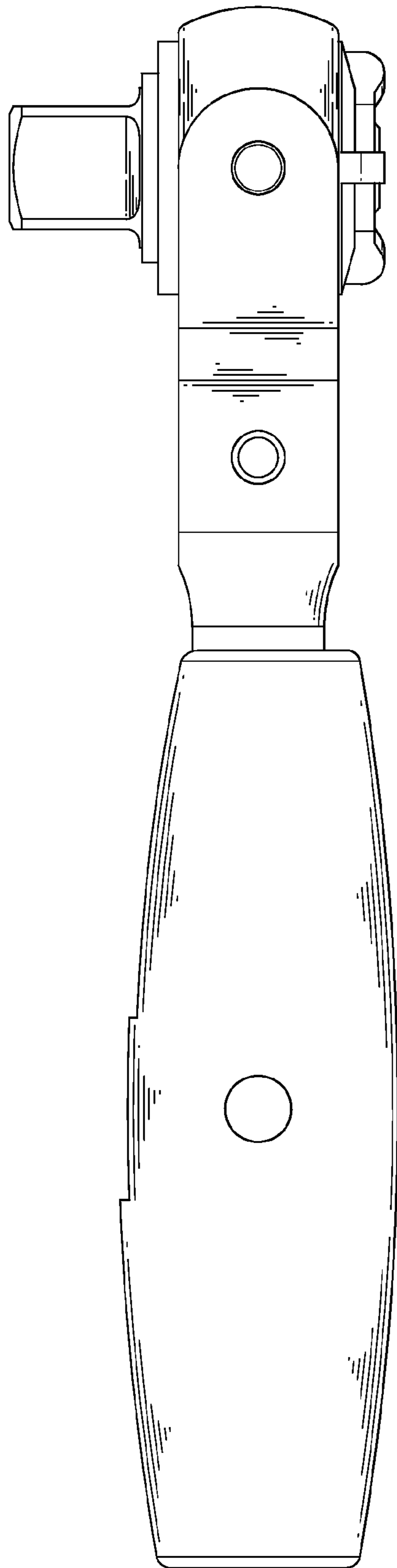


FIG. 3

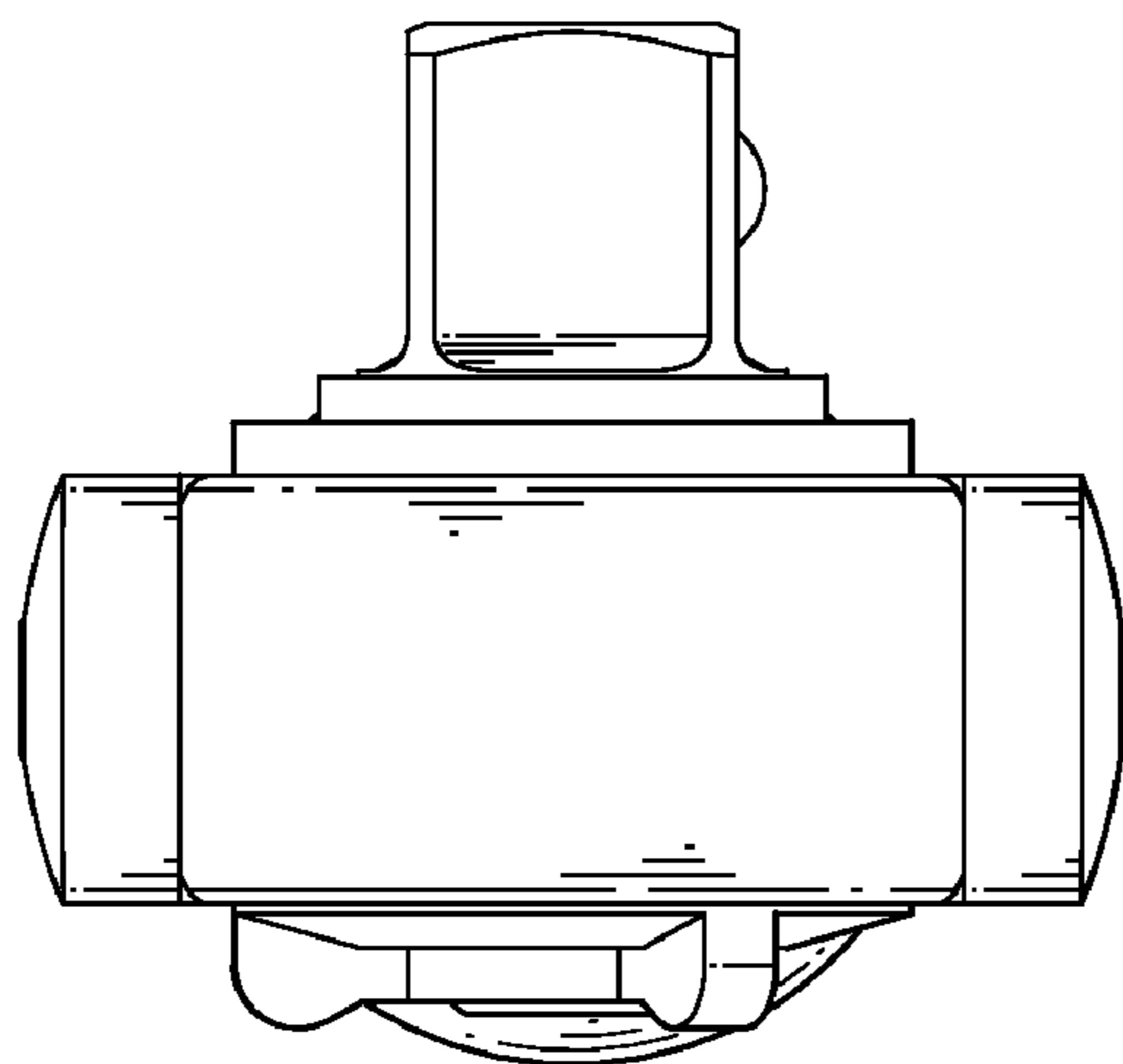


FIG. 4

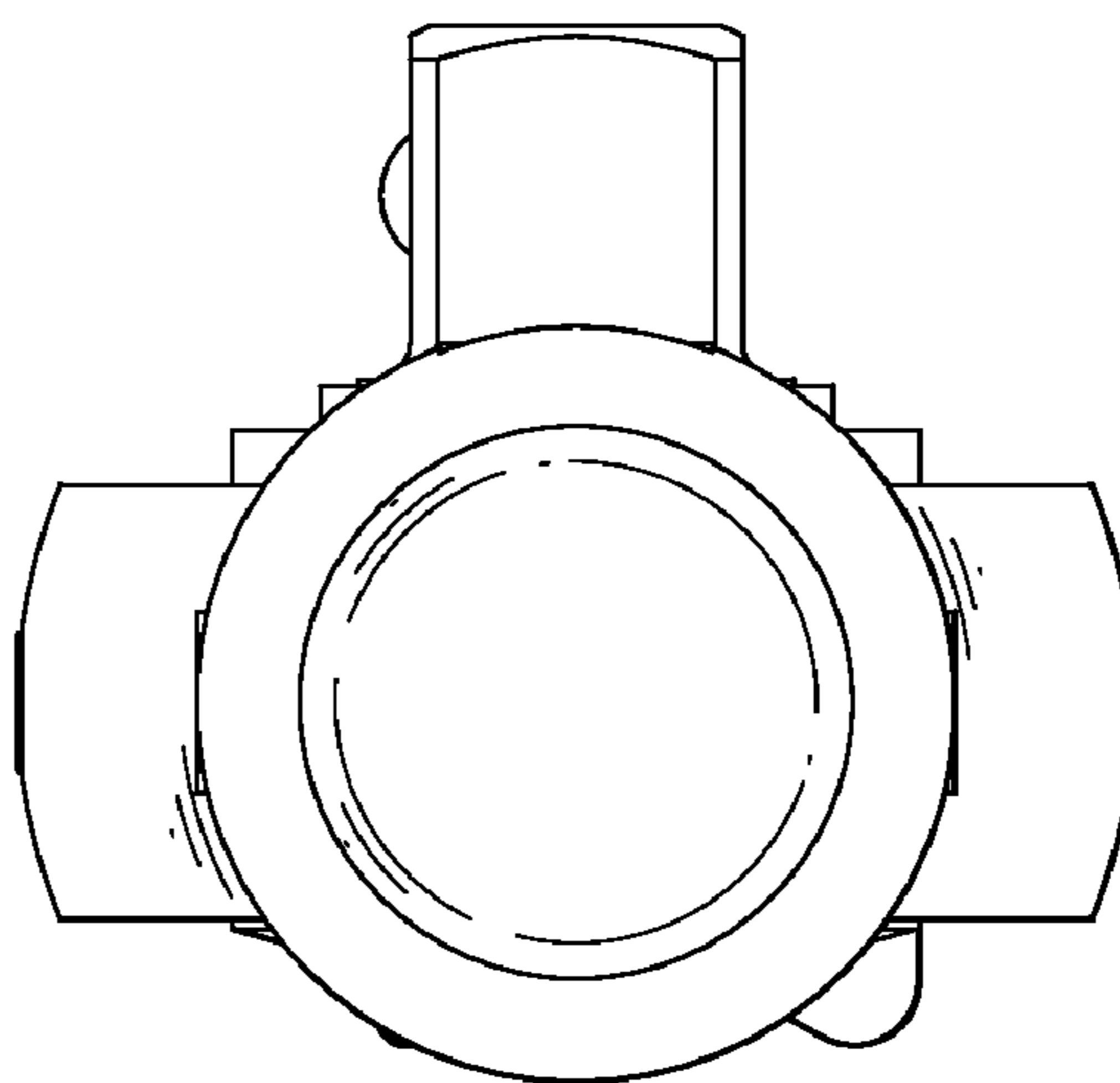


FIG. 5

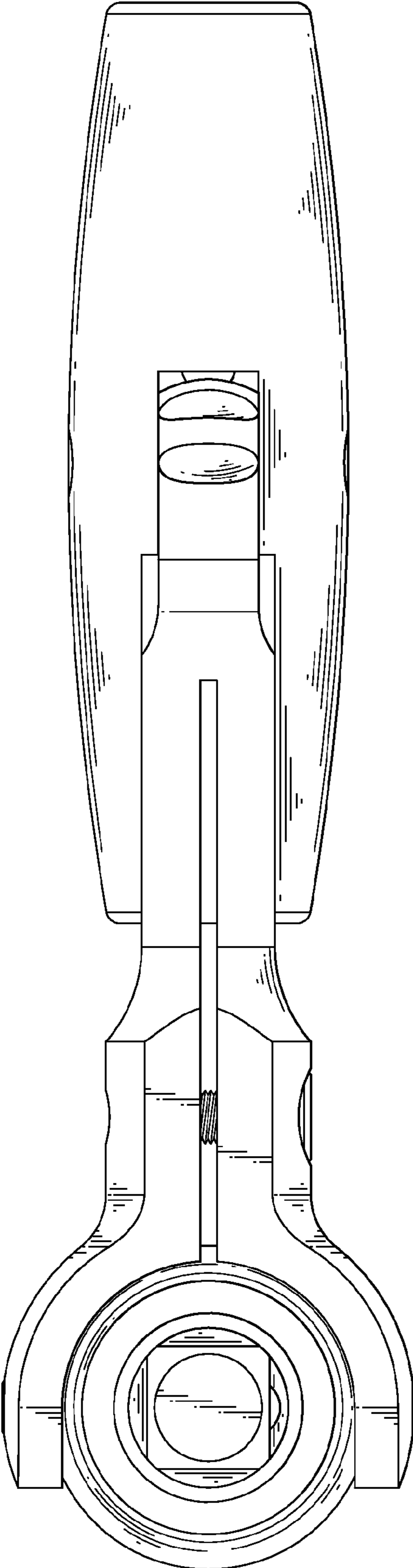


FIG. 6

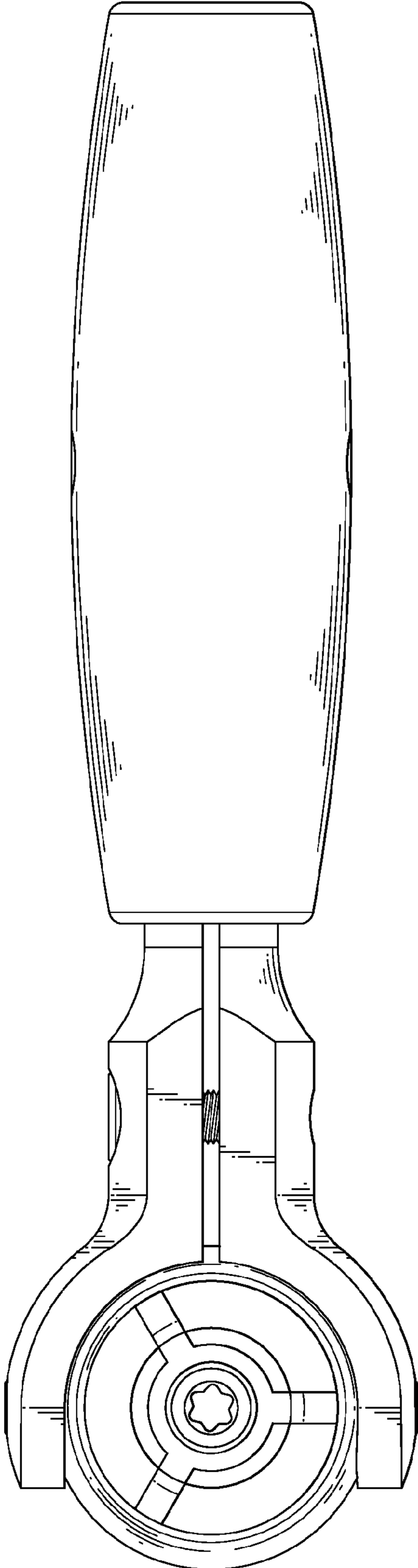


FIG. 7

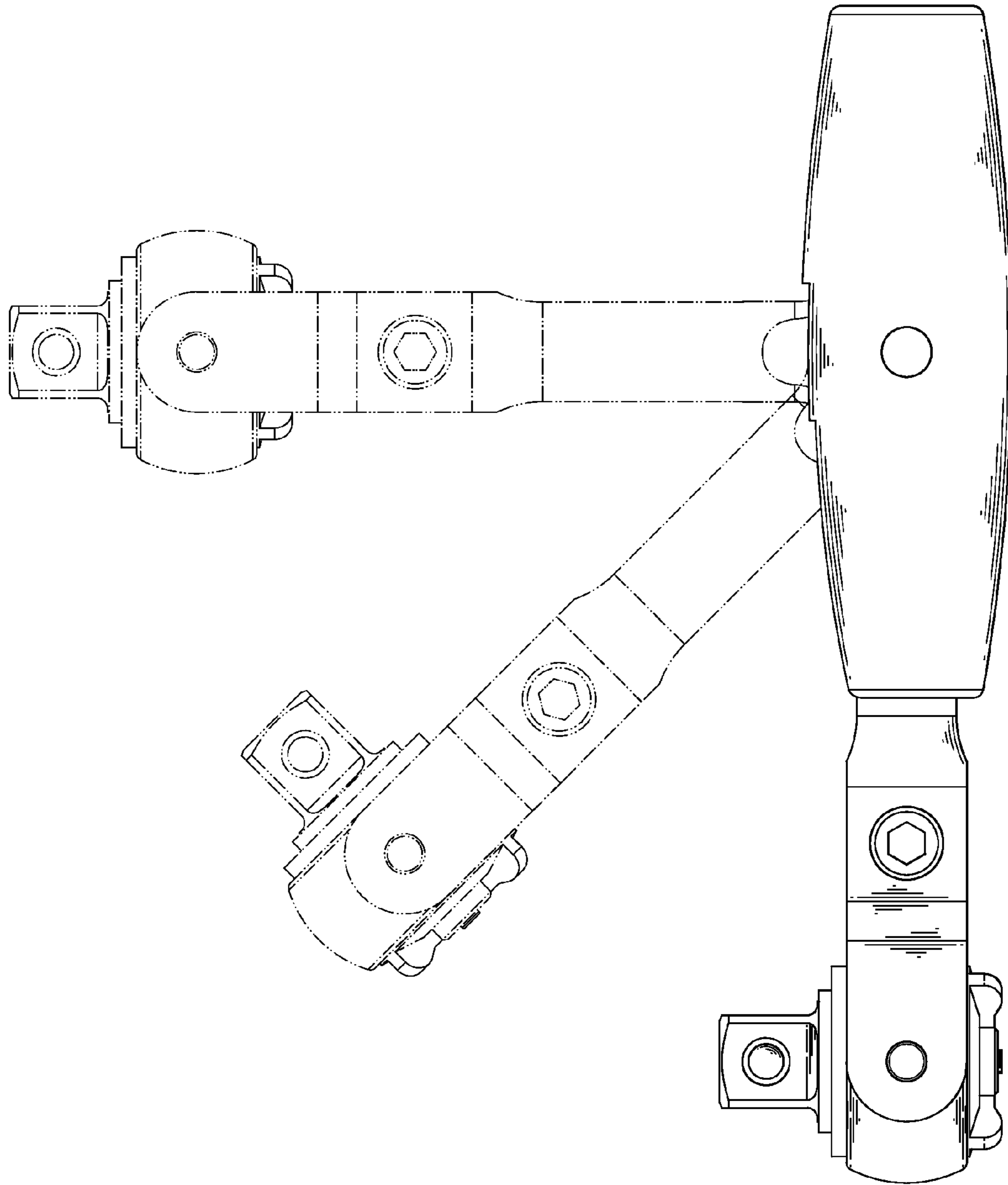


FIG. 8