



US00D603233S

(12) **United States Design Patent**
Beckham

(10) **Patent No.:** **US D603,233 S**

(45) **Date of Patent:** **** Nov. 3, 2009**

(54) **BUSHING WRENCH**

D527,961 S * 9/2006 Mork D8/21

(76) Inventor: **Scott Beckham**, 271 Mesa Dr., Costa Mesa, CA (US) 92627

* cited by examiner

Primary Examiner—Raphael Barkai
Assistant Examiner—Randall H Gholson
(74) *Attorney, Agent, or Firm*—G. Donald Weber, Jr.

(**) Term: **14 Years**

(21) Appl. No.: **29/314,841**

(57) **CLAIM**

(22) Filed: **May 5, 2009**

The ornamental design for a bushing wrench, as shown and described.

(51) **LOC (9) Cl.** **08-05**

(52) **U.S. Cl.** **D8/21**

(58) **Field of Classification Search** D8/17,
D8/21-29, 105-108; 81/60, 177.1, 177.85,
81/121.1, 124.3, 165-170, 110.1, 176.2,
81/124.6, 176.1, 176.15, 177.2; 16/110.1;
D15/144.1; 219/75, 227, 229, 121.16, 121.18
See application file for complete search history.

DESCRIPTION

FIG. 1 is a front perspective view of the bushing wrench of the instant invention.

FIG. 2 is a rear perspective view of the instant invention.

FIG. 3 is a front view of the instant invention.

FIG. 4 is rear view of the instant invention.

FIG. 5 is a right side view of the instant invention as shown in FIG. 3.

FIG. 6 is a left side view of the instant invention as shown in FIG. 3.

FIG. 7 is the top view of the instant invention; and,

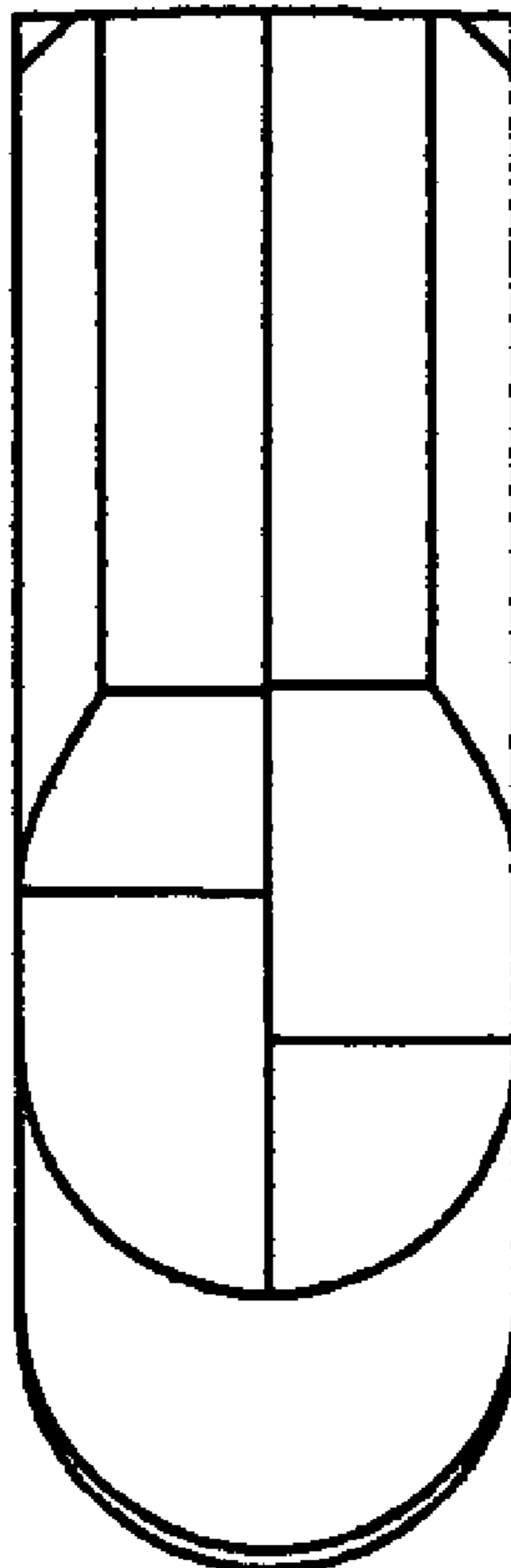
FIG. 8 is the bottom view of the instant invention.

(56) **References Cited**

U.S. PATENT DOCUMENTS

2,705,433	A *	4/1955	Goldman	81/125.1
2,716,367	A *	8/1955	Montgomery	81/124.3
4,509,784	A *	4/1985	Vollers	294/99.1
D304,668	S *	11/1989	Strock	D8/17
6,276,240	B1 *	8/2001	Blacklock	81/119
D467,777	S *	12/2002	Van Horn et al.	D8/27
D477,197	S *	7/2003	Yates	D8/21

1 Claim, 2 Drawing Sheets



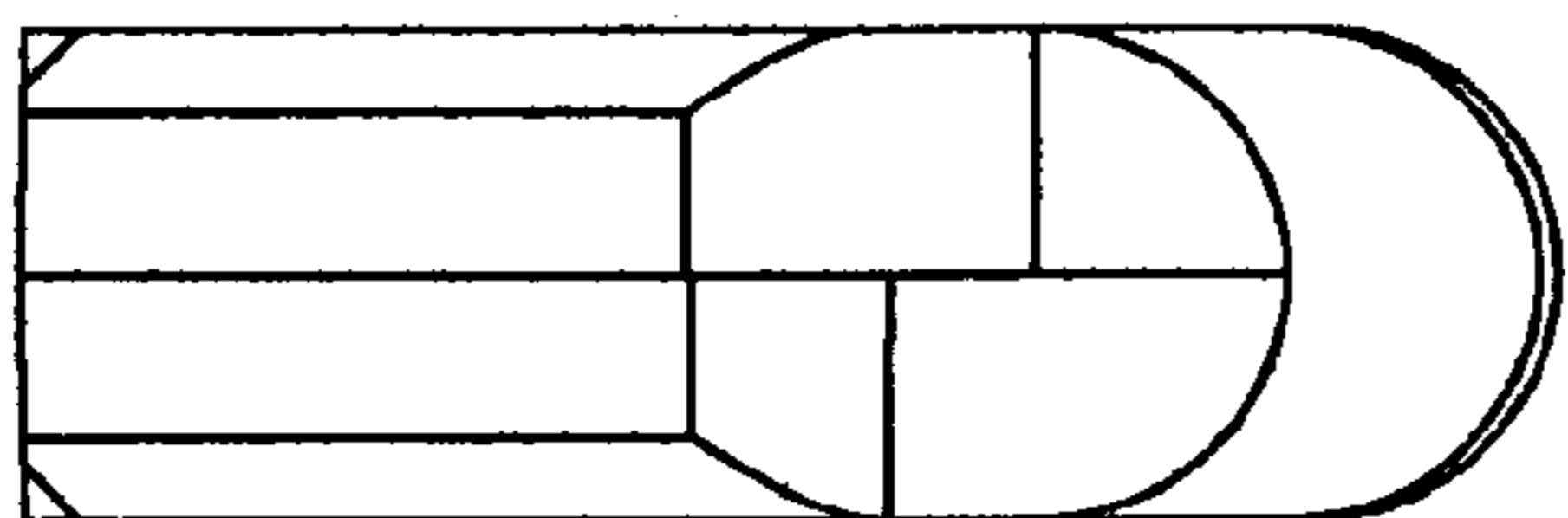


FIG. 7

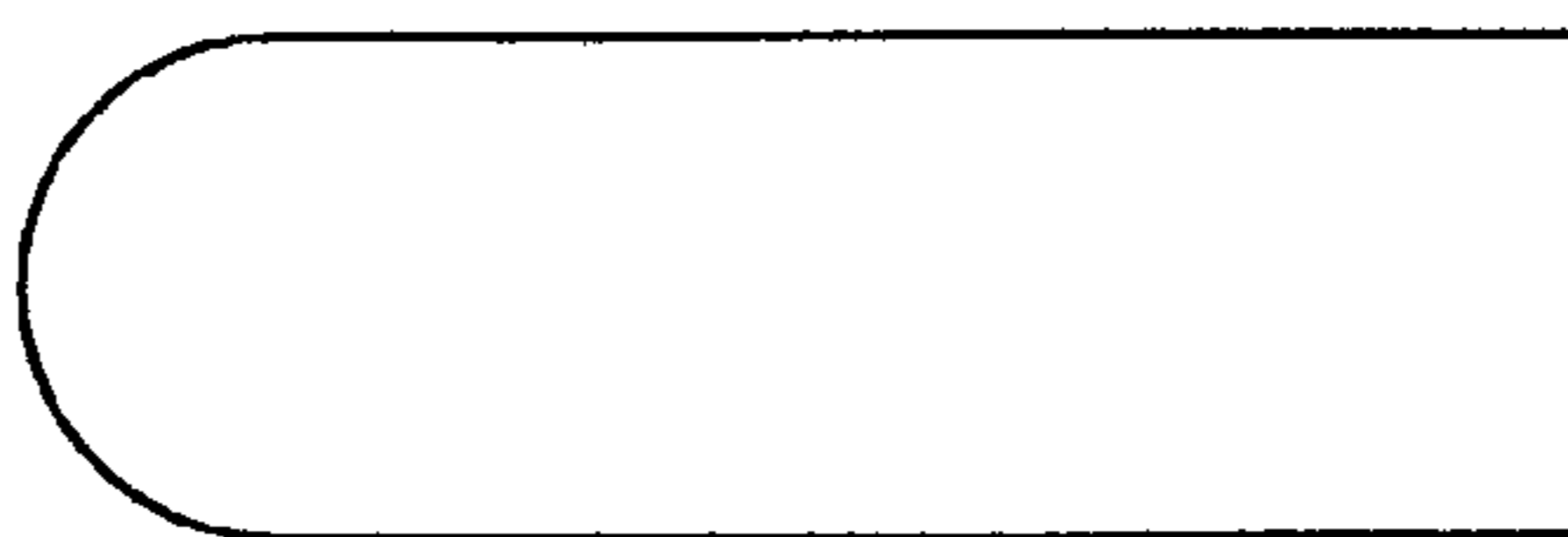


FIG. 8

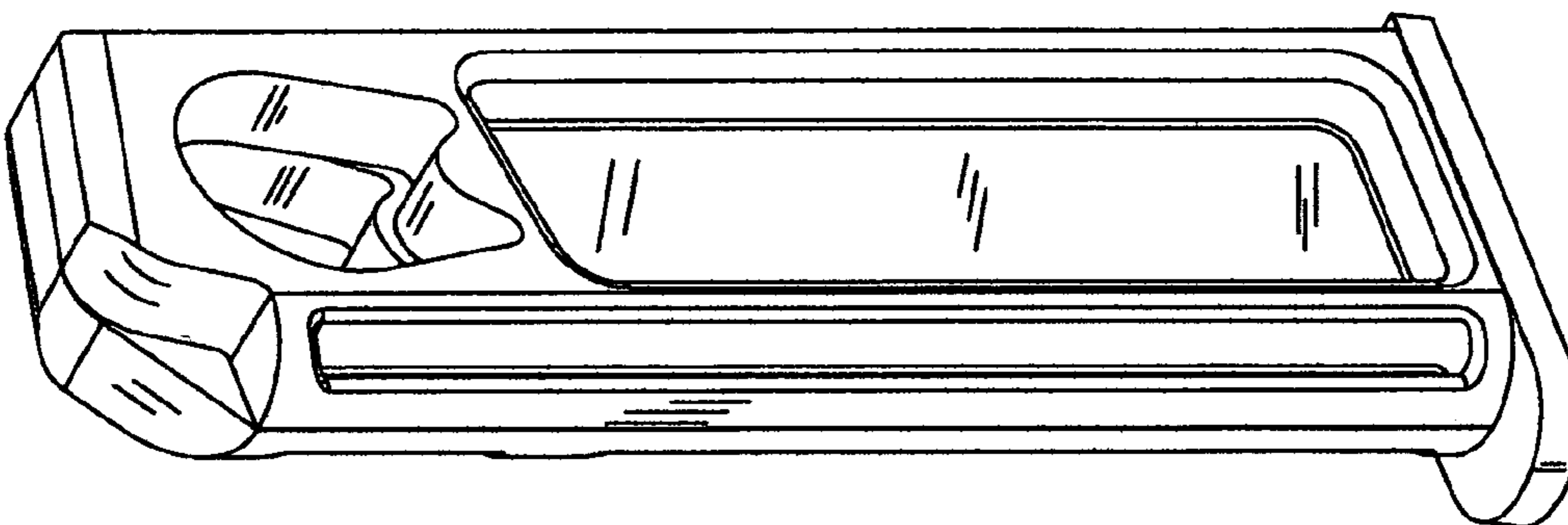


FIG. 2

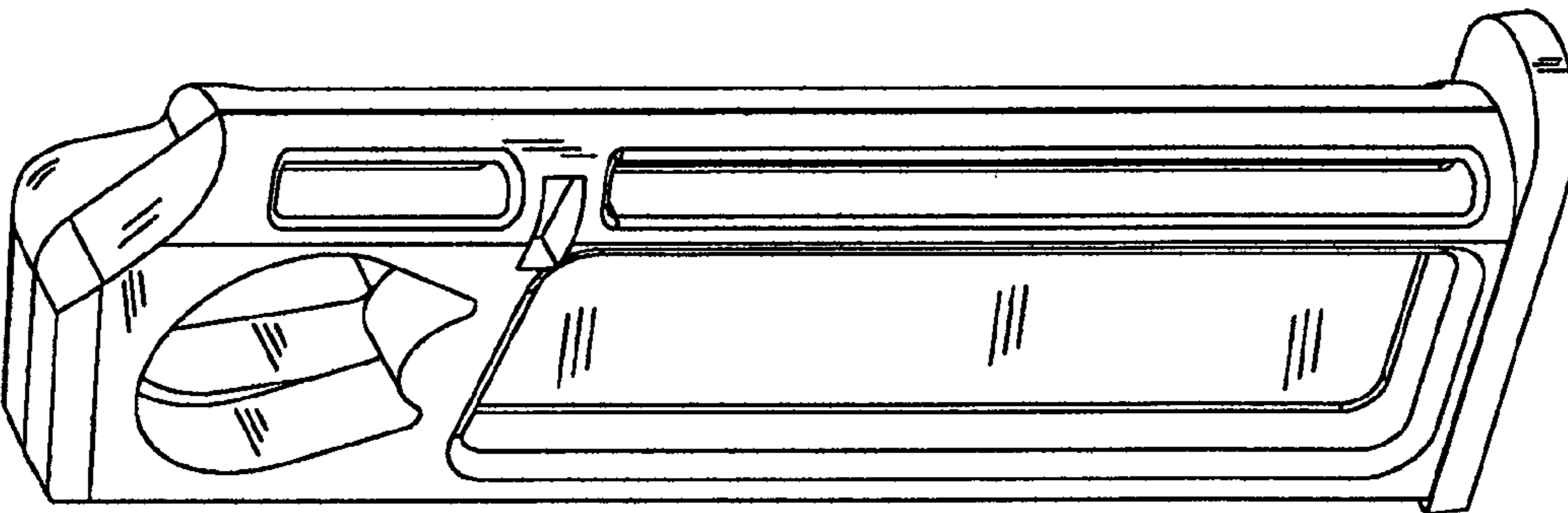


FIG. 1

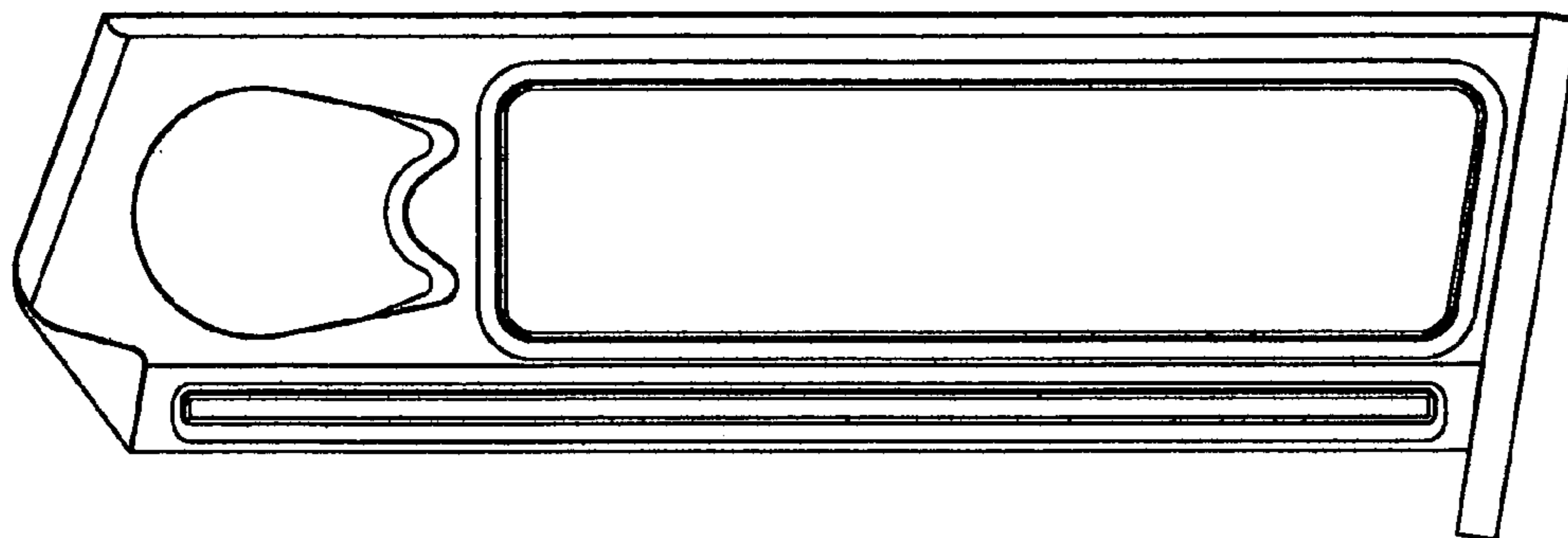


FIG. 4

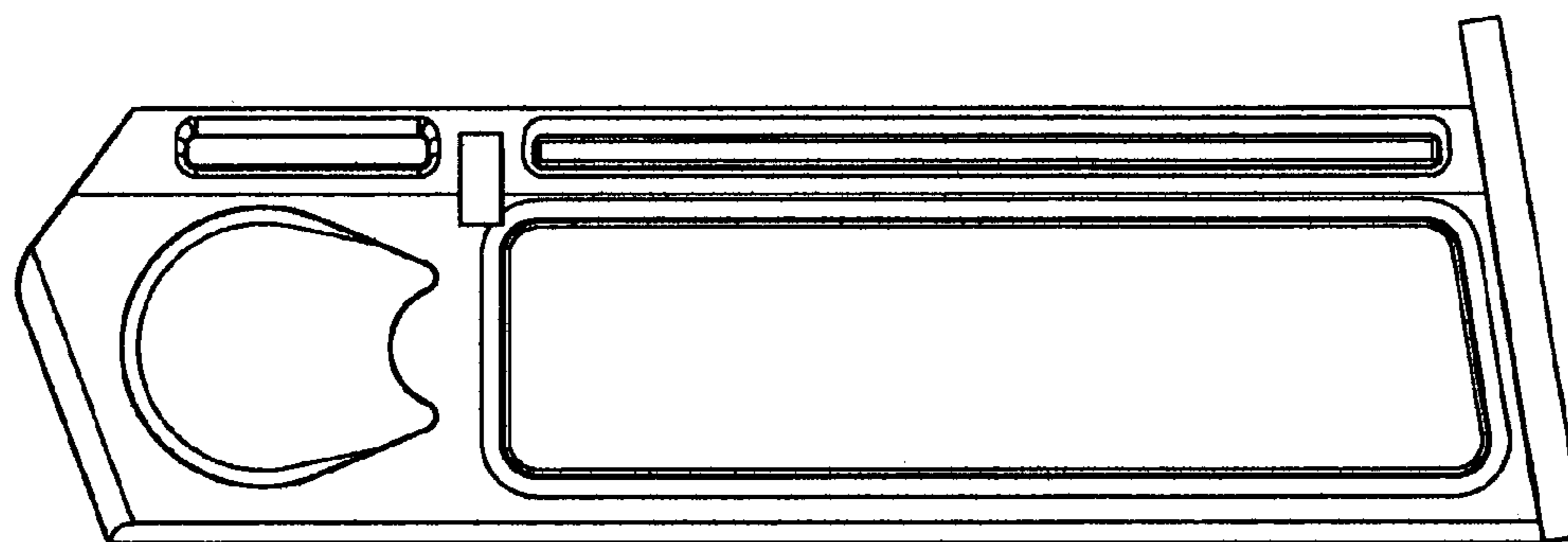


FIG. 3

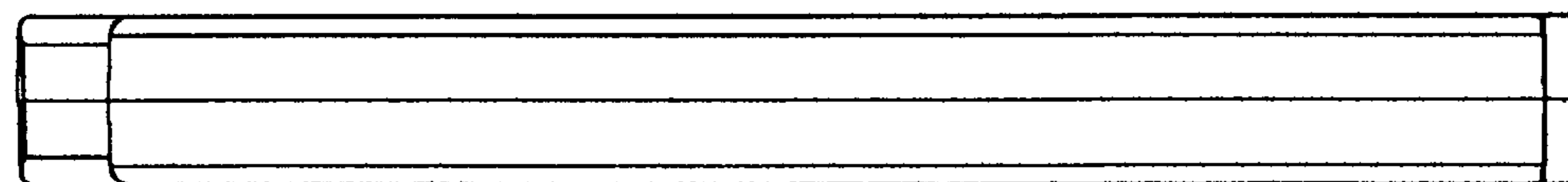


FIG. 6

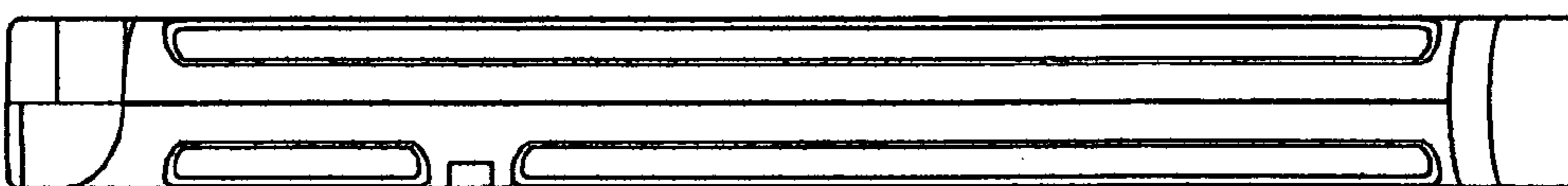


FIG. 5