



US00D603232S

(12) **United States Design Patent**
Gutowski et al.

(10) **Patent No.:** **US D603,232 S**

(45) **Date of Patent:** **** Nov. 3, 2009**

(54) **RAZOR KNIFE BLADE**

(76) Inventors: **Daniel J. Gutowski**, 9753 Easton Rd.,
Dexter, MI (US) 48130; **David E.**
Hyslop, 5299 Vaughn Rd., Dexter, MI
(US) 48130

(**) Term: **14 Years**

(21) Appl. No.: **29/320,728**

(22) Filed: **Jul. 2, 2008**

(51) **LOC (9) Cl.** **08-03**

(52) **U.S. Cl.** **D8/20**

(58) **Field of Classification Search** D8/16,
D8/18-20, 64, 95-104; D22/117, 118; 7/118,
7/148; 30/142, 144, 165, 166.3, 272.1, 314,
30/320, 346, 346.5, 346.55, 346.56, 349,
30/351, 355-357

See application file for complete search history.

(56) **References Cited**

U.S. PATENT DOCUMENTS

5,438,757 A * 8/1995 Weschenfelder 30/139
5,806,189 A * 9/1998 Bailey 30/125
D400,067 S * 10/1998 Gold D8/20
D422,185 S * 4/2000 Gold D8/20

D580,241 S * 11/2008 Fraga et al. D8/20
2005/0144787 A1 * 7/2005 Macri 30/142
2007/0227012 A1 * 10/2007 Constantine et al. 30/162
2007/0283572 A1 * 12/2007 Saiz 30/272.1
2009/0106909 A1 * 4/2009 Tyers 7/118

* cited by examiner

Primary Examiner—Caron Veynar

Assistant Examiner—Garth Rademaker

(74) *Attorney, Agent, or Firm*—Steve M. Clemmons

(57) **CLAIM**

The ornamental design for a razor knife blade, as shown and described.

DESCRIPTION

FIG. 1 is a perspective view of a razor knife blade showing our new design;

FIG. 2 is a side view of the razor knife blade, the opposite side being a mirror image thereof;

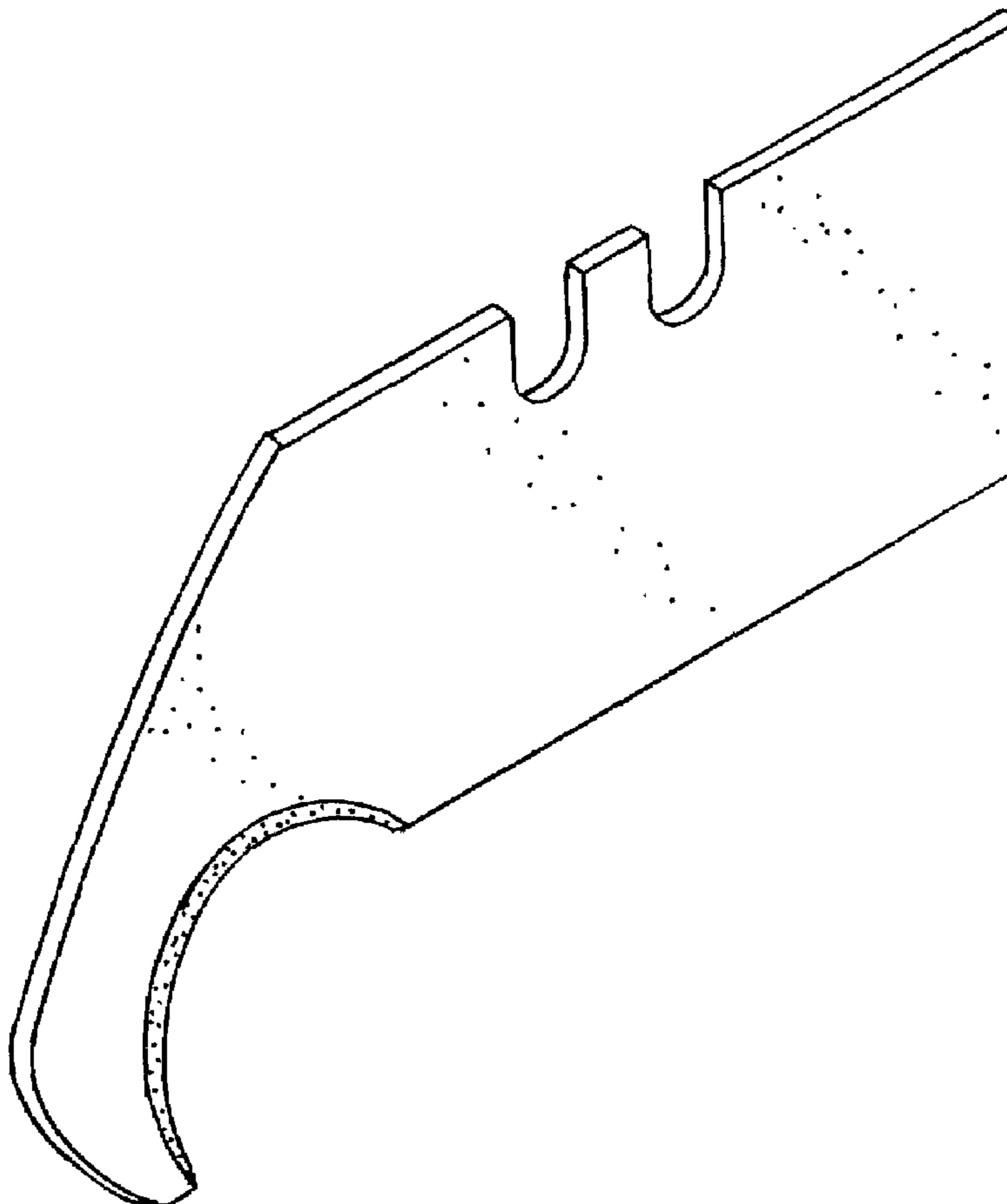
FIG. 3 is an top view of the razor knife blade;

FIG. 4 is a bottom view of the razor knife blade;

FIG. 5 is a front view of the razor knife blade; and,

FIG. 6 is a rear view of the razor knife blade.

1 Claim, 1 Drawing Sheet



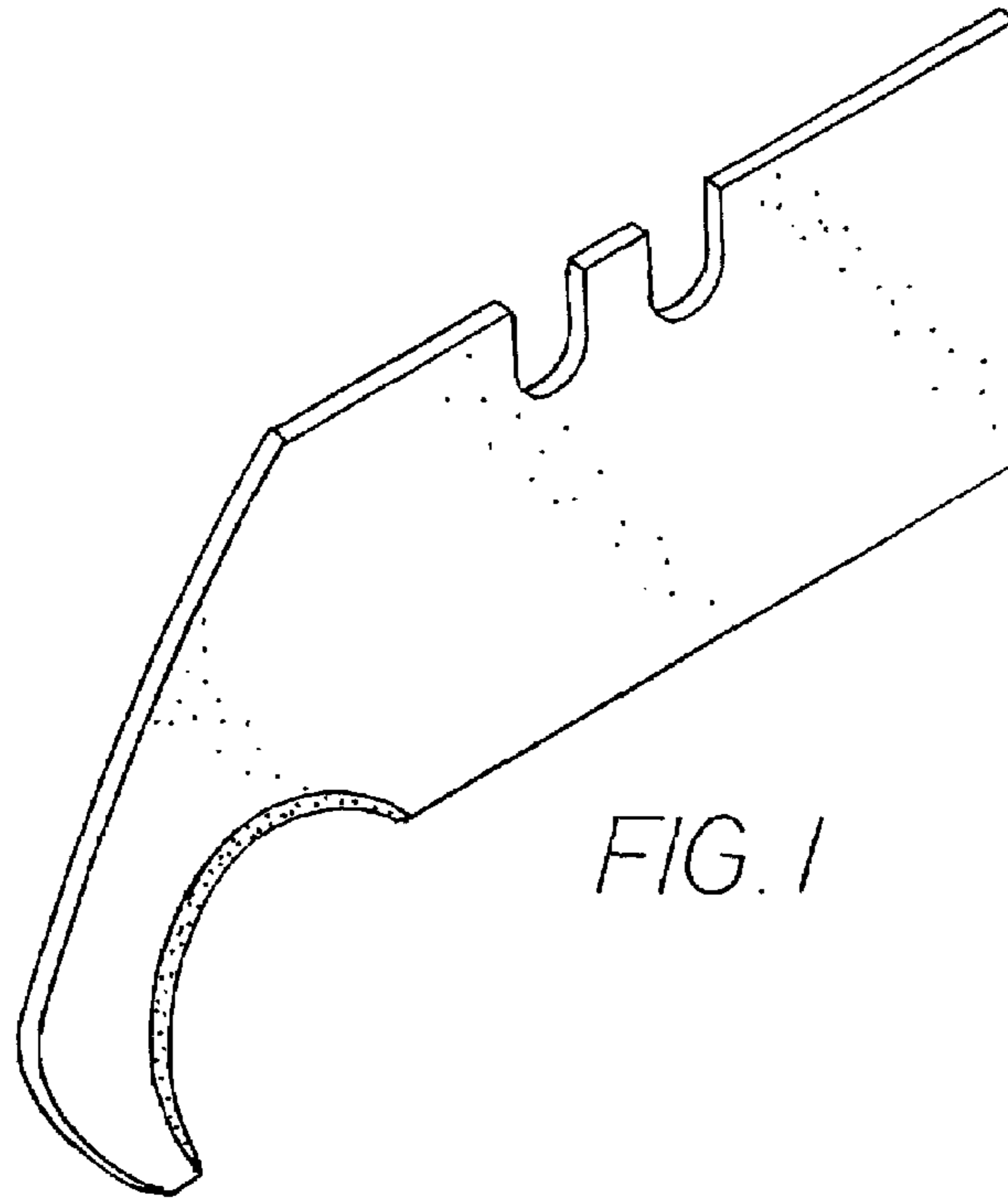


FIG. 1



FIG. 3

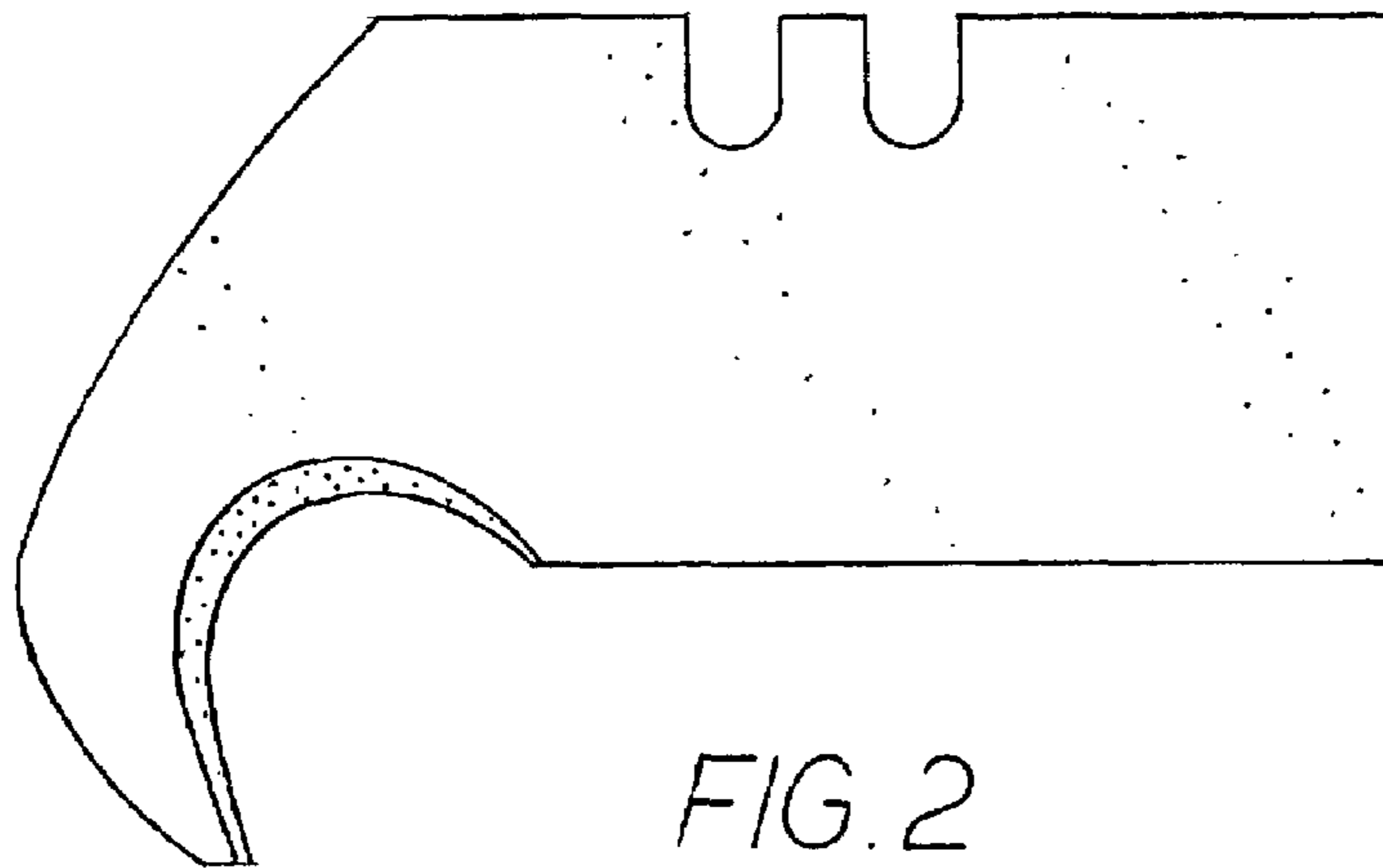


FIG. 2



FIG. 5

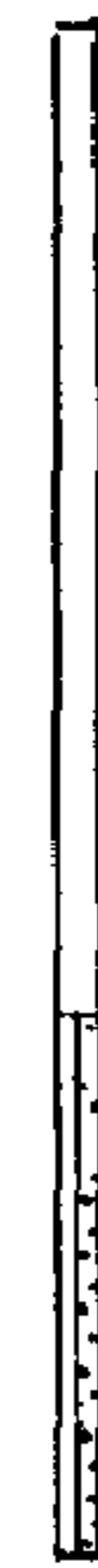


FIG. 6



FIG. 4