



US00D603229S

(12) **United States Design Patent**  
**Atnip et al.**

(10) **Patent No.:** **US D603,229 S**  
(45) **Date of Patent:** **\*\* Nov. 3, 2009**

(54) **SHOVEL HANDLE**

(75) Inventors: **Timothy Edward Atnip**, Temecula, CA (US); **Kevin Wong**, Lake Elsinore, CA (US); **Philip Curtis Rogers**, Temecula, CA (US); **Hyok Lee**, Corona, CA (US); **Stephen James Hull**, Chandler, AZ (US); **Jason D. Veltz**, Laguna Hills, CA (US); **Moises Ramirez**, Corona, CA (US)

(73) Assignee: **Corona Clipper, Inc.**, Corona, CA (US)

(\*\*) Term: **14 Years**

(21) Appl. No.: **29/329,953**

(22) Filed: **Dec. 23, 2008**

(51) **LOC (9) Cl.** ..... **08-01**

(52) **U.S. Cl.** ..... **D8/10**

(58) **Field of Classification Search** ..... D8/10;  
294/54.5, 49, 51, 53.5, 55

See application file for complete search history.

(56) **References Cited**

U.S. PATENT DOCUMENTS

D413,774 S *	9/1999	Spear	.....	D8/10
D437,532 S *	2/2001	Petruzzelli	.....	D8/10
D486,043 S *	2/2004	Bennett	.....	D8/10
D527,960 S *	9/2006	Fortier	.....	D8/10
D533,754 S *	12/2006	Fortier	.....	D8/10
D534,045 S *	12/2006	Fortier	.....	D8/10
D584,582 S *	1/2009	Wong et al.	.....	D8/10
D596,906 S *	7/2009	Boies et al.	.....	D8/10

\* cited by examiner

*Primary Examiner*—Holly H Baynham

*Assistant Examiner*—Sheryl Lane

(57) **CLAIM**

The ornamental design for the shovel handle, as shown and described.

**DESCRIPTION**

FIG. 1 is a top view of the shovel handle of the claimed design.

FIG. 2 is a right side view of the shovel handle of the claimed design; the left side view being a mirror image.

FIG. 3 is a bottom view of the shovel handle of the claimed design.

FIG. 4 is a right end view of the shovel handle of the claimed design.

FIG. 5 is a left end view of the shovel handle of the claimed design.

FIG. 6 is top view of the shovel handle of the claimed design in an alternate environment.

FIG. 7 is a right side view of the shovel handle of the claimed design in an alternate environment; the left side being a mirror image.

FIG. 8 is a bottom view of the shovel handle of the claimed design in an alternate environment.

FIG. 9 is a right end view of the shovel handle of the claimed design in an alternate environment.

FIG. 10 is a left end view of the shovel handle of the claimed design in an alternate environment.

FIG. 11 is a top view of the shovel handle of the claimed design in an alternate environment.

FIG. 12 is a right side view of the shovel handle of the claimed design in an alternate environment; the left side being a mirror image.

FIG. 13 is a bottom view of the shovel handle of the claimed design in an alternate environment.

FIG. 14 is a right end view of the shovel handle of the claimed design in an alternate environment.

FIG. 15 is a left end view of the shovel handle of the claimed design in an alternate environment.

FIG. 16 is a top view of the shovel handle of the claimed design in an alternate environment.

FIG. 17 is a right side view of the shovel handle of the claimed design in an alternate environment; the left side being a mirror image.

FIG. 18 is a bottom view of the shovel handle of the claimed design in an alternate environment.

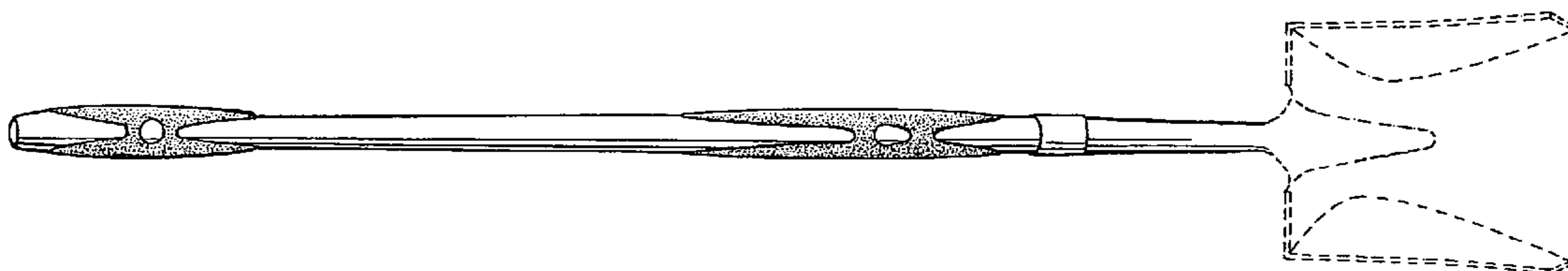


FIG. **19** is a right end view of the shovel handle of the claimed design in an alternate environment.

Fig. **20** is a left end view of the shovel handle of the claimed design in an alternate environment.

FIG. **21** is a top view of the shovel handle of the claimed design in an alternate environment.

FIG. **22** is a right side view of the shovel handle of the claimed design in an alternate environment; the left side being a mirror image.

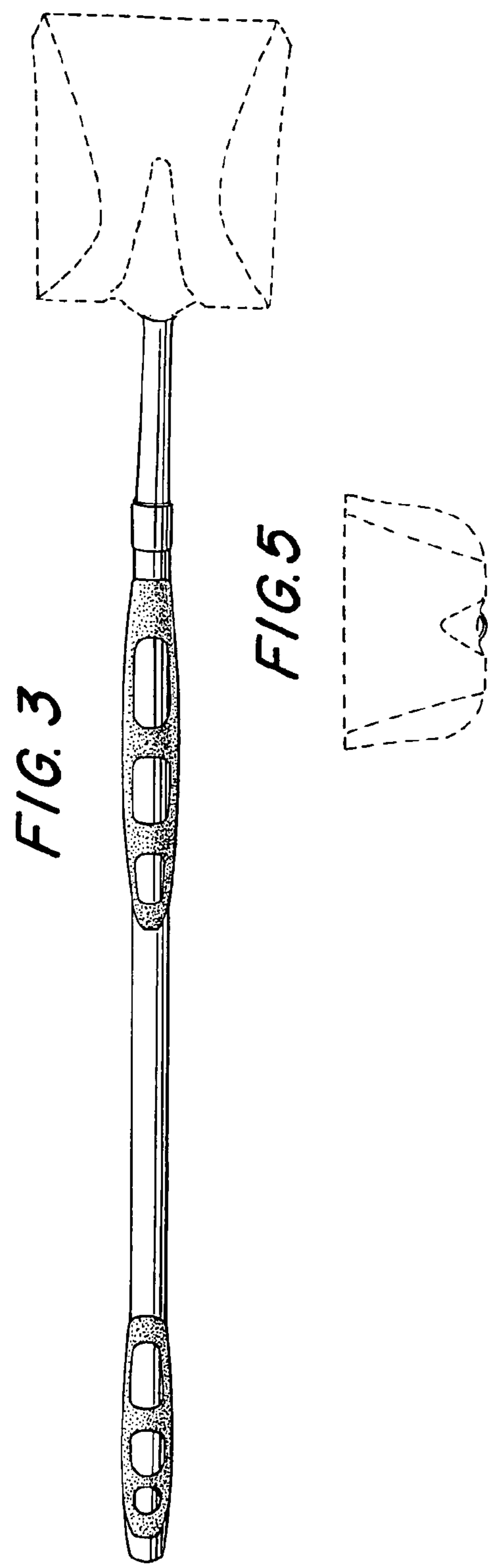
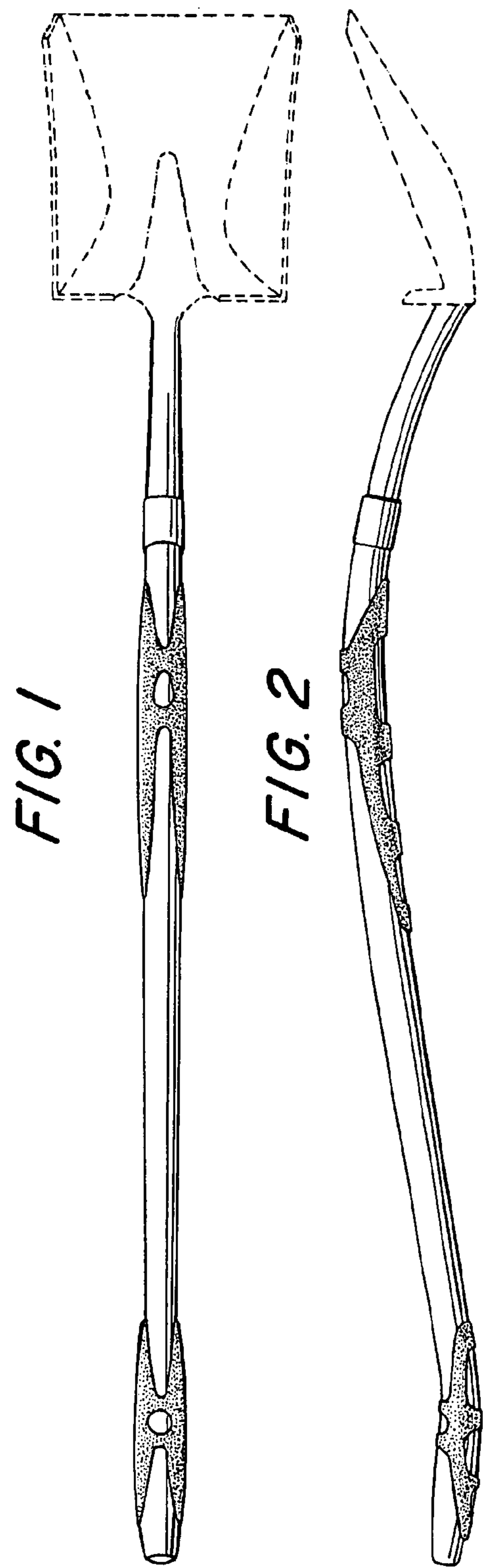
FIG. **23** is a bottom view of the shovel handle of the claimed design in an alternate environment.

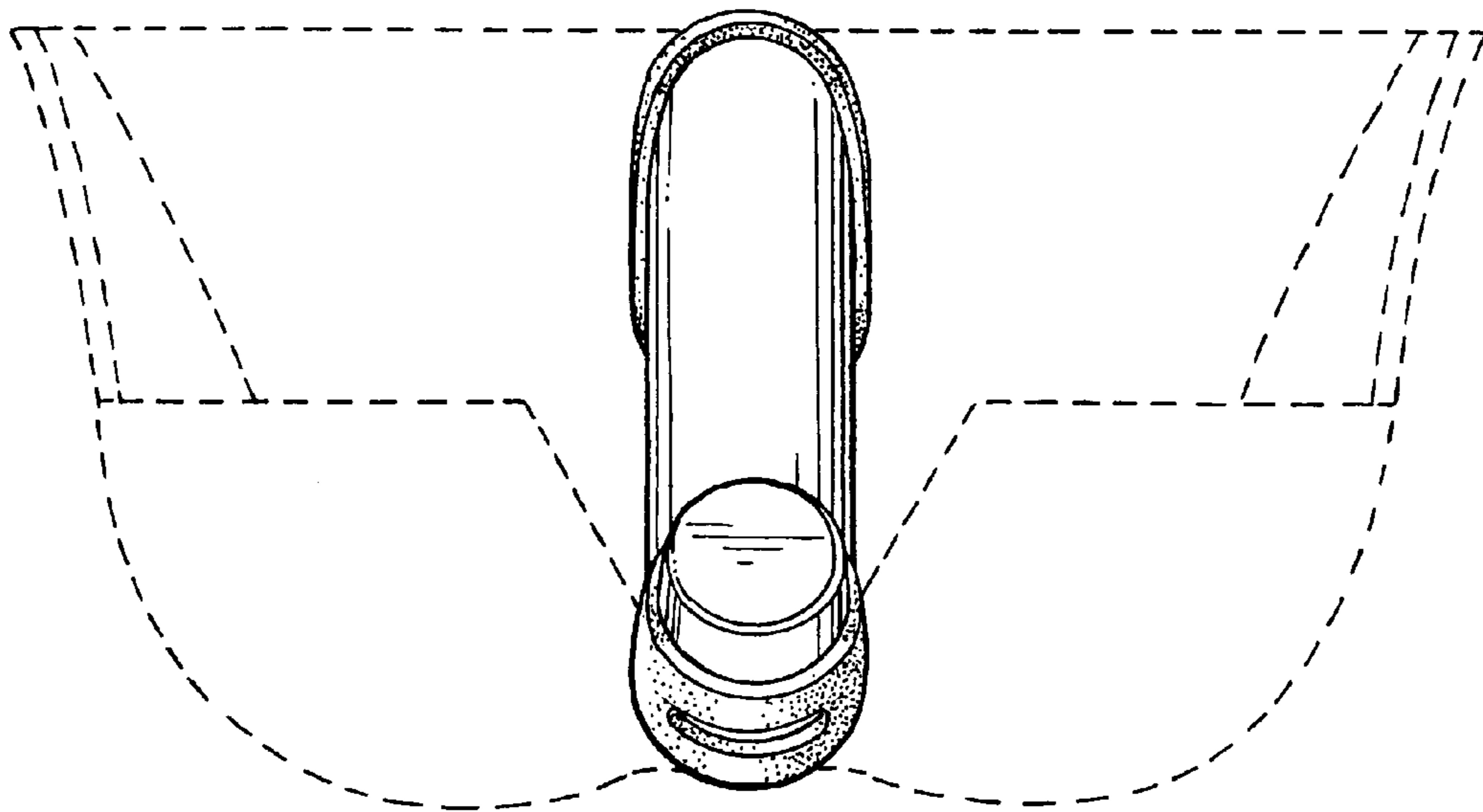
FIG. **24** is a right end view of the shovel handle of the claimed design in an alternate environment; and,

FIG. **25** is a left end view of the shovel handle of the claimed design in an alternate environment.

The broken lines show the environment of the claimed shovel handle design and forms no part thereof.

**1 Claim, 10 Drawing Sheets**





**FIG. 4**

FIG. 6

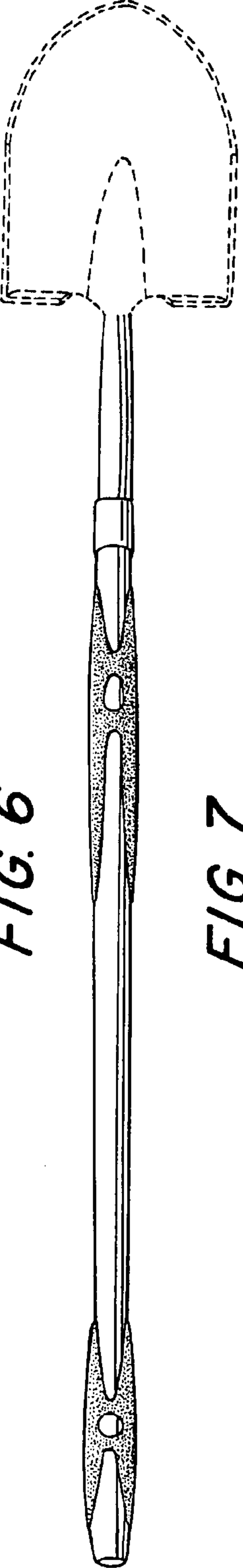


FIG. 7

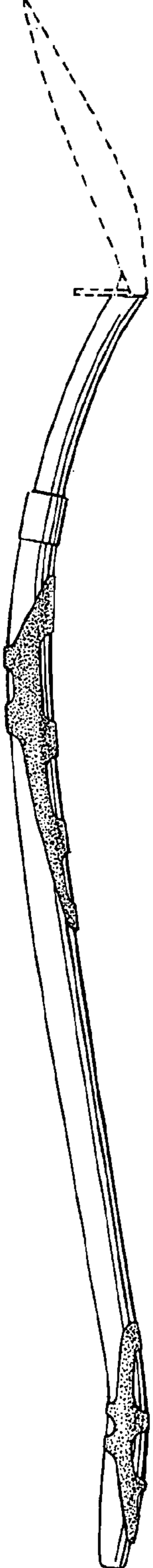


FIG. 8

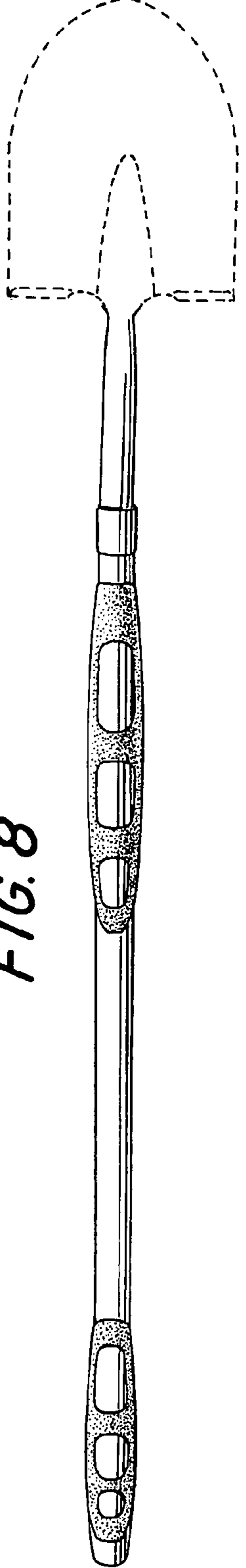
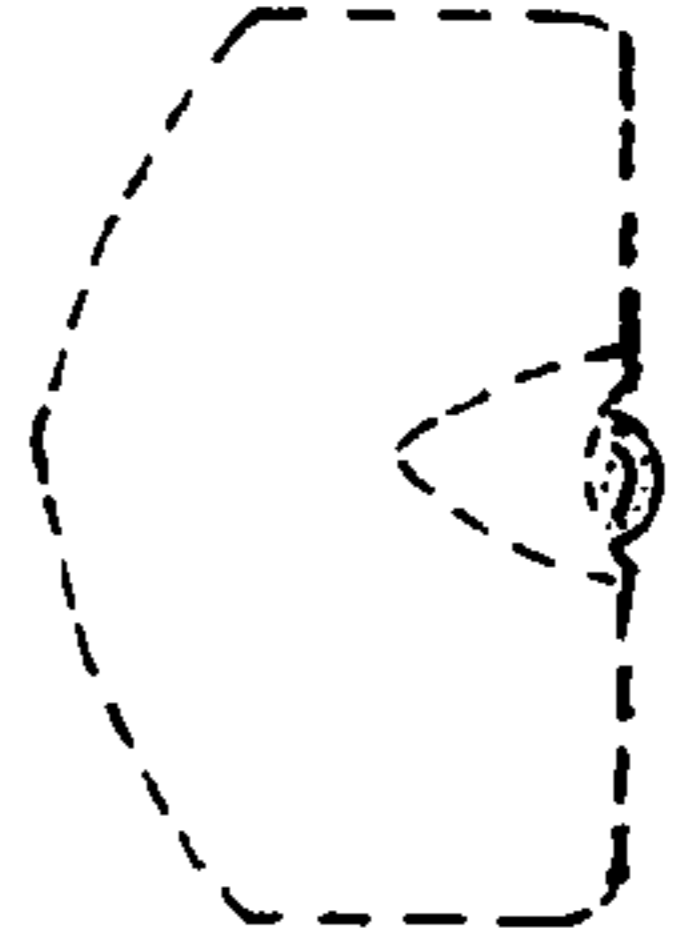
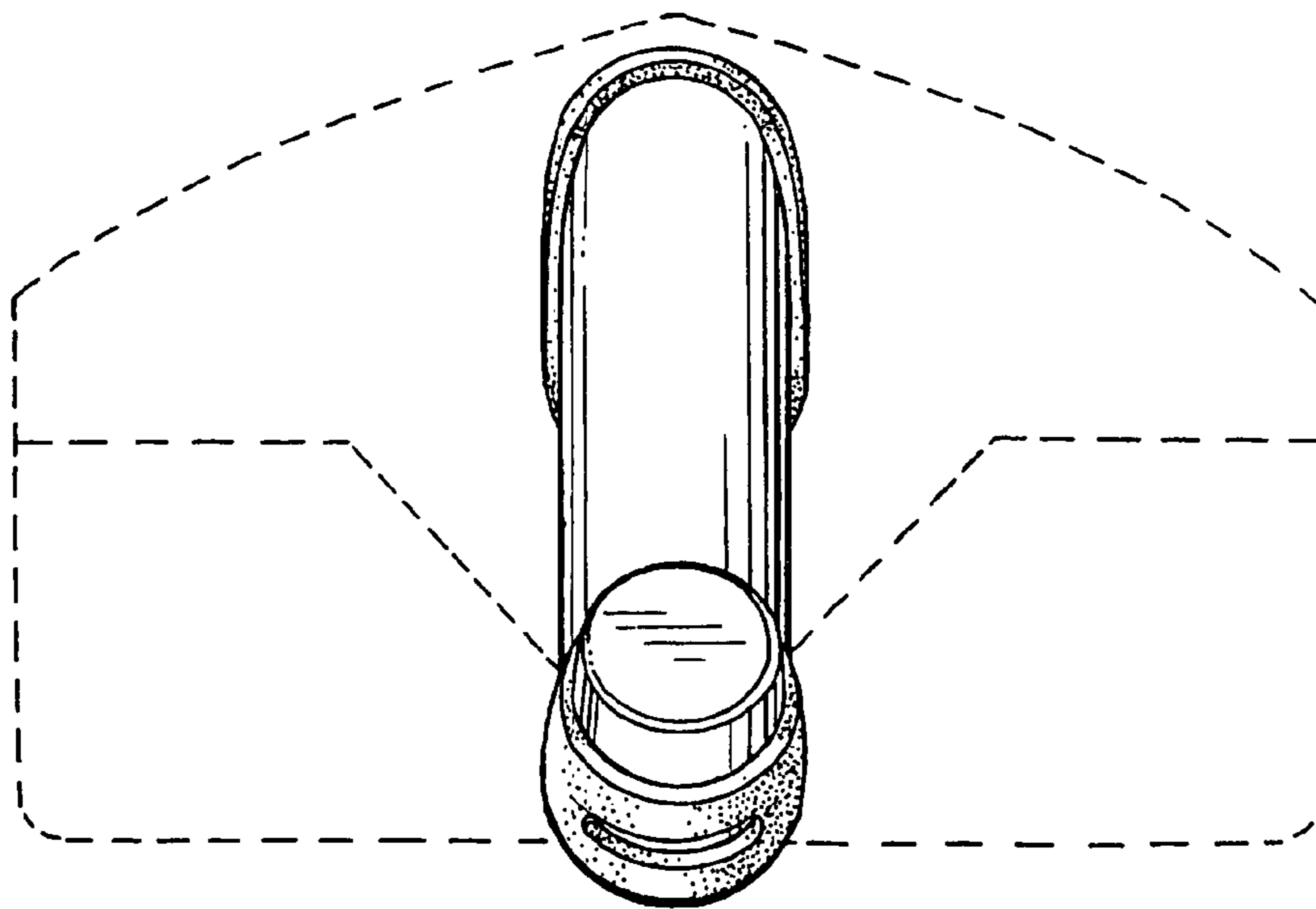


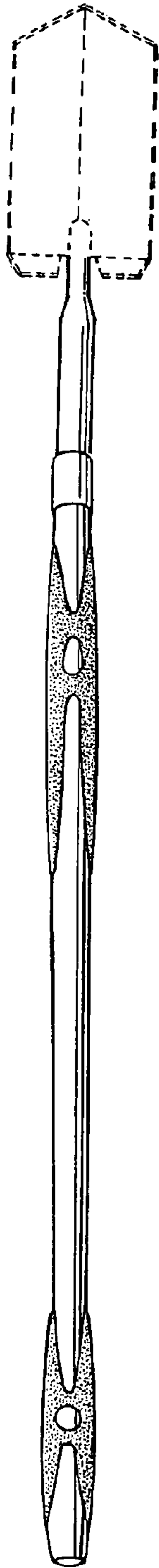
FIG. 10



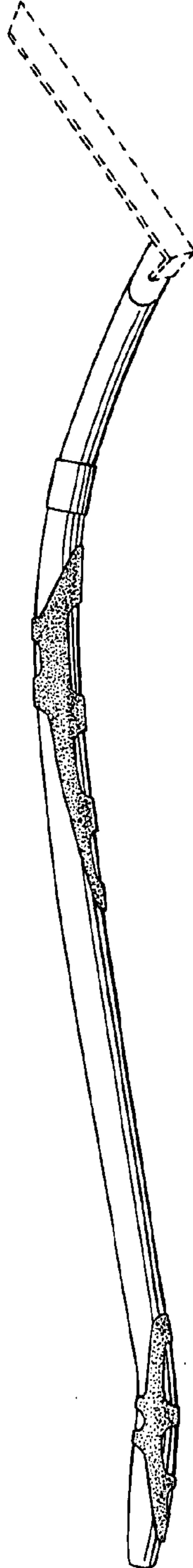


**FIG. 9**

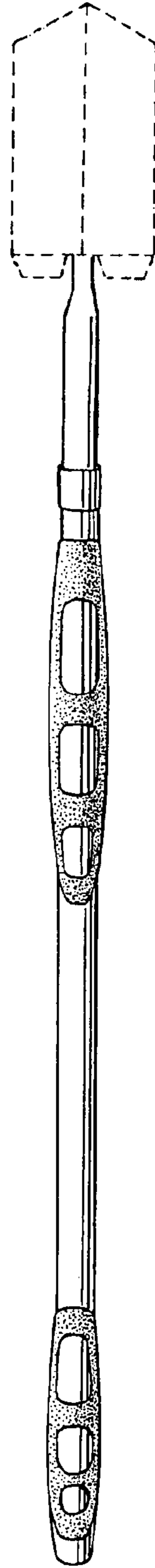
*FIG. 11*



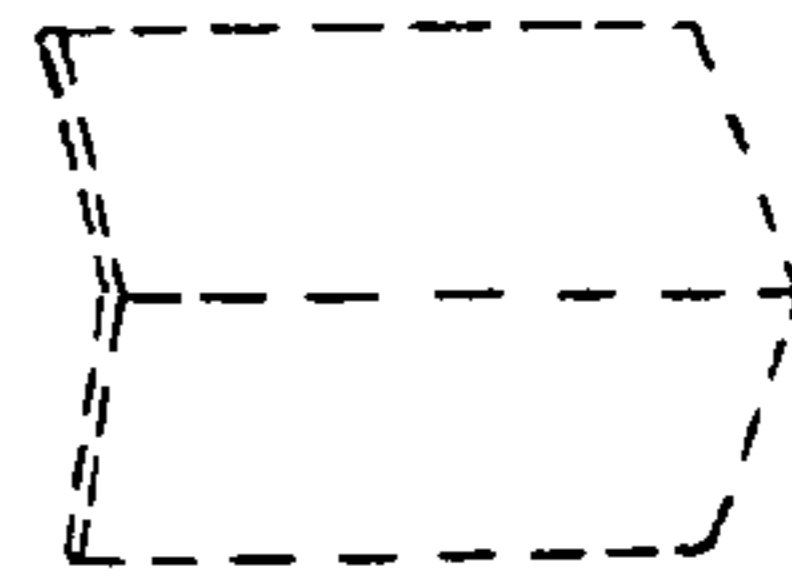
*FIG. 12*

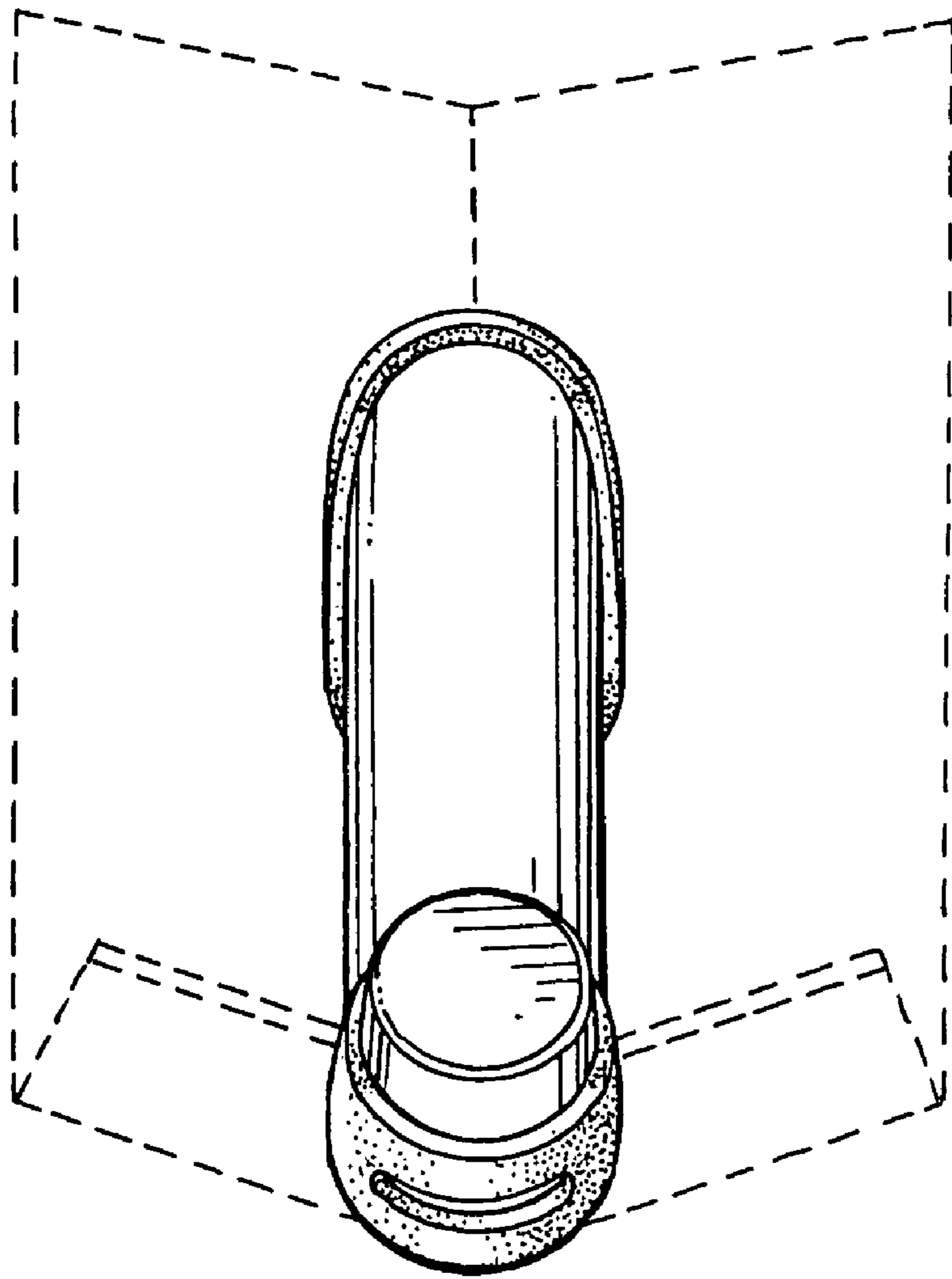


*FIG. 13*



*FIG. 15*





**FIG. 14**



FIG. 16

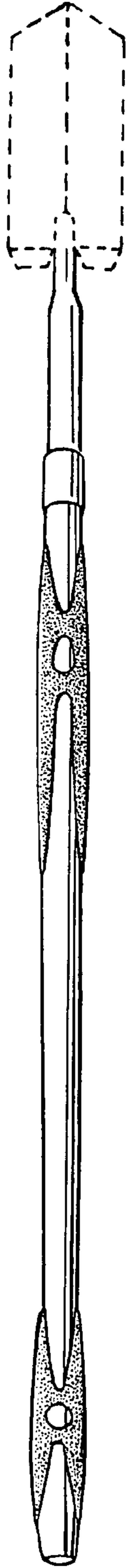


FIG. 17

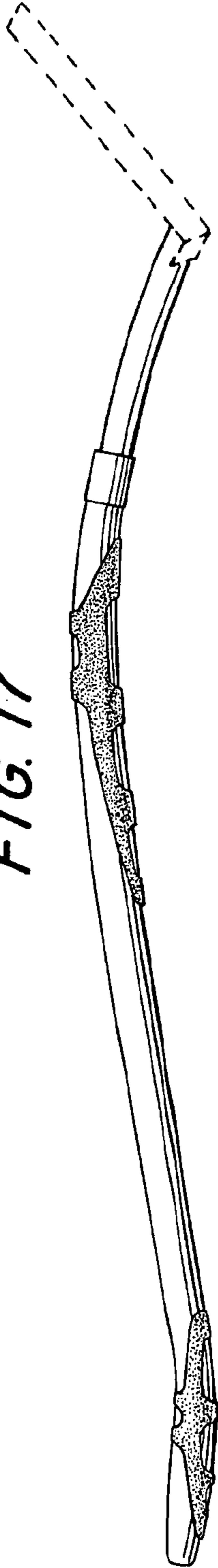


FIG. 18

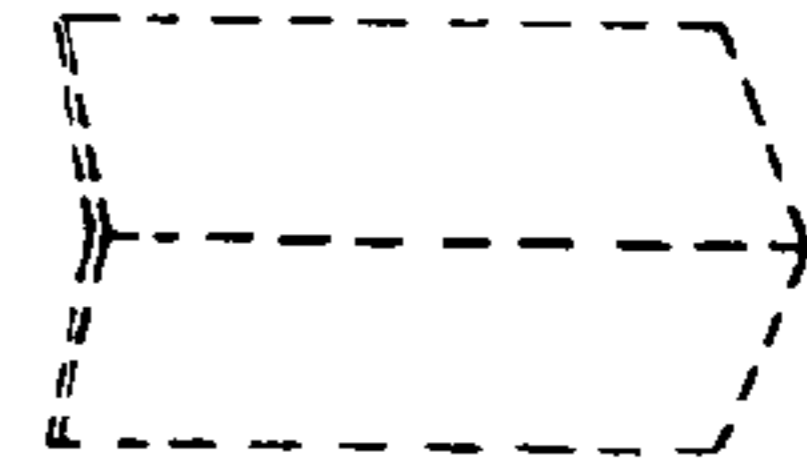
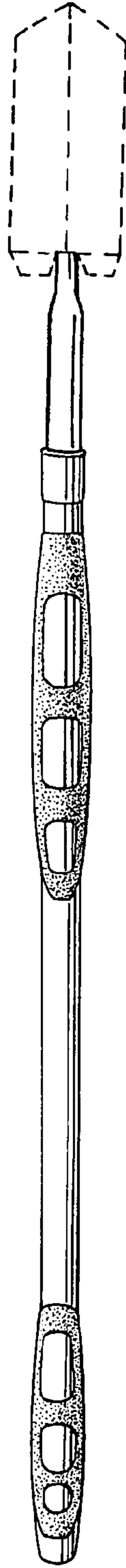
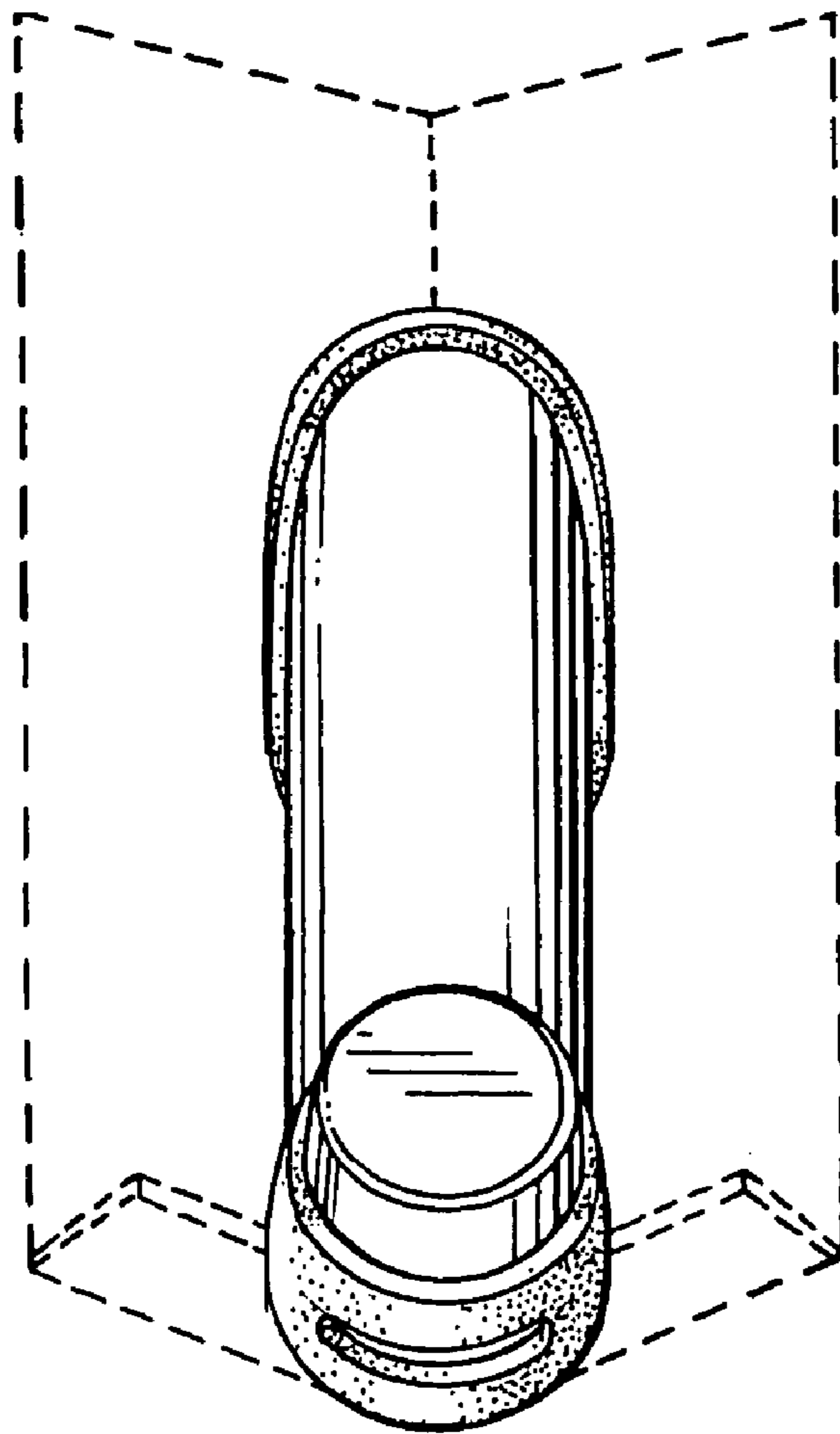
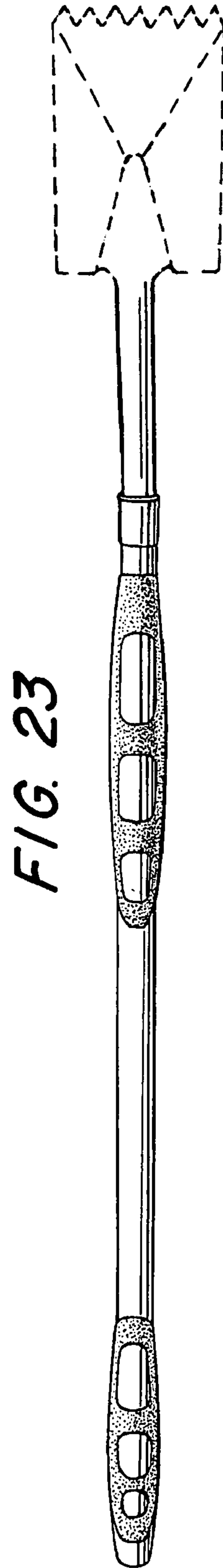
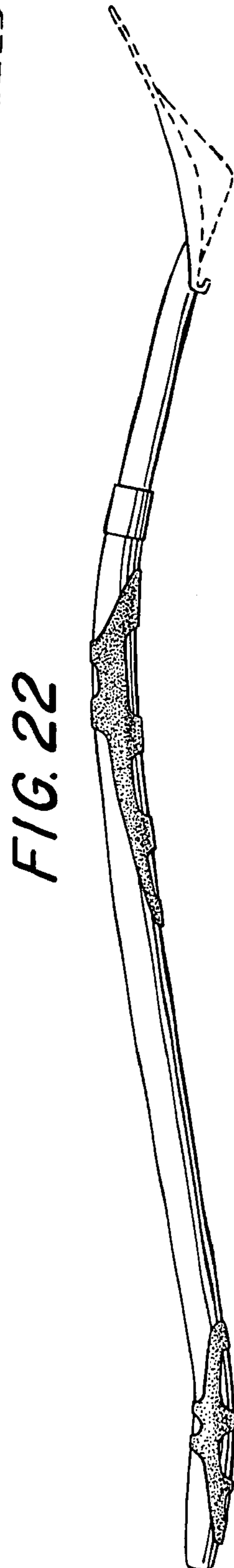
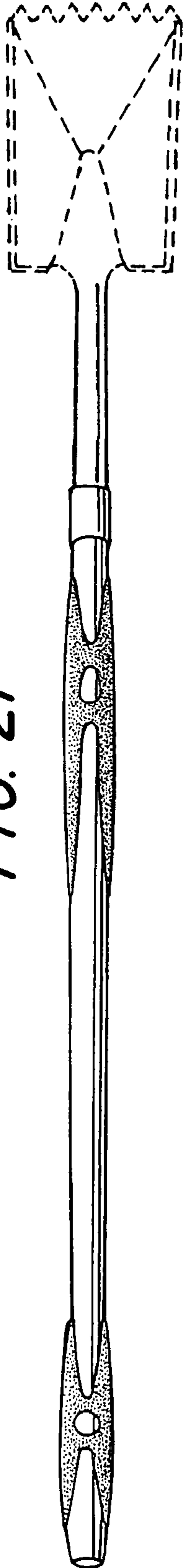
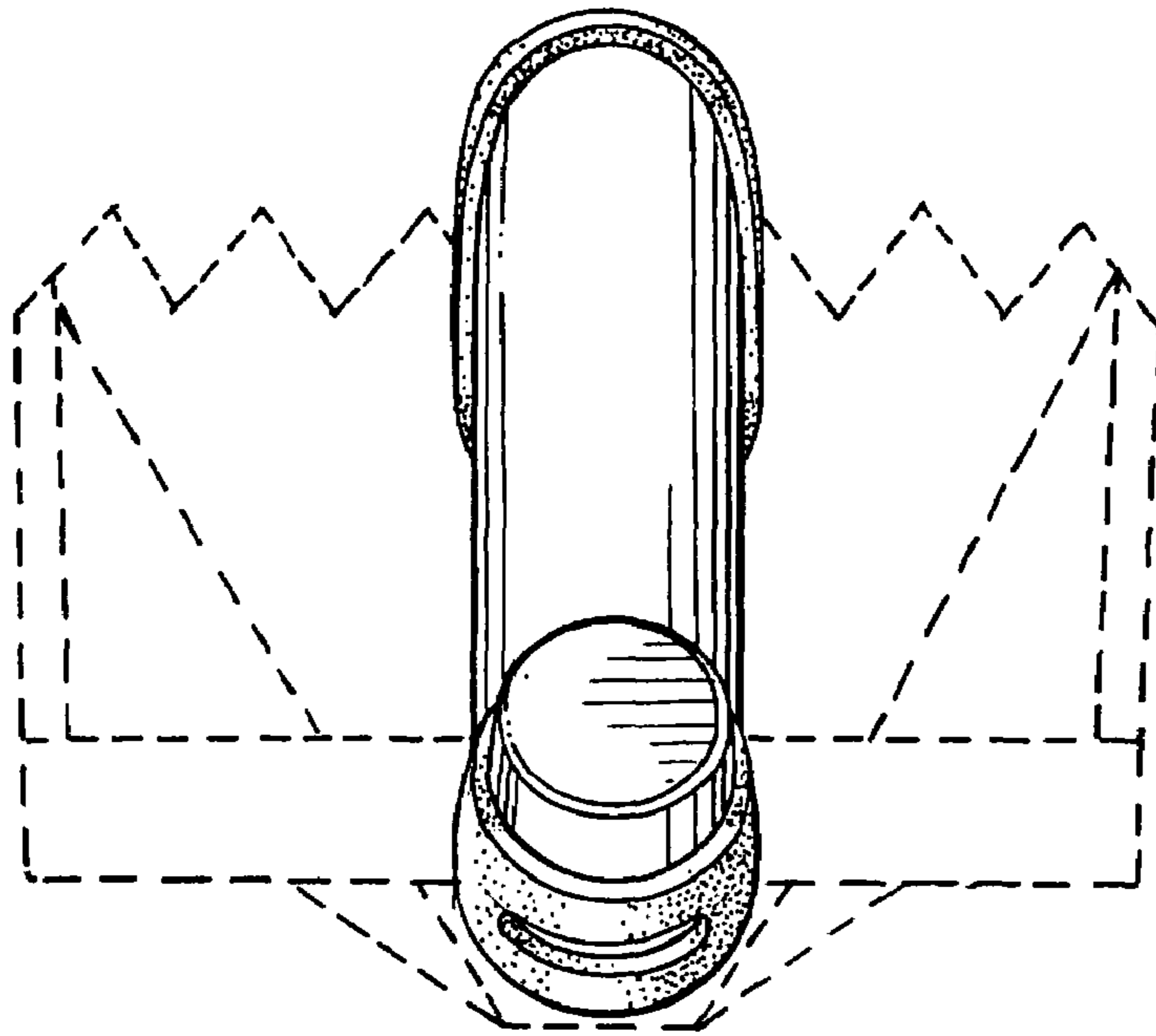


FIG. 20

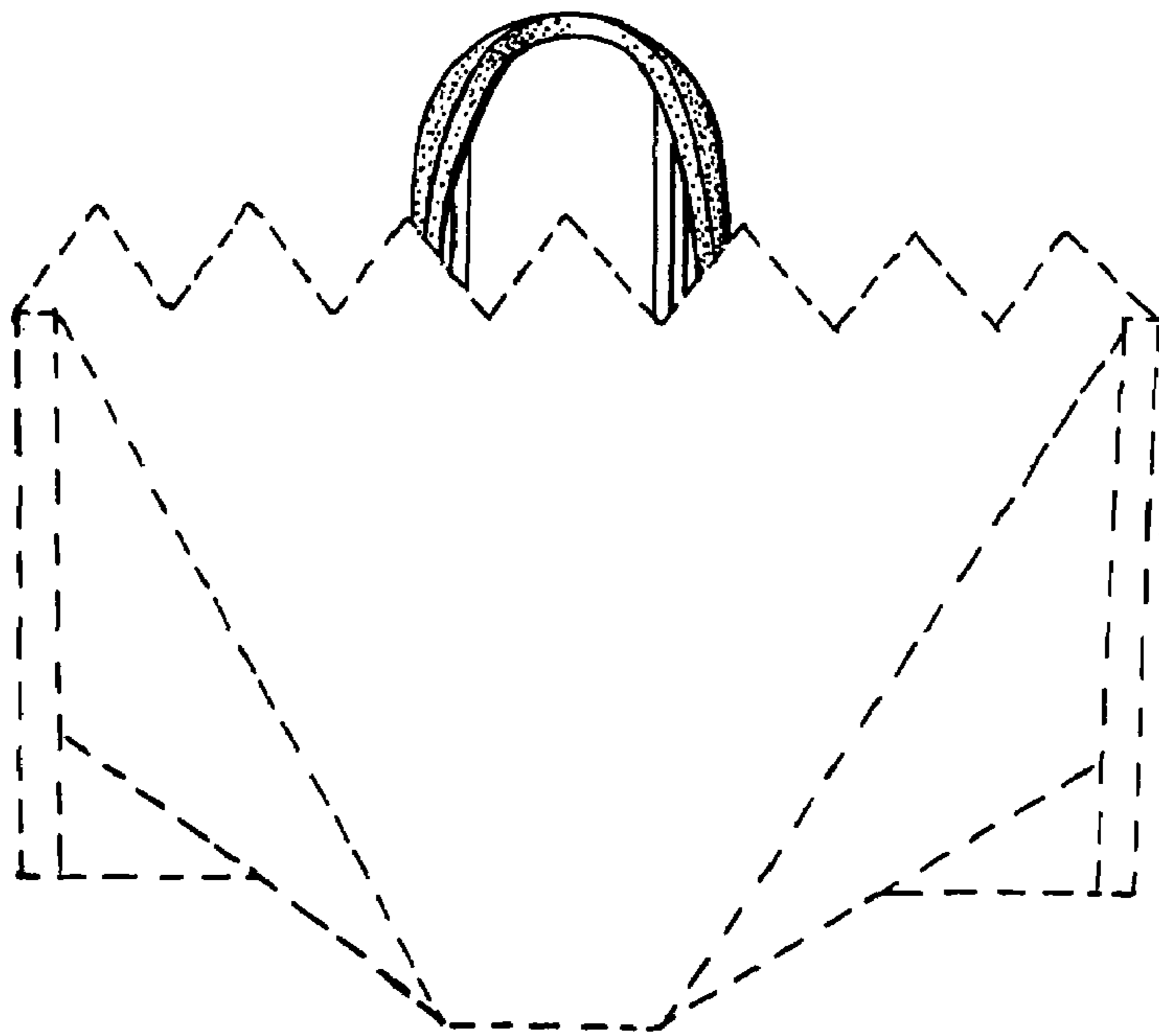


**FIG. 19**





**FIG. 24**



**FIG. 25**