



US00D603220S

(12) **United States Design Patent**
Ghiorghie

(10) **Patent No.:** **US D603,220 S**

(45) **Date of Patent:** **** Nov. 3, 2009**

(54) **TUMBLER**

(75) **Inventor:** **Radu Alexandru Ghiorghie**, Copley,
OH (US)

(73) **Assignee:** **InterDesign, Inc.**, Solon, OH (US)

(**) **Term:** **14 Years**

(21) **Appl. No.:** **29/313,974**

(22) **Filed:** **Feb. 23, 2009**

(51) **LOC (9) Cl.** **07-01**

(52) **U.S. Cl.** **D7/523; D7/509**

(58) **Field of Classification Search** D7/509,
D7/510, 523, 511, 392.1, 900, 608, 533, 536,
D7/507; 215/11.6, 387, DIG. 7; 220/703,
220/713, 592.16, 592.17; D9/516, 519, 542,
D9/549; D24/197; D34/1

See application file for complete search history.

(56) **References Cited**

U.S. PATENT DOCUMENTS

D96,737 S * 9/1935 Funfrock D2/974
D457,389 S 5/2002 Snell
D457,782 S 5/2002 Snell
6,439,418 B1 8/2002 Immerman et al.
D463,715 S 10/2002 Dretzka
D470,364 S 2/2003 Dretzka
D472,427 S 4/2003 Dretzka
D490,582 S * 5/2004 Dretzka D34/1
D502,365 S 3/2005 Dretzka
D505,828 S 6/2005 Snell
D530,959 S * 10/2006 Snell D6/551
D543,327 S * 5/2007 Snell D34/1

D550,509 S 9/2007 Dretzka
D551,905 S 10/2007 Snell
D552,422 S * 10/2007 Dretzka D7/523
D557,073 S 12/2007 Snell
D582,724 S * 12/2008 Dretzka D7/523
D594,277 S * 6/2009 Snell D7/523
D594,278 S * 6/2009 Snell D7/523

OTHER PUBLICATIONS

InterDesign, Inc. Product Brochure—Bath, p. 6.
InterDesign, Inc. Product Catalog—2000, pp. 4, 5.
InterDesign, Inc. Product Catalog—2001, pp. 12, 13.
InterDesign, Inc. Product Catalog—2003, pp. 6, 8, 10, 11, 14, 15, 16,
20, 22, 24.
InterDesign, Inc. Product Catalog—2004, pp. 20, 28, 29.
InterDesign, Inc. Product Catalog—2005, p. 6.
InterDesign, Inc. Product Catalog—2006, p. 2.
InterDesign, Inc. Product Catalog—2007, pp. 2, 4, 6.

* cited by examiner

Primary Examiner—Marianne Pandozzi

(74) *Attorney, Agent, or Firm*—D. Peter Hochberg; Sean F.
Mellino; Daniel J. Smola

(57) **CLAIM**

The ornamental design for a tumbler, as shown and described.

DESCRIPTION

FIG. 1 is a perspective view of the tumbler according to the
invention;

FIG. 2 is a top view of the tumbler as shown in FIG. 1;

FIG. 3 is a side view of the tumbler as shown in FIG. 1; and,

FIG. 4 is a bottom view of the tumbler as shown in FIG. 1.

1 Claim, 1 Drawing Sheet

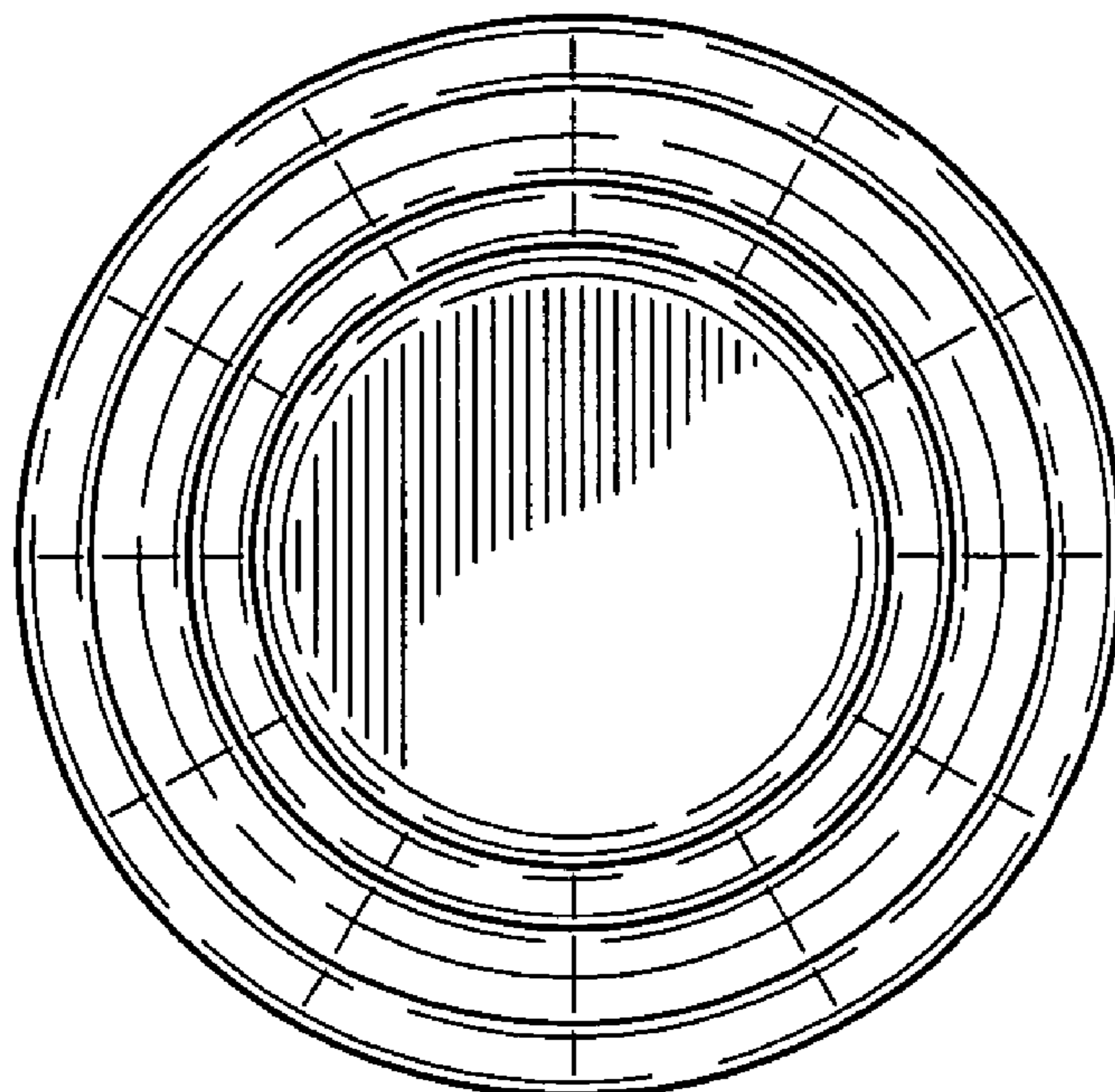


FIG-2

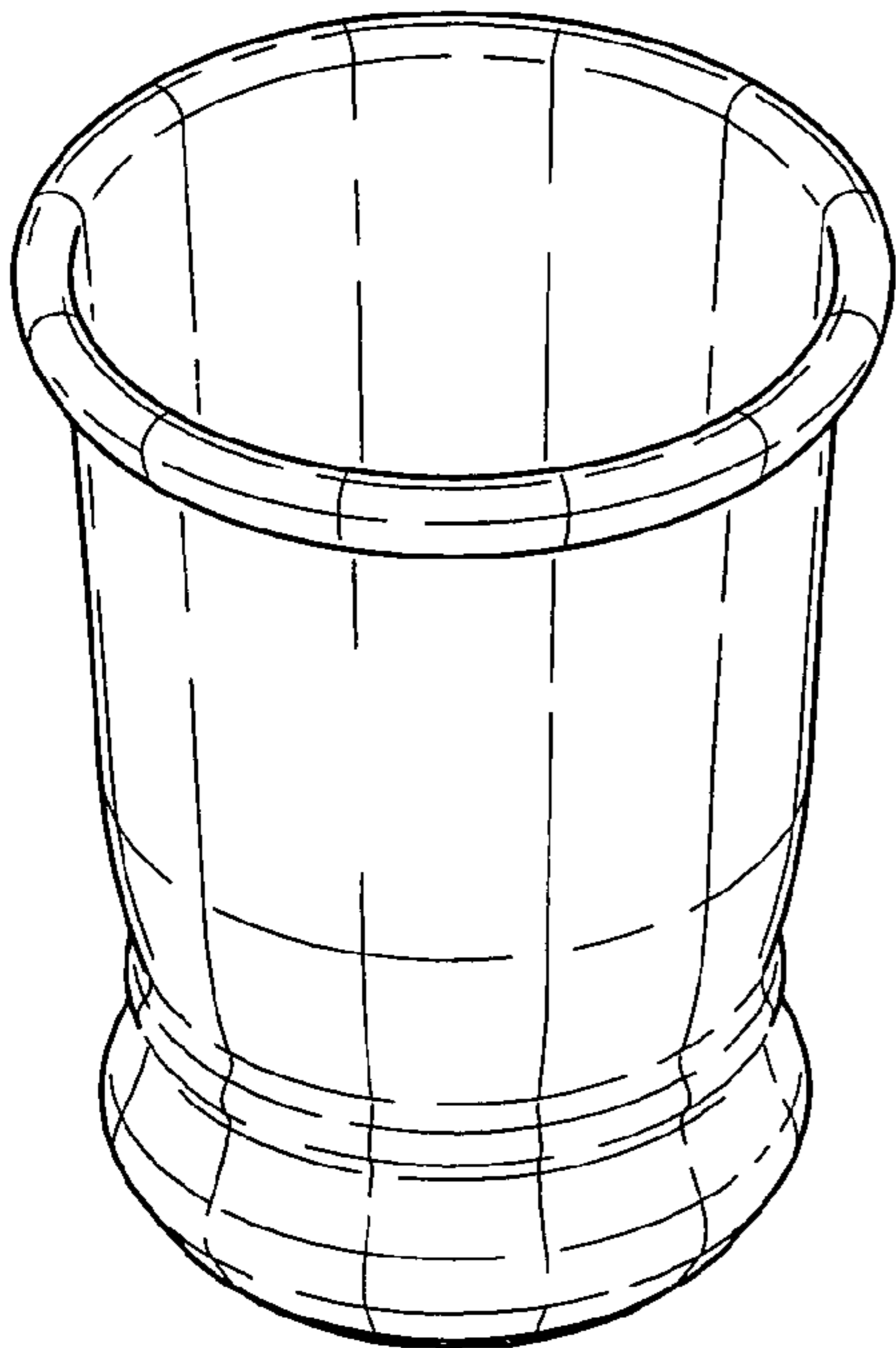
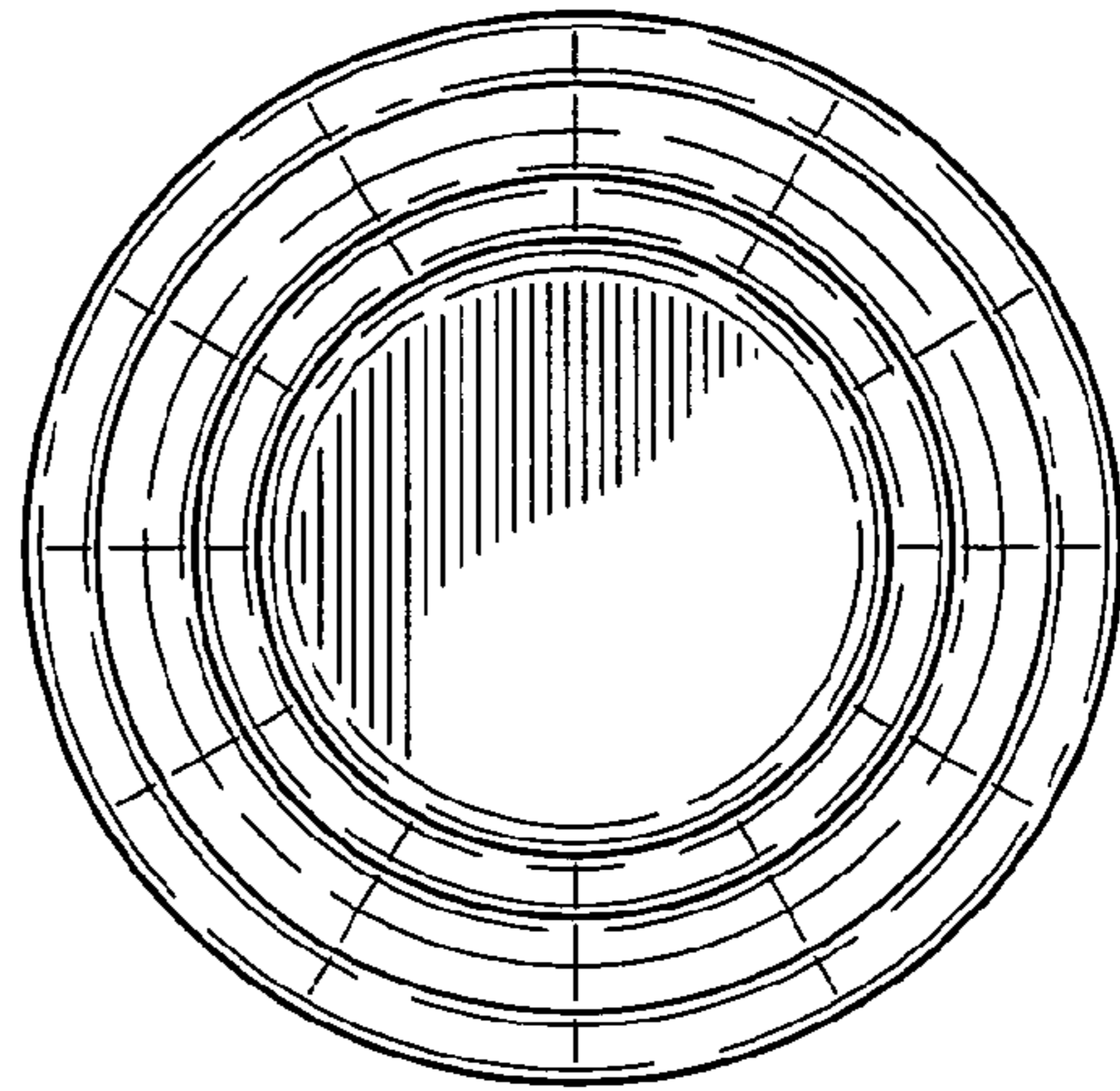


FIG-1

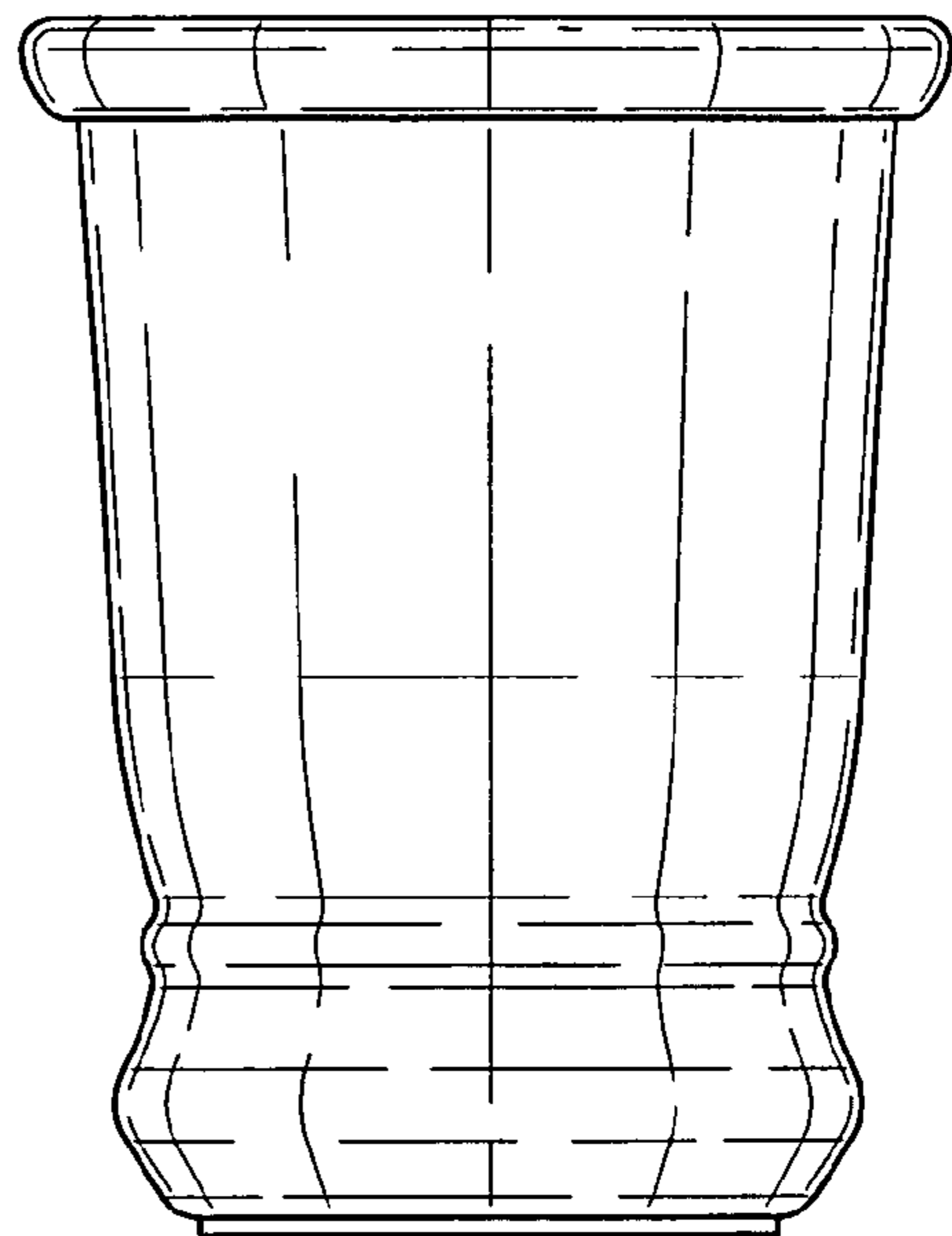


FIG-3

FIG-4

