



US00D603217S

(12) **United States Design Patent**
Wade

(10) **Patent No.:** **US D603,217 S**
(45) **Date of Patent:** **** Nov. 3, 2009**

(54) **OUTDOOR GRILL COVER**

(76) Inventor: **Mark Wade**, 8786 Vanderset Dr.,
Newaygo, MI (US) 49337

(**) Term: **14 Years**

(21) Appl. No.: **29/305,594**

(22) Filed: **Mar. 25, 2008**

Related U.S. Application Data

(63) Continuation-in-part of application No. 12/039,108,
filed on Feb. 28, 2008, and a continuation-in-part of
application No. 12/030,990, filed on Feb. 14, 2008,
now abandoned, and a continuation-in-part of applica-
tion No. 11/943,032, filed on Nov. 20, 2007.

(51) **LOC (9) Cl.** **07-02**

(52) **U.S. Cl.** **D7/402**

(58) **Field of Classification Search** D7/332,
D7/334-337, 402-405, 407; 126/25 R, 29-30,
126/25 A, 25 AA, 9 R, 38, 37 R, 41 R, 40,
126/39 E, 39 H, 50, 276, 268, 519, 506, 299 R,
126/1 F, 39 M; 99/481-482, 646 R; 52/36.2,
52/DIG. 14; 150/165, 154, 901; D6/610;
383/110

See application file for complete search history.

(56) **References Cited**

U.S. PATENT DOCUMENTS

2,233,463 A	3/1941	Wilson	
4,434,781 A	3/1984	Koziol	
D290,678 S *	7/1987	Johnson et al.	D7/387
D324,153 S *	2/1992	Wood	D7/402
5,582,094 A	12/1996	Peterson et al.	

D381,868 S *	8/1997	Schmitt et al.	D7/402
D395,982 S *	7/1998	Dunn et al.	D7/402
D397,580 S *	9/1998	Dunn et al.	D7/402
5,918,536 A	7/1999	Cheng	
5,934,184 A	8/1999	Schlosser et al.	
6,209,598 B1 *	4/2001	Petrey	150/154
6,276,356 B1	8/2001	Ragland et al.	
D466,752 S *	12/2002	Rowe et al.	D6/610
D483,212 S *	12/2003	Trickett	D6/610
6,863,100 B2 *	3/2005	Neal et al.	150/165
D575,106 S *	8/2008	Minassian	D7/402
2003/0196562 A1 *	10/2003	Trickett	99/482
2008/0210354 A1 *	9/2008	Wade	150/165

* cited by examiner

Primary Examiner—Ruth McInroy

(74) *Attorney, Agent, or Firm*—Frederick L. Tolhurst, Esq.;
Cohen & Grigsby, P.C.

(57) **CLAIM**

The ornamental design for outdoor grill cover, as shown and
described.

DESCRIPTION

FIG. 1 is a top perspective view of an outdoor grill cover
showing my new design;

FIG. 2 is a top plan view thereof;

FIG. 3 is a front elevation view thereof;

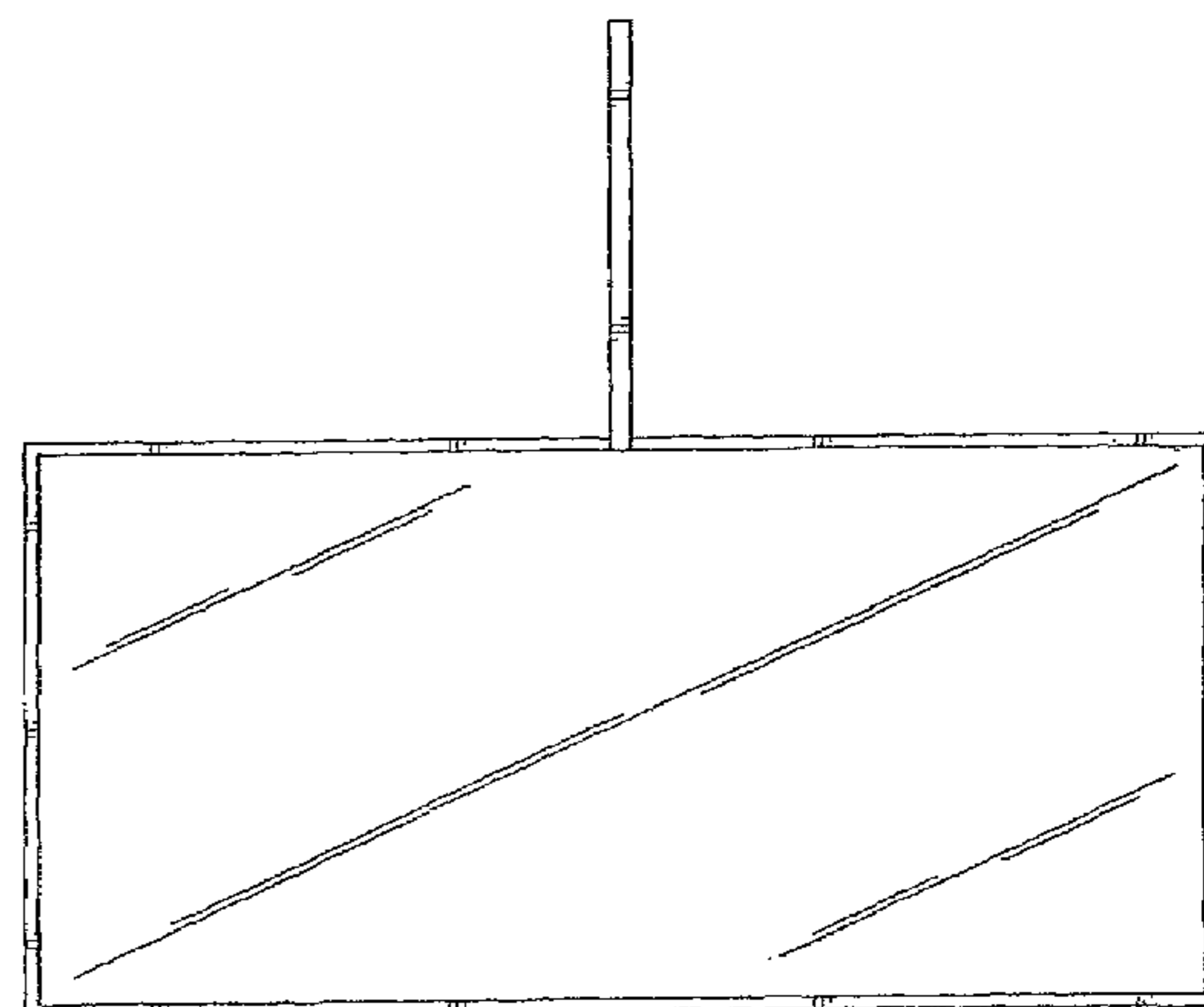
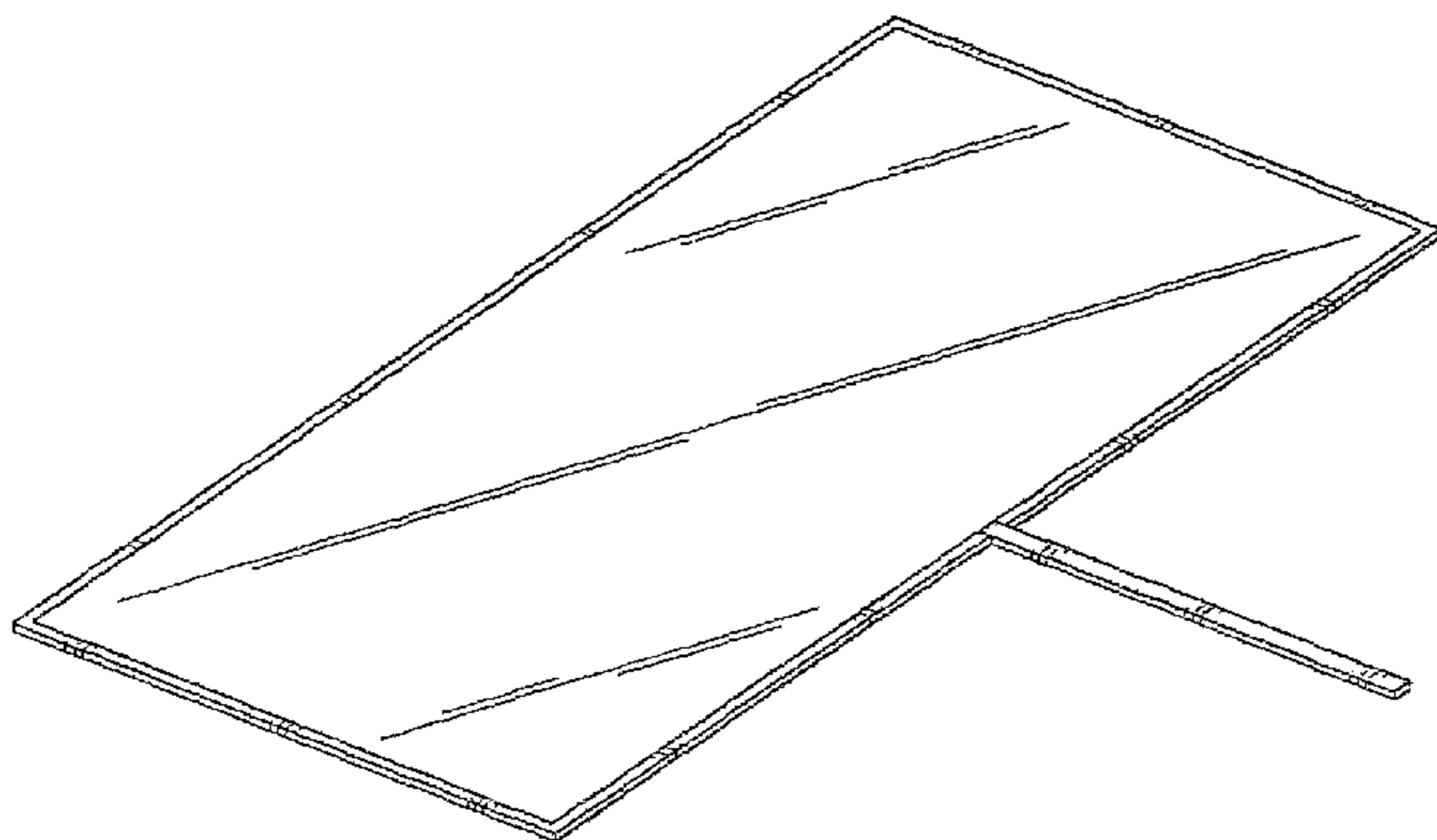
FIG. 4 is a rear elevation view thereof;

FIG. 5 is a left-side elevation view thereof;

FIG. 6 is a right-side elevation view thereof; and,

FIG. 7 is a bottom plan view thereof.

1 Claim, 2 Drawing Sheets



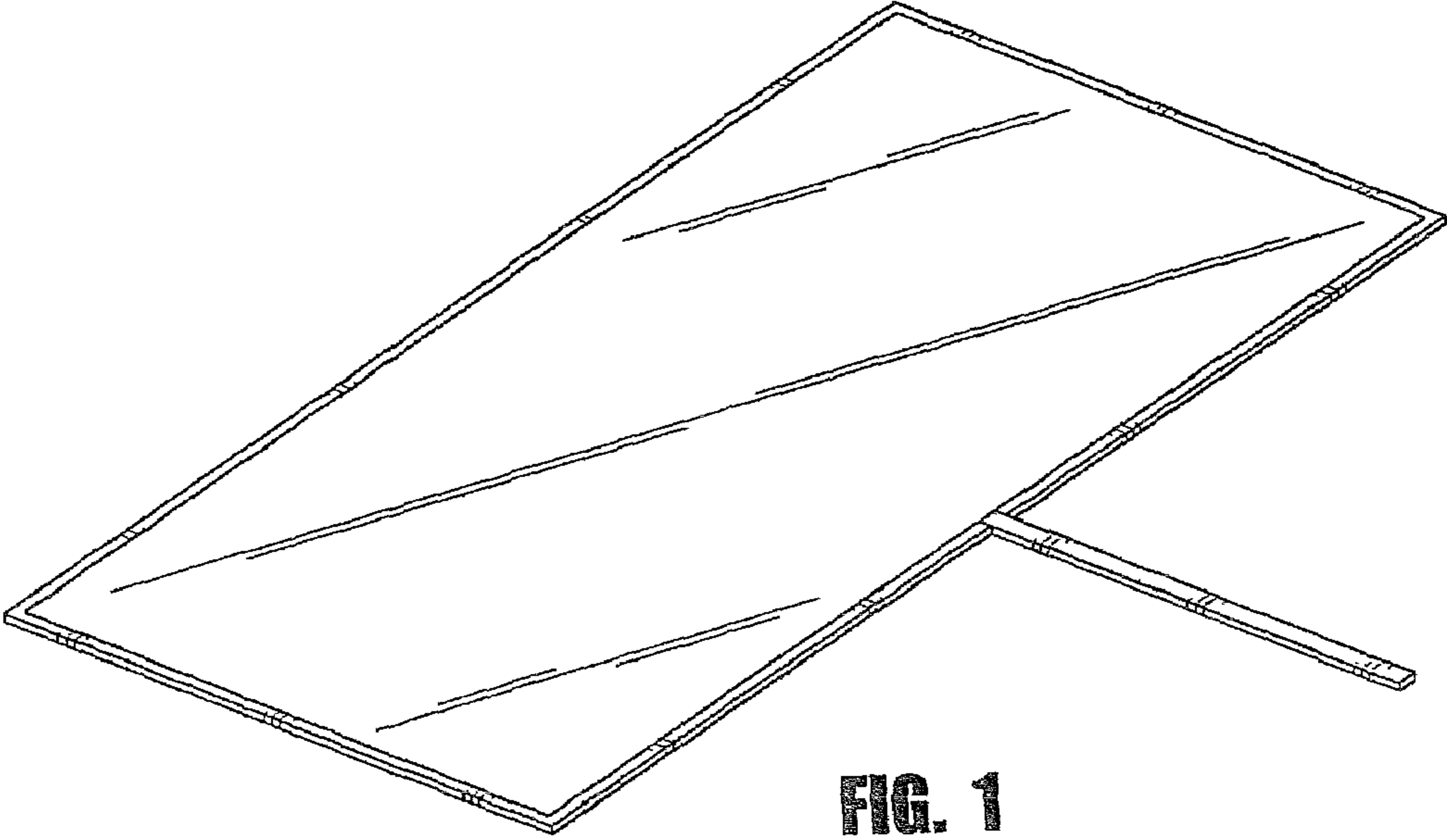


FIG. 1

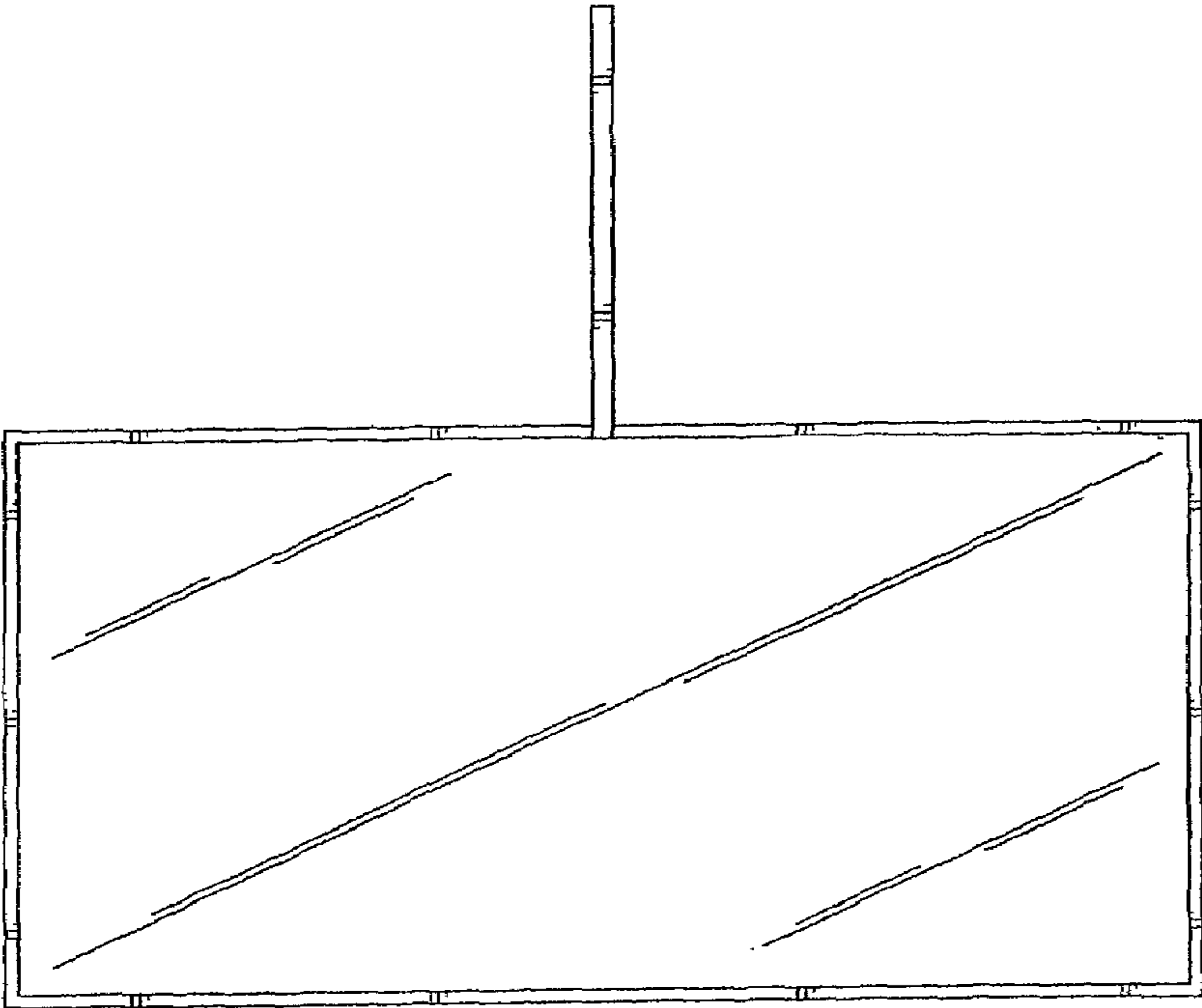


FIG. 2



FIG. 3

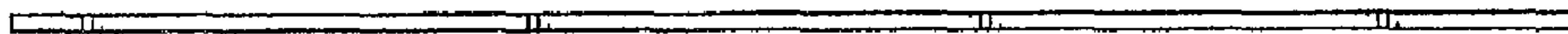


FIG. 4

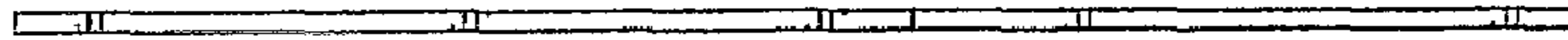


FIG. 5

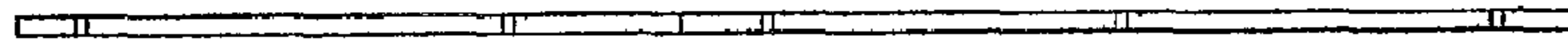


FIG. 6

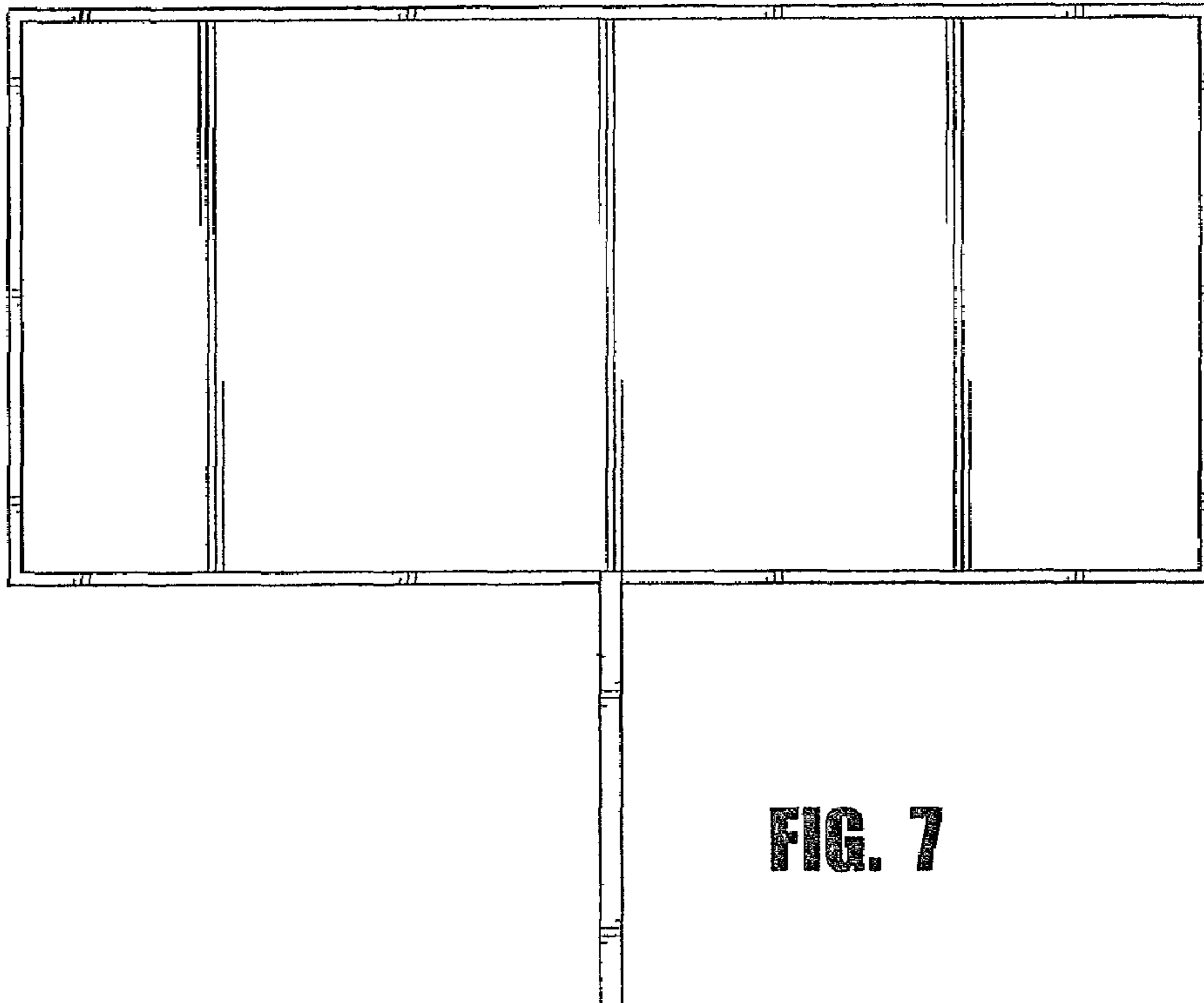


FIG. 7