



US00D603215S

(12) **United States Design Patent**
Hollinger

(10) **Patent No.:** **US D603,215 S**
(45) **Date of Patent:** **** Nov. 3, 2009**

(54) **BLENDER BASE**

D587,064 S * 2/2009 Mark D7/384

(75) Inventor: **Fred Hollinger**, Monroe Township, NJ
(US)

* cited by examiner

Primary Examiner—Caron Veynar

Assistant Examiner—Ricky Pham

(73) Assignee: **E. Mishan & Sons, Inc.**, New York, NY
(US)

(74) *Attorney, Agent, or Firm*—Notaro & Michalos P.C.

(**) Term: **14 Years**

(57) **CLAIM**

(21) Appl. No.: **29/337,933**

The ornamental design for a blender base, as shown and described.

(22) Filed: **Jun. 2, 2009**

DESCRIPTION

(51) **LOC (9) Cl.** **07-02**

FIG. 1 is a front perspective view of a blender base showing my new design therefor, parts shown in phantom lines being environment only and forming no part of the design;

(52) **U.S. Cl.** **D7/386; D7/378**

FIG. 2 is a front elevational view thereof, parts shown in phantom lines being environment only and forming no part of the design;

(58) **Field of Classification Search** D7/306–313,
D7/317–318, 326, 356, 372–386, 392, 397–399,
D7/412–415, 665; 99/348, 509–511; 241/30–37.5,
241/101.01–101.2, 166–169.1, 274–278.2,
241/285.1–285.3, 291, 292.1; 366/64–67,
366/98, 192, 197–211, 205–206, 241–254,
366/279–292, 341–343

FIG. 3 is rear elevational view thereof, parts shown in phantom lines being environment only and forming no part of the design;

See application file for complete search history.

FIG. 4 is a side elevational view thereof, parts shown in phantom lines being environment only and forming no part of the design;

(56) **References Cited**

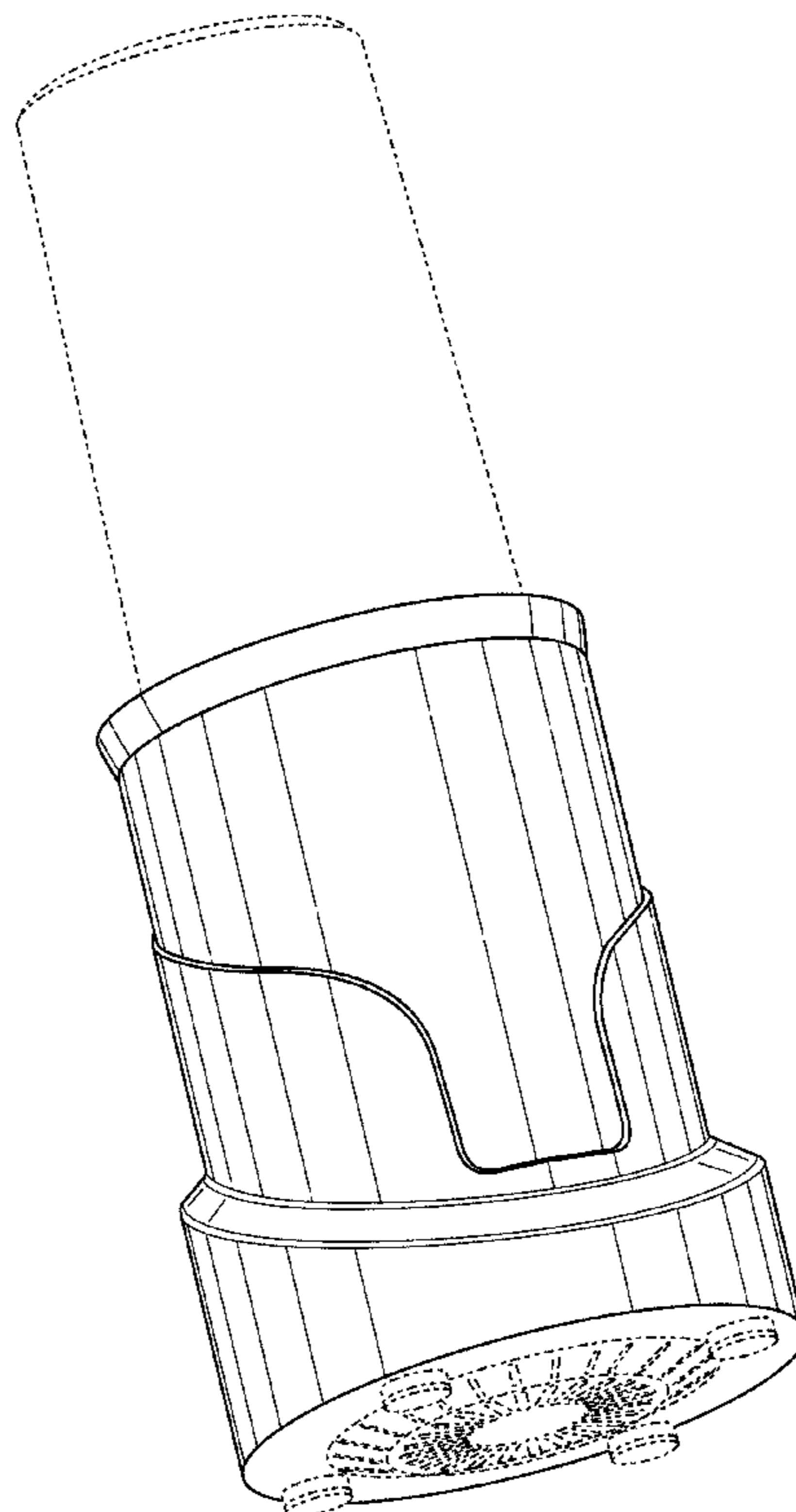
U.S. PATENT DOCUMENTS

D269,489 S *	6/1983	Akita	D7/372
D444,668 S *	7/2001	Leung	D7/372
D501,756 S *	2/2005	Nikkhah	D7/413
D518,994 S *	4/2006	Lin	D7/378
D547,601 S *	7/2007	Ting et al.	D7/384
D550,506 S *	9/2007	Spitzer	D7/412

FIG. 5 is a top plan view thereof; and,

FIG. 6 is a bottom plan view thereof, parts shown in phantom lines being environment only and forming no part of the design.

1 Claim, 5 Drawing Sheets



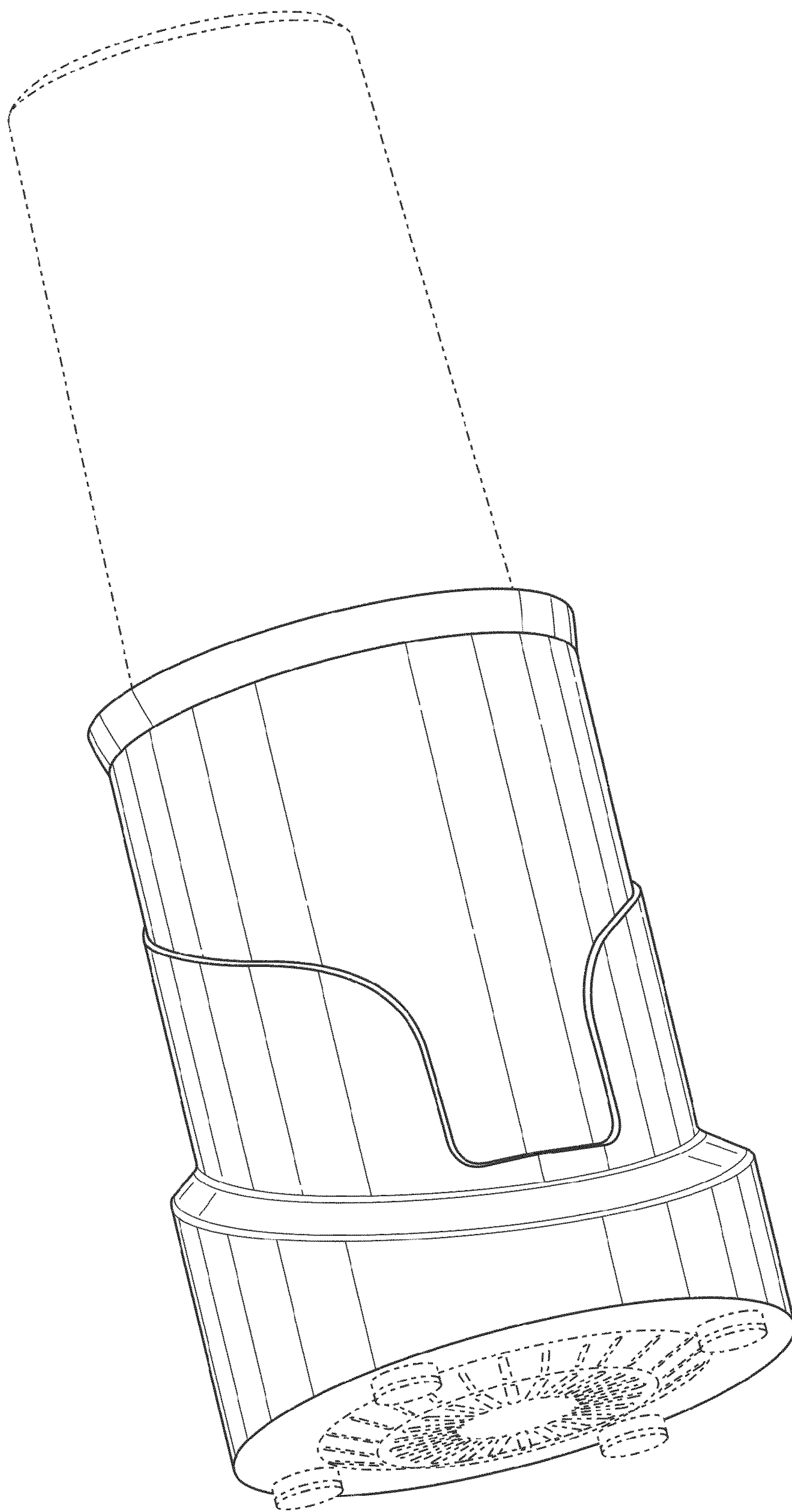


FIG. 1

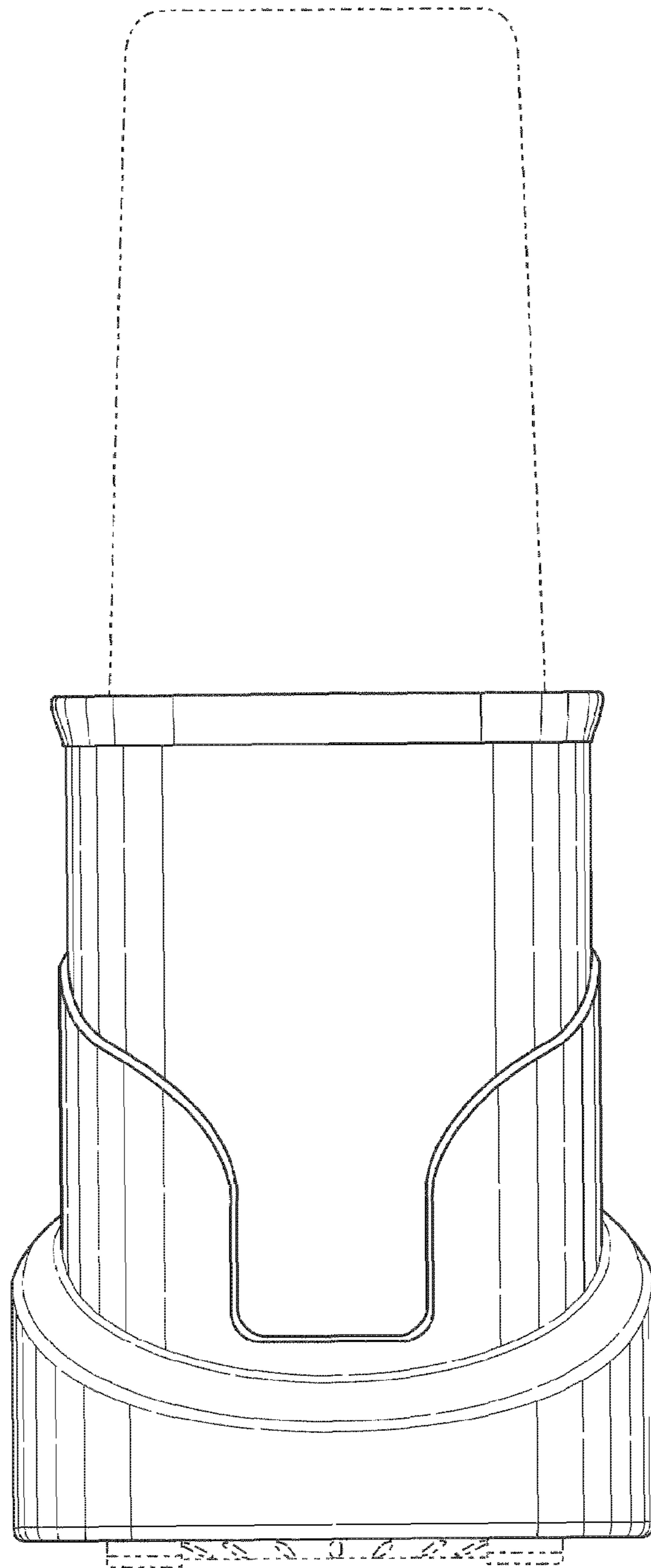


FIG. 2

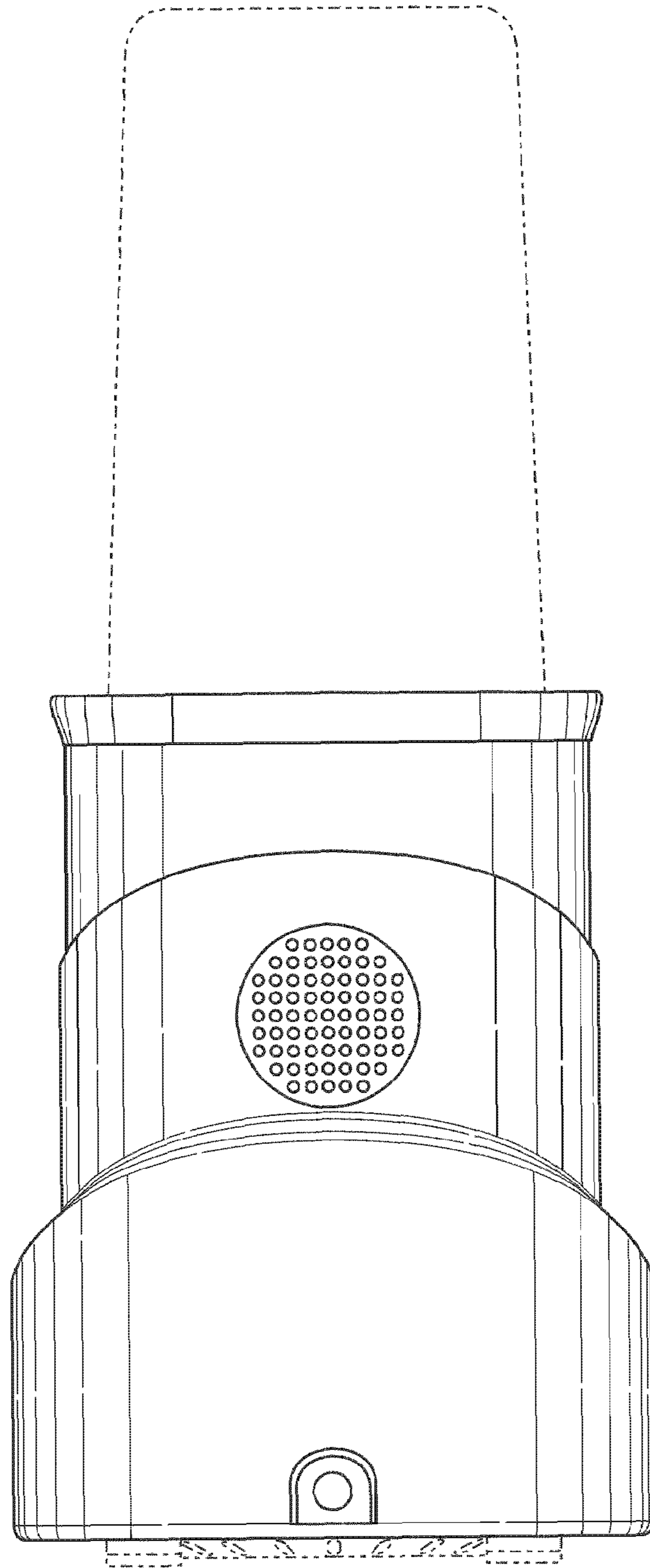


FIG. 3

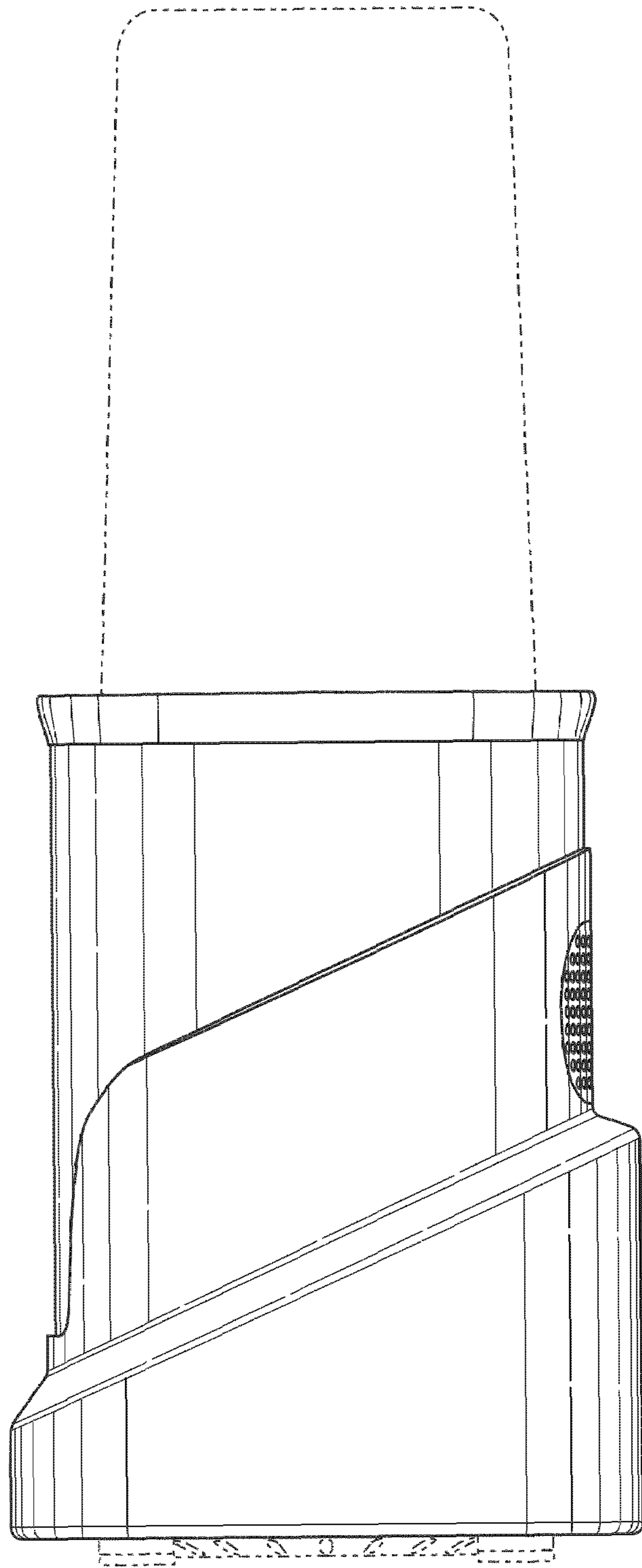


FIG. 4

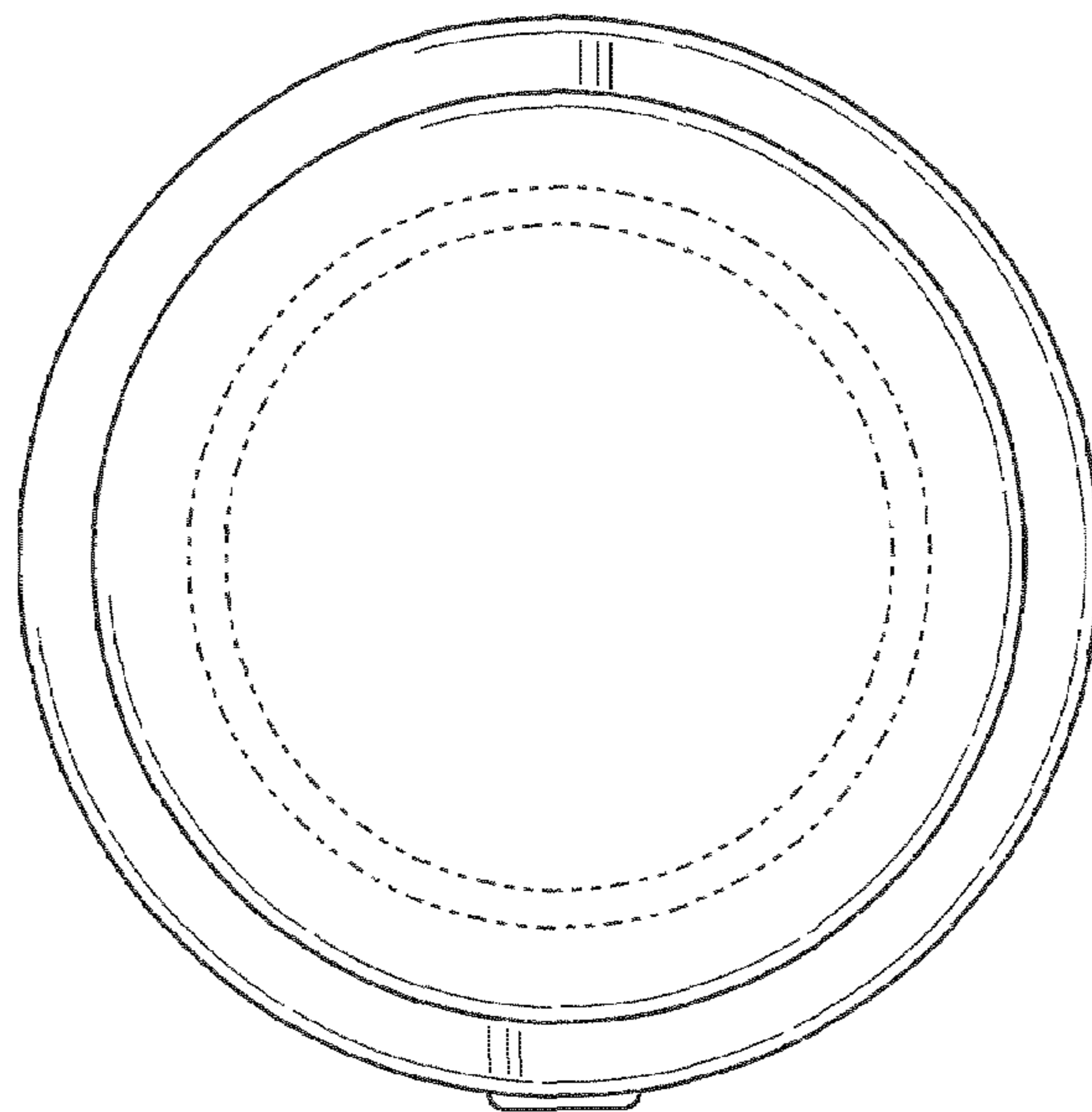


FIG. 5

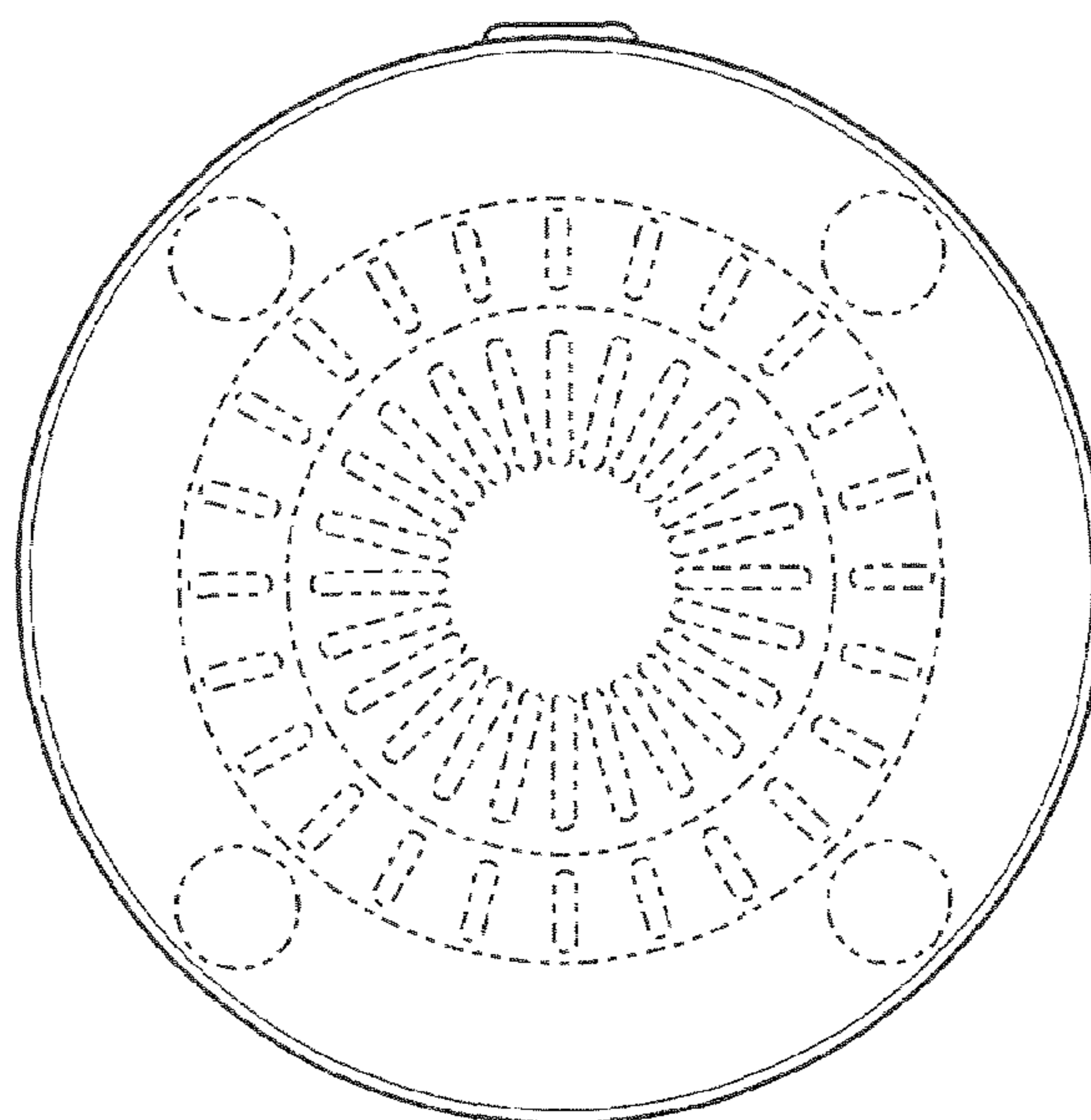


FIG. 6