



US00D603214S

(12) **United States Design Patent**
Huang et al.

(10) **Patent No.:** **US D603,214 S**
(45) **Date of Patent:** **** Nov. 3, 2009**

(54) **MIXING APPARATUS**

(75) Inventors: **Joseph C. Huang**, Dayton, OH (US);
Brian R. Kadel, Dayton, OH (US);
Thomas S. Donthnier, Vandalia, OH
(US); **William C. Sanders**, Springboro,
OH (US); **John C. Baron**, Tipp City, OH
(US); **Jeffrey T. DeBord**, Worthington,
OH (US); **Ryan R. Berger**, Columbus,
OH (US)

(73) Assignee: **Premark FEG L.L.C.**, Wilmington, DE
(US)

(**) Term: **14 Years**

(21) Appl. No.: **29/334,239**

(22) Filed: **Mar. 23, 2009**

(51) **LOC (9) Cl.** **31-00**

(52) **U.S. Cl.** **D7/379; D7/376**

(58) **Field of Classification Search** D7/317–318,
D7/356, 376–386, 412–415, 665; 99/348,
99/509–511; 241/30–37.5, 101.01–101.2,
241/166–169.1, 274–278.2, 285.1–285.3,
241/291, 292.1; 366/64–67, 98, 142, 192,
366/197–211, 205–20, 241–254, 279–292,
366/341–347

See application file for complete search history.

(56) **References Cited**

U.S. PATENT DOCUMENTS

D111,616 S	10/1938	Rosengren	
D116,747 S *	9/1939	Meeker et al.	D7/379
2,306,245 A	12/1942	Duke	
D163,423 S	5/1951	Schamanski	
D180,952 S *	9/1957	Kaempf	D7/379
4,822,172 A *	4/1989	Stottmann	366/142
4,893,942 A *	1/1990	Stottmann	366/279
4,900,160 A *	2/1990	Brooks et al.	366/347
D322,009 S *	12/1991	Doggett	D7/379

D322,010 S *	12/1991	Doggett	D7/379
5,348,393 A	9/1994	Pappas, Jr.	
D362,994 S	10/1995	Ratermann et al.	
5,533,806 A	7/1996	Veltrop et al.	
D394,781 S *	6/1998	Doggett	D7/379
D400,759 S *	11/1998	Doggett	D7/379
5,860,738 A	1/1999	Brinkman	
6,068,398 A	5/2000	Lin	
D459,145 S	6/2002	Short	
D468,581 S	1/2003	Short	
D482,564 S	11/2003	Short	
D489,936 S *	5/2004	Smith et al.	D7/379
D490,271 S	5/2004	Short et al.	
6,883,959 B2	4/2005	Donthnier et al.	
7,014,354 B2	3/2006	Donthnier et al.	

(Continued)

Primary Examiner—Caron Veynar

Assistant Examiner—Ricky Pham

(74) *Attorney, Agent, or Firm*—Thompson Hine LLP

(57) **CLAIM**

The ornamental design for a mixing apparatus, as shown and described.

DESCRIPTION

FIG. 1 is a perspective view of a mixing apparatus showing our new design;

FIG. 2 is another perspective view of FIG. 1;

FIG. 3 is a side view of FIG. 1;

FIG. 4 is a front view of FIG. 1;

FIG. 5 is another side view of FIG. 1;

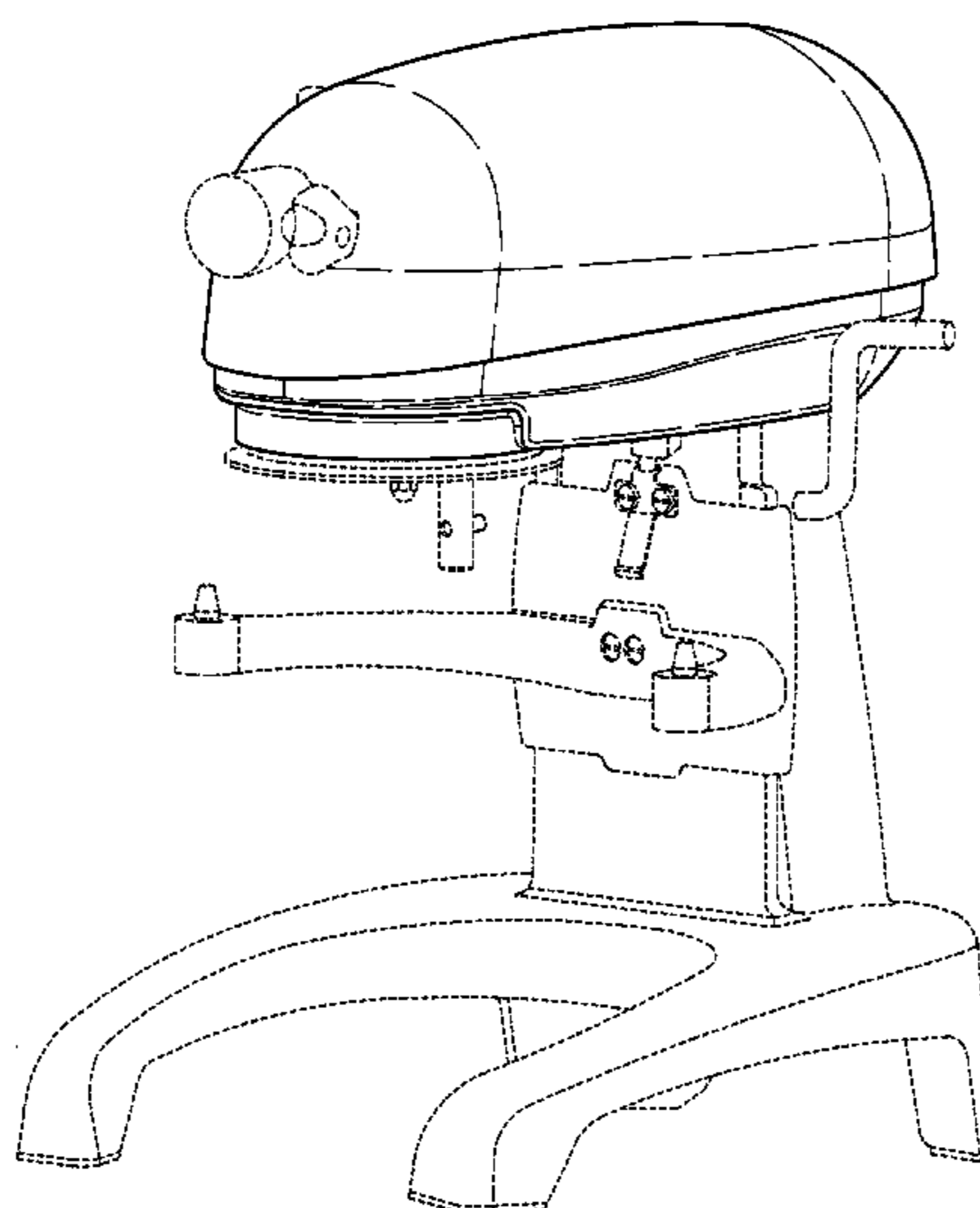
FIG. 6 is a rear view of FIG. 1;

FIG. 7 is a top view of FIG. 1; and,

FIG. 8 is a bottom view of FIG. 1.

The broken lines shown in the drawings are for illustrative purposes only and form no part of the claimed design.

1 Claim, 8 Drawing Sheets



US D603,214 S

Page 2

U.S. PATENT DOCUMENTS

D540,113 S	4/2007	Short et al.	2002/0181322 A1	12/2002	Brusnwick et al.
7,273,315 B2	9/2007	Huang et al.	2004/0022124 A1	2/2004	Yoshioka
D564,297 S	3/2008	Short et al.	2004/0120216 A1	6/2004	Donthnier et al.
D564,298 S	3/2008	Short et al.	2004/0208082 A1	10/2004	Huang et al.
7,384,187 B2	6/2008	Blackburn et al.	2005/0141340 A1	6/2005	Donthnier et al.
7,387,430 B2	6/2008	Short et al.	2006/0198240 A1*	9/2006	Short et al. 366/197

* cited by examiner

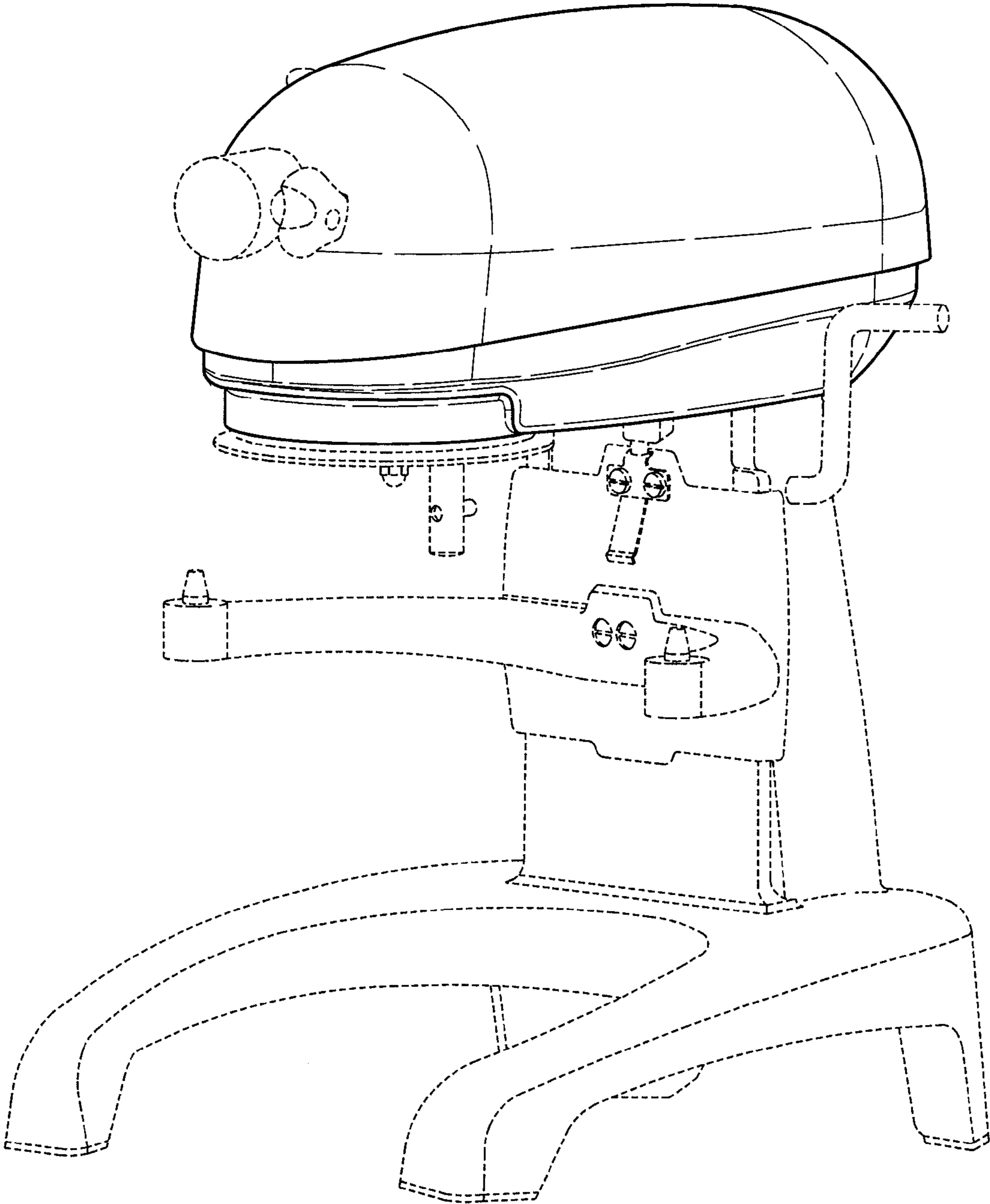


Fig. 1

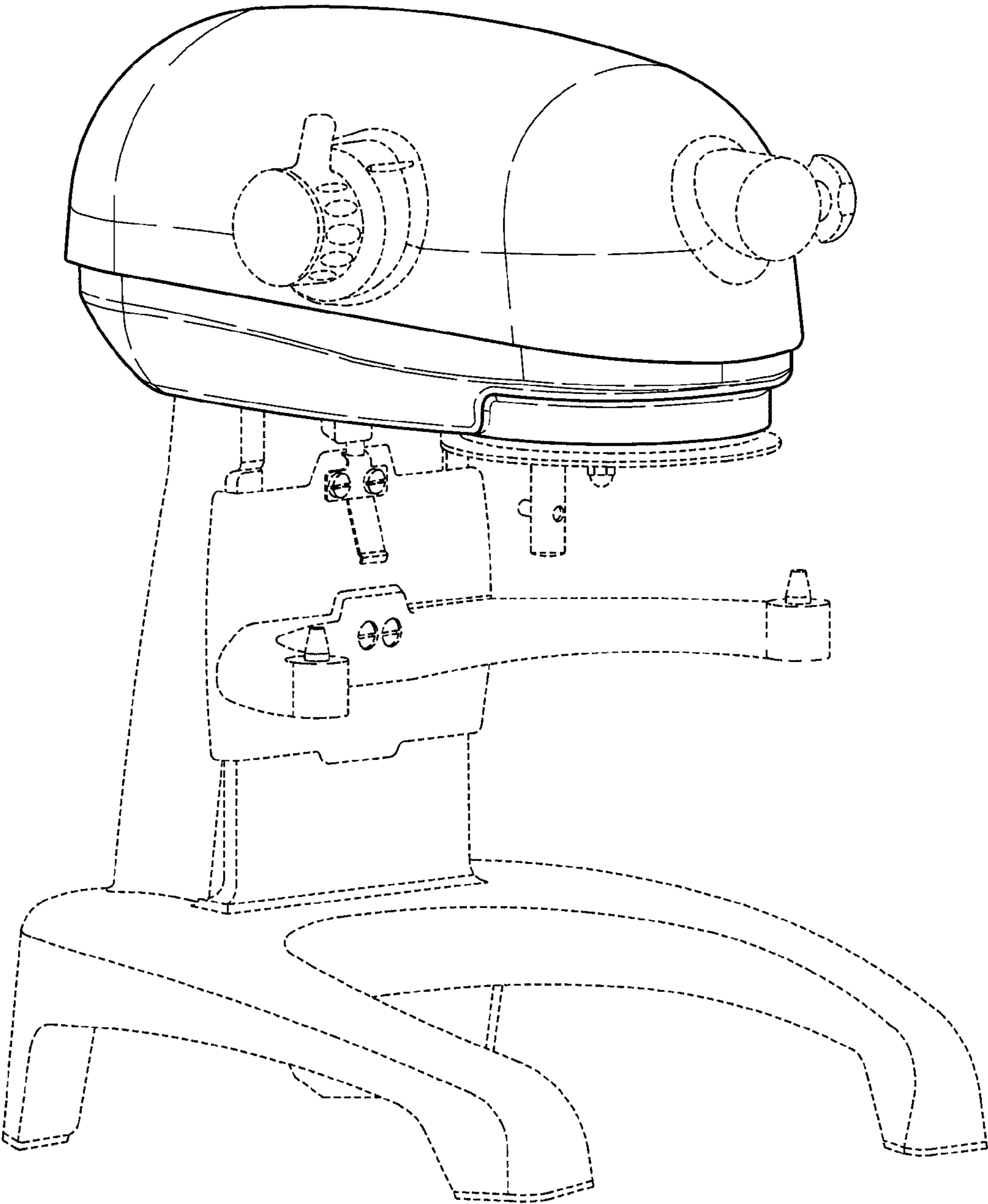


Fig. 2

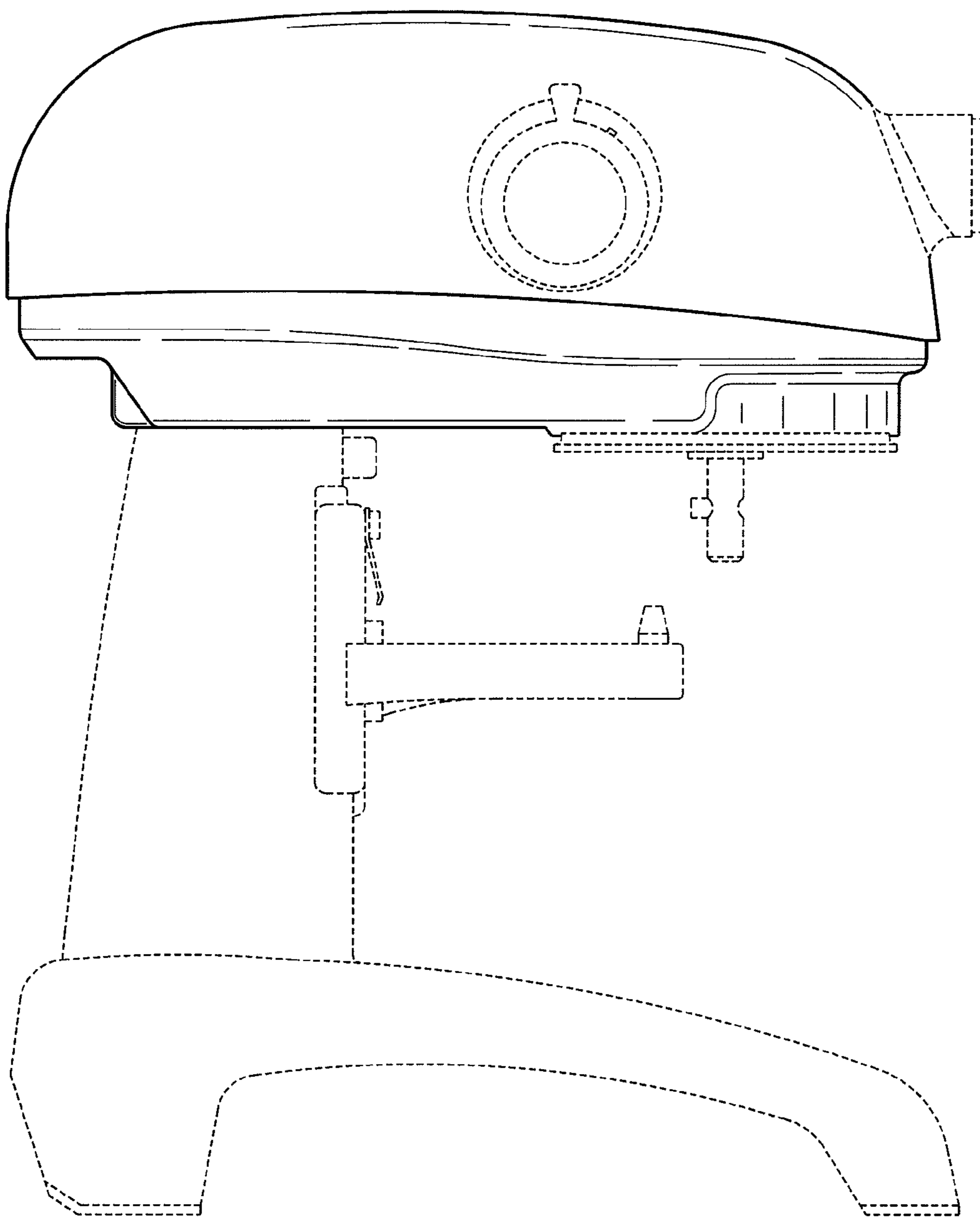


Fig. 3

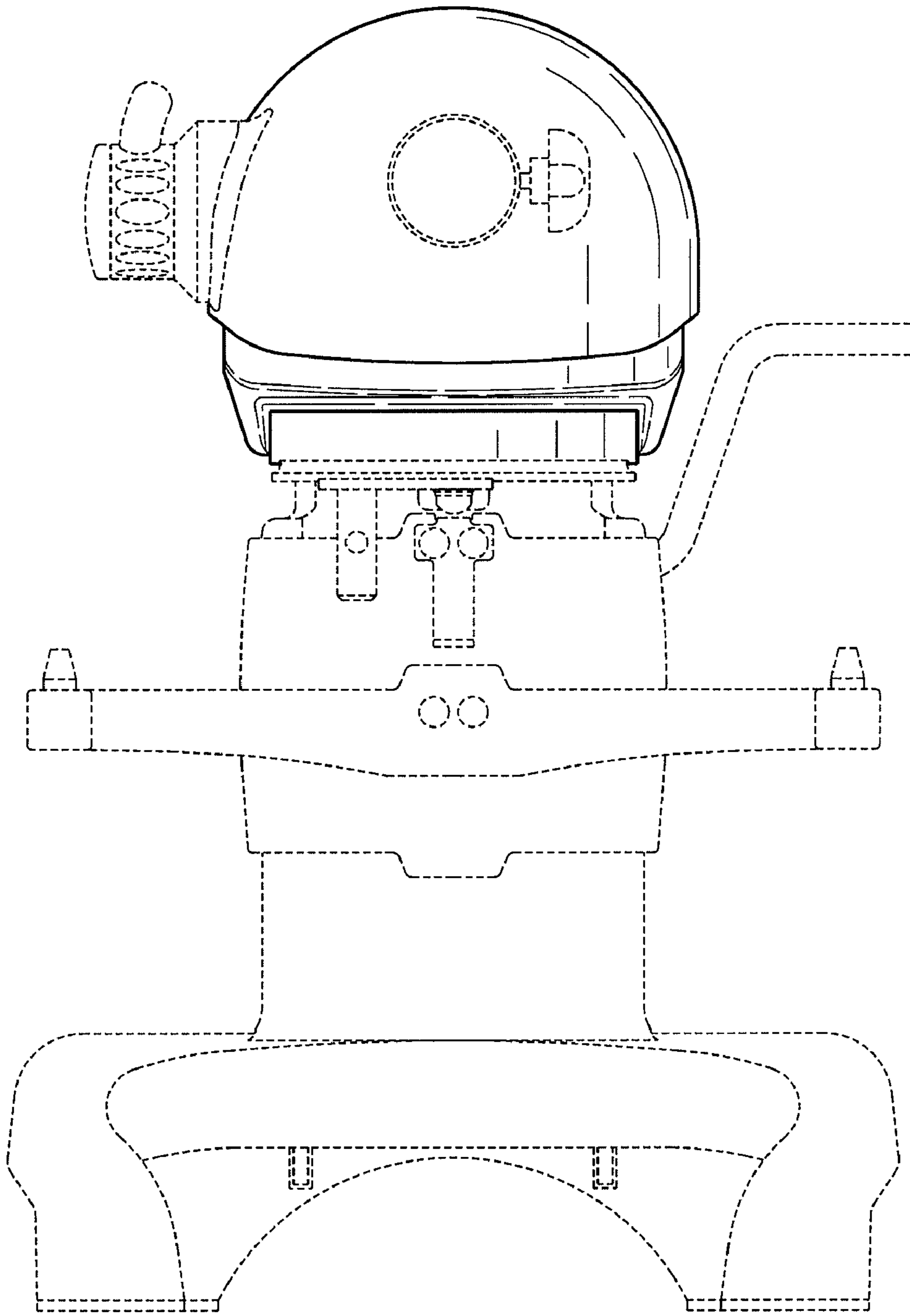


Fig. 4

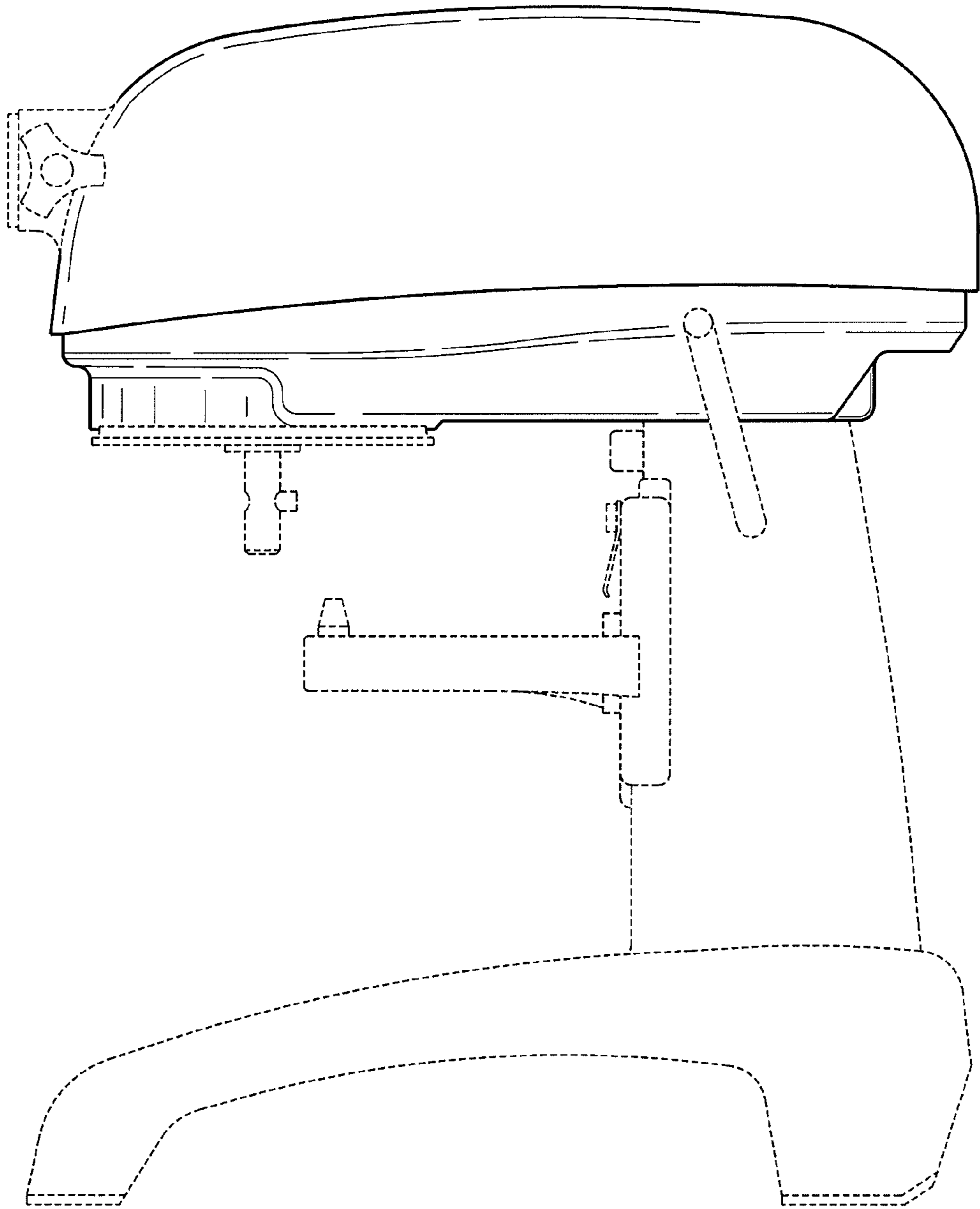


Fig. 5

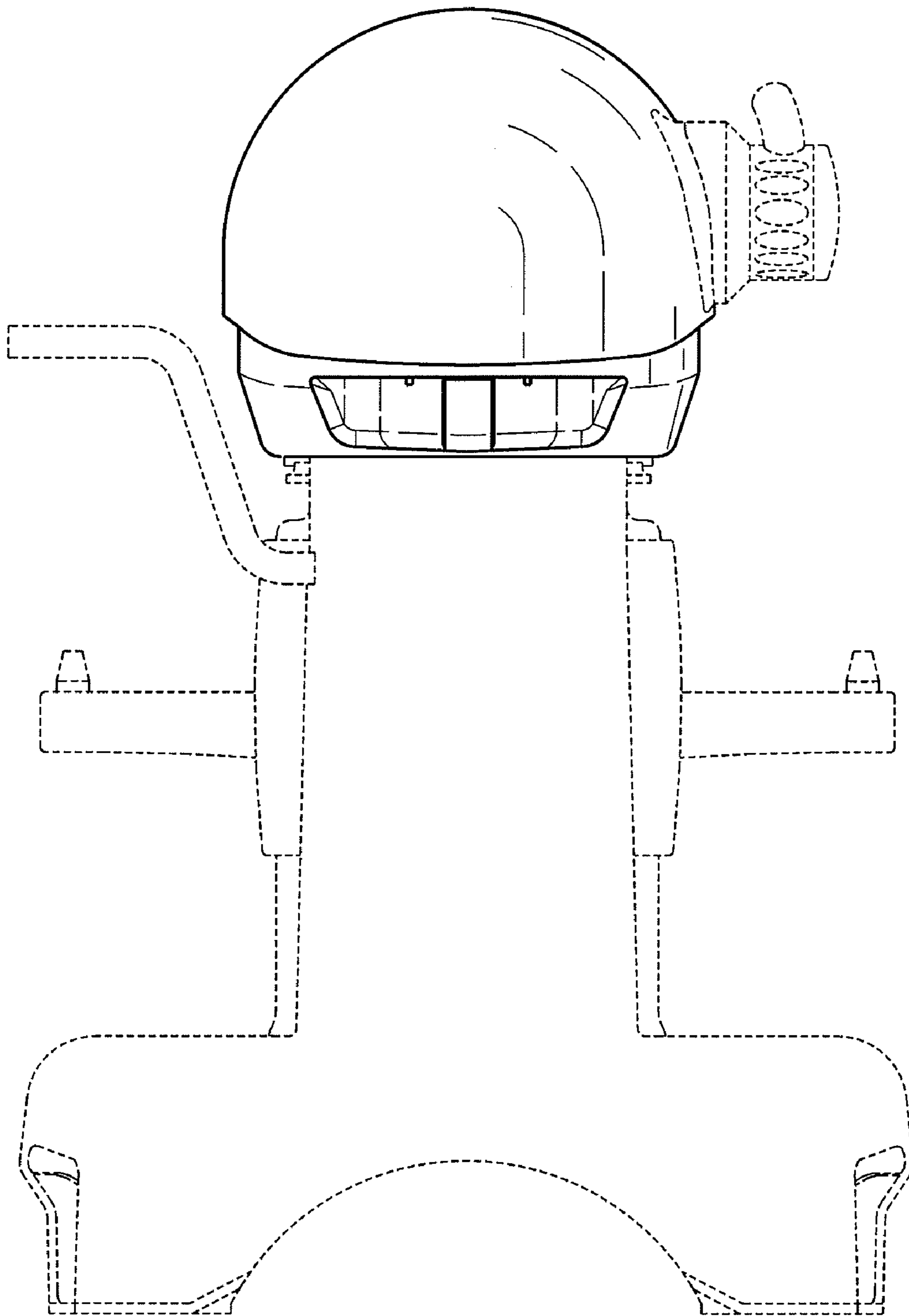


Fig. 6

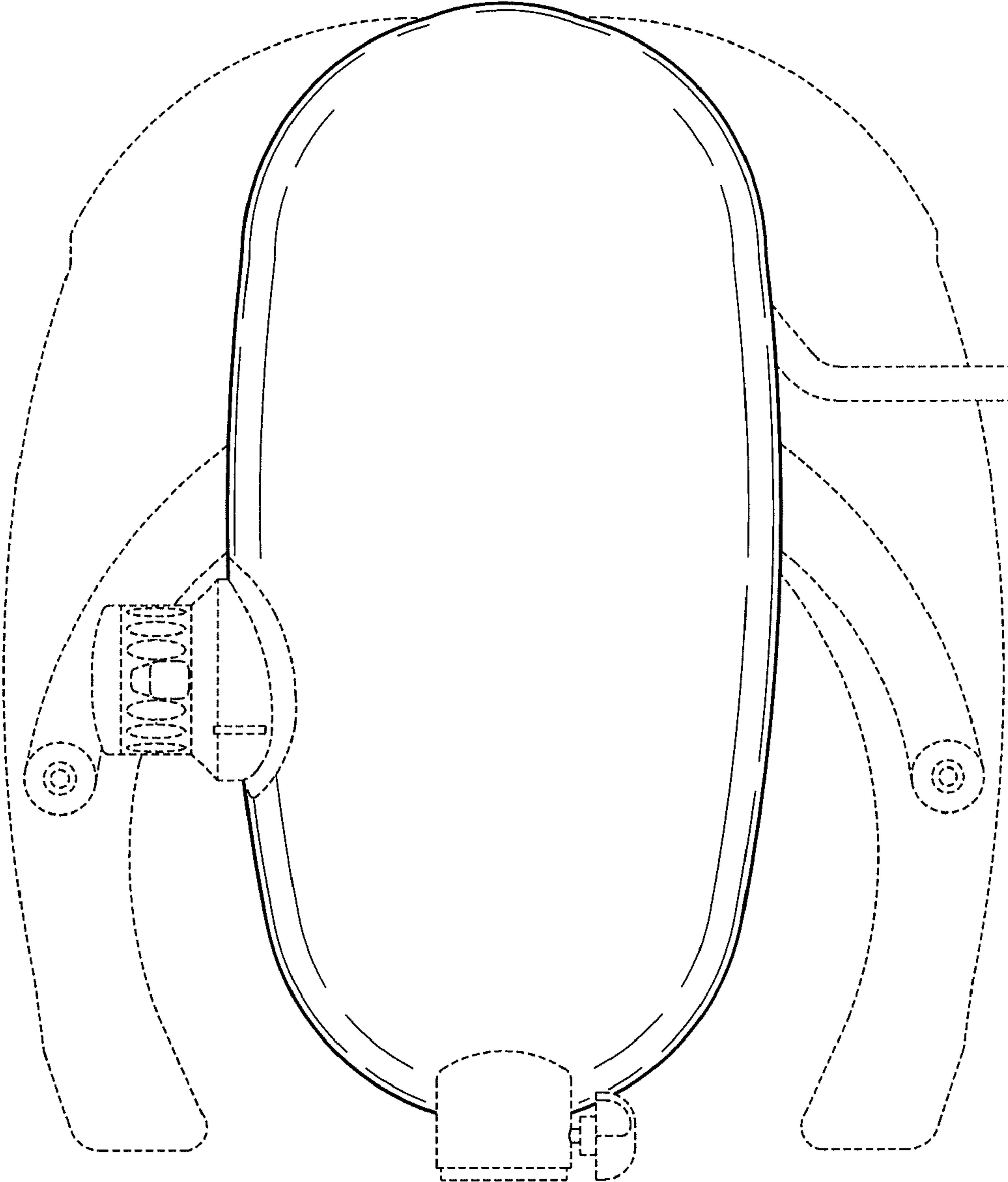


Fig. 7

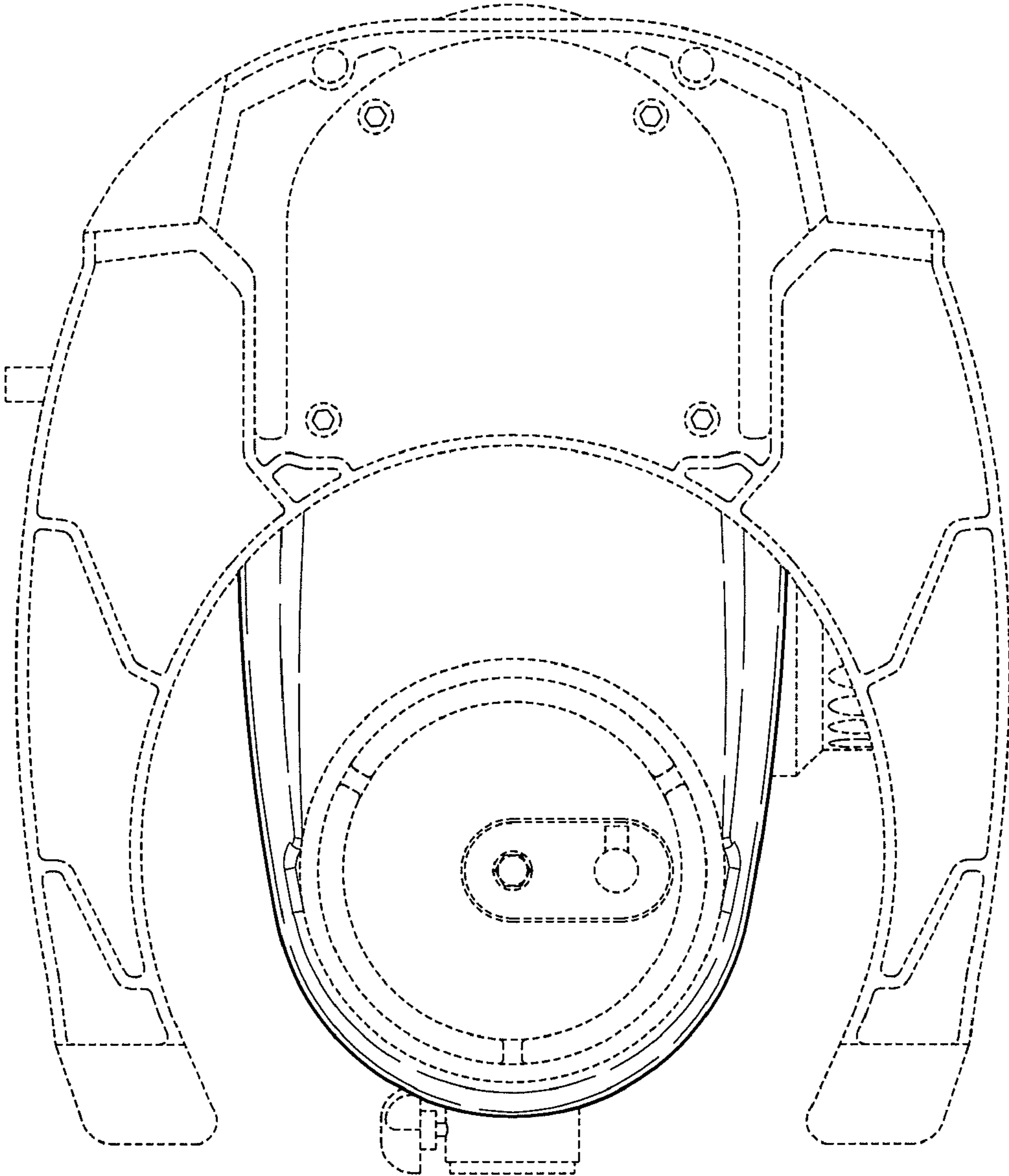


Fig. 8