



US00D603213S

(12) **United States Design Patent**
Ek

(10) **Patent No.:** **US D603,213 S**
(45) **Date of Patent:** **** Nov. 3, 2009**

(54) **SAUCEPAN**

(75) Inventor: **Peter Ek**, Jarfalla (SE)

(73) Assignee: **OBH Nordica Holding A/S**, Taastrup (DK)

(**) Term: **14 Years**

(21) Appl. No.: **29/311,204**

(22) Filed: **Jan. 15, 2009**

D327,609 S	7/1992	Carlson	
D330,863 S	11/1992	Green	
5,388,732 A	2/1995	Greger	
5,653,881 A	8/1997	Bruss et al.	
D386,940 S	12/1997	Hess	
5,730,045 A	3/1998	Delaquis et al.	
D420,848 S *	2/2000	Neidigh	D7/360
D440,501 S *	4/2001	Dorion et al.	D10/46.2
D443,170 S *	6/2001	Brest	D7/315
D455,315 S *	4/2002	Cheng	D7/354
D455,599 S	4/2002	Cheng	
6,419,107 B1	7/2002	Cheng	
D577,249 S *	9/2008	Currie	D7/354
D587,062 S *	2/2009	Ek	D7/354

Related U.S. Application Data

(62) Division of application No. 29/300,757, filed on May 6, 2008, now Pat. No. Des. 587,062.

Foreign Application Priority Data

(30)

Nov. 8, 2007	(EM)	000822879-001
Nov. 8, 2007	(EM)	000822879-002
Nov. 8, 2007	(EM)	000822879-003

(51) **LOC (9) Cl.** **07-02**

(52) **U.S. Cl.** **D7/360**

(58) **Field of Classification Search** D7/315,
D7/323, 354-361, 365, 378-379, 383-384,
D7/391-396.1, 402, 542-543, 545, 560, 584-588,
D7/667; D10/46.2; 99/324, 340, 337, 422,
99/425, 445; 219/620-621, 725-730; 220/366.1,
220/573.1-574, 769, 912; 222/189.07, 545,
222/572

See application file for complete search history.

(56) **References Cited**

U.S. PATENT DOCUMENTS

757,281 A *	4/1904	De Sachet	222/189.07
2,185,897 A	10/1940	Krause	
2,303,841 A	12/1942	Kircher	
2,561,806 A	7/1951	Emile	
D172,839 S	8/1954	Olswang	
4,310,418 A	1/1982	Busbey	

OTHER PUBLICATIONS

Ek, Parent U.S. Appl. No. 29/300,757, filed May 6, 2008.

* cited by examiner

Primary Examiner—Caron Veynar

Assistant Examiner—Ricky Pham

(74) *Attorney, Agent, or Firm*—Nixon & Vanderhye P.C.

(57) **CLAIM**

The ornamental design for a saucepan, as shown and described.

DESCRIPTION

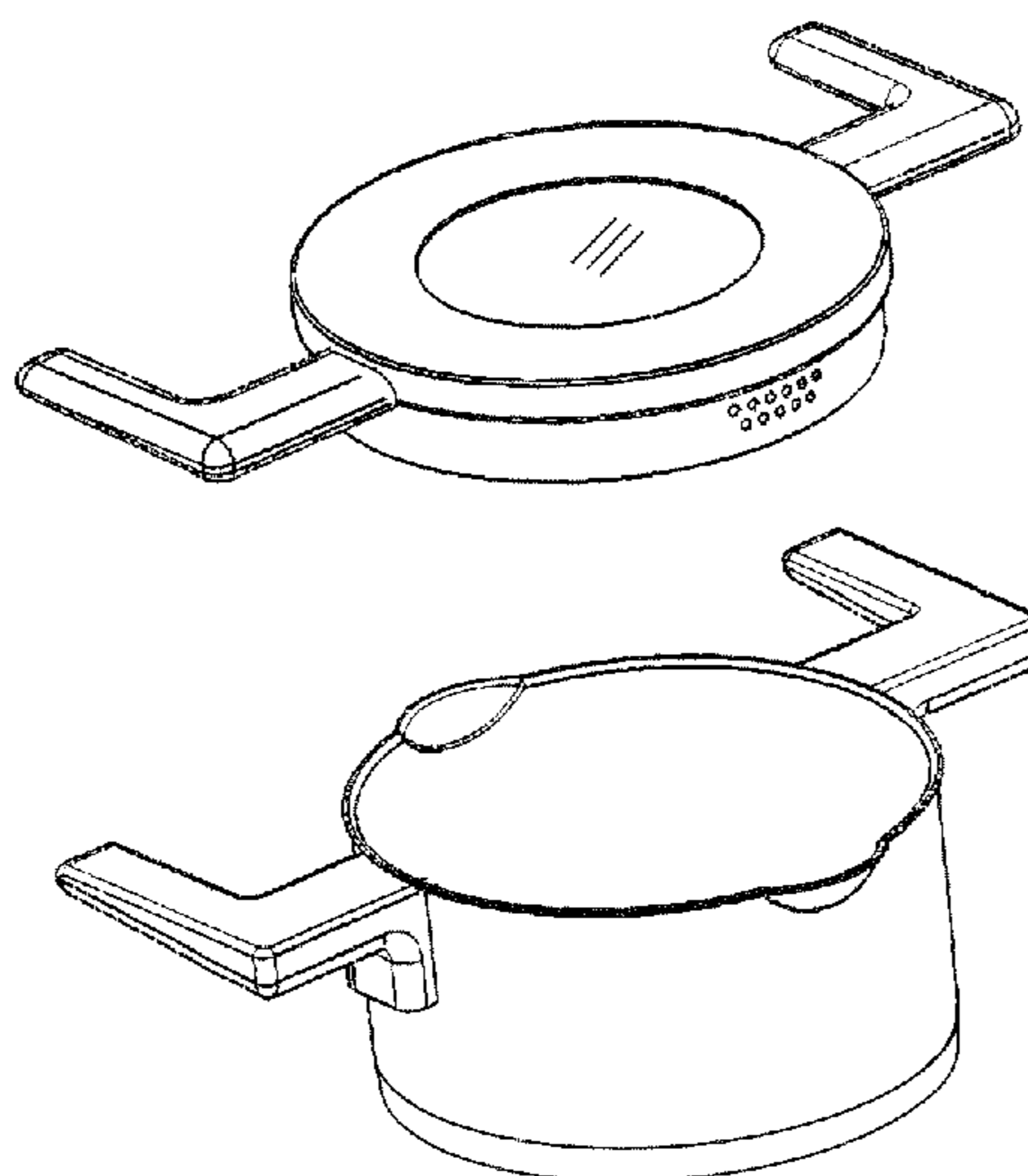
FIG. 1 is a front view of a saucepan according to my design; FIG. 2 is a right side view thereof, with the left side view being a mirror image thereof;

FIG. 3 is a bottom view thereof;

FIG. 4 is an exploded bottom perspective view thereof; shown with the pan and the lid being separated for ease of illustration; and,

FIG. 5 is an exploded top perspective view thereof, shown with the pan and the lid being separated for ease of illustration.

1 Claim, 3 Drawing Sheets



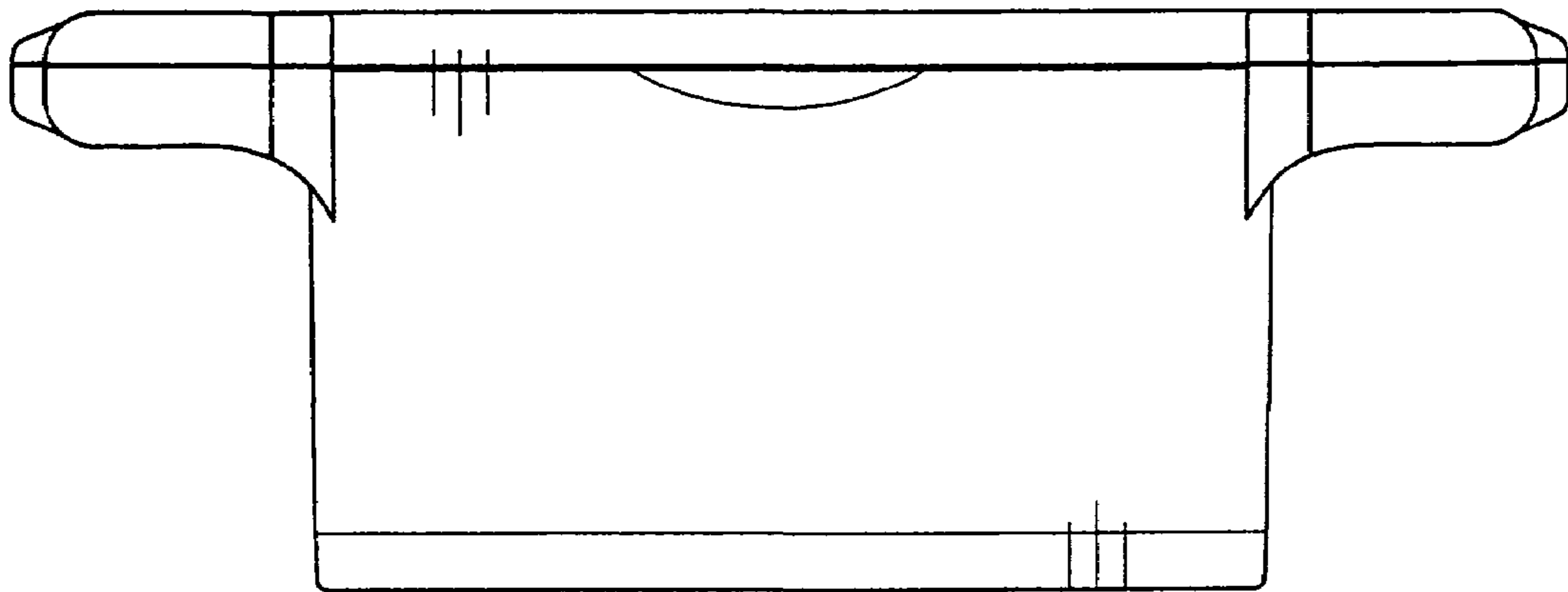


FIG. 1

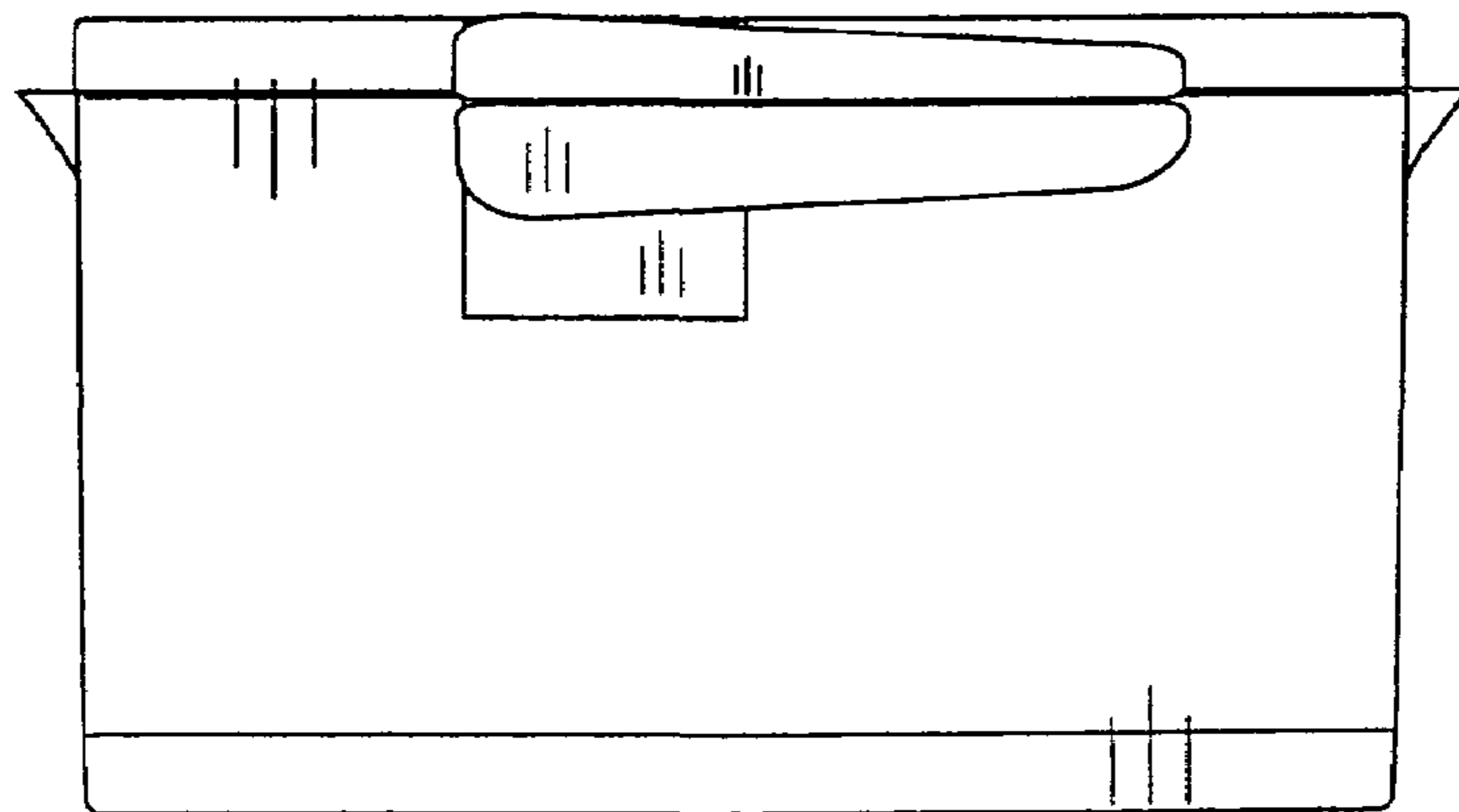


FIG. 2

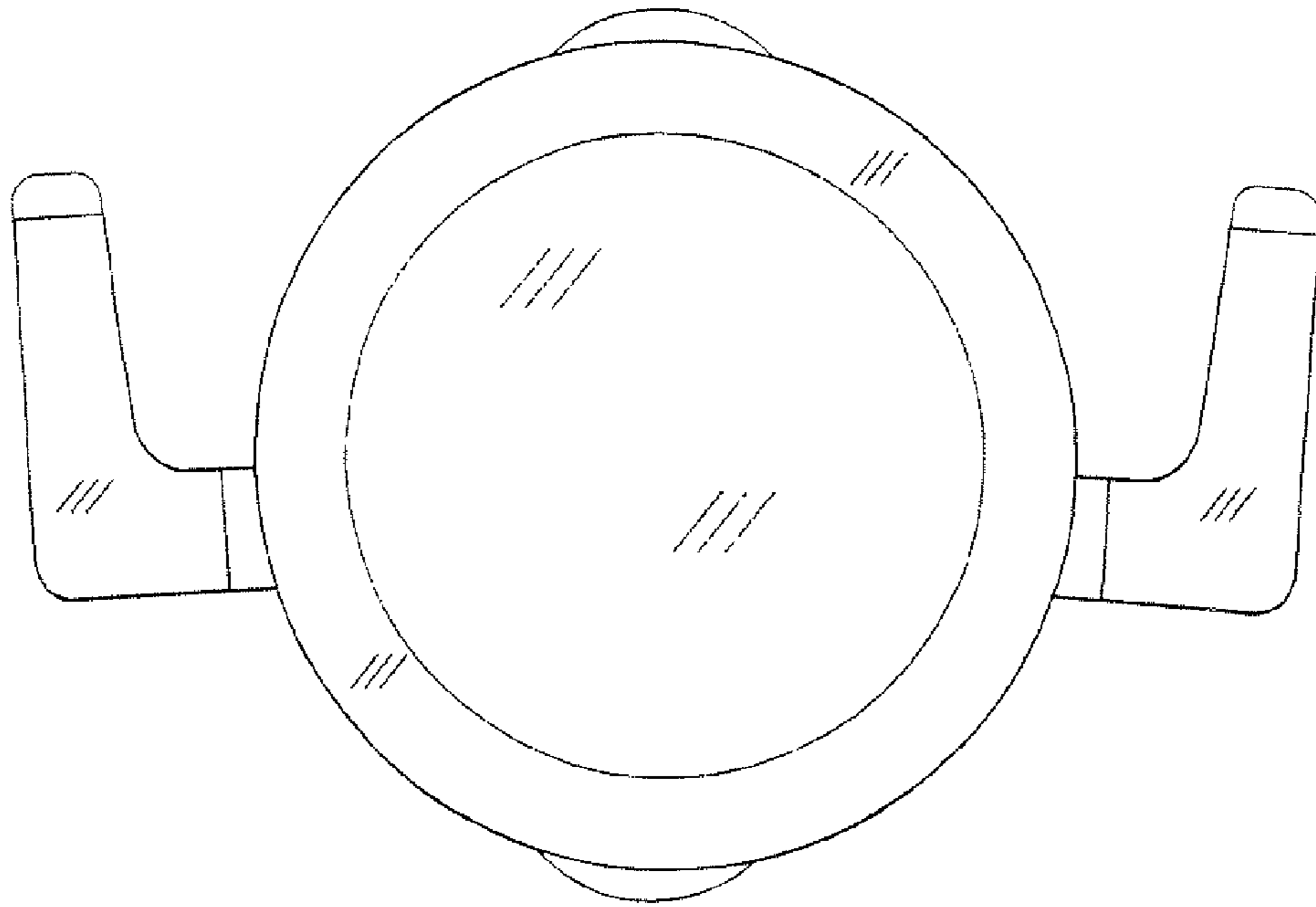


FIG. 3

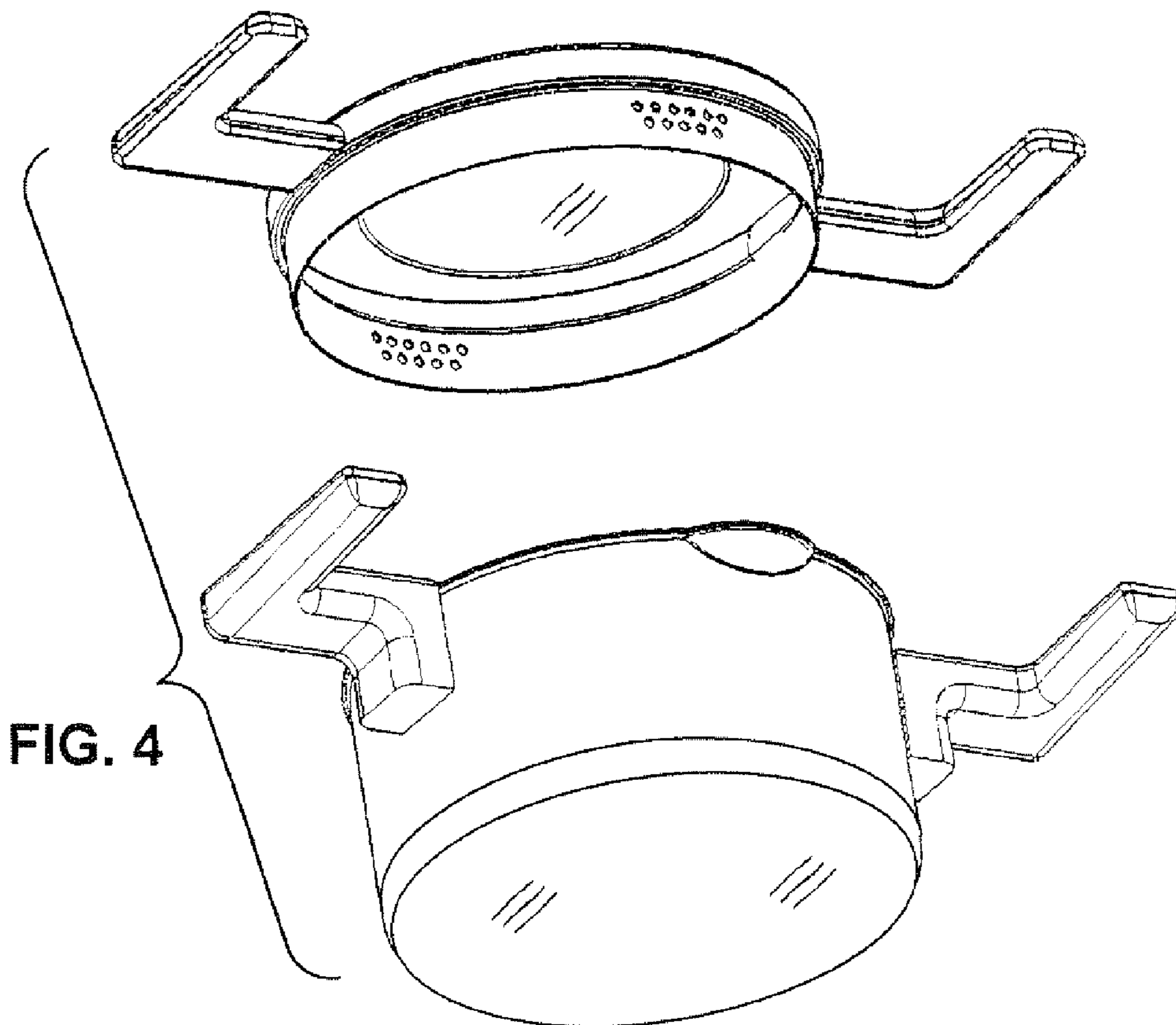


FIG. 4

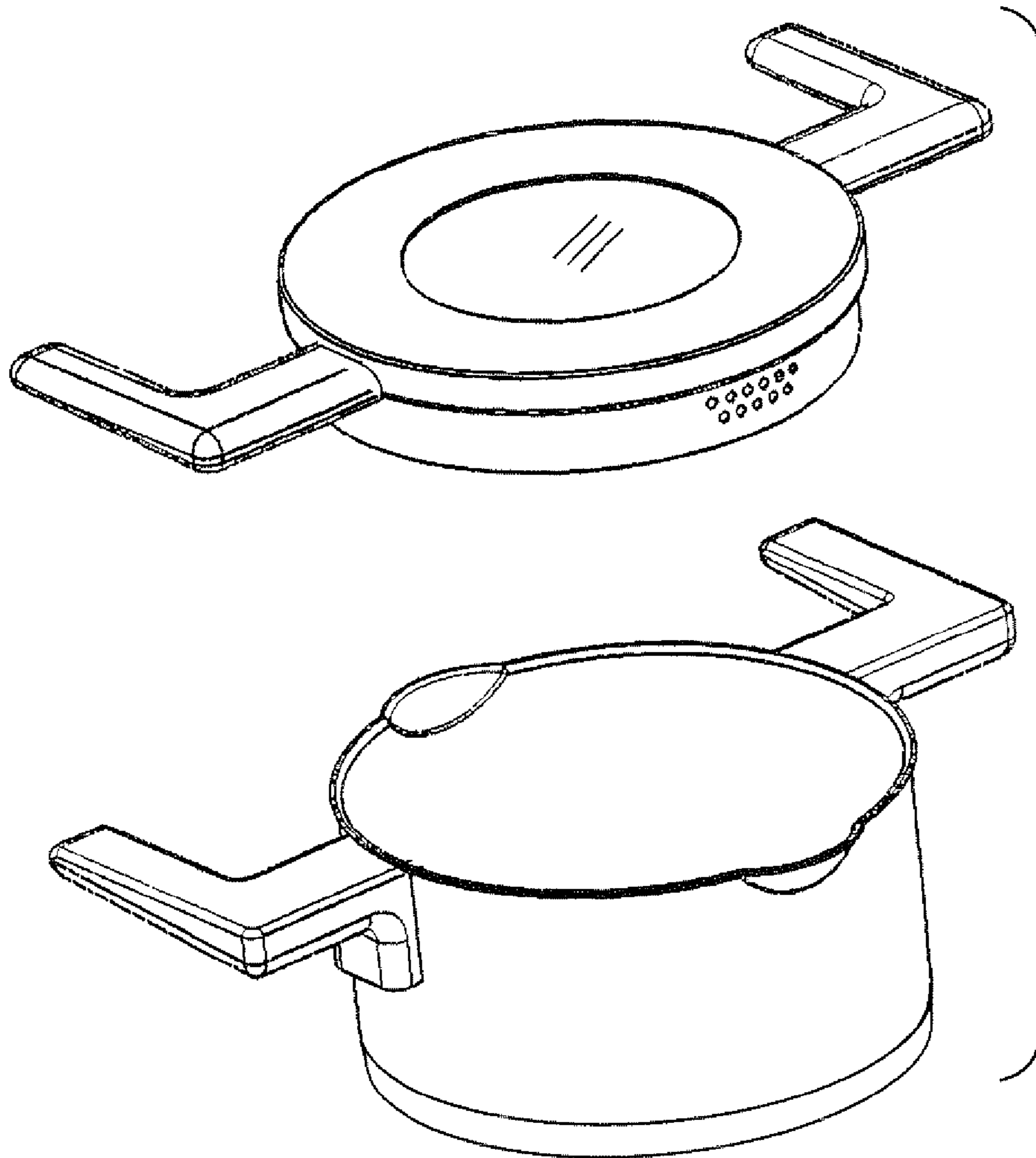


FIG. 5