



US00D603211S

(12) **United States Design Patent**  
**Ek**

(10) **Patent No.:** **US D603,211 S**  
(45) **Date of Patent:** **\*\* Nov. 3, 2009**

(54) **SAUCEPAN WITH LID**

(75) Inventor: **Peter Ek**, Järfälla (SE)

(73) Assignee: **OBH Nordica Holding A/S**, Taastrup (DK)

(\*\*) Term: **14 Years**

(21) Appl. No.: **29/311,332**

(22) Filed: **Feb. 24, 2009**

(30) **Foreign Application Priority Data**

Sep. 5, 2008 (EM) ..... 998083

(51) **LOC (9) Cl.** ..... **07-02**

(52) **U.S. Cl.** ..... **D7/354**

(58) **Field of Classification Search** ..... D7/323,  
D7/354-361, 365, 378-379, 383-384, 391-396.1,  
D7/402, 542-543, 545, 560, 584-588, 667;  
99/337, 422, 425, 445; 219/620-621, 725-730;  
220/573.1-574, 743, 769, 912; 222/545,  
222/572

See application file for complete search history.

(56) **References Cited**

**U.S. PATENT DOCUMENTS**

- D216,324 S \* 12/1969 Yamamoto ..... D7/356
- 4,026,435 A \* 5/1977 Hendon ..... 220/743
- D264,540 S \* 5/1982 Otake ..... D7/360
- D265,161 S \* 6/1982 Otake ..... D7/360
- D579,716 S \* 11/2008 Pawson et al. .... D7/361
- D587,062 S \* 2/2009 Ek ..... D7/354

\* cited by examiner

*Primary Examiner*—Caron Veynar

*Assistant Examiner*—Ricky Pham

(74) *Attorney, Agent, or Firm*—Nixon & Vanderhye P.C.

(57) **CLAIM**

The ornamental design for a “saucepan with lid,” as shown and described.

**DESCRIPTION**

FIG. 1 is a top perspective view of the saucepan and the lid with aligned handles.

FIG. 2 is a bottom perspective view of the saucepan and the lid with aligned handles.

FIG. 3 is a front view of the saucepan and the lid with aligned handles.

FIG. 4 is a rear view of the saucepan and the lid with aligned handles.

FIG. 5 is a first side view of the saucepan and the lid with aligned handles.

FIG. 6 is a second side view of the saucepan and the lid with aligned handles.

FIG. 7 is a top view of the saucepan and the lid with aligned handles.

FIG. 8 is a bottom view of the saucepan and the lid with aligned handles.

FIG. 9 is a top perspective view of the saucepan and the lid with misaligned handles.

FIG. 10 is a bottom perspective view of the saucepan and the lid with misaligned handles.

FIG. 11 is a front view of the saucepan and the lid with misaligned handles.

FIG. 12 is a rear view of the saucepan and the lid with misaligned handles.

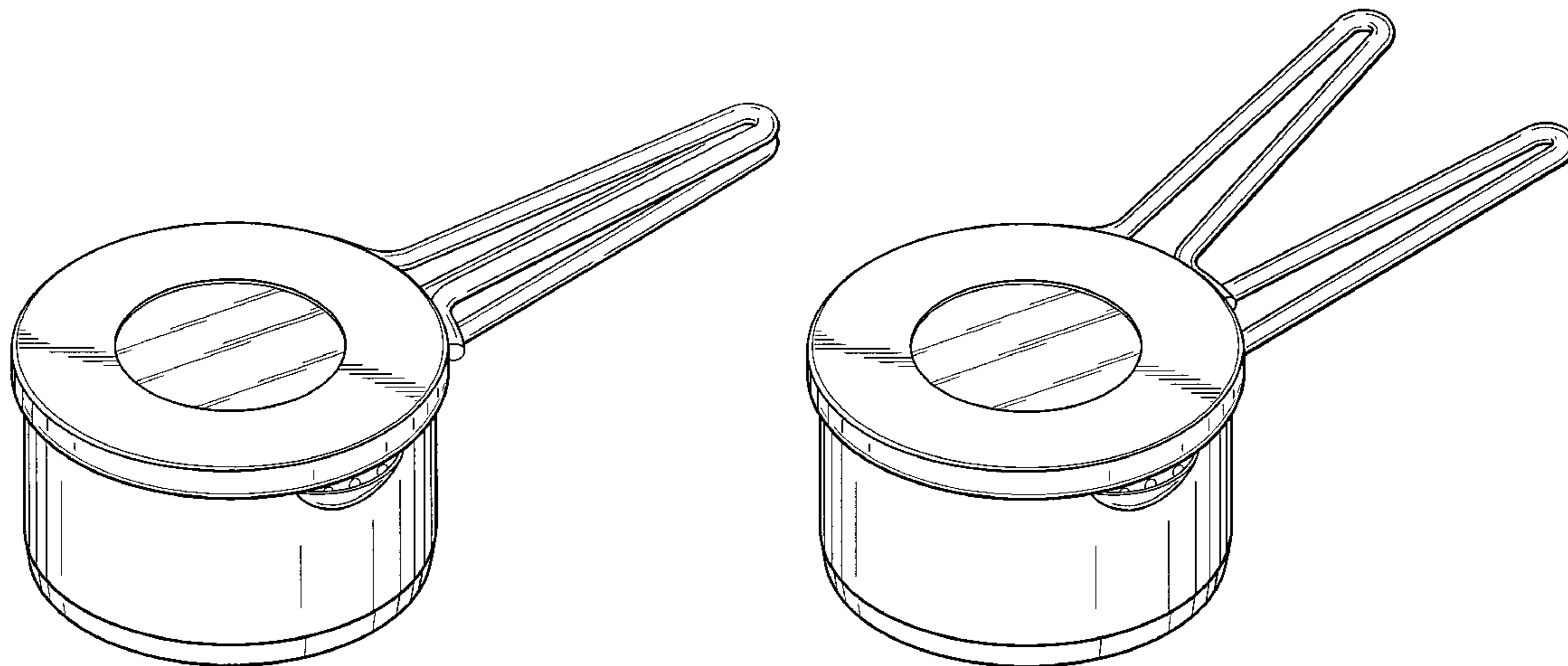
FIG. 13 is a first side view of the saucepan and the lid with misaligned handles.

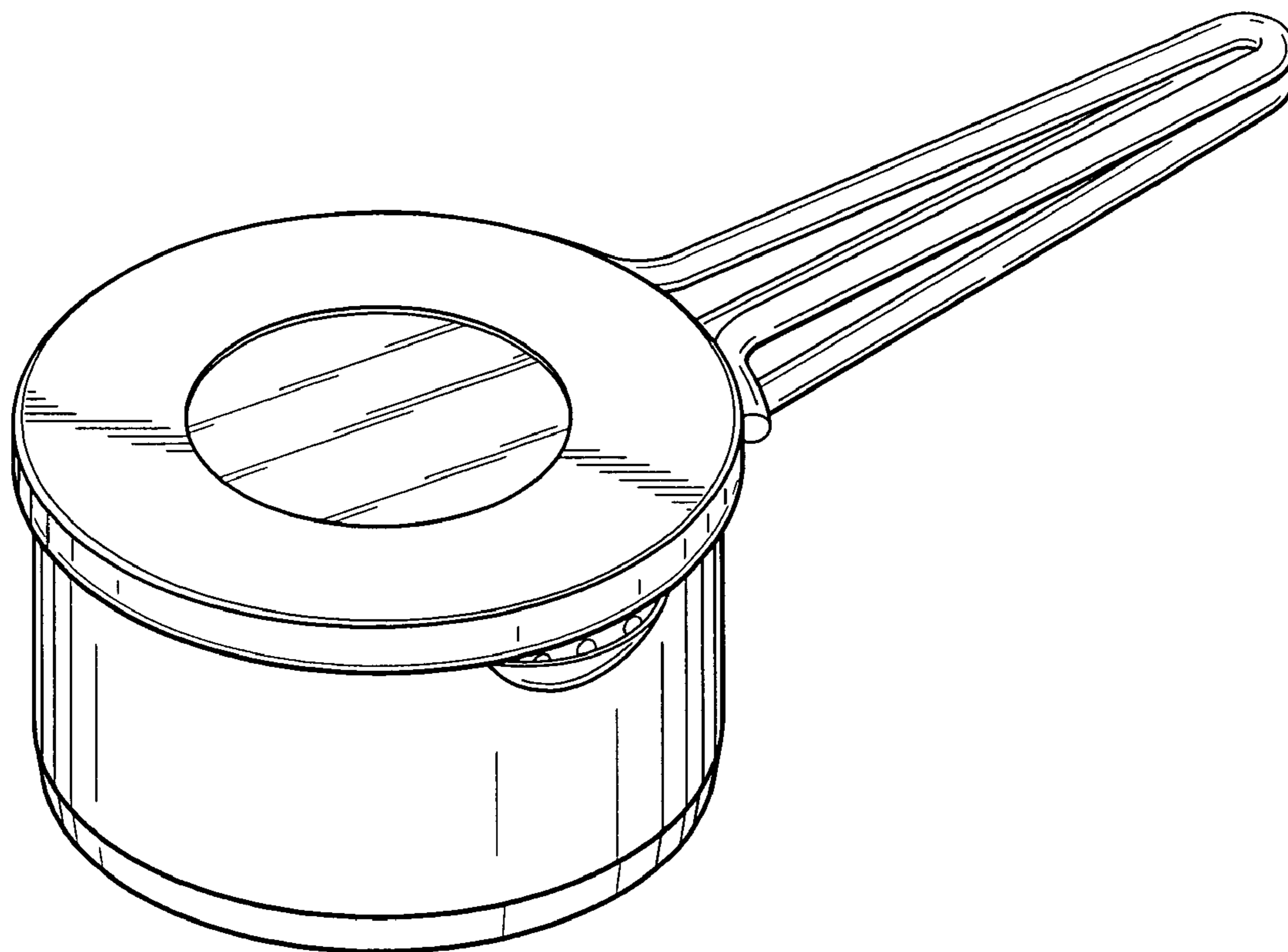
FIG. 14 is a second side view of the saucepan and the lid with misaligned handles.

FIG. 15 is a top view of the saucepan and the lid with misaligned handles; and,

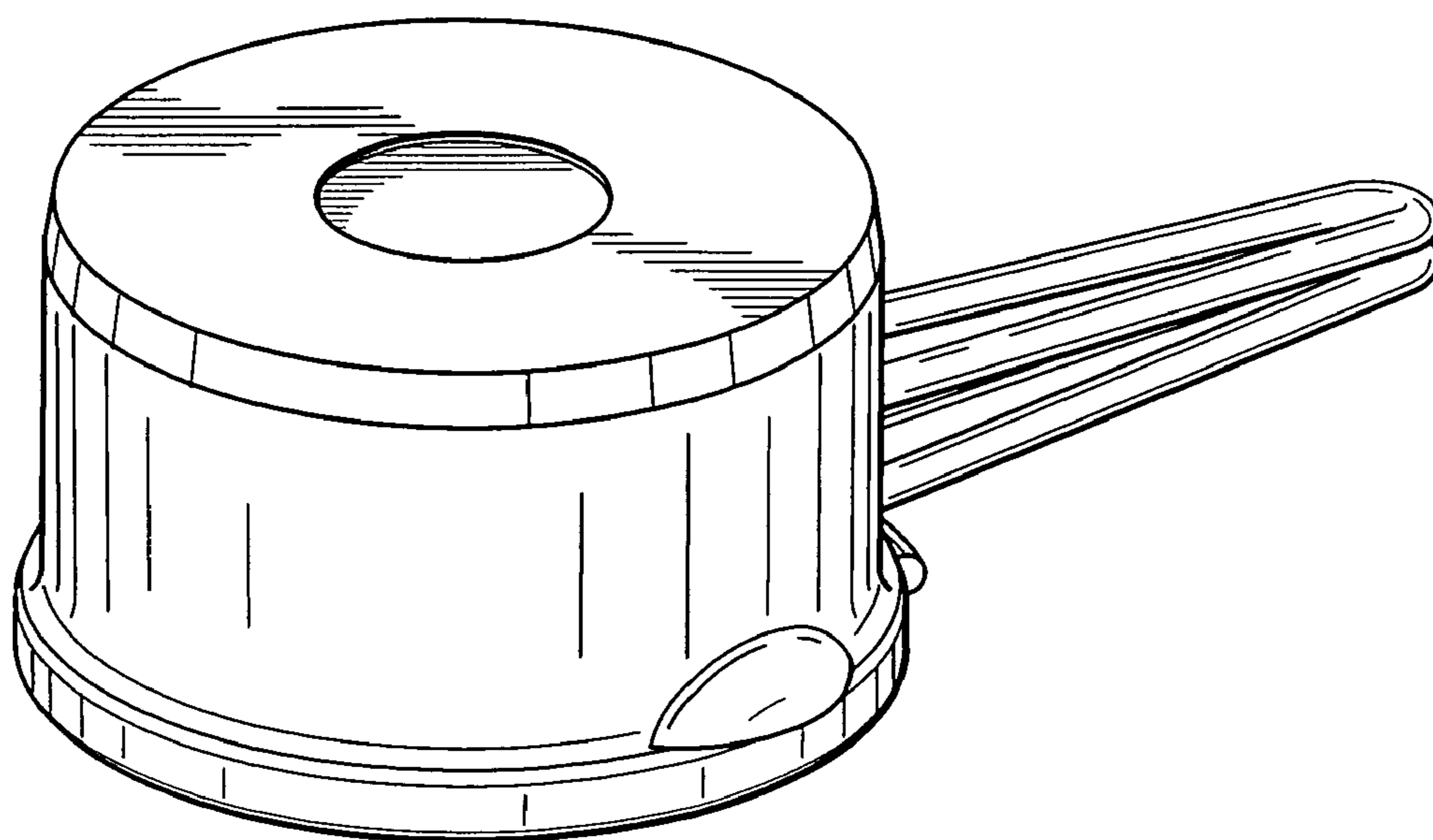
FIG. 16 is a bottom view of the saucepan and the lid with misaligned handles.

**1 Claim, 8 Drawing Sheets**

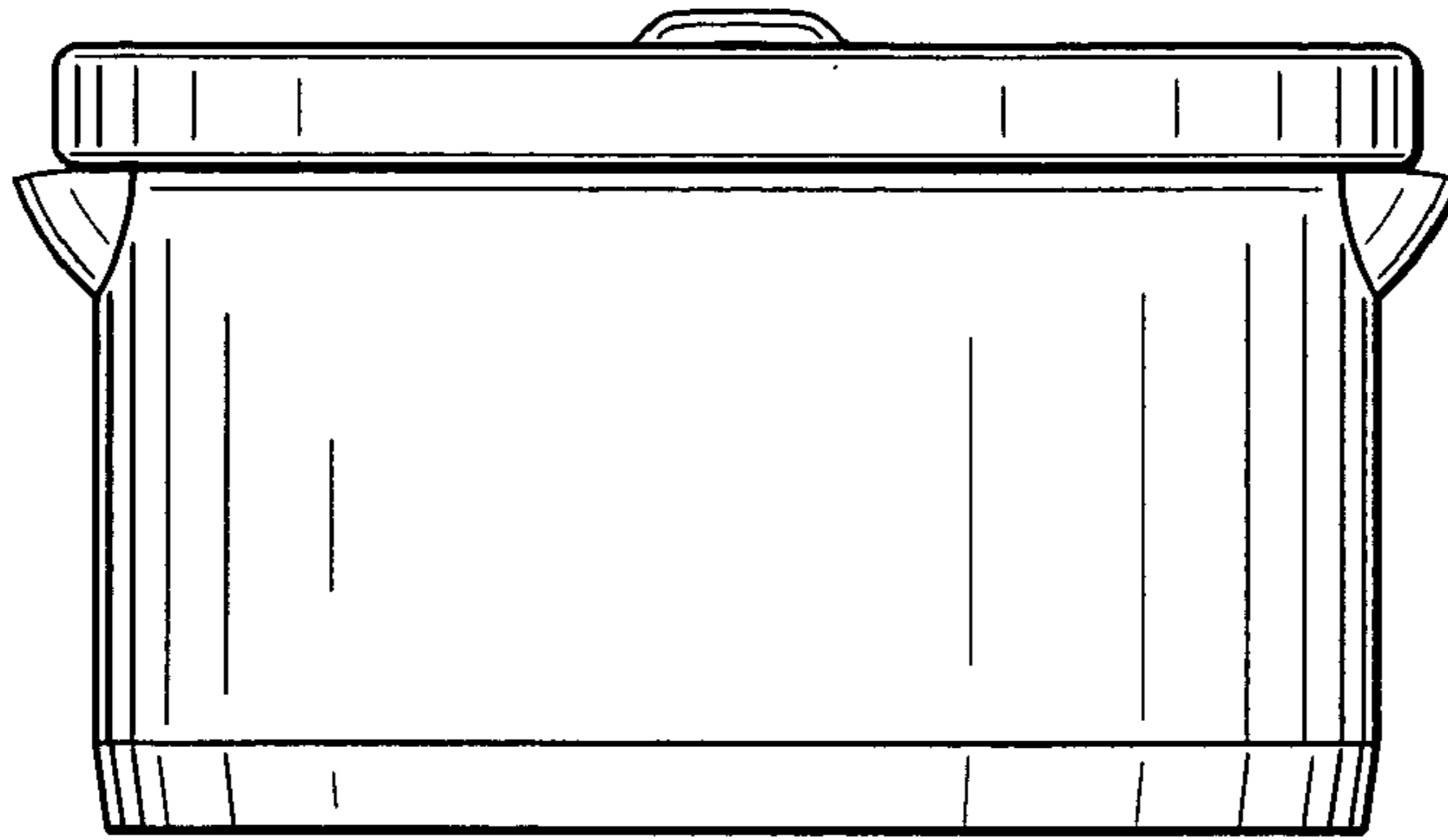




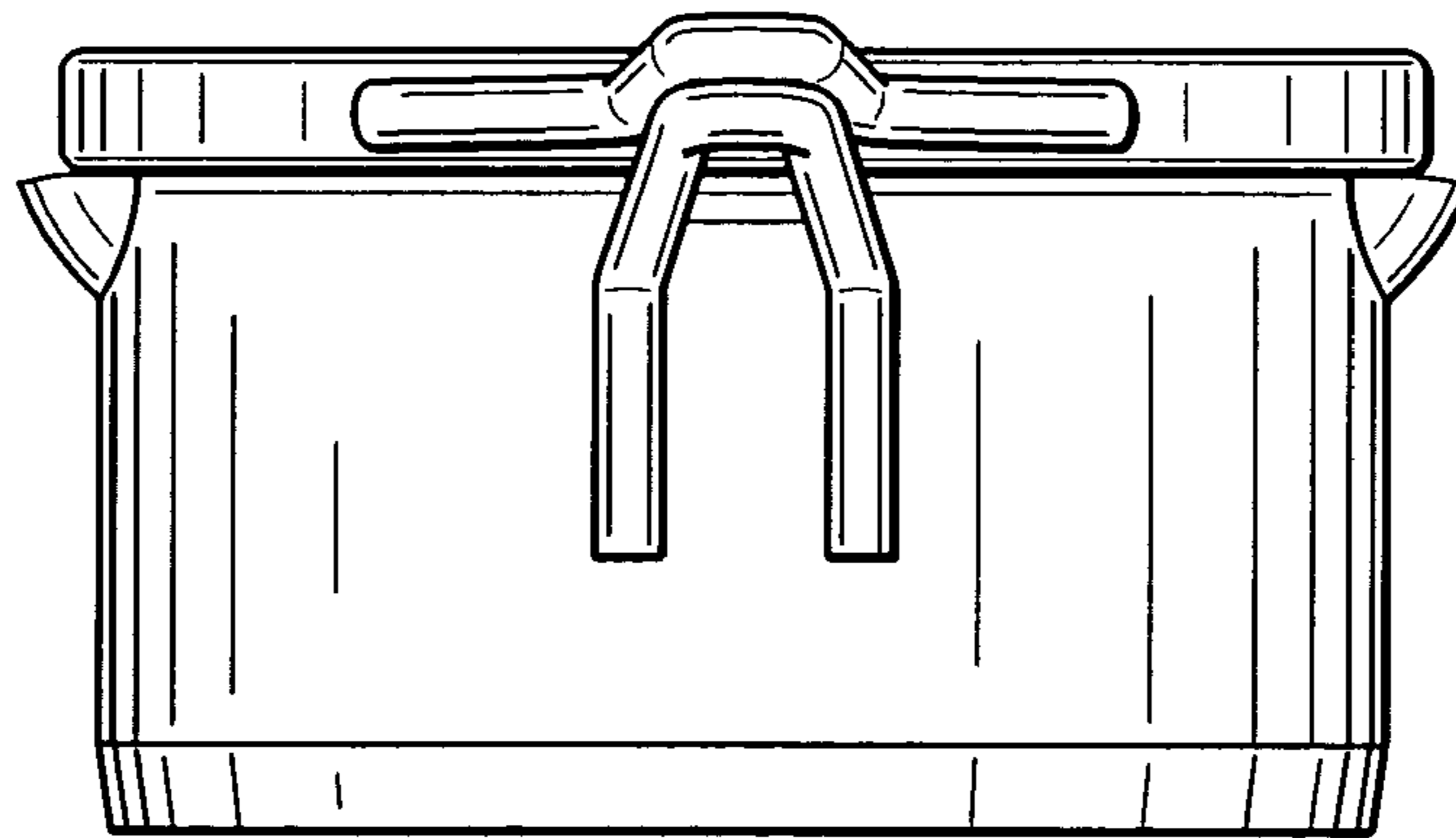
**FIG. 1**



**FIG. 2**



**FIG. 3**



**FIG. 4**

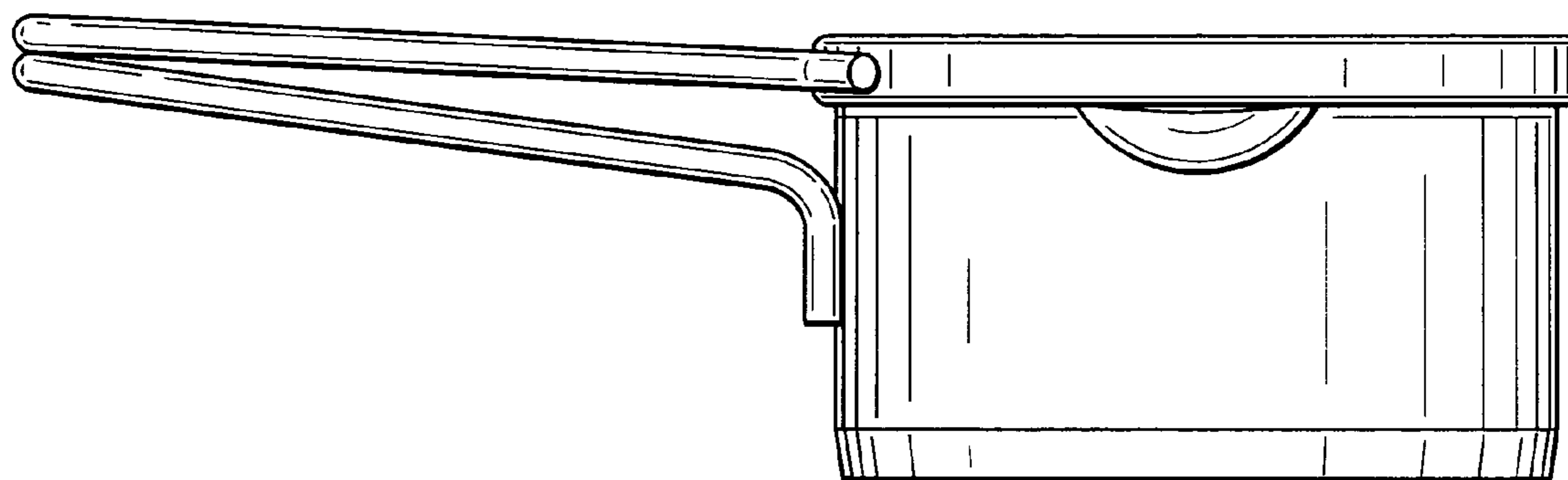


FIG. 5

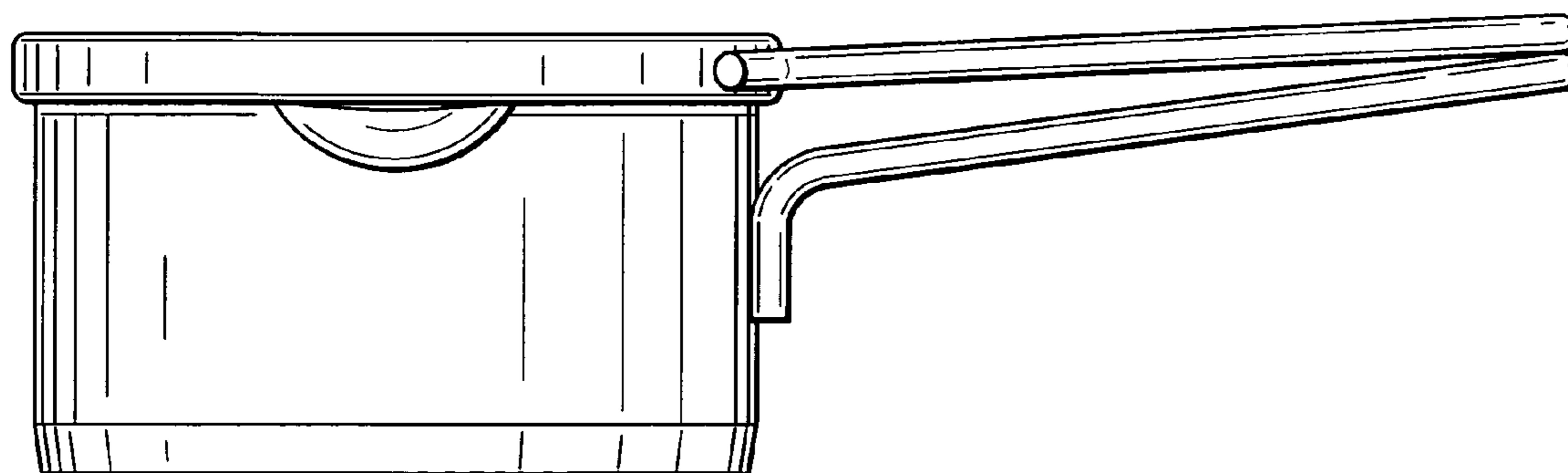


FIG. 6

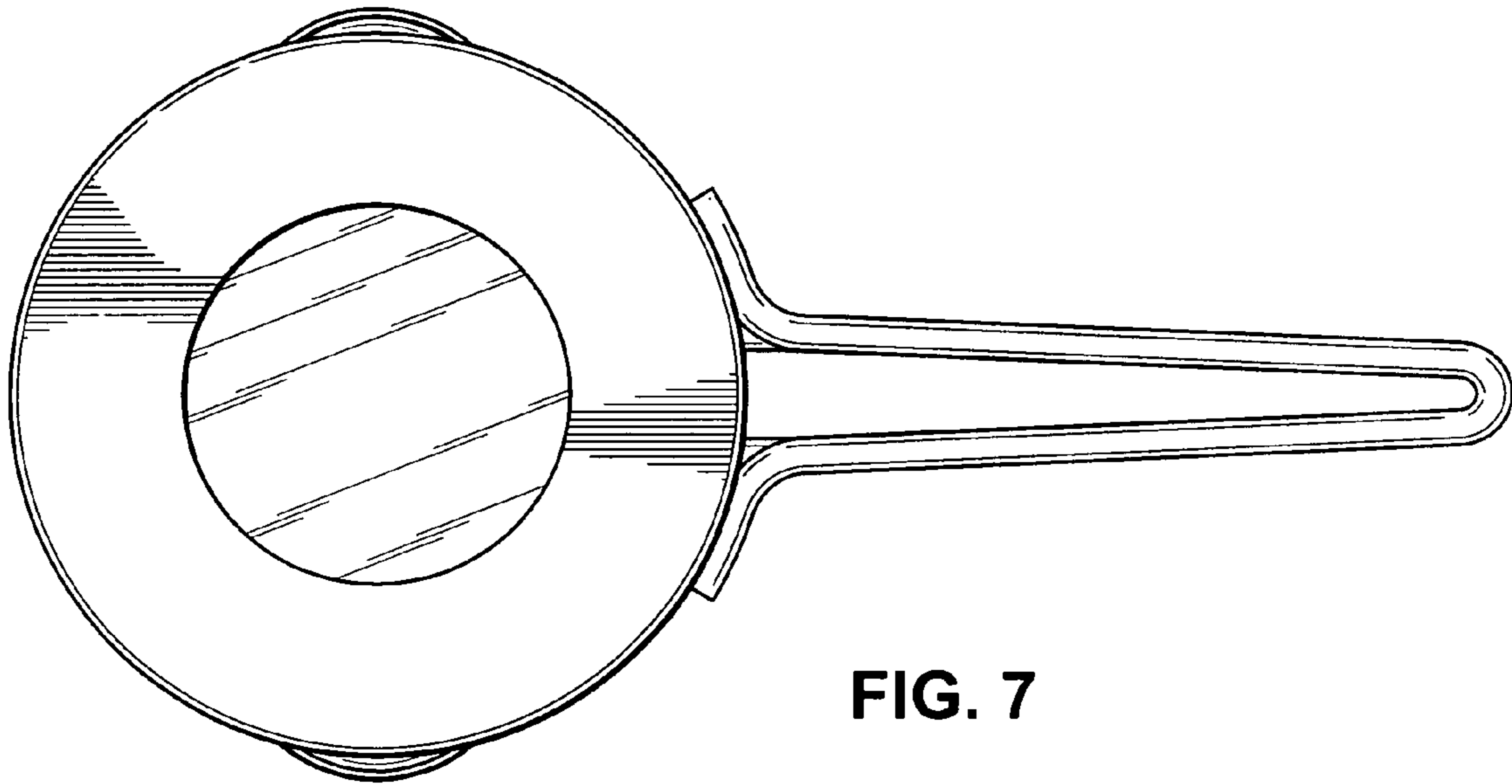


FIG. 7

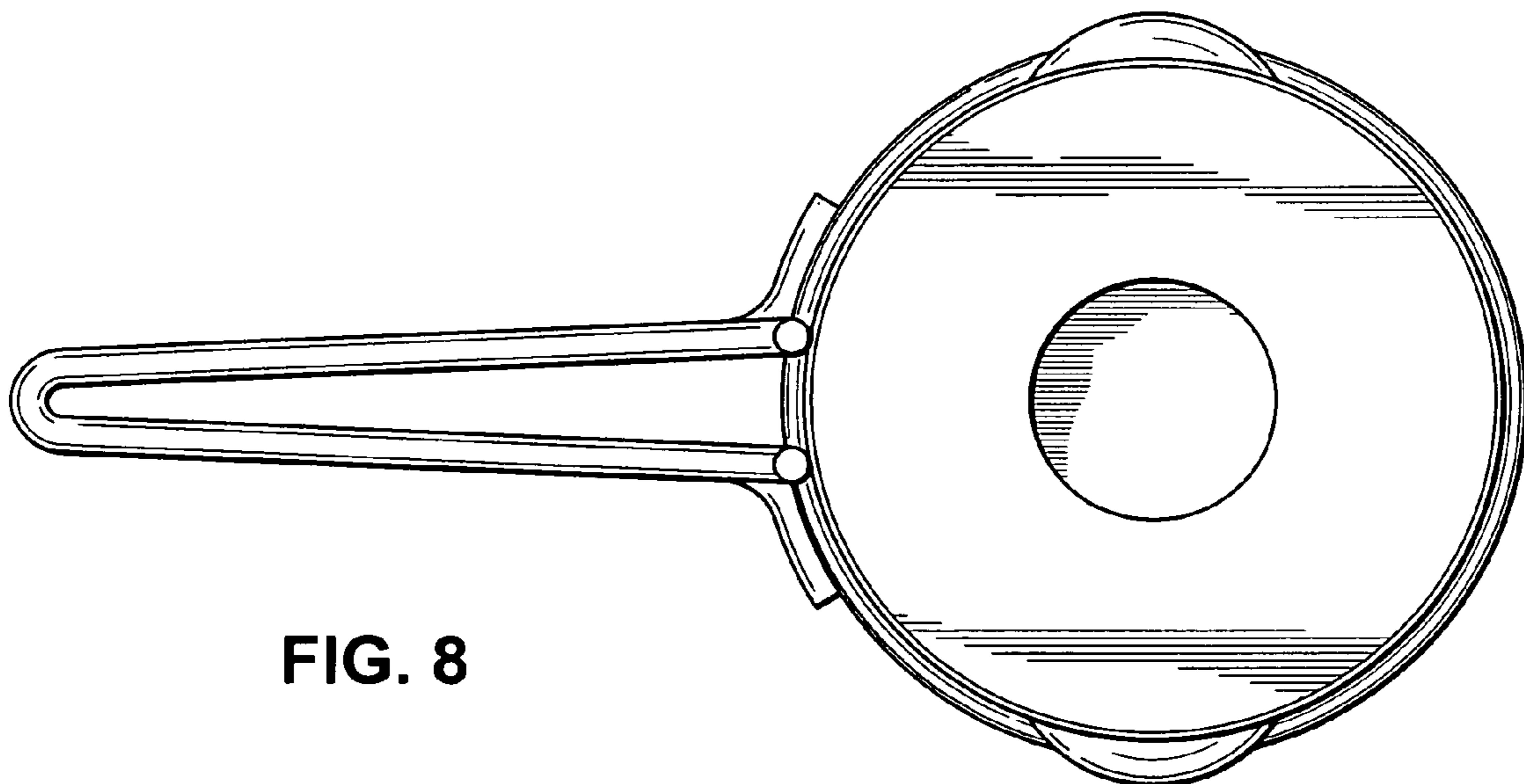


FIG. 8

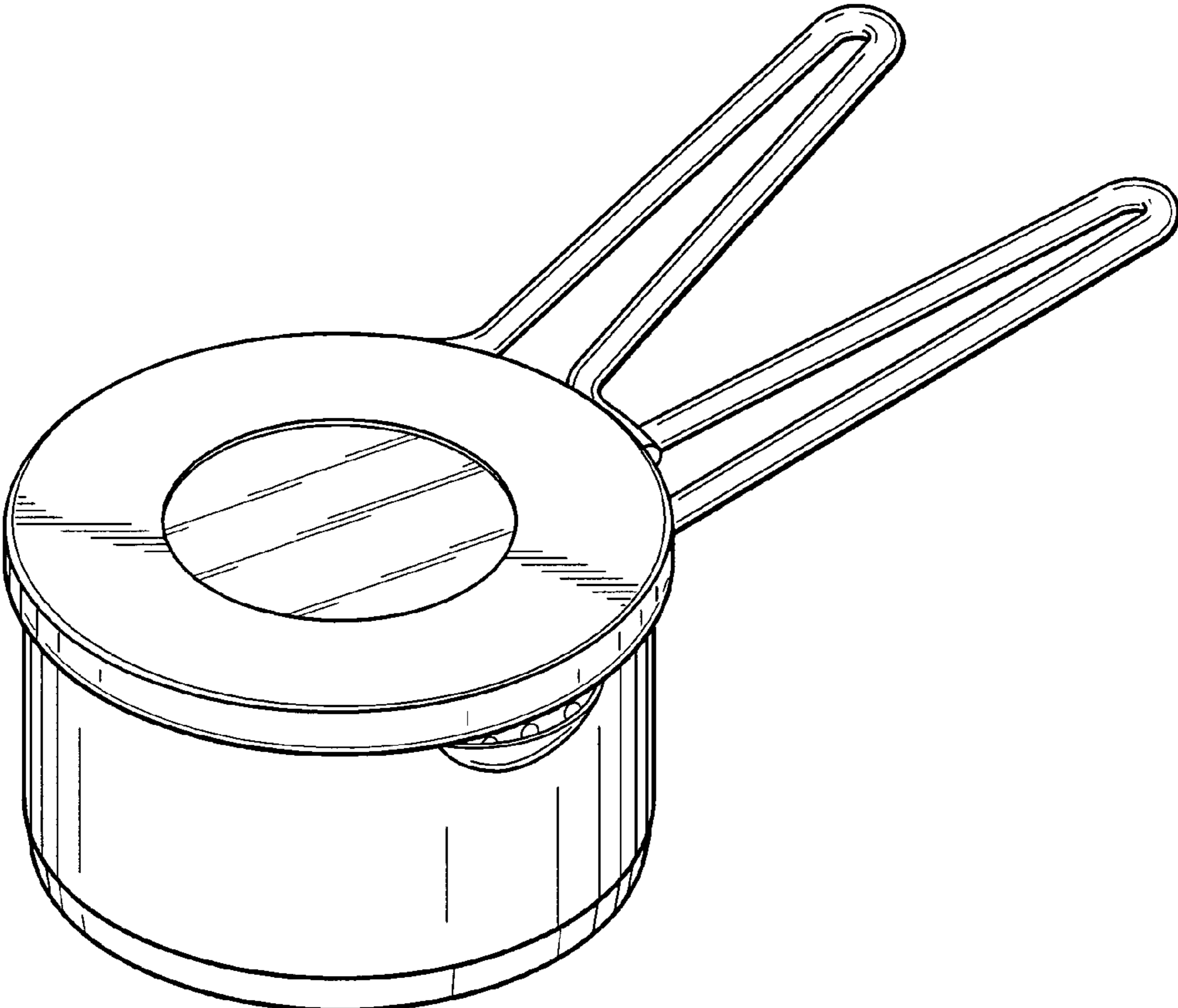


FIG. 9

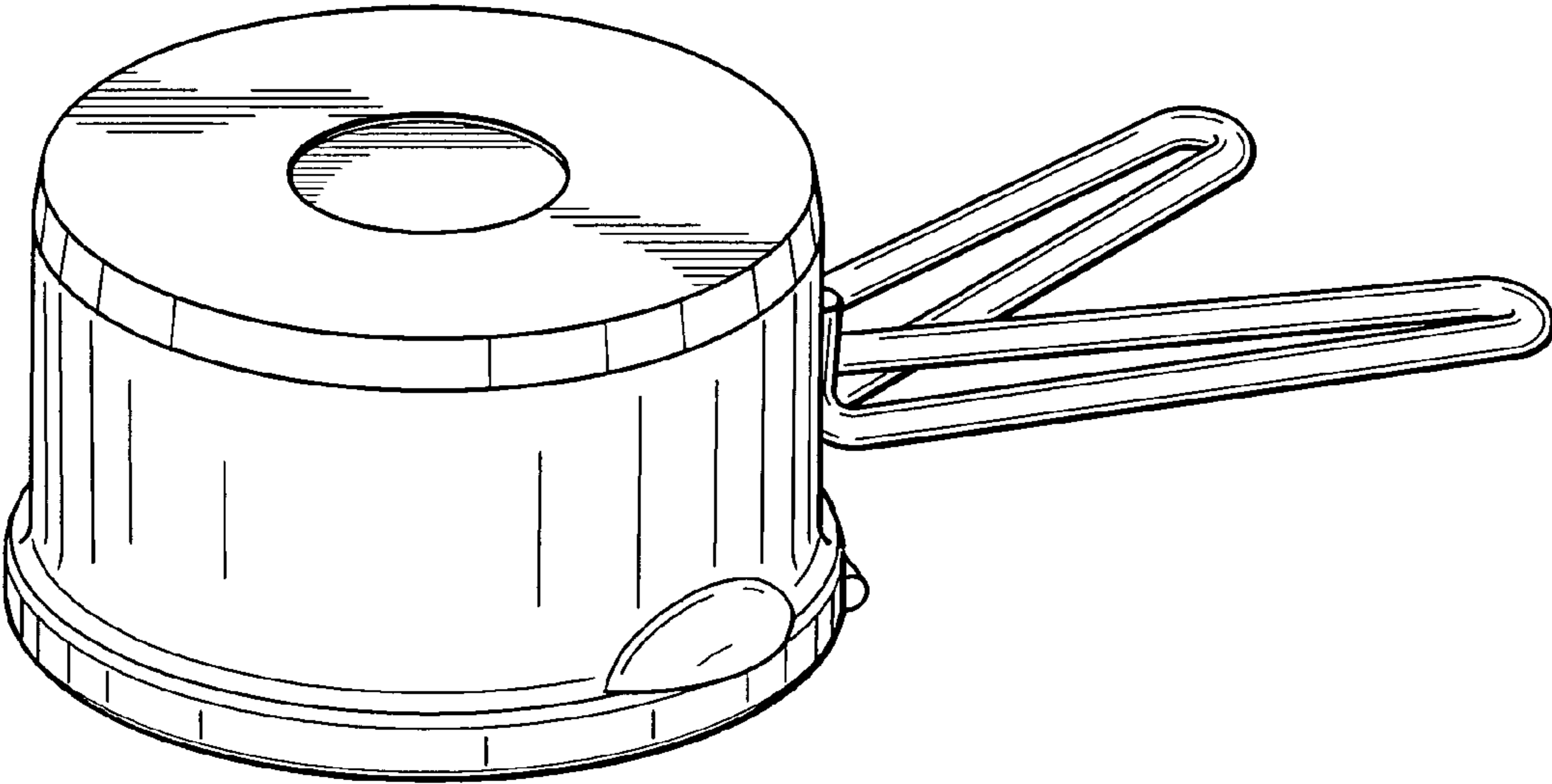
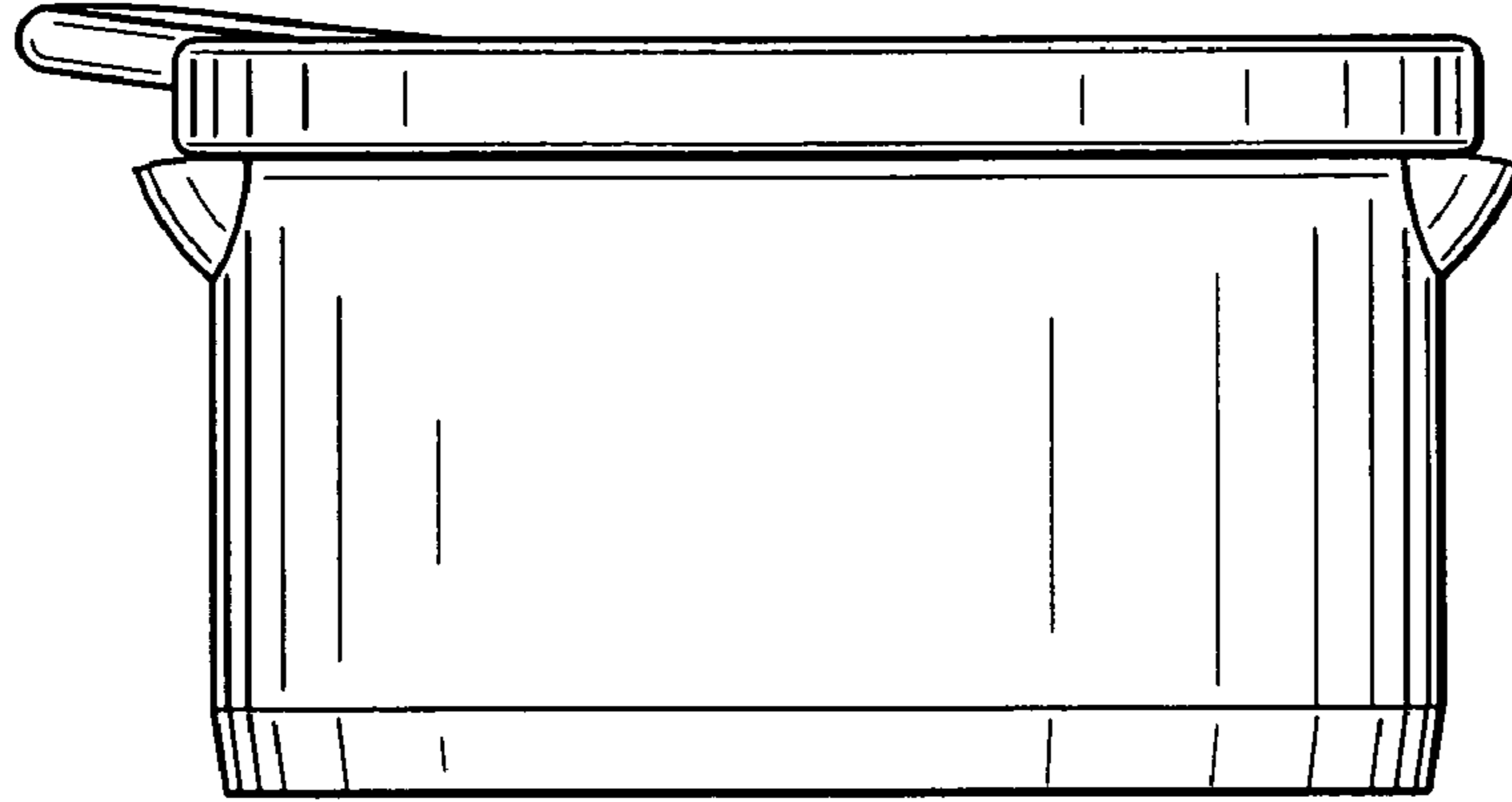
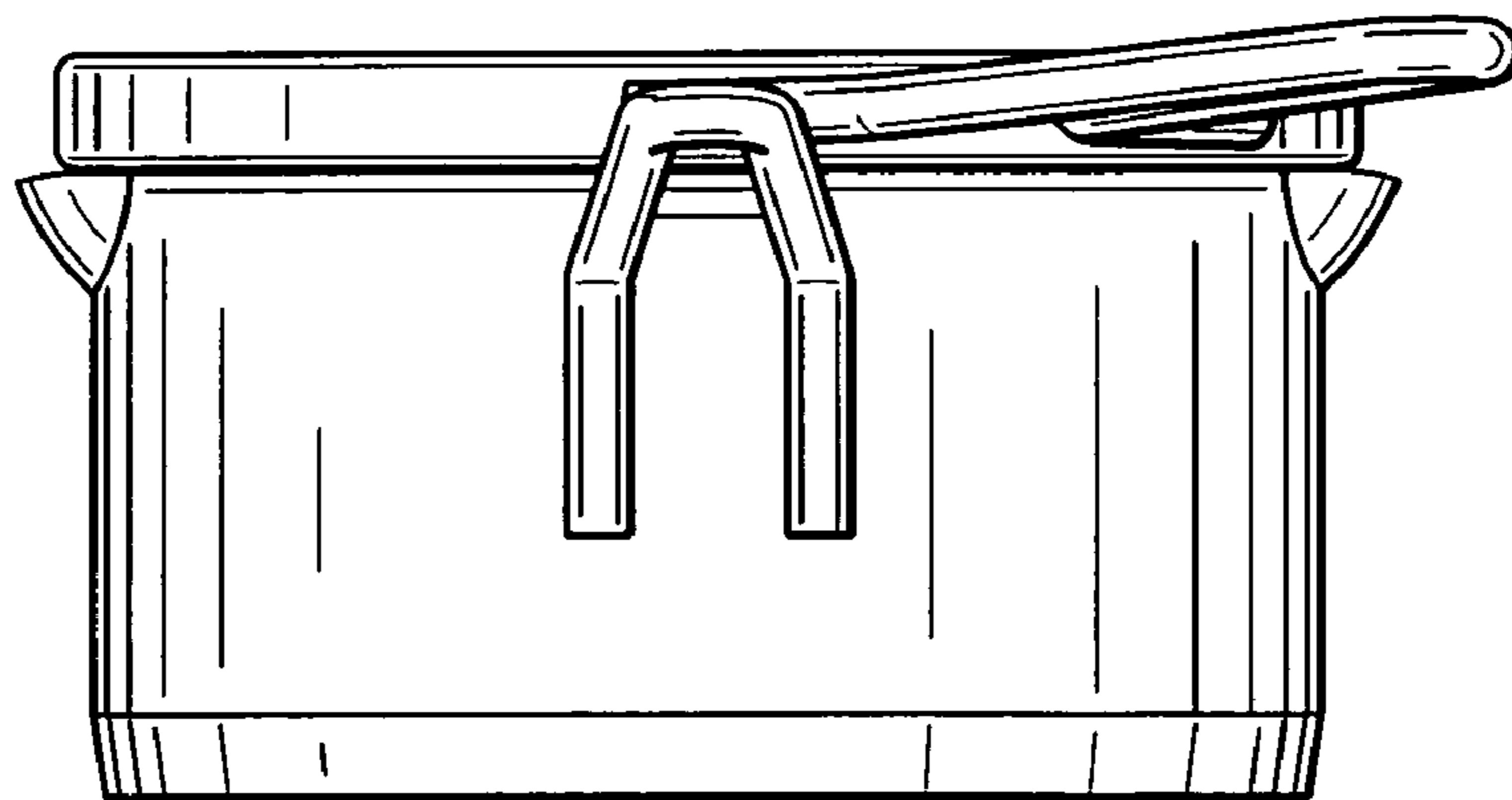


FIG. 10



**FIG. 11**



**FIG. 12**

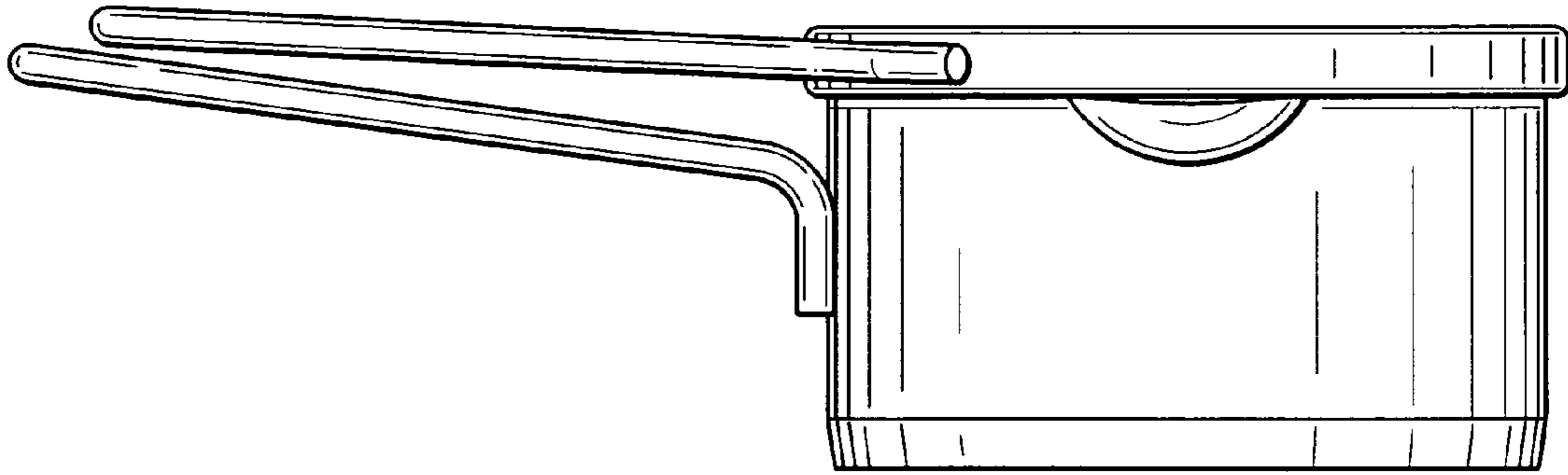


FIG. 13

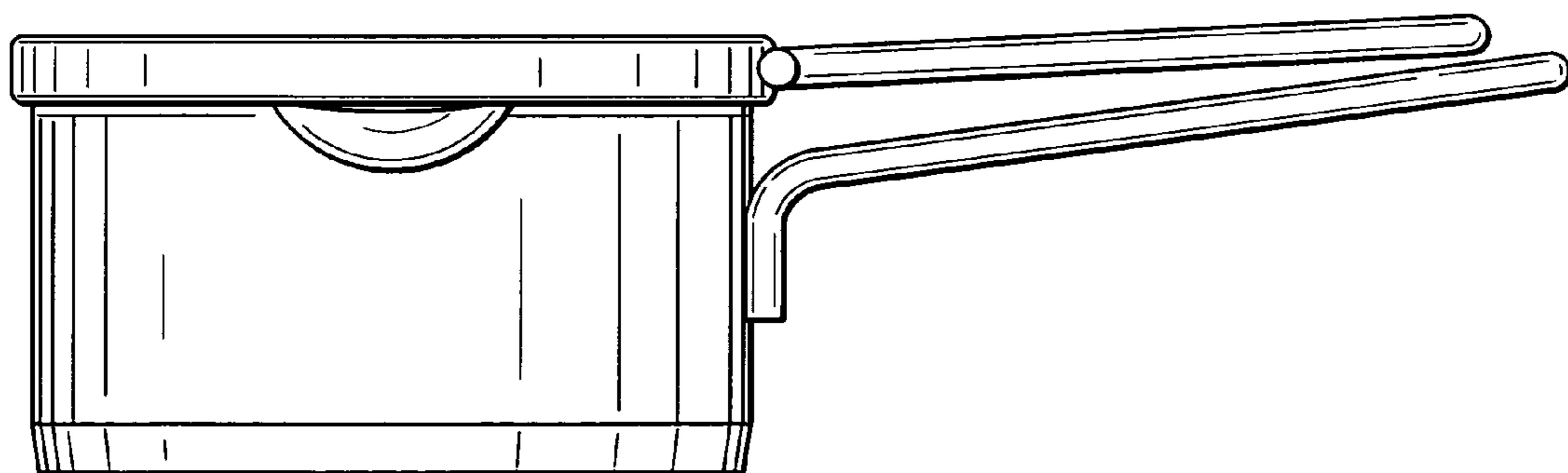


FIG. 14



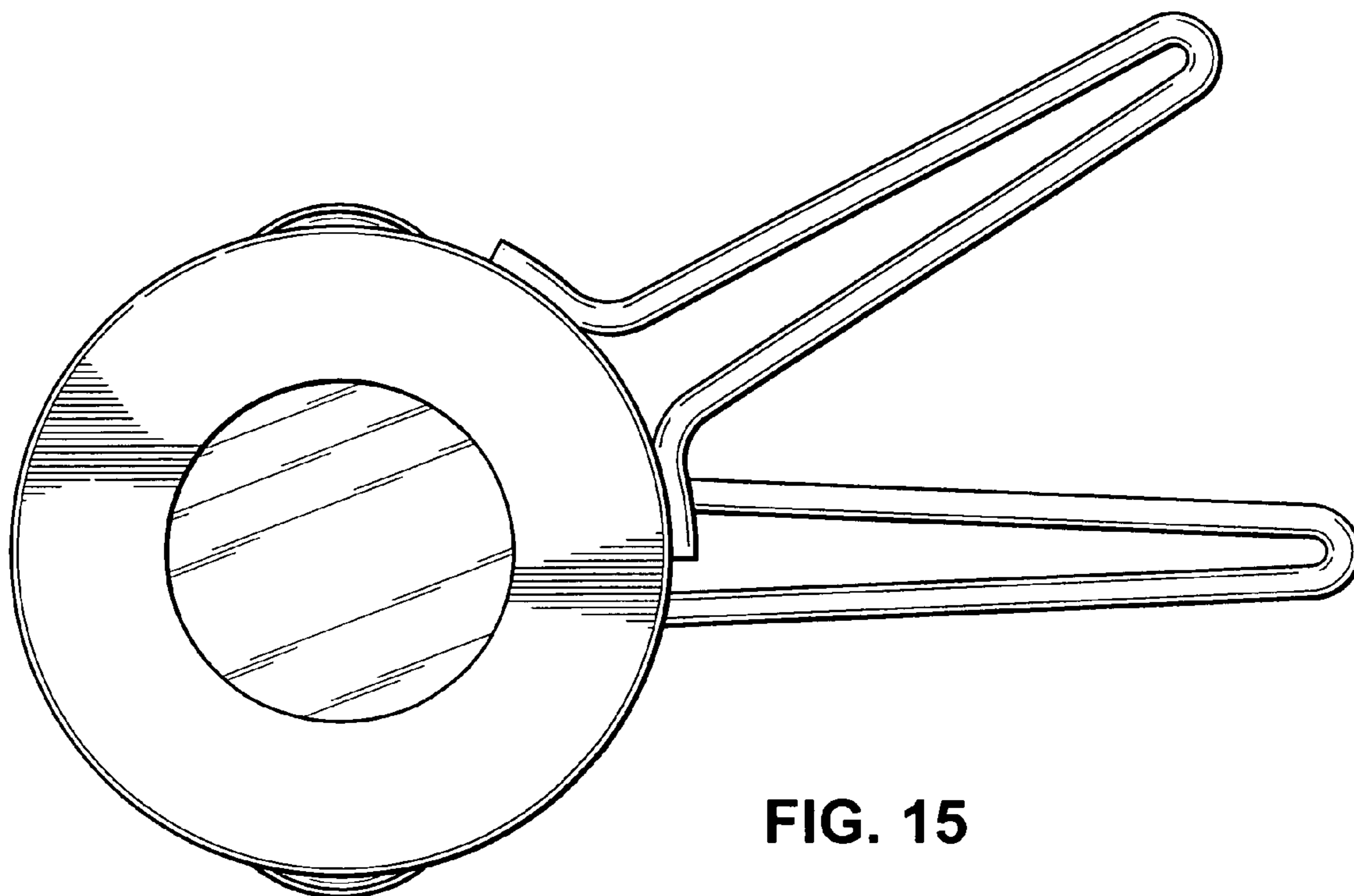


FIG. 15

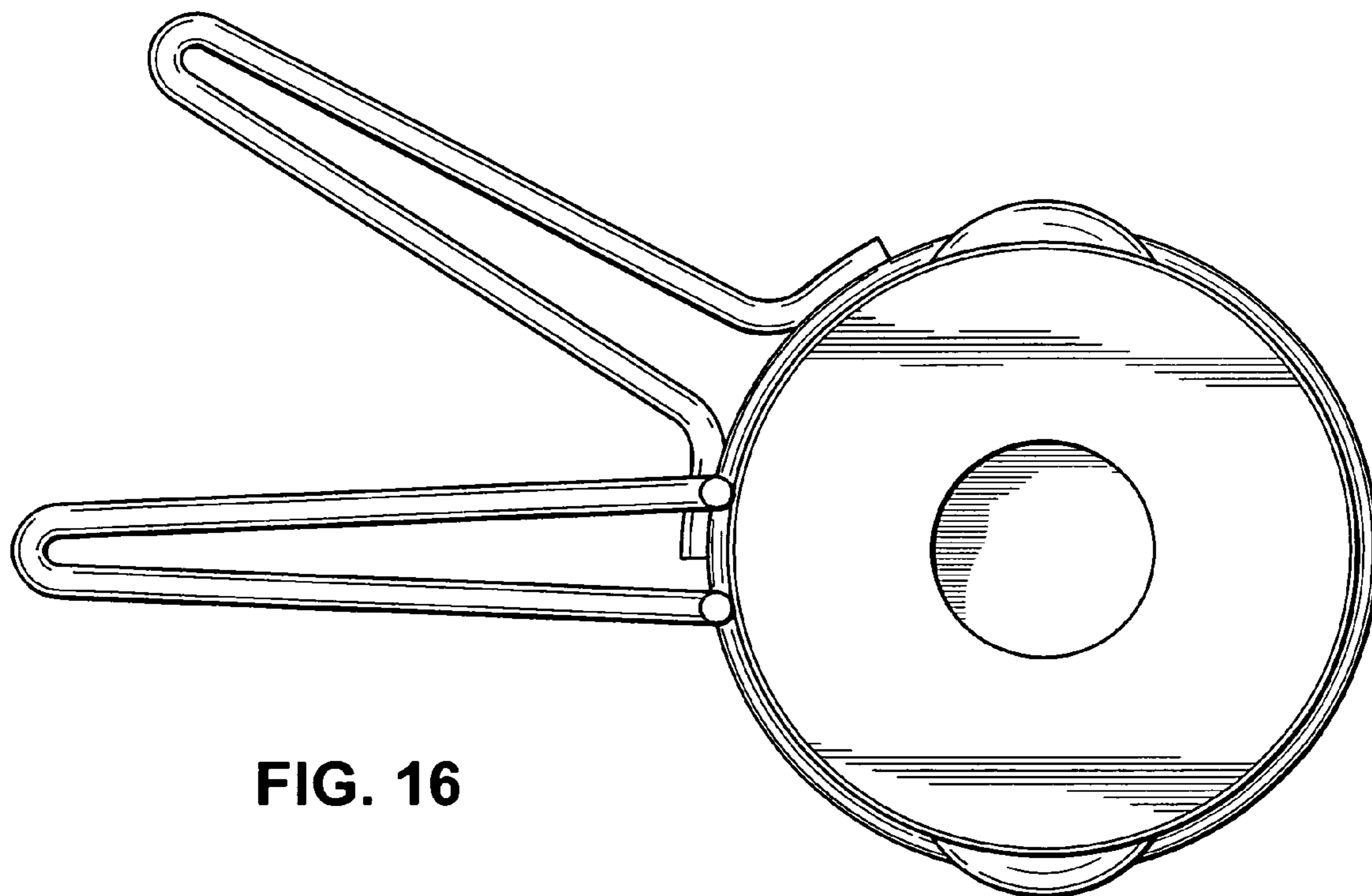


FIG. 16