



US00D603210S

(12) **United States Design Patent**
Davis

(10) **Patent No.:** **US D603,210 S**
(45) **Date of Patent:** **** Nov. 3, 2009**

(54) **APPLIANCE**

(75) Inventor: **Philip Bradley Davis**, 1437 W. 58th St.,
Cleveland, OH (US) 44102

(73) Assignee: **Philip Bradley Davis**, Cleveland, OH
(US)

(**) Term: **14 Years**

(21) Appl. No.: **29/305,152**

(22) Filed: **Mar. 14, 2008**

(51) **LOC (9) Cl.** **07-02**

(52) **U.S. Cl.** **D7/350.1**

(58) **Field of Classification Search** D7/350.1,
D7/350.3, 350.4, 351, 402, 405; 126/19 M,
126/275 E; 219/756-758, 679, 680, 725,
219/727, 734, 435; 99/DIG. 14

See application file for complete search history.

(56) **References Cited**

U.S. PATENT DOCUMENTS

- D239,250 S * 3/1976 Kawata et al. D7/351
- D280,968 S * 10/1985 Song D7/351
- D295,356 S * 4/1988 Nambu et al. D7/351
- D304,281 S * 10/1989 Naito et al. D7/351

- D305,596 S * 1/1990 Nishibori D7/351
- D305,600 S * 1/1990 Iwahashi D7/351
- D305,856 S * 2/1990 Iwahashi D7/351
- D313,919 S * 1/1991 Naito et al. D7/351
- D352,866 S * 11/1994 Kindley et al. D7/351
- D359,415 S * 6/1995 van Berlo D7/351

* cited by examiner

Primary Examiner—Ruth McInroy

(74) *Attorney, Agent, or Firm*—Amin, Turocy & Calvin, LLP

(57) **CLAIM**

The ornamental design for an appliance such as a heating or cooling unit, as shown and described.

DESCRIPTION

FIG. 1 is a perspective view of a top, front and right side perspective view of an appliance showing our new design;

FIG. 2 is a front view thereof;

FIG. 3 is a rear view thereof;

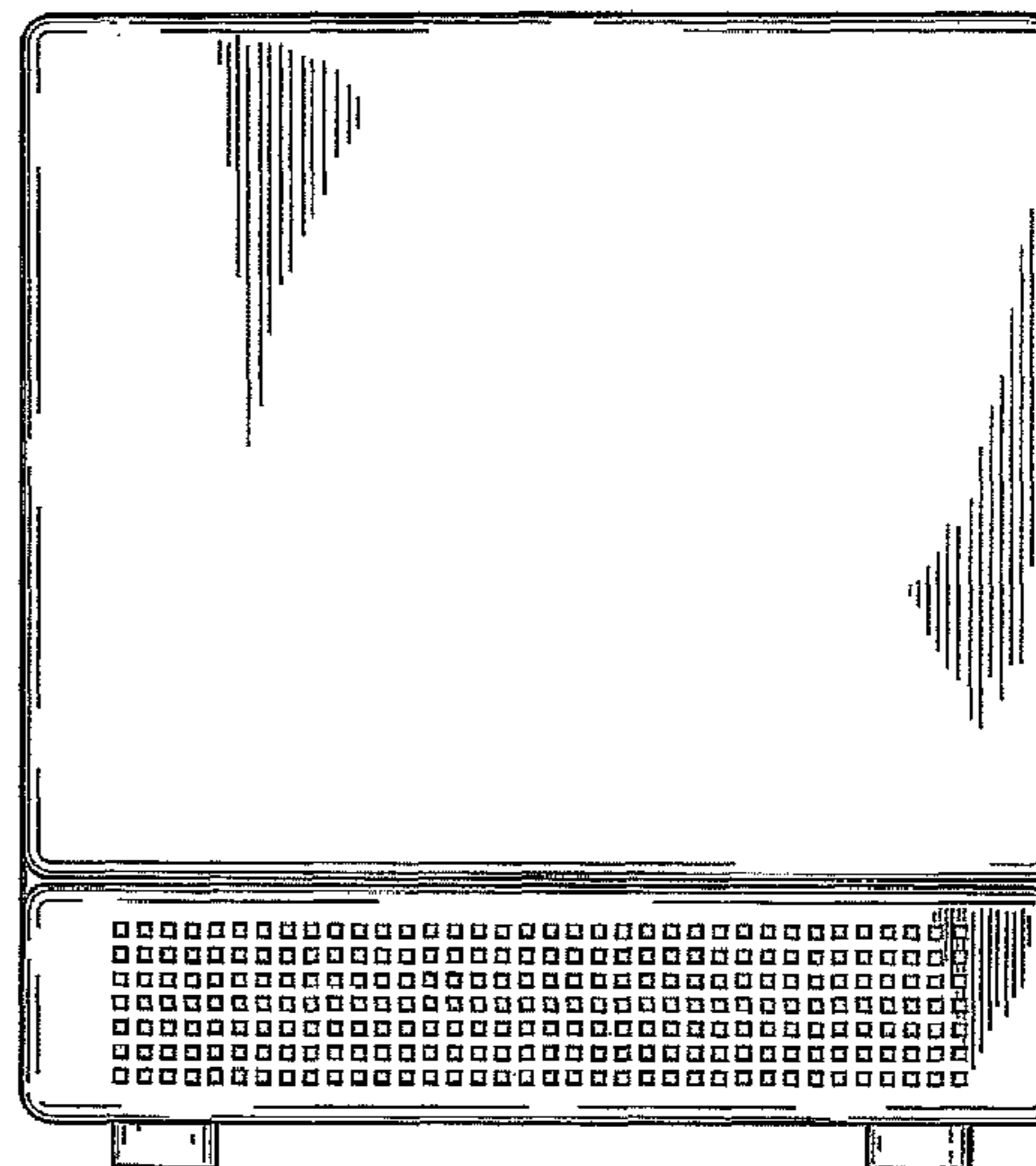
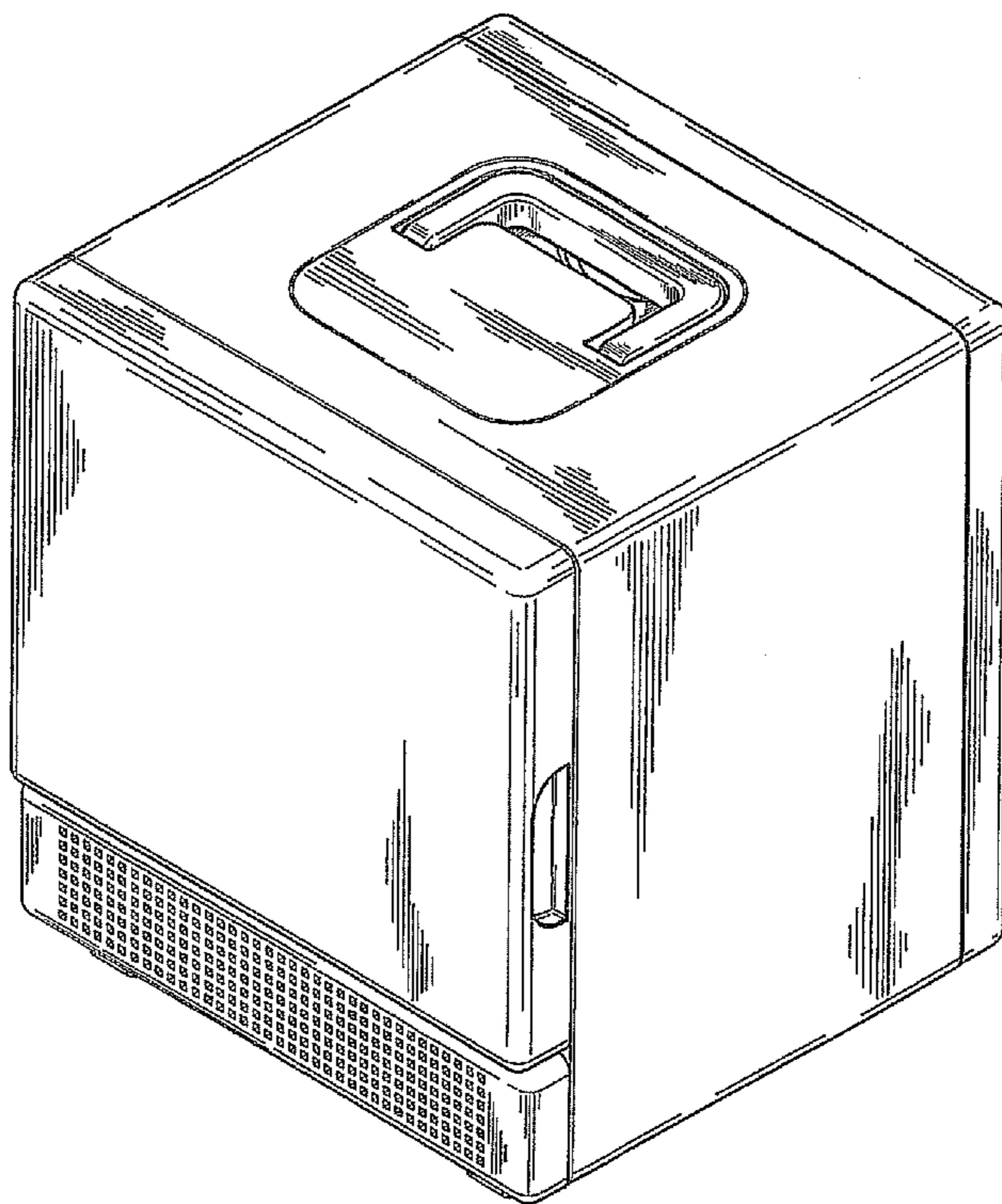
FIG. 4 is a right side view thereof;

FIG. 5 is a left side view thereof;

FIG. 6 is a top view thereof; and,

FIG. 7 is a bottom view thereof.

1 Claim, 4 Drawing Sheets



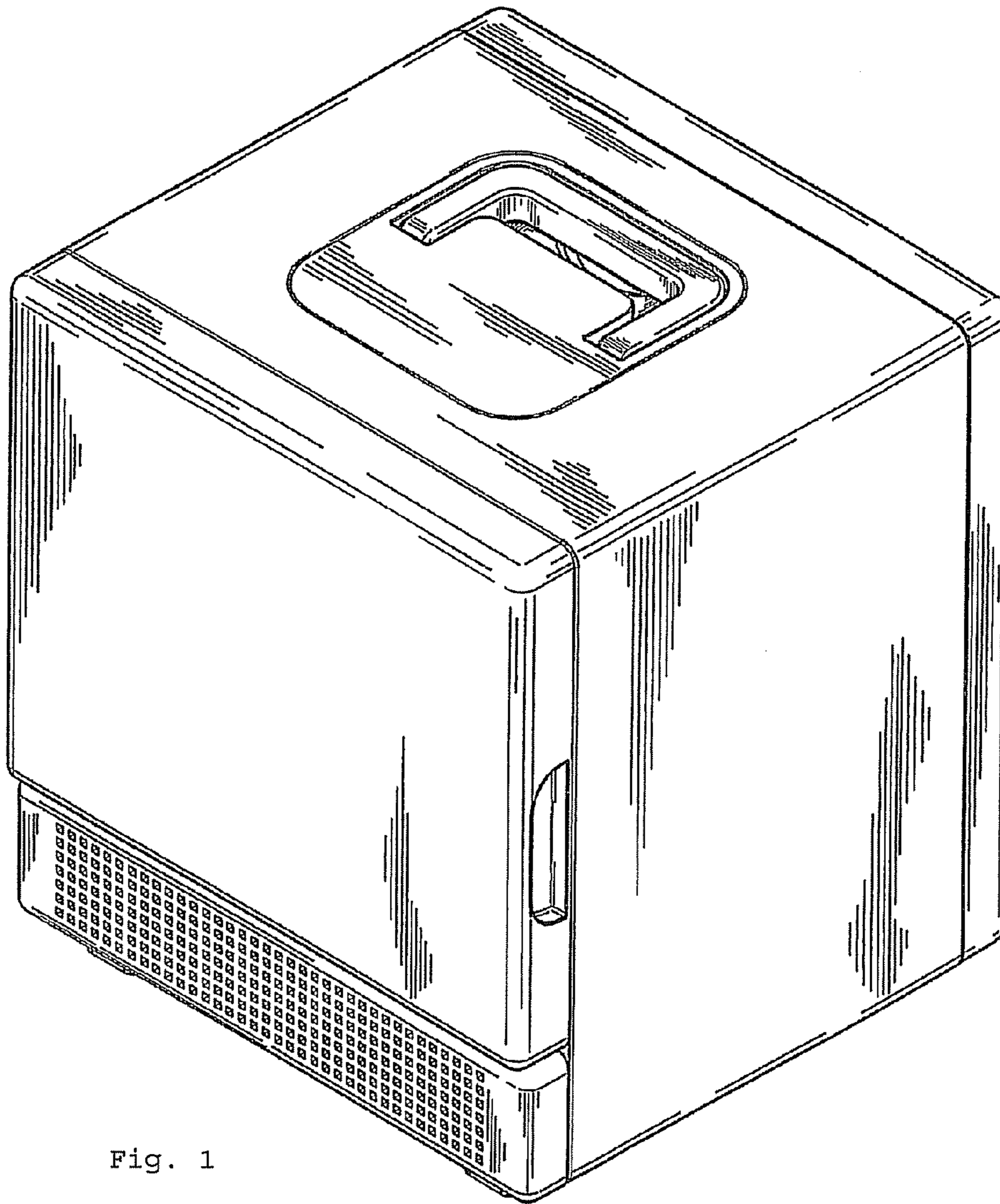


Fig. 1

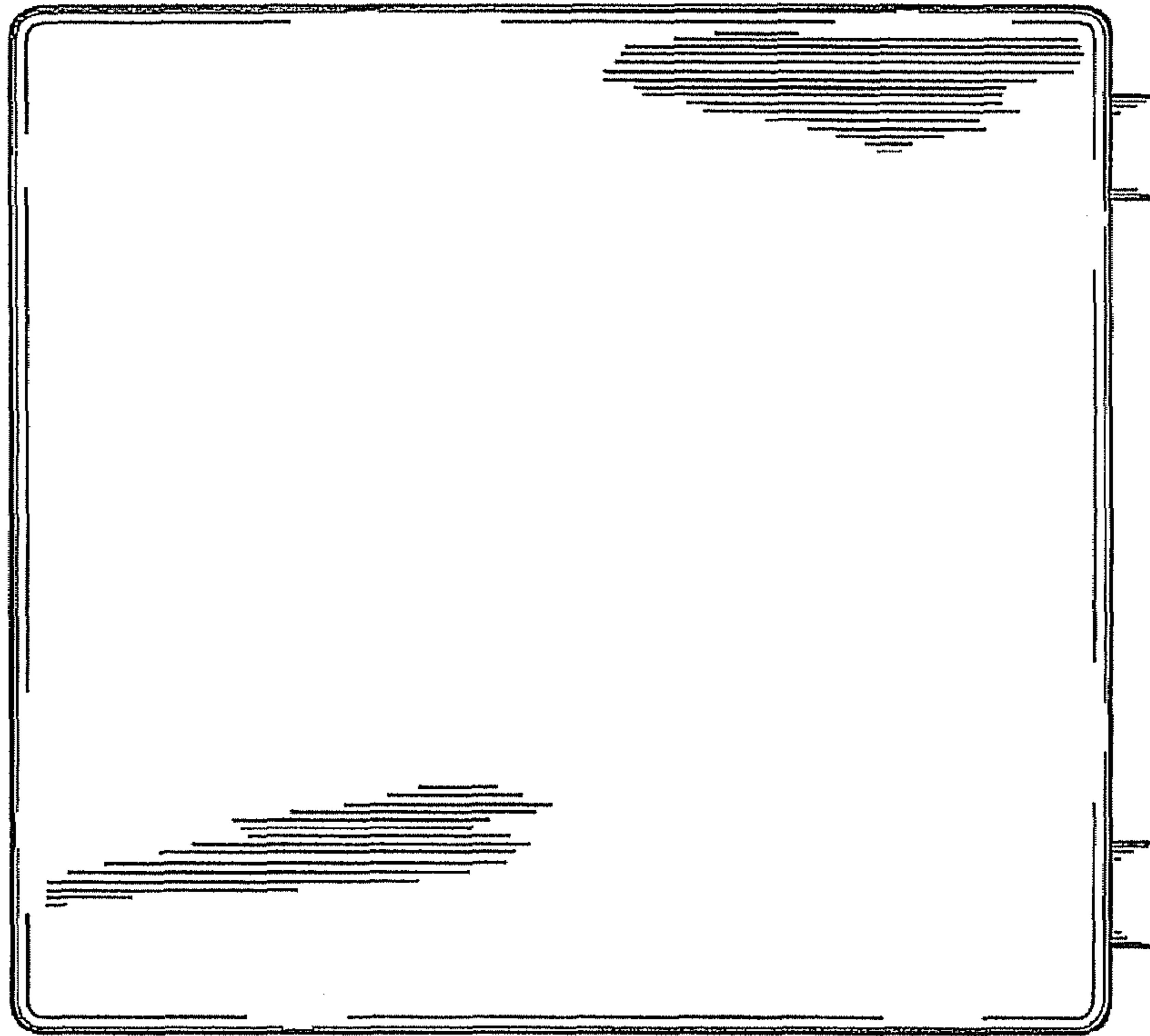


Fig. 3

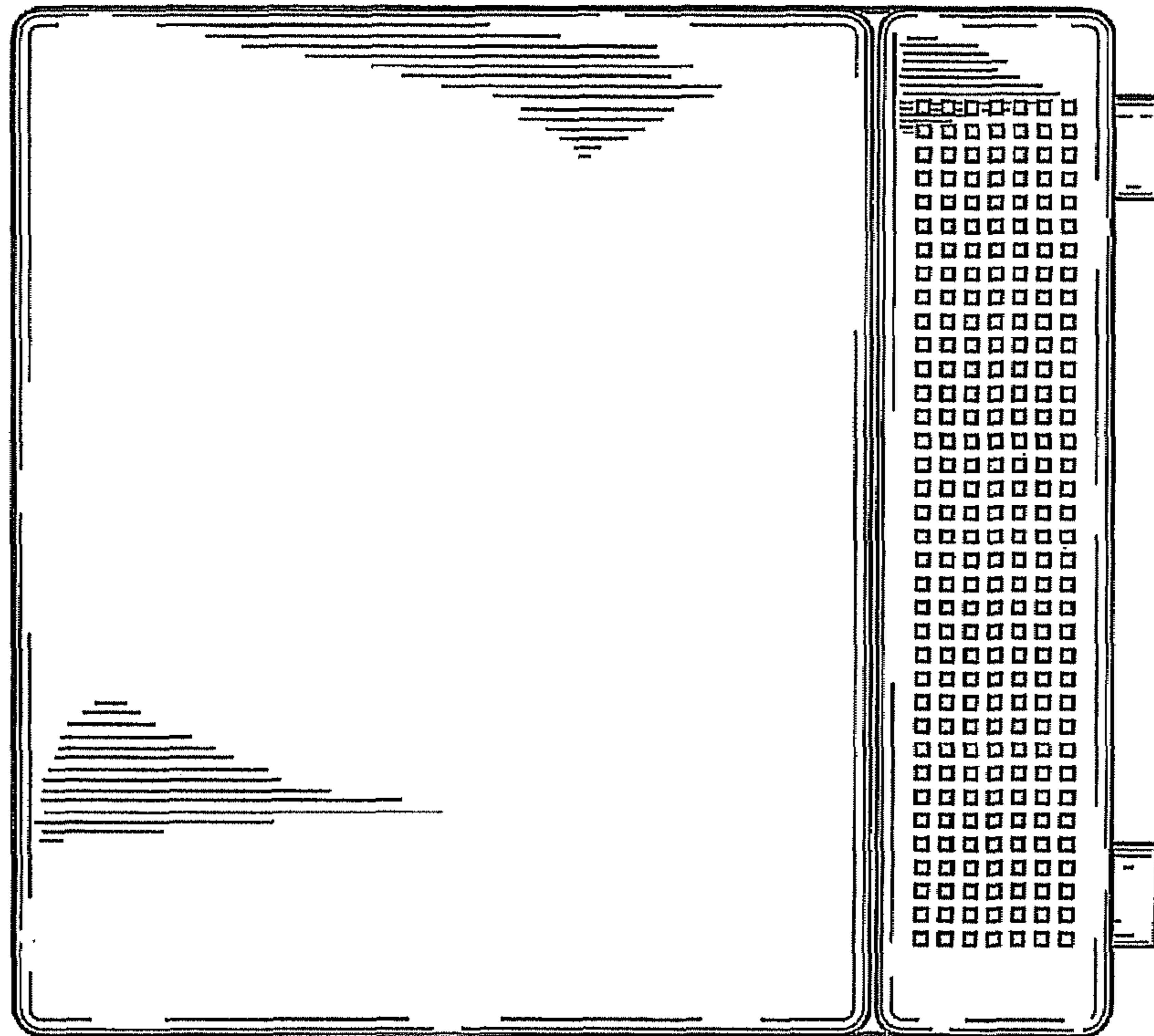


Fig. 2

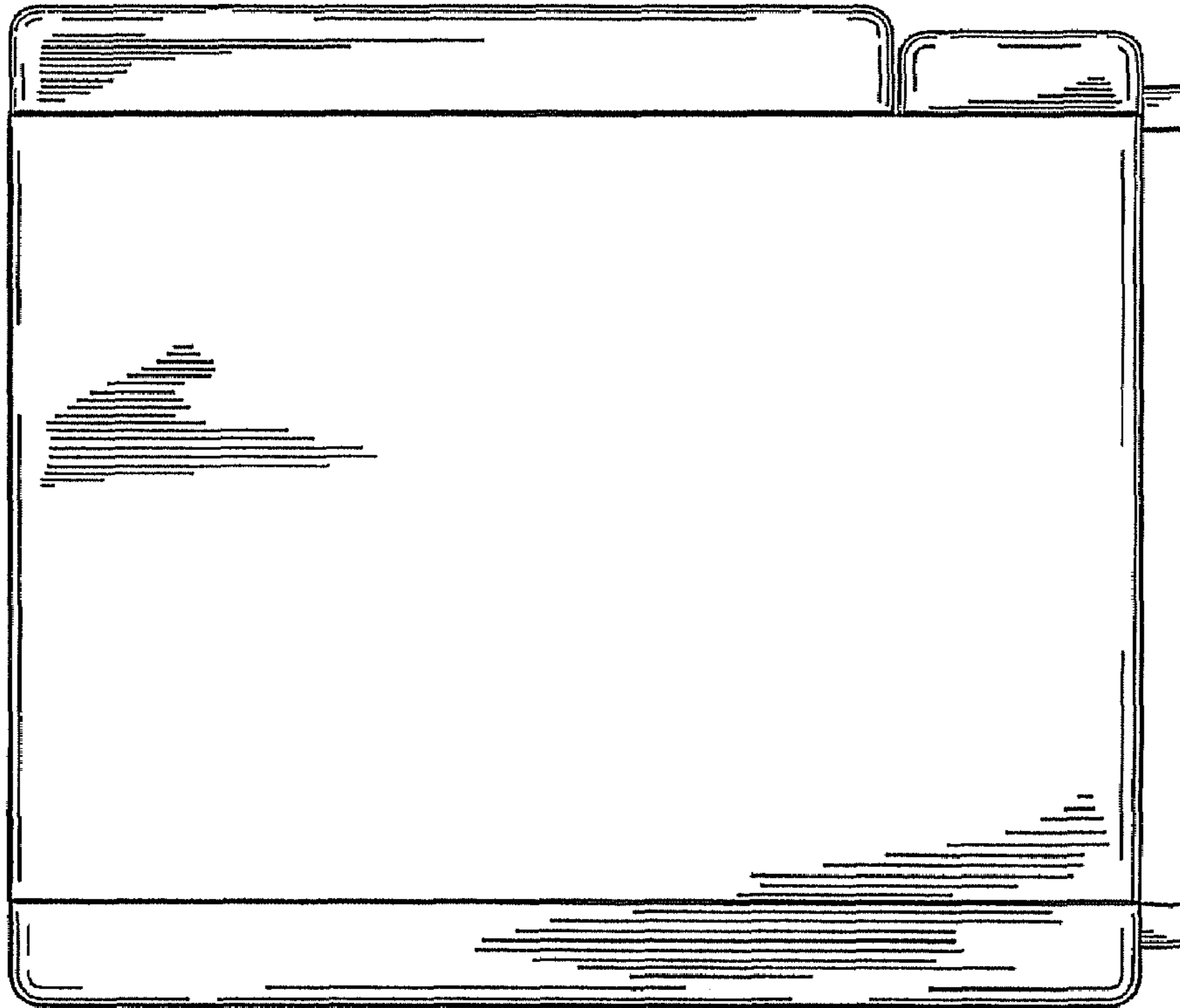


Fig. 5

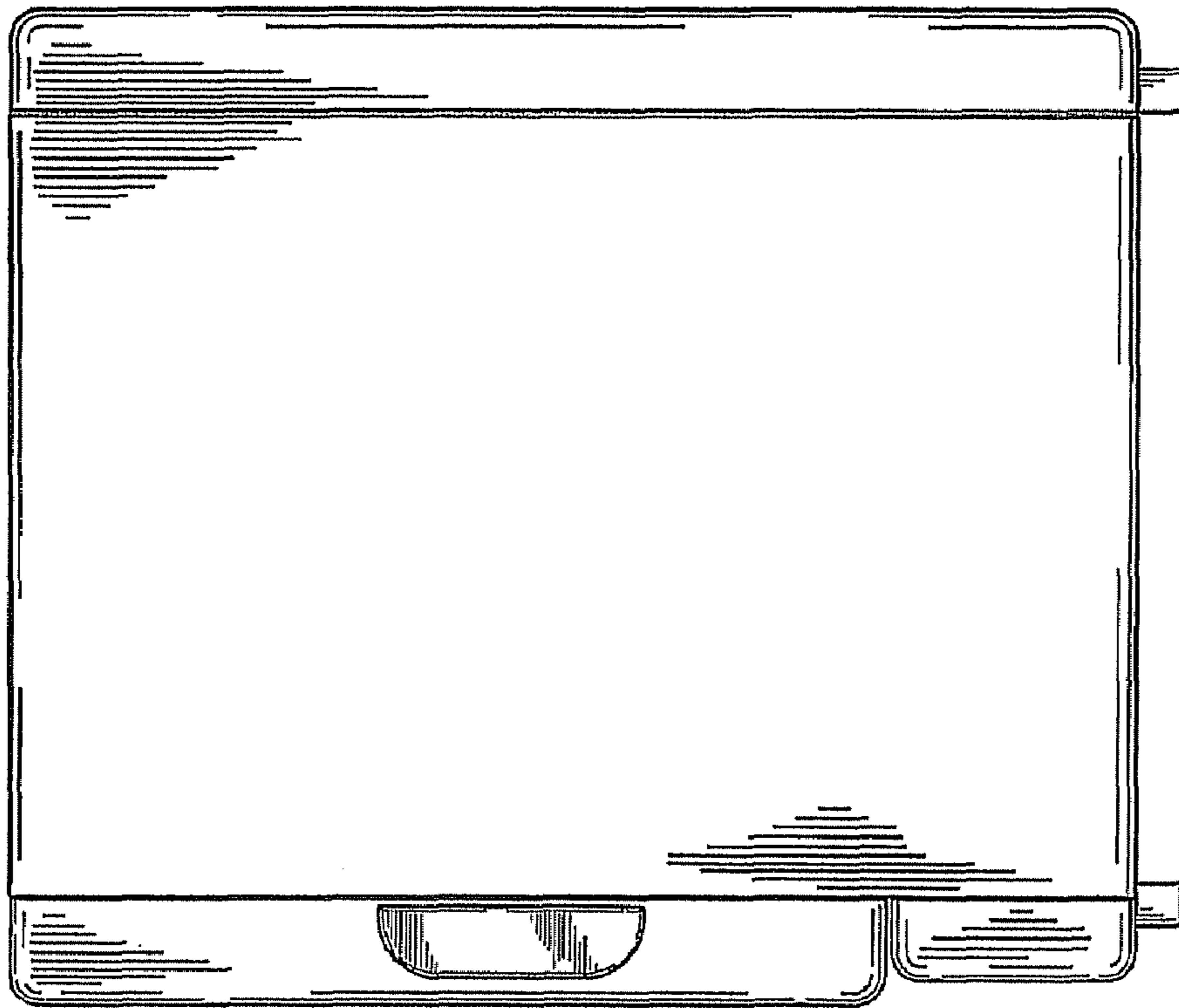


Fig. 4

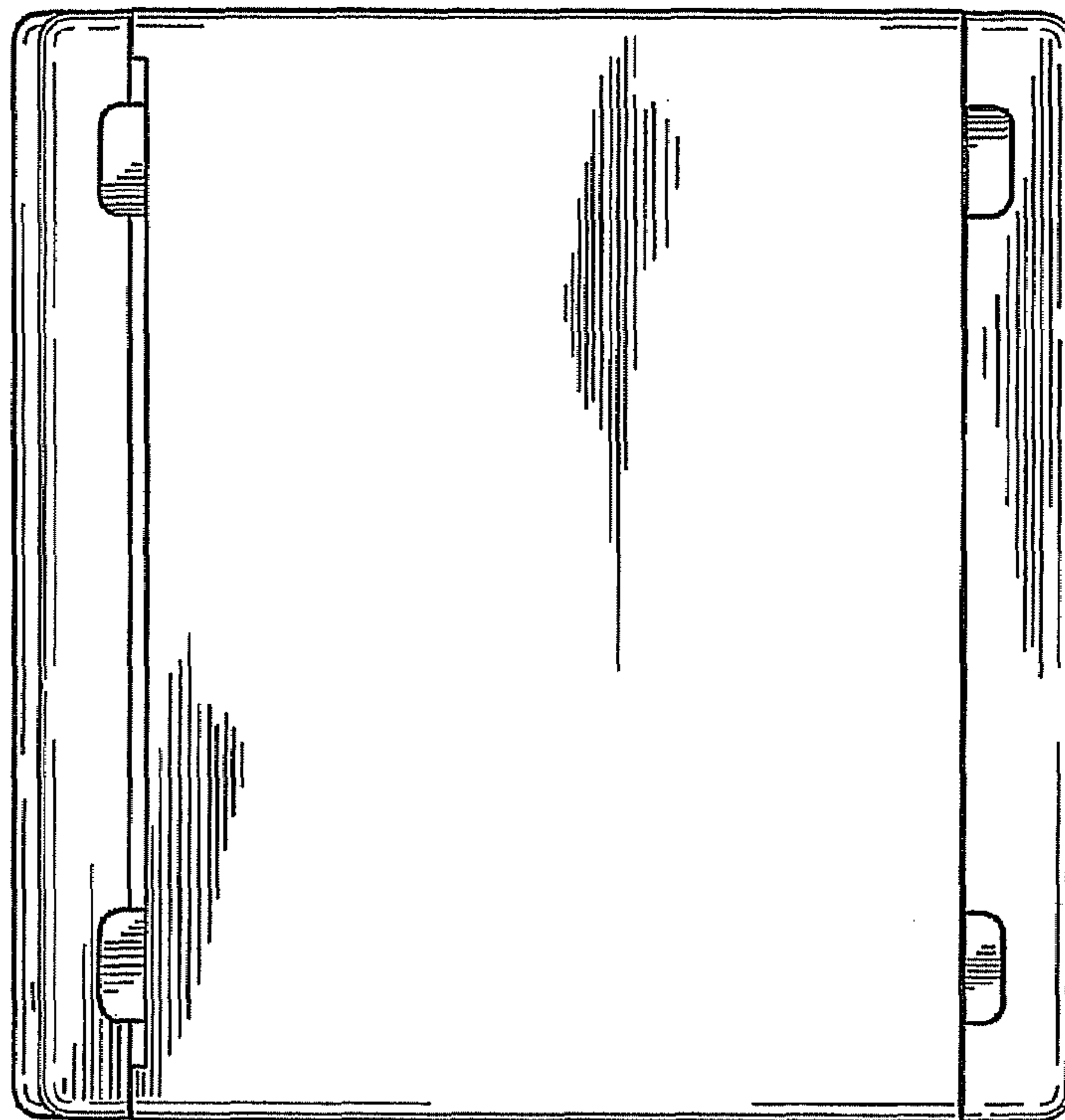


Fig. 7

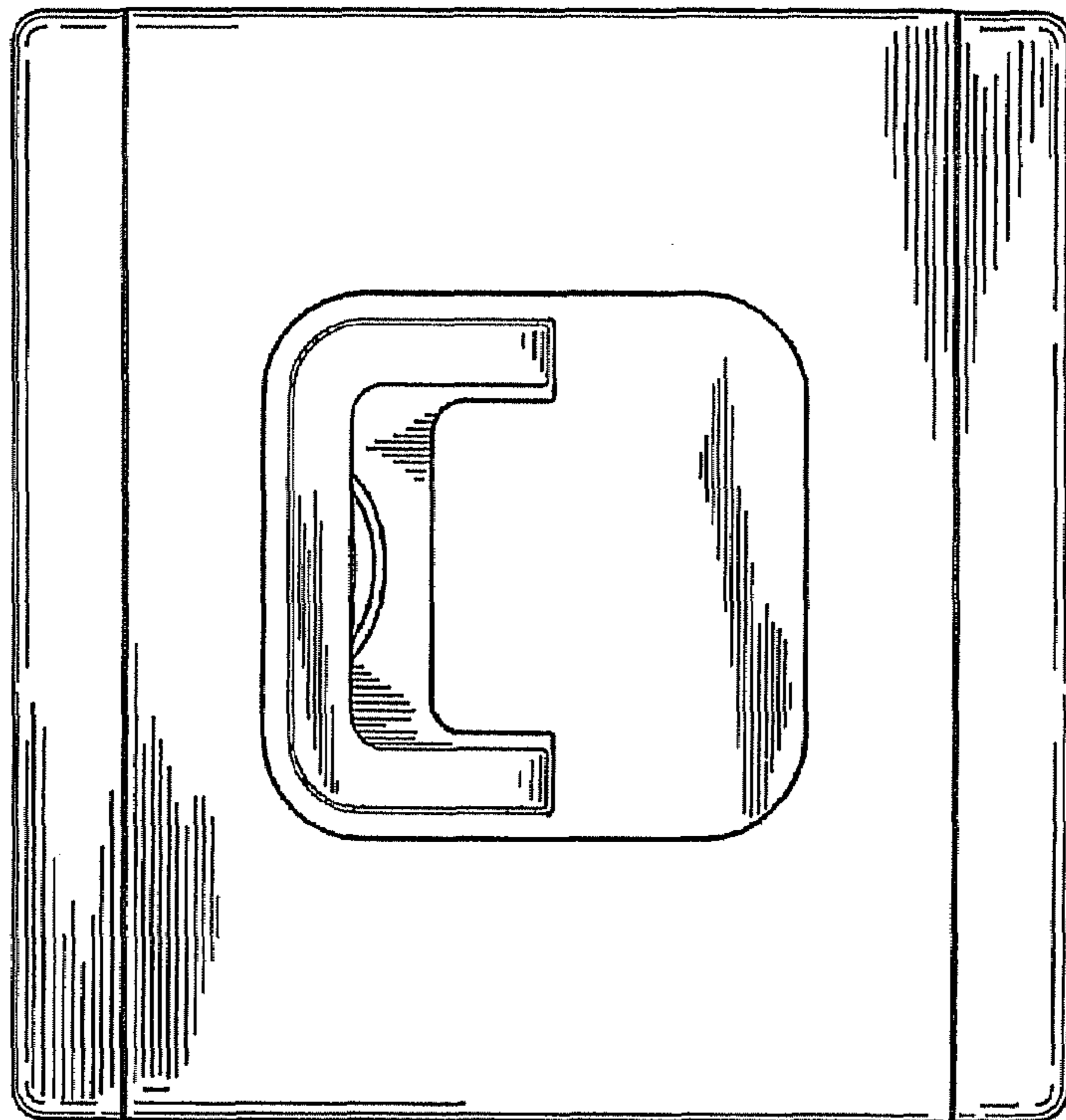


Fig. 6