

US00D603209S

(12) **United States Design Patent**
Bodum

(10) **Patent No.:** **US D603,209 S**
(45) **Date of Patent:** **** Nov. 3, 2009**

(54) **ELECTRIC BEVERAGE HEATER**

(75) Inventor: **Jørgen Bodum**, Meggen (CH)

(73) Assignee: **Pi-Design AG**, Triengen (CH)

(**) Term: **14 Years**

(21) Appl. No.: **29/322,010**

(22) Filed: **Jul. 28, 2008**

(30) **Foreign Application Priority Data**

Jan. 29, 2008 (WO) DM/069 770

(51) **LOC (9) Cl.** **07-01**

(52) **U.S. Cl.** **D7/319; D7/317**

(58) **Field of Classification Search** D7/316-319,
D7/321, 312, 313, 300, 598, 600; 426/31;
99/287, 275, 285, 306, 297; 222/465.1, 495
See application file for complete search history.

(56) **References Cited**

U.S. PATENT DOCUMENTS

5,570,623 A * 11/1996 Lin 99/285
D378,261 S * 3/1997 Jørgensen D7/319
D386,040 S * 11/1997 Joergensen D7/317
6,079,316 A * 6/2000 Barden et al. 99/297
D441,248 S * 5/2001 Brady D7/319
D449,957 S * 11/2001 Yeh D7/319
D457,377 S * 5/2002 Jørgensen D7/319
6,422,133 B1 * 7/2002 Brady 99/297
D464,522 S * 10/2002 O'Connor et al. D7/319
6,797,304 B2 * 9/2004 McGonagle 426/431
D498,384 S * 11/2004 McWilliam D7/319

D498,638 S * 11/2004 Morrison D7/319
D500,626 S * 1/2005 Ranzoni D7/317
D545,111 S * 6/2007 Brown D7/317
D557,978 S * 12/2007 Bodum D7/399
D568,667 S * 5/2008 Appleton D7/319
D573,396 S * 7/2008 Gauss D7/319
D584,559 S * 1/2009 Bodum D7/319
D584,570 S * 1/2009 Bodum D7/608
D588,857 S * 3/2009 Bodum D7/319

OTHER PUBLICATIONS

Bodum "Chombard" Espresso maker 10616/10617, Bodum catalogue 2007/2008, p. 23 and on back cover.

* cited by examiner

Primary Examiner—Marianne Pandozzi

(74) *Attorney, Agent, or Firm*—Sughrue Mion, PLLC

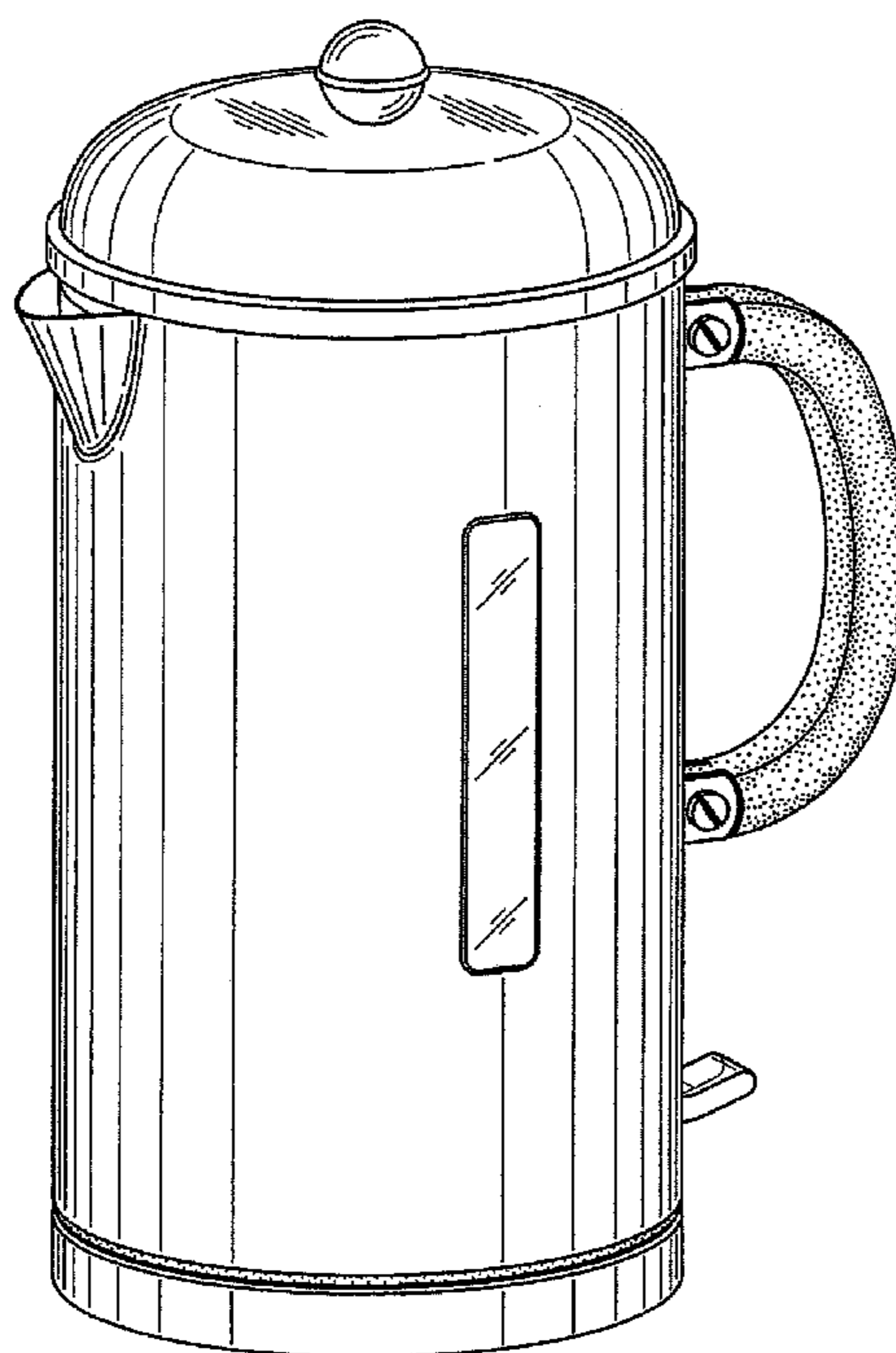
(57) **CLAIM**

The ornamental design for a electric beverage heater, as shown and described.

DESCRIPTION

FIG. 1 is a perspective view of the design;
FIG. 2 is a first side elevational view of the design;
FIG. 3 is a second side elevational view of the design;
FIG. 4 is a front side elevational view of the design;
FIG. 5 is a rear side elevational view of the design;
FIG. 6 is a top view of the design; and,
FIG. 7 is a bottom view of the design.

1 Claim, 5 Drawing Sheets



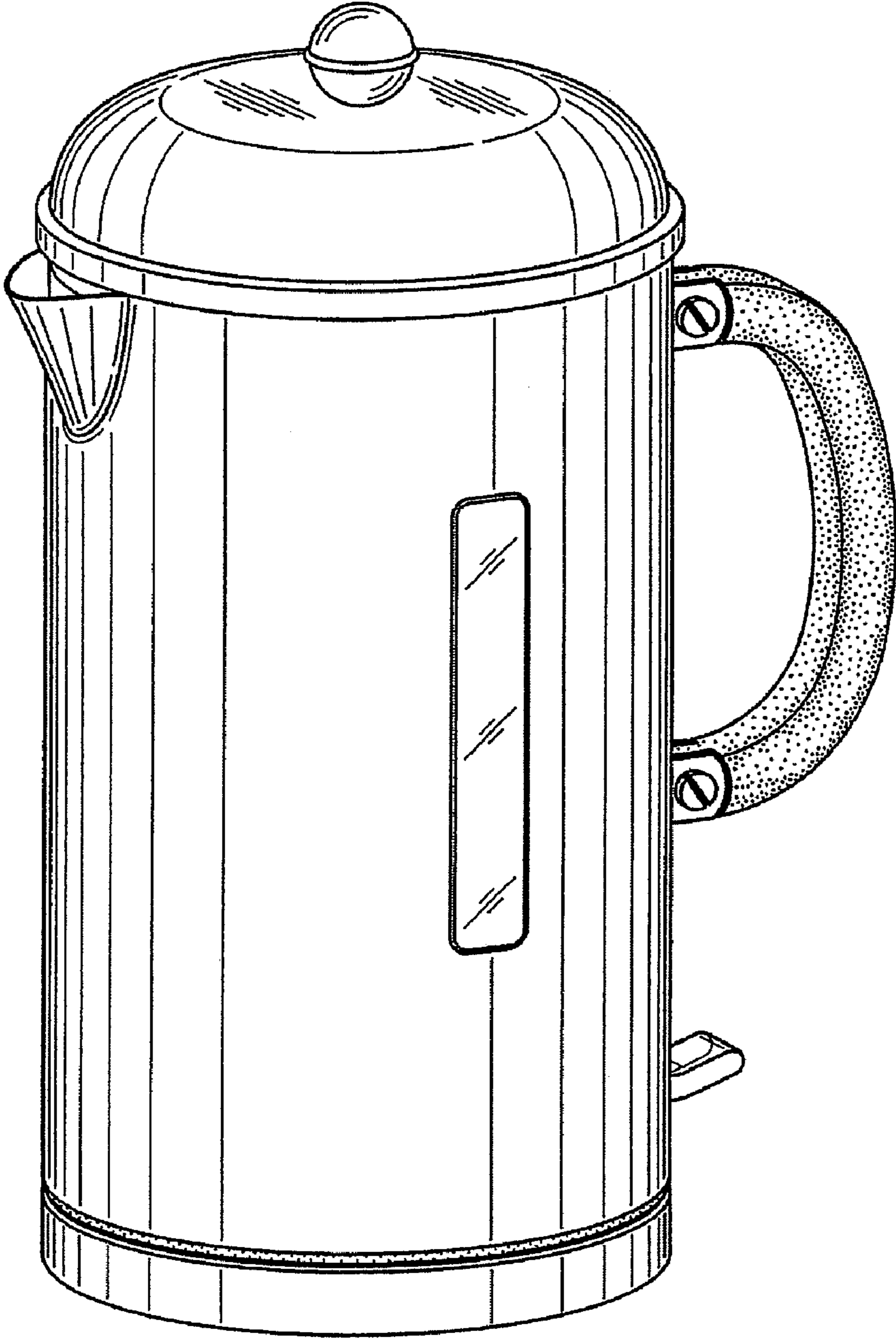


FIGURE 1

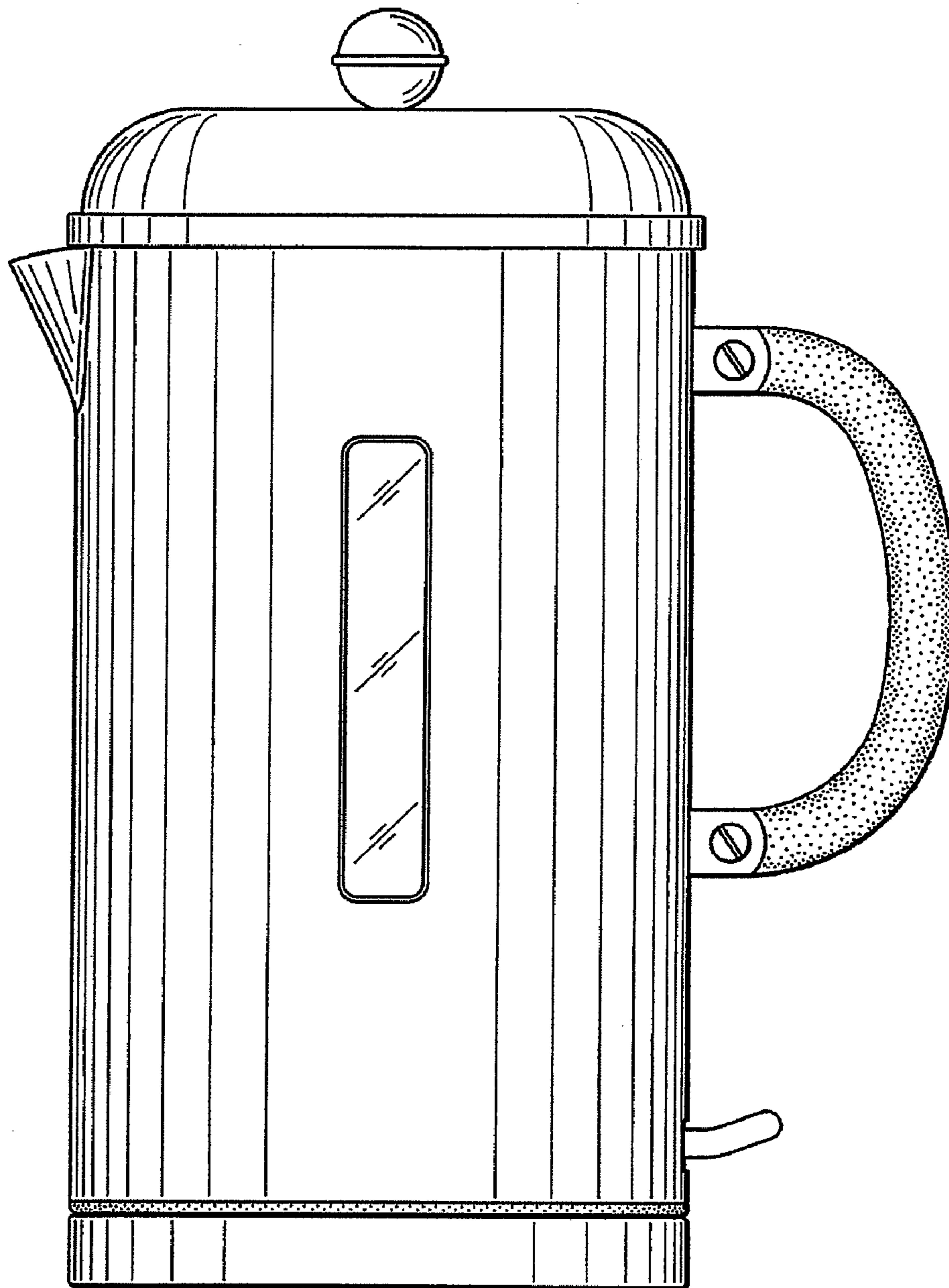


FIGURE 2

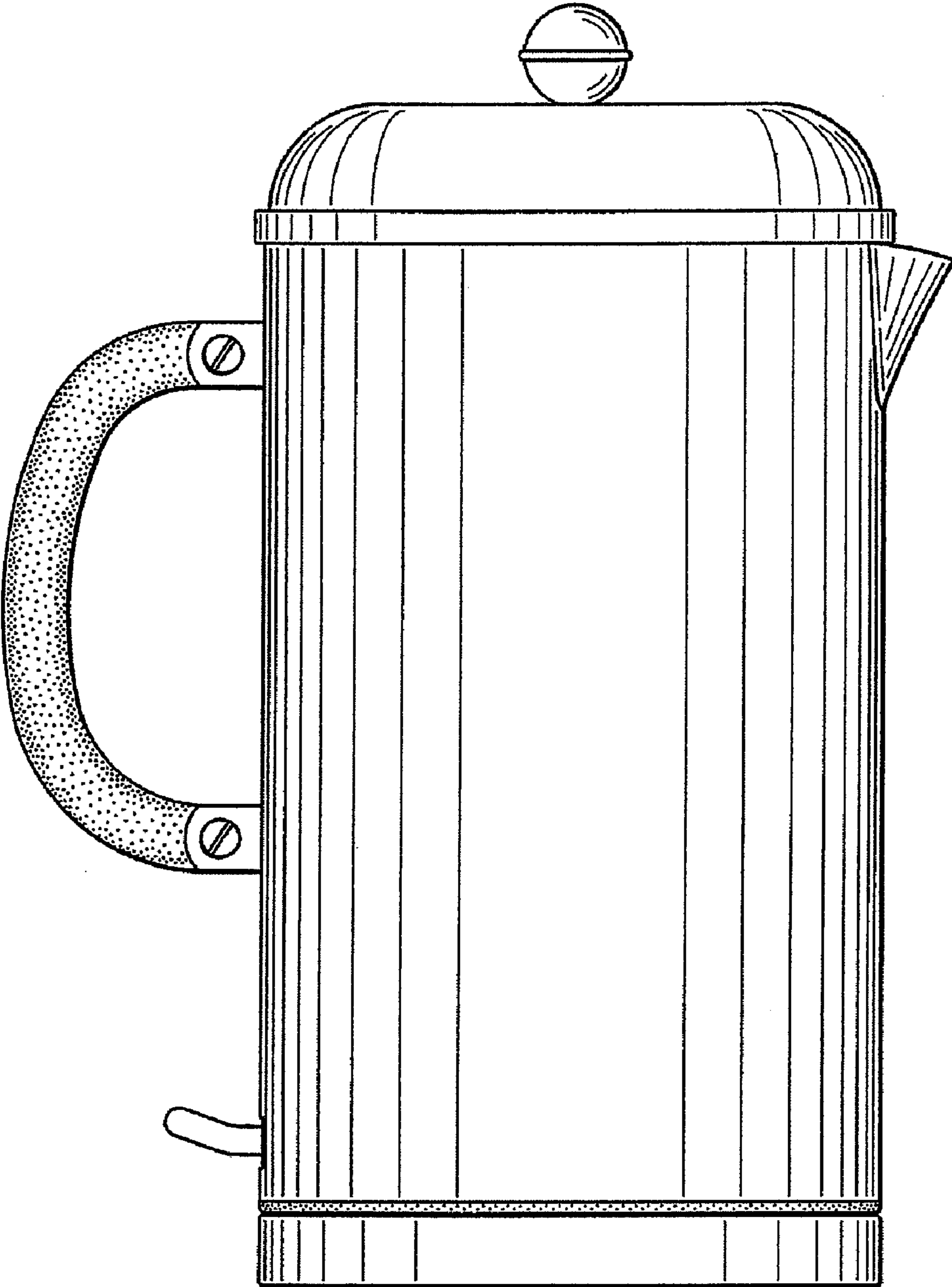


FIGURE 3

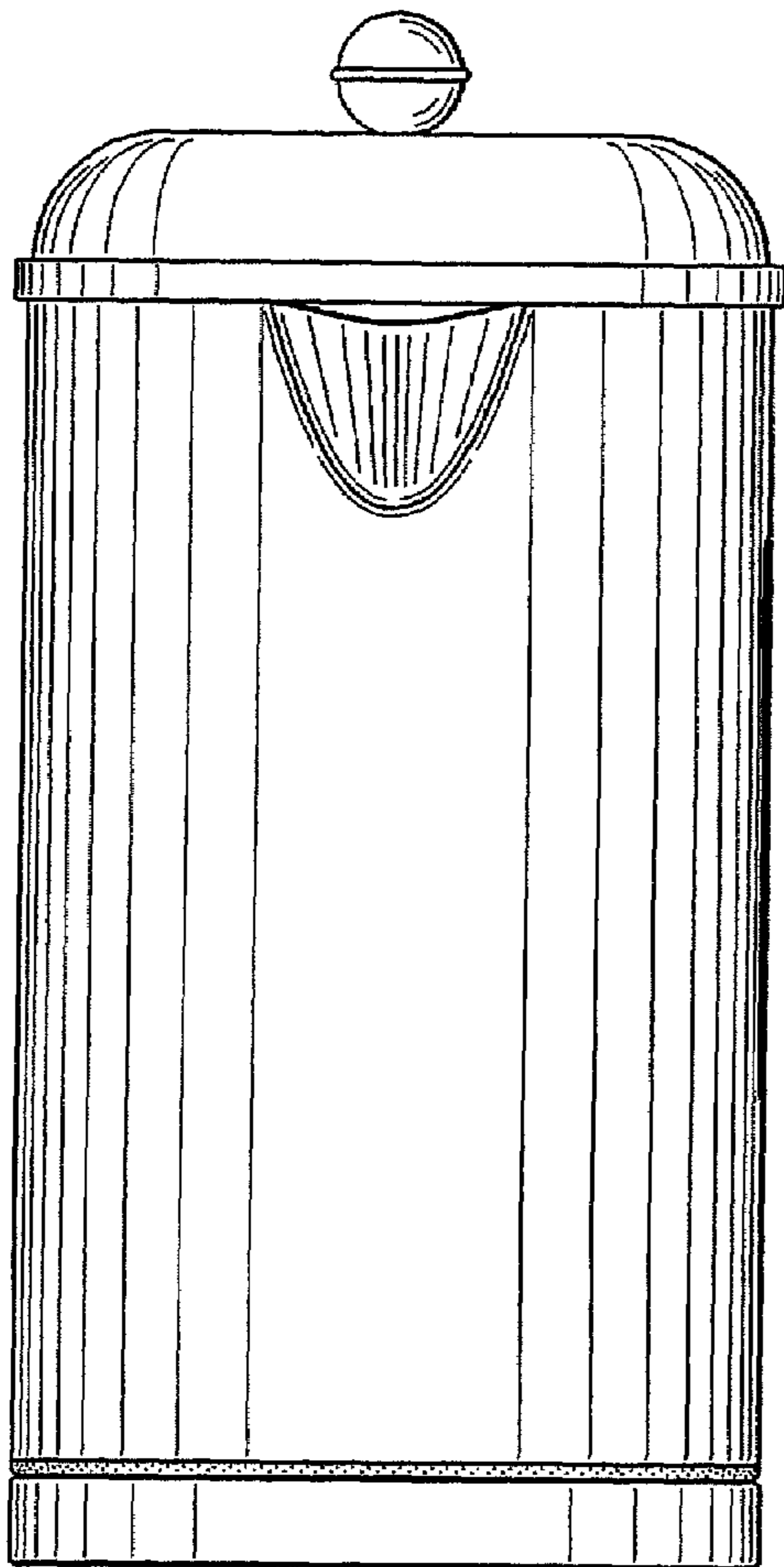


FIGURE 4

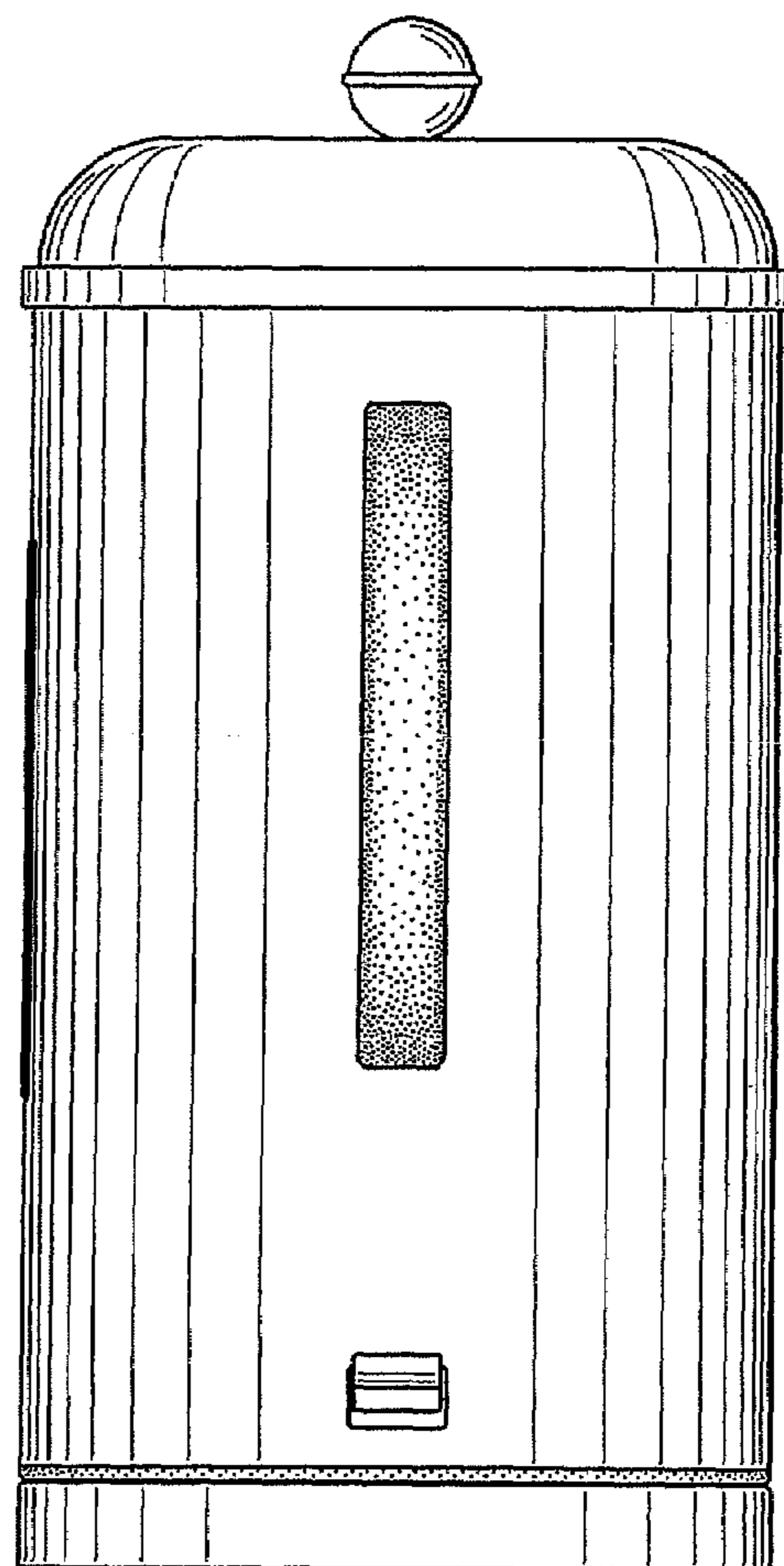


FIGURE 5

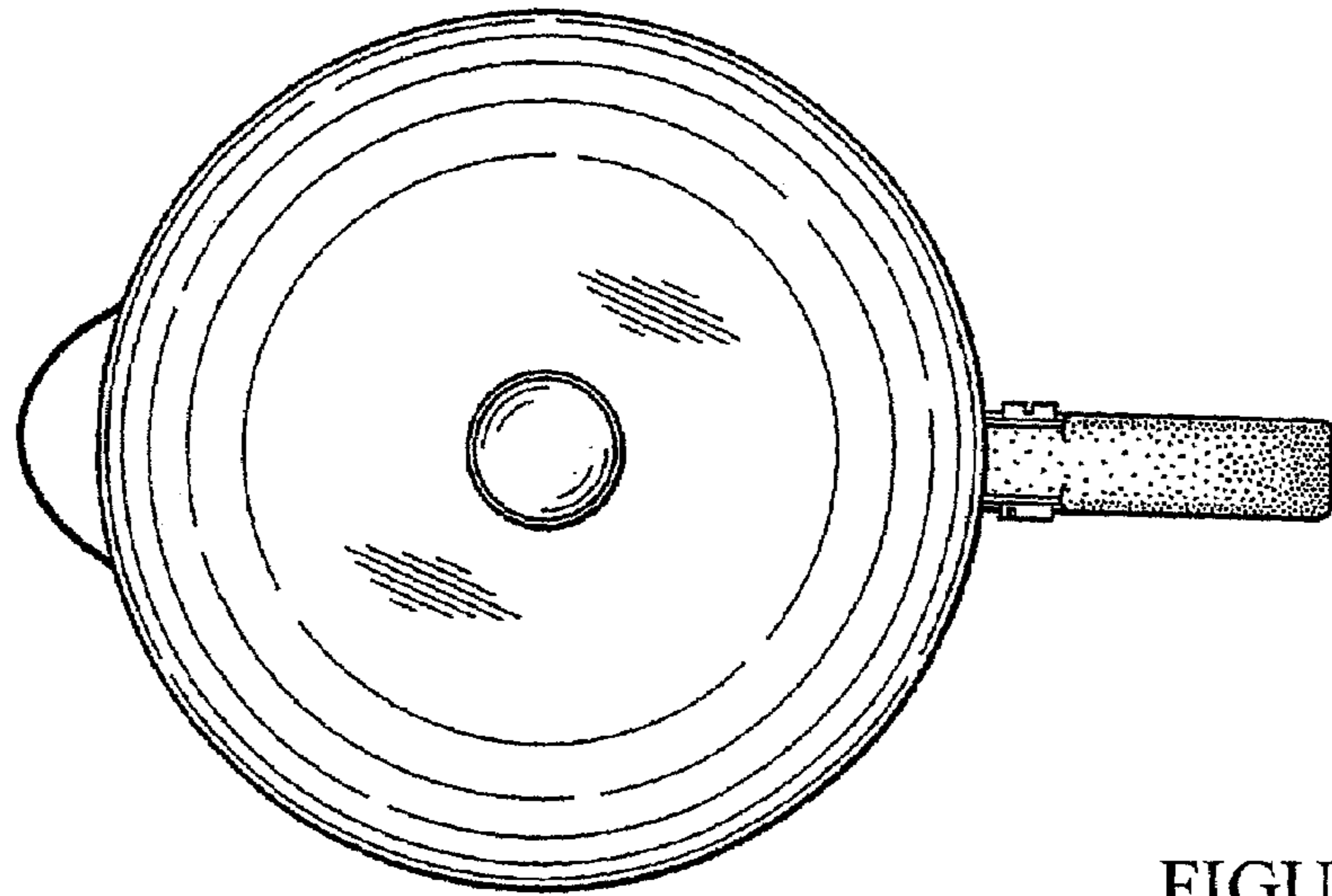


FIGURE 6

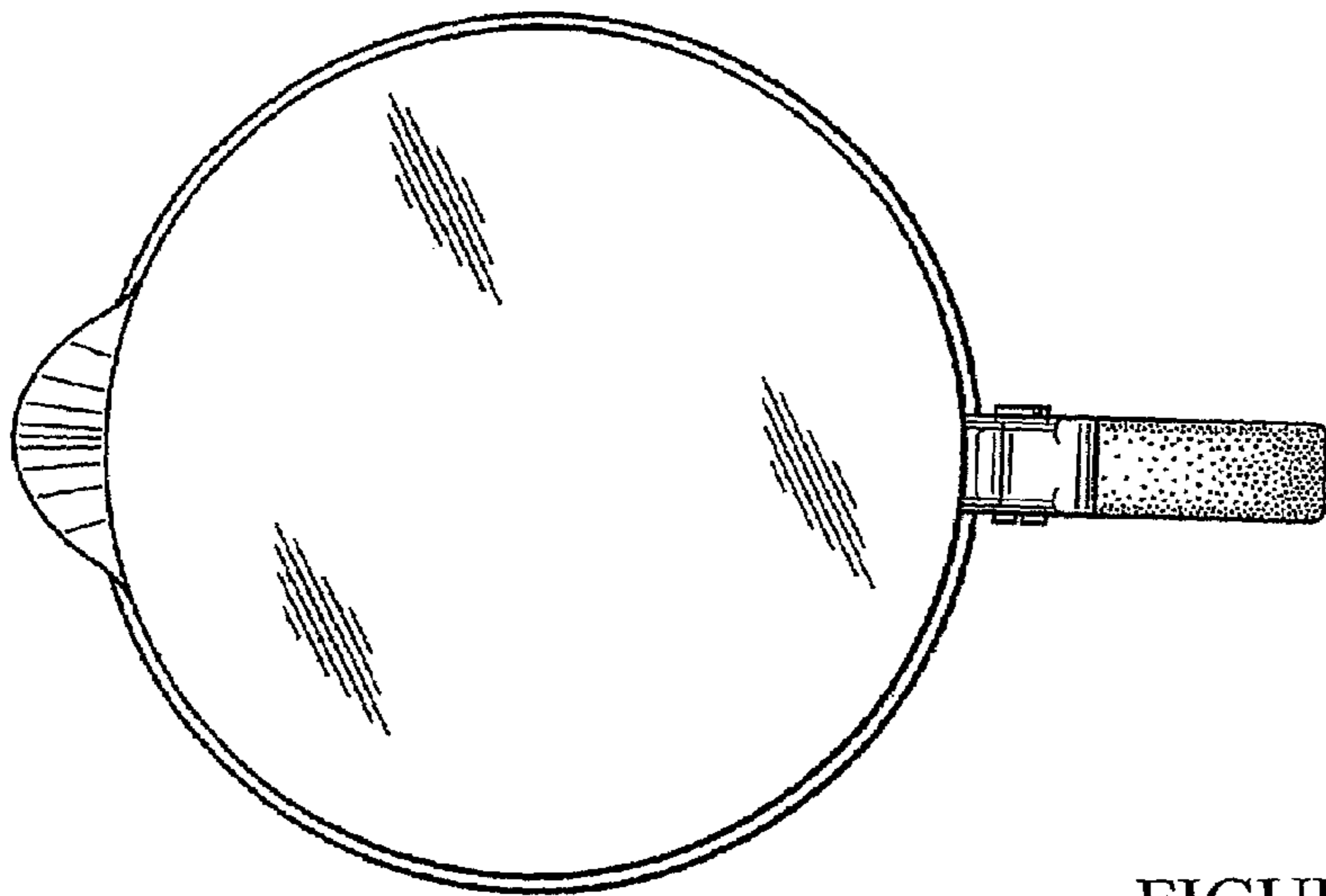


FIGURE 7