



US00D603208S

(12) **United States Design Patent**  
**Jaffe et al.**

(10) **Patent No.:** **US D603,208 S**  
(45) **Date of Patent:** **\*\* Nov. 3, 2009**

(54) **DISPENSING UNIT FOR BEVERAGE CONTAINERS**

(75) Inventors: **Danene Jaffe**, Weston, FL (US); **Asoka Veeravagu**, Boynton Beach, FL (US); **Adam Day**, Boynton Beach, FL (US); **Mark Bates**, Westwood, MA (US)

(73) Assignee: **Sunbeam Products, Inc.**, Boca Raton, FL (US)

(\*\*) Term: **14 Years**

(21) Appl. No.: **29/323,691**

(22) Filed: **Aug. 29, 2008**

(51) **LOC (9) Cl.** ..... **07-01**

(52) **U.S. Cl.** ..... **D7/307; D7/308**

(58) **Field of Classification Search** ..... D7/300,  
D7/397, 306-311; 222/129.1-129.4, 146.6,  
222/146.1

See application file for complete search history.

(56) **References Cited**

**U.S. PATENT DOCUMENTS**

D183,778 S *	10/1958	Smith	.....	D7/313
3,237,810 A *	3/1966	Gran	.....	222/146.6
3,435,990 A *	4/1969	Pike, Jr.	.....	222/1
D245,249 S *	8/1977	Preble	.....	D7/300
4,304,341 A *	12/1981	Shirley	.....	222/131

4,986,448 A *	1/1991	Takahashi et al.	.....	222/129.1
D316,796 S *	5/1991	Kirschner et al.	.....	D7/311
D316,940 S *	5/1991	Boyd	.....	D6/467
D407,594 S *	4/1999	Jones et al.	.....	D7/307
D436,491 S *	1/2001	Anderson	.....	D7/300
D482,231 S *	11/2003	Dickson et al.	.....	D7/378

\* cited by examiner

*Primary Examiner*—Marianne Pandozzi

(74) *Attorney, Agent, or Firm*—Lawrence J. Shurupoff

(57) **CLAIM**

The ornamental design for a dispensing unit for beverage containers, shown and described.

**DESCRIPTION**

FIG. 1 is a top front right perspective view of the dispensing unit for beverage containers, showing the new design;

FIG. 2 is a left side elevation view thereof;

FIG. 3 is a front elevation view thereof;

FIG. 4 is a right side elevation view thereof;

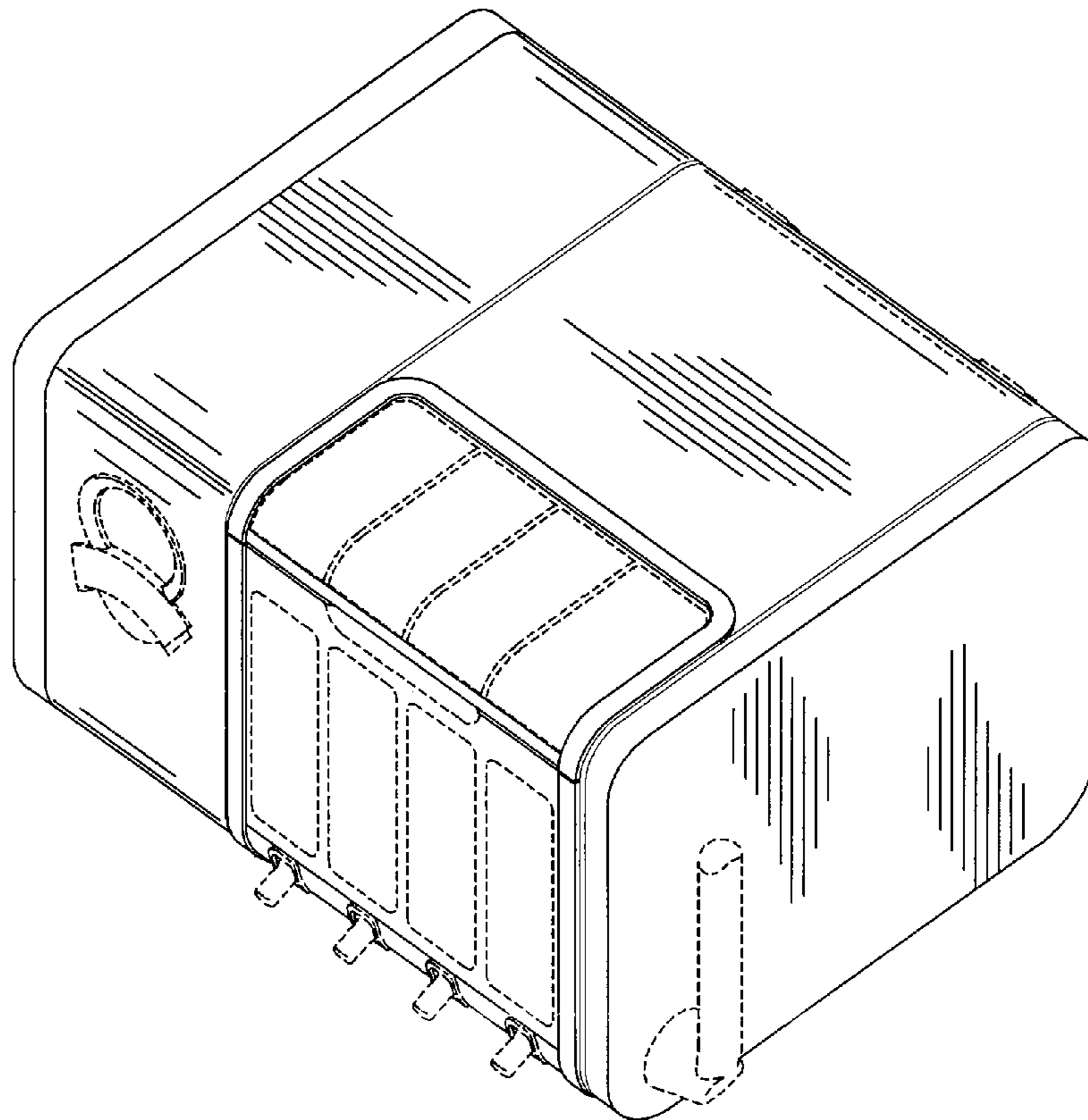
FIG. 5 is a rear elevation view thereof;

FIG. 6 is a top plan view thereof; and,

FIG. 7 is a bottom plan view thereof.

The broken lines in the drawings are for illustrative purposes only and form no part of the claimed design;

**1 Claim, 7 Drawing Sheets**



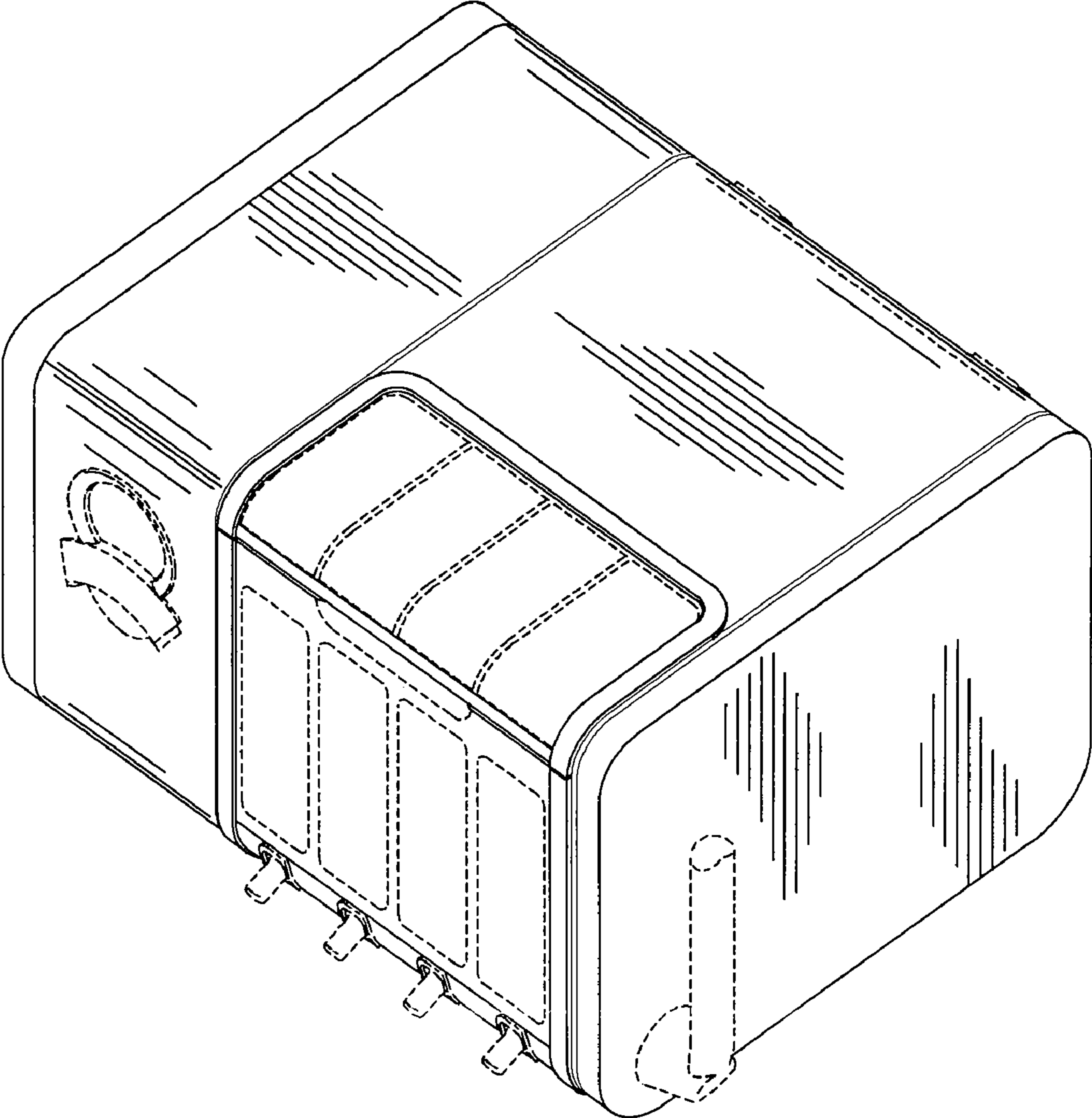


FIG 1

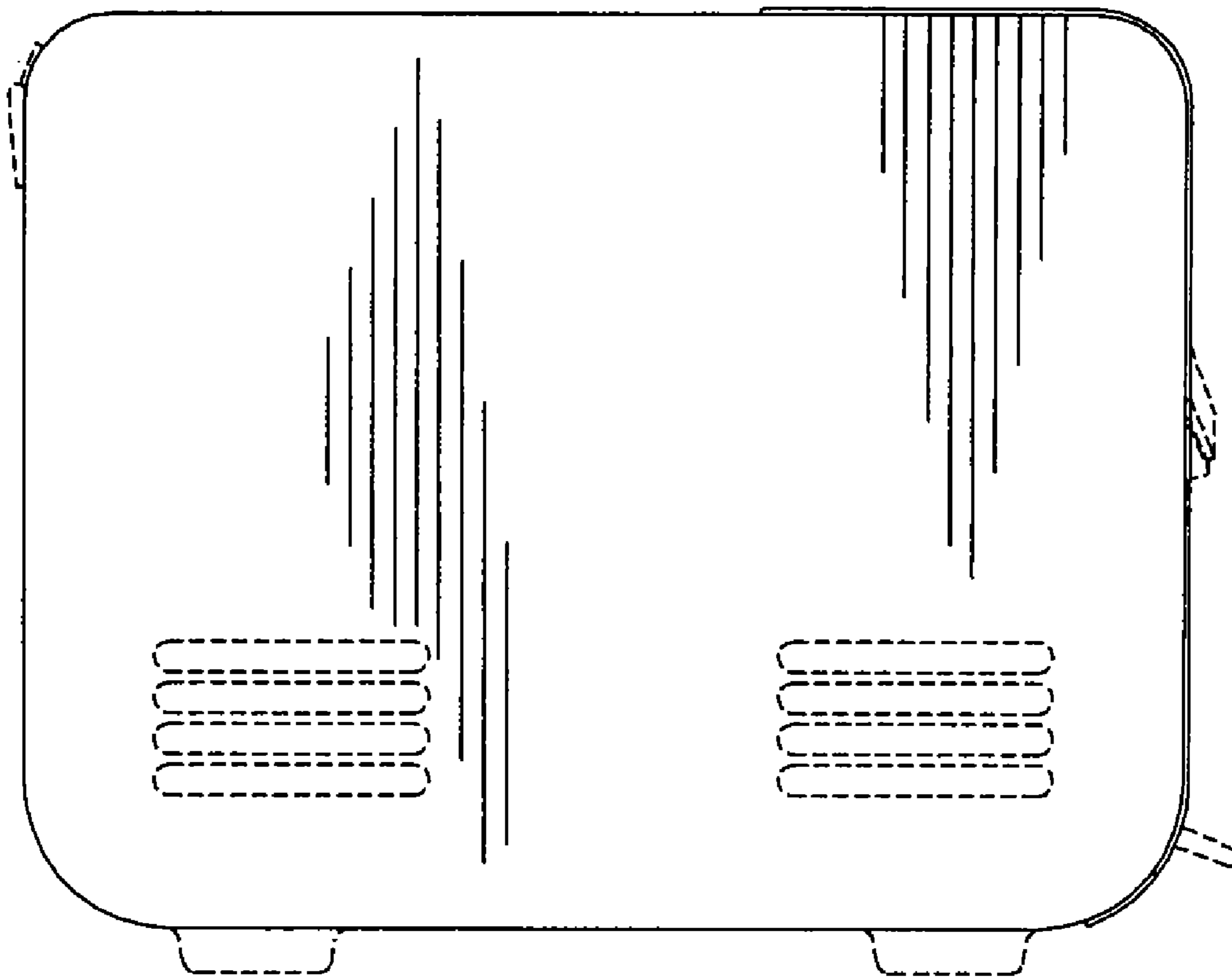


FIG 2

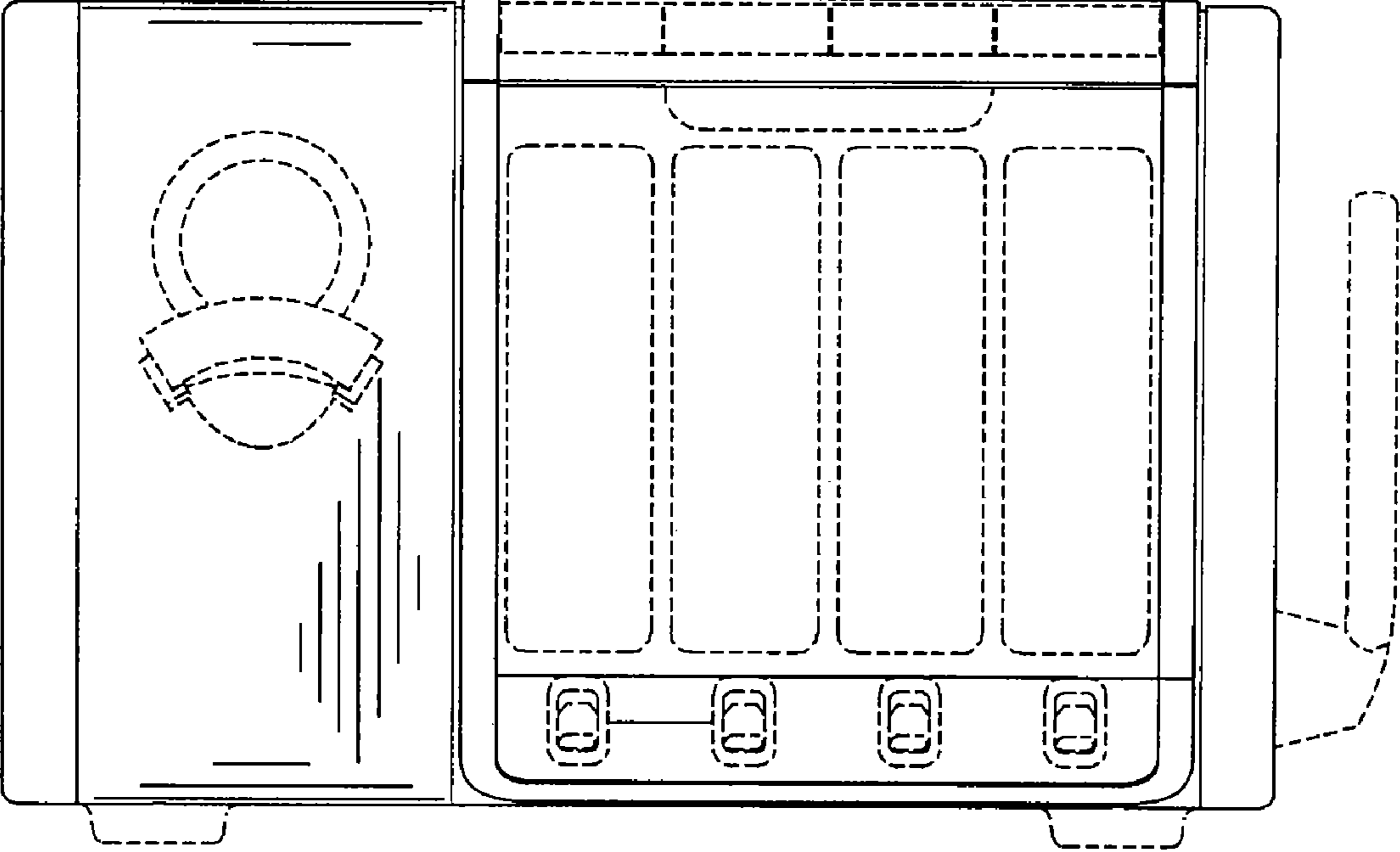


FIG 3

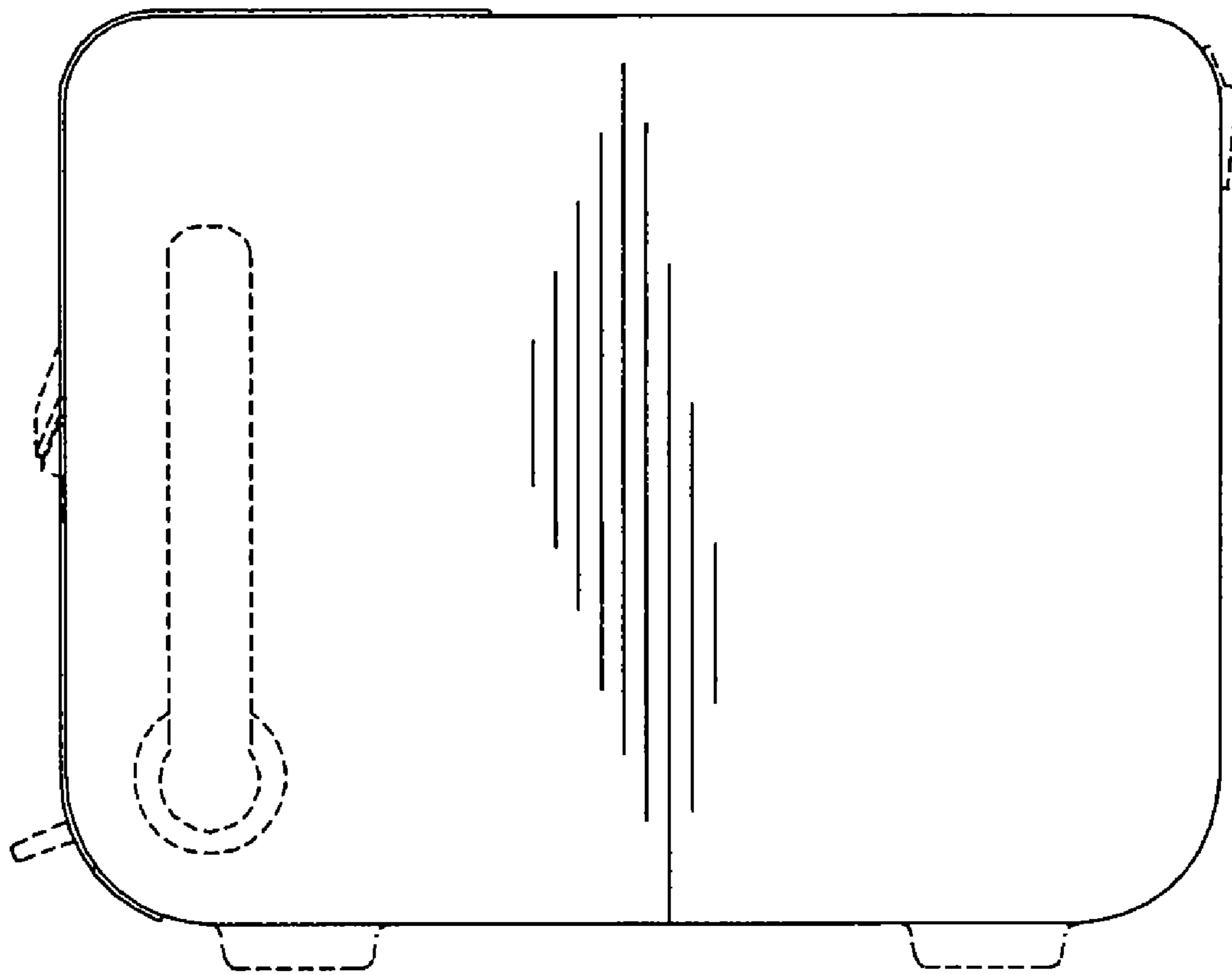


FIG 4

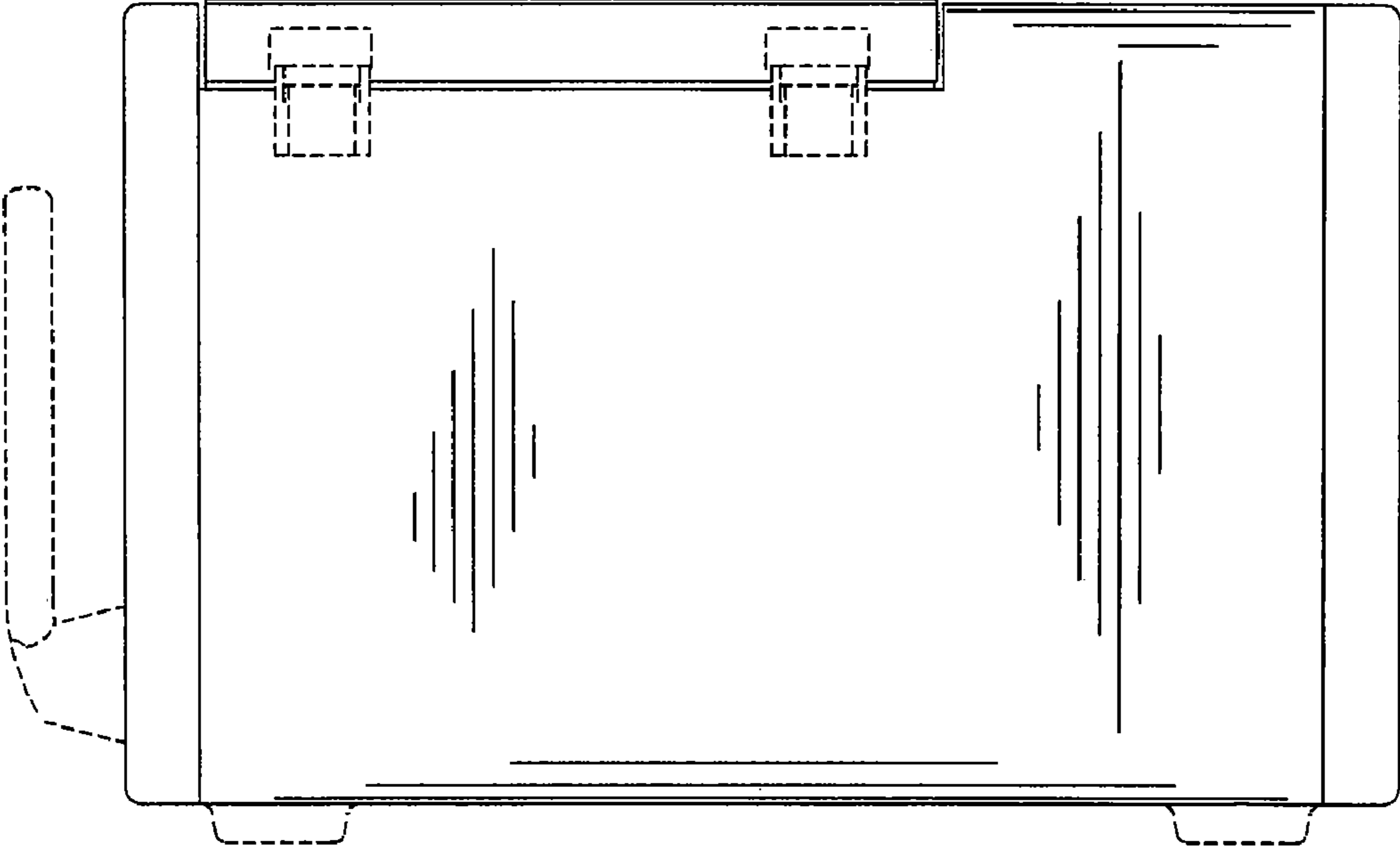


FIG 5

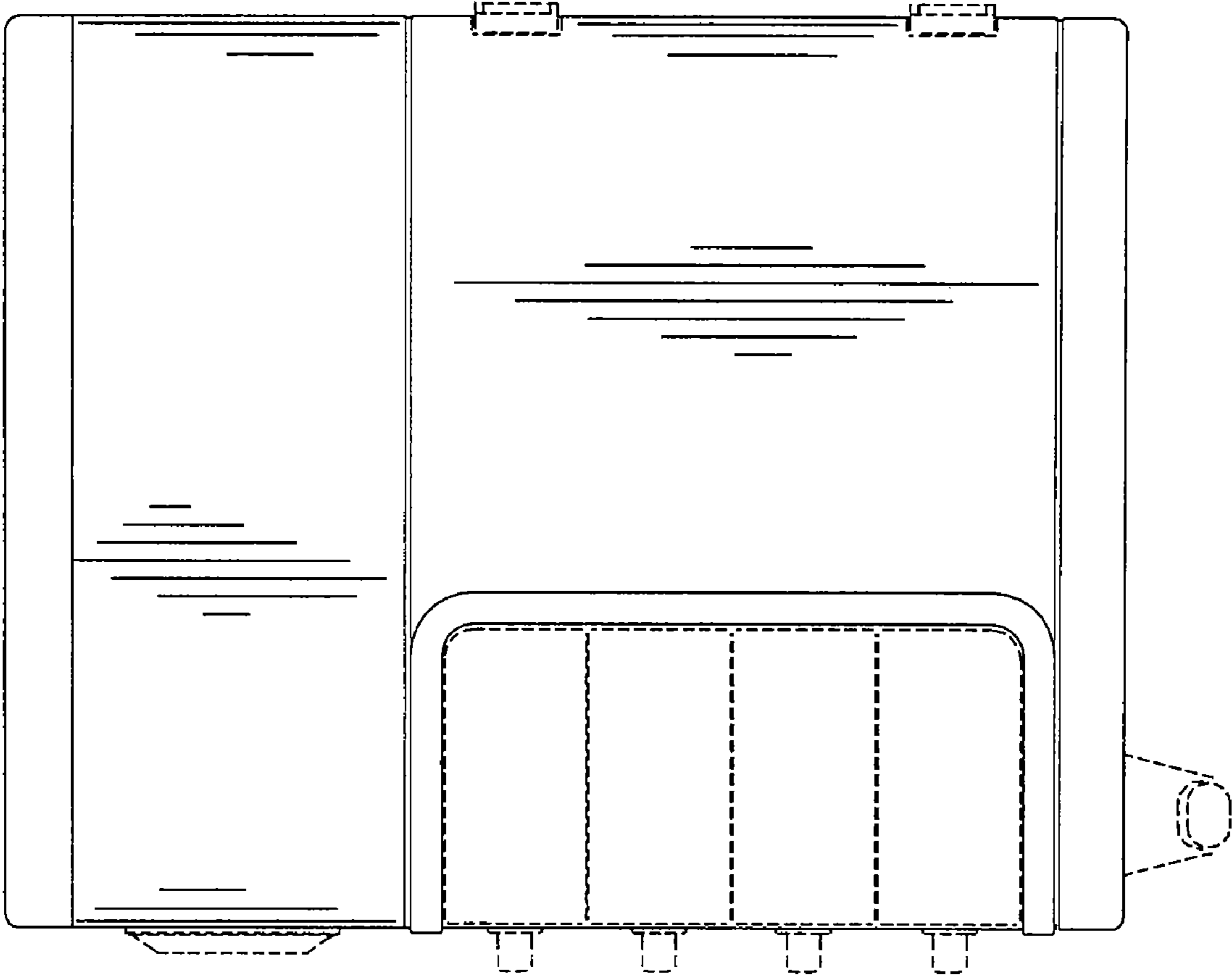


FIG 6

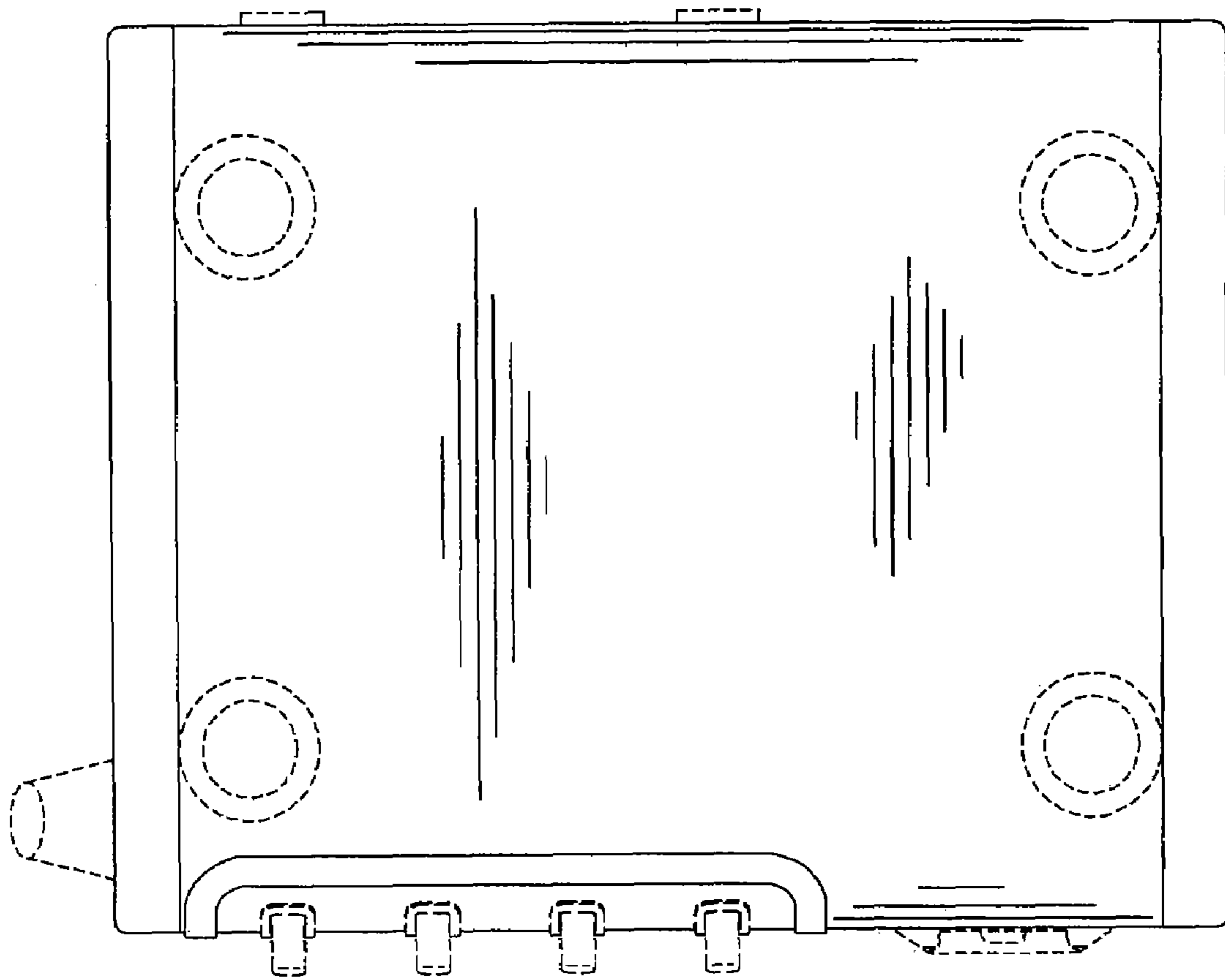


FIG 7