



US00D603206S

(12) **United States Design Patent**
Wallace

(10) **Patent No.:** **US D603,206 S**

(45) **Date of Patent:** **** Nov. 3, 2009**

(54) **DRINKING STRAW SLEEVE**

(76) Inventor: **Jamie M. Wallace**, 3221 Pine Needle
Cove, Round Rock, TX (US) 78681

(**) Term: **14 Years**

(21) Appl. No.: **29/326,609**

(22) Filed: **Oct. 21, 2008**

(51) **LOC (9) Cl.** **07-06**

(52) **U.S. Cl.** **D7/300.2**

(58) **Field of Classification Search** D7/300.2,
D7/305, 507, 510, 511; D9/436; D24/108;
215/229, 388, 389; 206/216; 239/16, 24-33;
433/91; 220/705, 706, 709

See application file for complete search history.

(56) **References Cited**

U.S. PATENT DOCUMENTS

5,052,614	A	10/1991	Xuan	
5,085,335	A *	2/1992	Carbaugh	239/33
5,114,074	A	5/1992	Frauenthal et al.	
5,160,058	A *	11/1992	Ahn	215/388
5,201,460	A	4/1993	Caines	
5,647,499	A	7/1997	Piazza	
5,671,863	A	9/1997	Uliana	
5,897,013	A	4/1999	Manganiello	
6,123,219	A *	9/2000	Cornell et al.	220/705
6,158,611	A *	12/2000	Cornell et al.	220/706
D440,810	S *	4/2001	Olson	D7/300.2
6,234,342	B1 *	5/2001	Cornell et al.	220/706
6,431,434	B1	8/2002	Haughton et al.	
6,460,777	B2	10/2002	Float et al.	
6,561,434	B2 *	5/2003	Kaplan	239/33
6,745,949	B2	6/2004	Lee	
6,915,961	B2 *	7/2005	Renz et al.	239/33
6,929,135	B1 *	8/2005	Hajianpour	215/229
6,948,664	B2	9/2005	Sheedy	
D532,242	S *	11/2006	Aikens	D7/300.2
7,140,509	B2 *	11/2006	Yang	220/709

D567,004	S *	4/2008	Bottega	D7/300.2
2002/0185547	A1 *	12/2002	Kaplan	239/33
2003/0230635	A1 *	12/2003	Banach	239/33
2006/0027675	A1 *	2/2006	Takeda	239/33

* cited by examiner

Primary Examiner—Holly H Baynham

Assistant Examiner—Cynthia M Chin

(74) *Attorney, Agent, or Firm*—Scheinberg & Griner, LLP;
David Griner

(57) **CLAIM**

I claim the ornamental design for a drinking straw sleeve, as shown and described.

DESCRIPTION

The article in which the present design is embodied is generally a hollow, cylindrical tube with longitudinal slits in the drinking straw sleeve separating the top portion into a plurality of fanned-out extensions as evidenced in all Figures.

FIG. 1 is a horizontal perspective view of a drinking straw sleeve according to the present design.

FIG. 2 is a vertical perspective view of the drinking straw sleeve according to the present design.

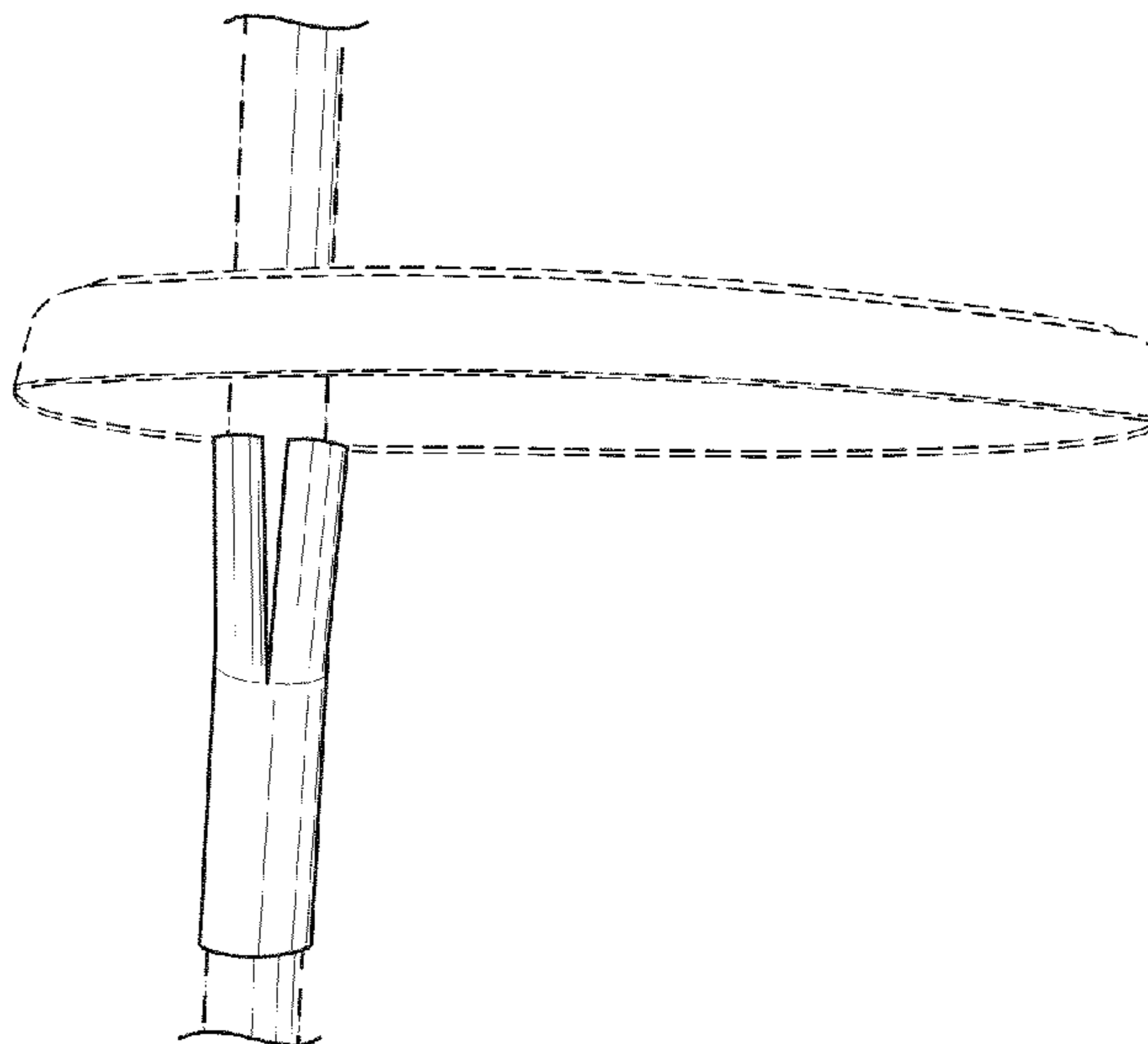
FIG. 3 is a bottom view of the drinking straw sleeve when looking from the bottom of the drinking straw sleeve through to the top.

FIG. 4 is a top view of the drinking straw sleeve when looking from the top of the drinking straw sleeve through to the bottom; and,

FIG. 5 is a view of the drinking straw sleeve when utilized and affixed on a drinking straw to prevent the straw from being easily removed from a container lid.

The broken lines showing the drinking straw and the container lid are for illustrative purposes only and form no part of the claimed design.

1 Claim, 2 Drawing Sheets



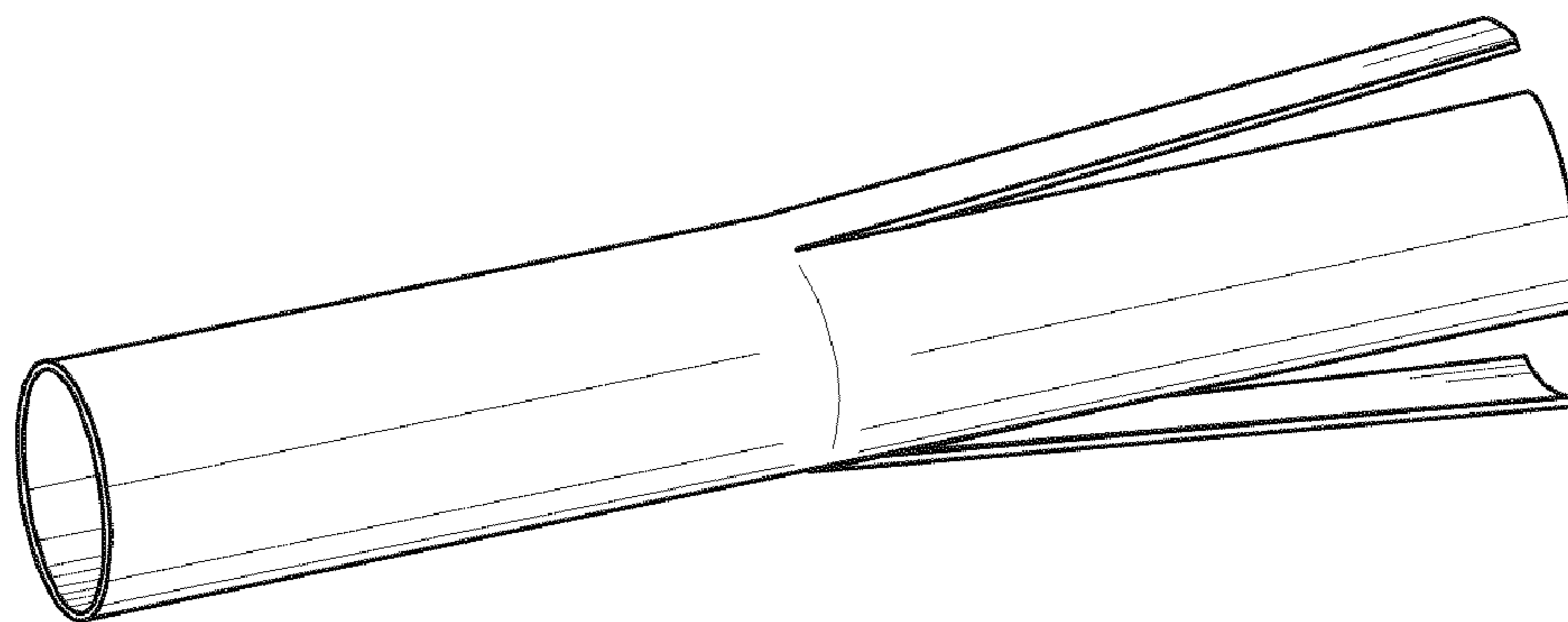


FIG. 1

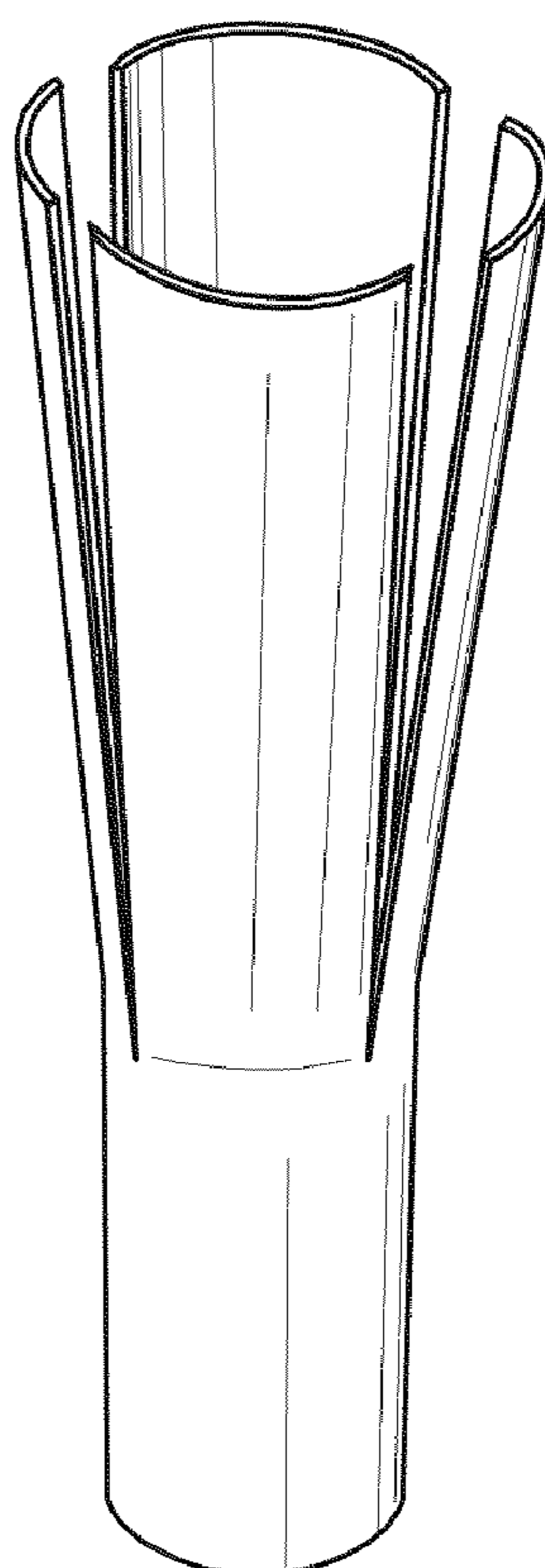


FIG. 2

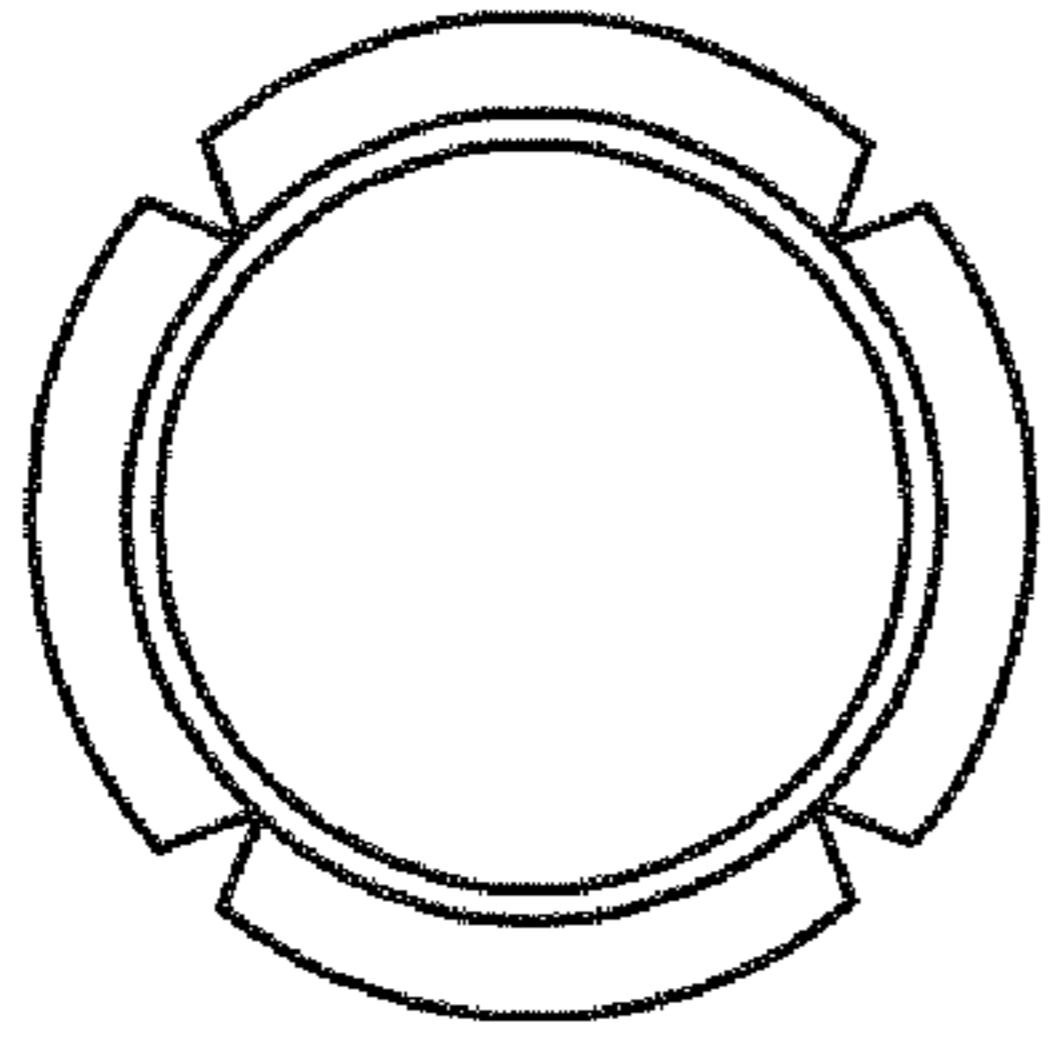


FIG. 3

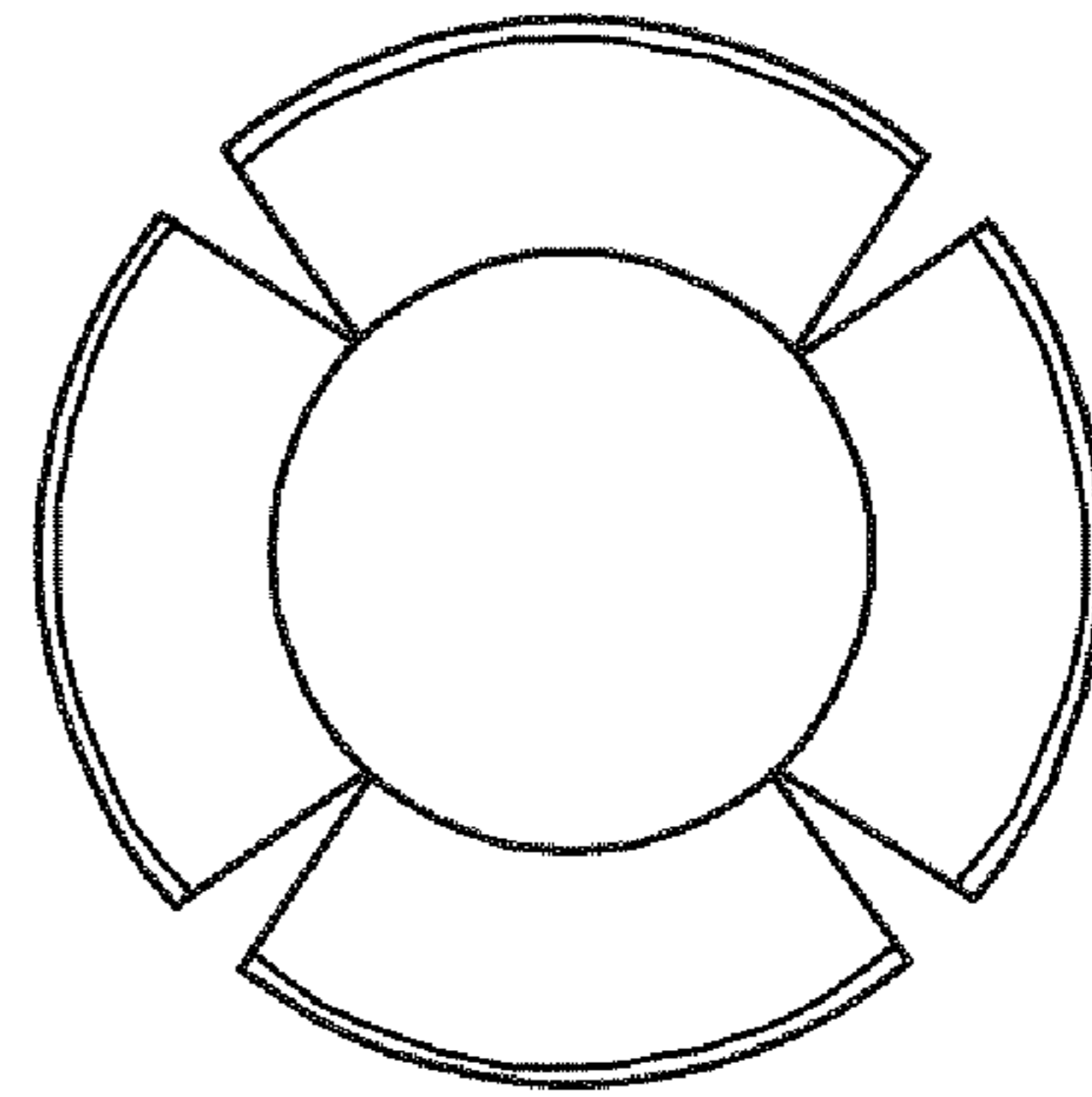


FIG. 4

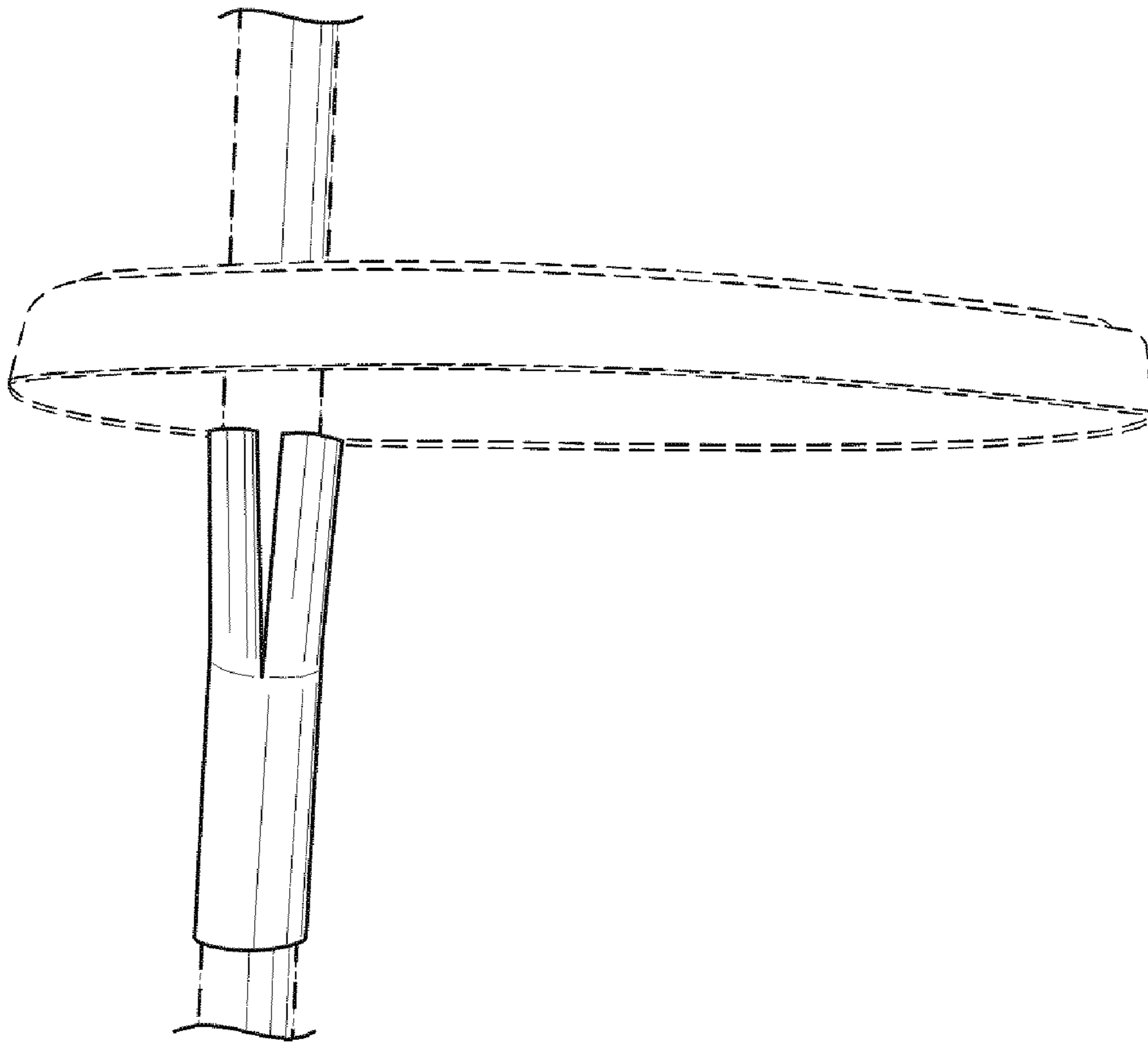


FIG. 5