



US00D603205S

(12) **United States Design Patent**  
**Choi**

(10) **Patent No.:** **US D603,205 S**

(45) **Date of Patent:** **\*\* Nov. 3, 2009**

(54) **OPTICAL MEDIA DISC CASE**

(75) Inventor: **King Yeung Choi**, Hong Kong (HK)

(73) Assignee: **Encore Holdings Ltd.**, Nassau (BS)

(\*\*) Term: **14 Years**

(21) Appl. No.: **29/328,098**

(22) Filed: **Nov. 18, 2008**

**Related U.S. Application Data**

(63) Continuation of application No. 12/034,625, filed on Feb. 20, 2008.

(51) **LOC (9) Cl.** ..... **06-02**

(52) **U.S. Cl.** ..... **D6/634**

(58) **Field of Classification Search** ..... D6/407, D6/626-635; D9/415, 418, 420, 422, 423, D9/424, 425, 426, 428, 432, 433; D3/247, D3/273, 294, 295, 299-301, 303; 206/307, 206/307.1, 308.1, 309, 311, 312, 313, 310, 206/751; 211/40, 41.1, 41.12; D14/478-479  
See application file for complete search history.

(56) **References Cited**

**U.S. PATENT DOCUMENTS**

6,092,652 A 7/2000 Evans  
D437,520 S \* 2/2001 Choi ..... D6/632  
D525,628 S \* 7/2006 Clatterbuck et al. .... D14/478

D526,652 S \* 8/2006 Clatterbuck et al. .... D14/478  
D527,009 S \* 8/2006 Clatterbuck et al. .... D14/478  
7,419,054 B1 \* 9/2008 Clayton ..... 206/232  
2002/0056654 A1 5/2002 Carman et al.  
2004/0144662 A1 \* 7/2004 Bologna et al. .... 206/308.1

\* cited by examiner

*Primary Examiner*—Charles A Rademaker

*Assistant Examiner*—Charles D Hanson

(74) *Attorney, Agent, or Firm*—Stephen M. De Klerk; Sonnenschein, Nath & Rosenthal LLP

(57) **CLAIM**

The ornamental design for an optical media disc case, as shown and described.

**DESCRIPTION**

FIG. 1 is a perspective view in closed configuration of an optical media disc case showing my new design;

FIG. 2 is a top plan view in closed configuration thereof;

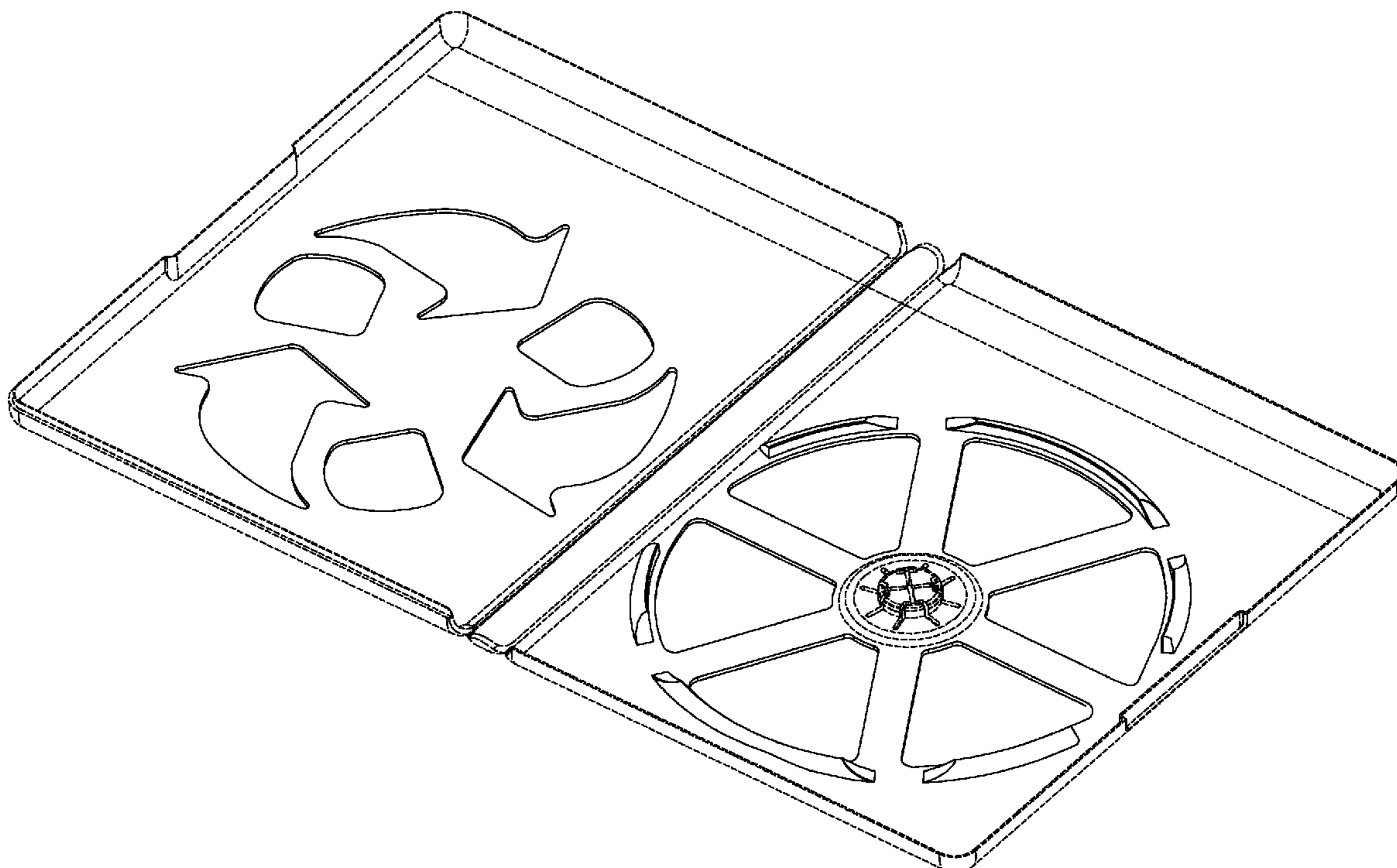
FIG. 3 is a bottom plan in open configuration view thereof;

FIG. 4 is a perspective view in open configuration thereof; and,

FIG. 5 is a top plan view in open configuration thereof.

The broken line showing of the disc case is included for the purpose of illustrating environment and forms no part of the claimed design.

**1 Claim, 5 Drawing Sheets**



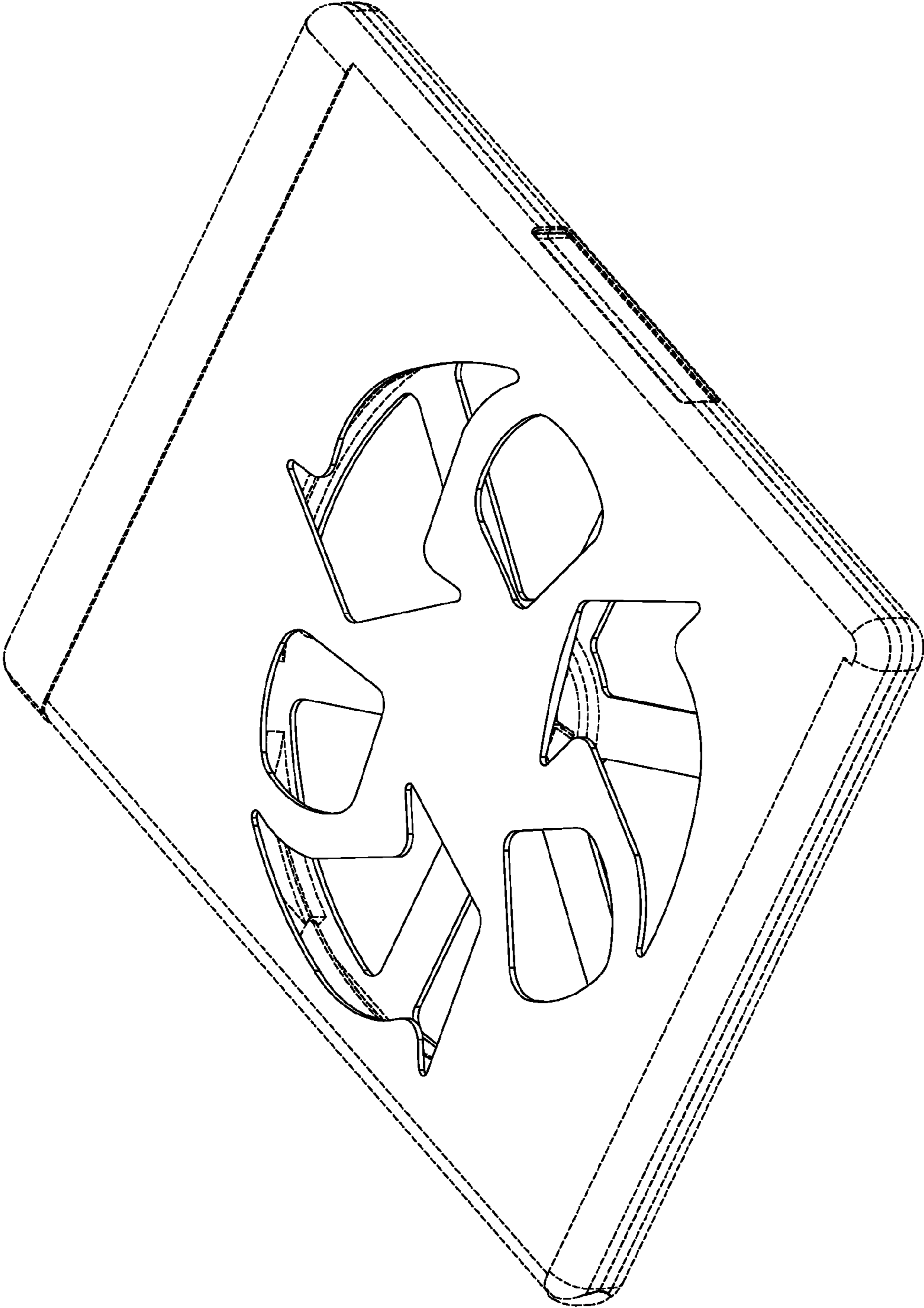


FIG. 1

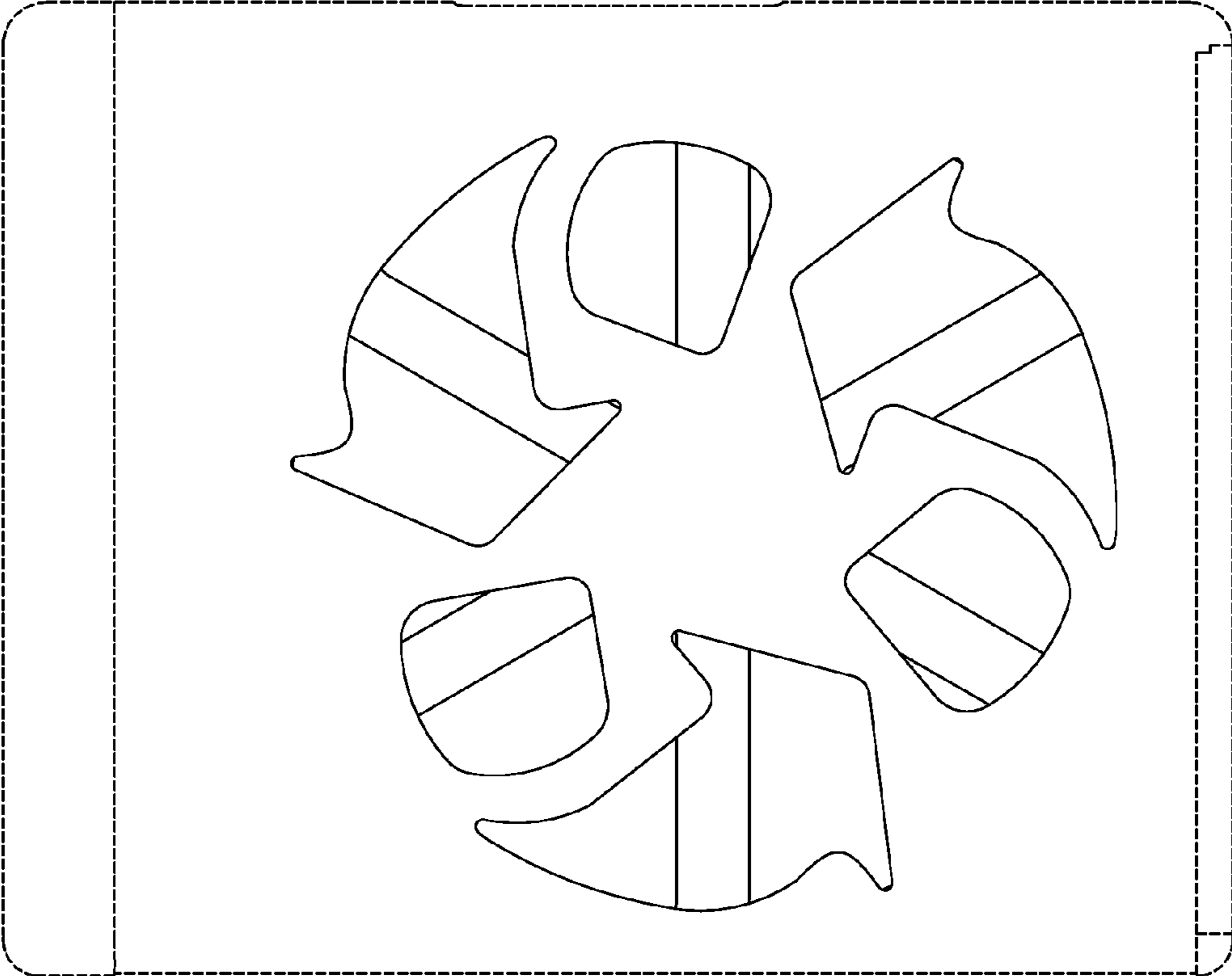


FIG. 2

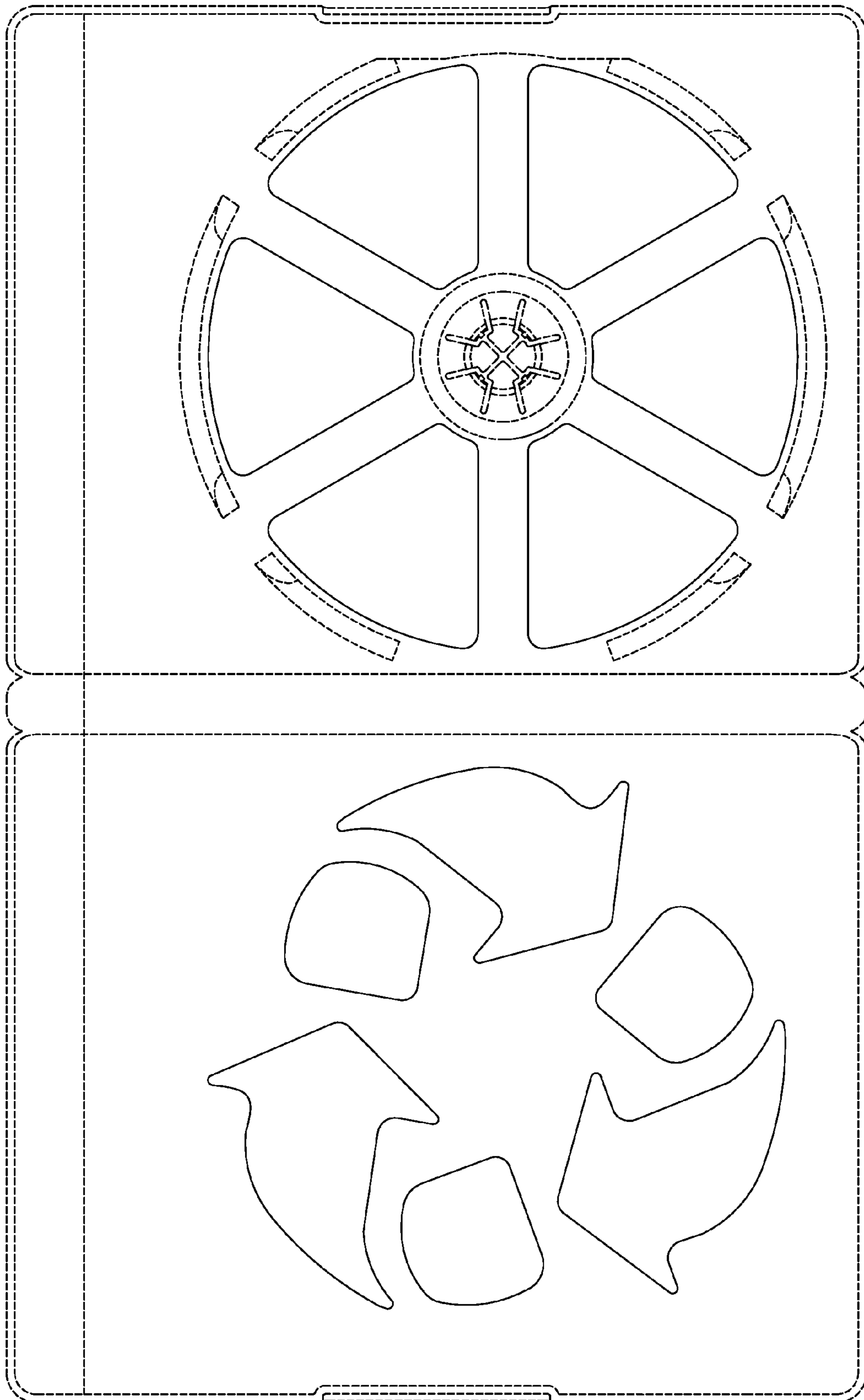


FIG. 3

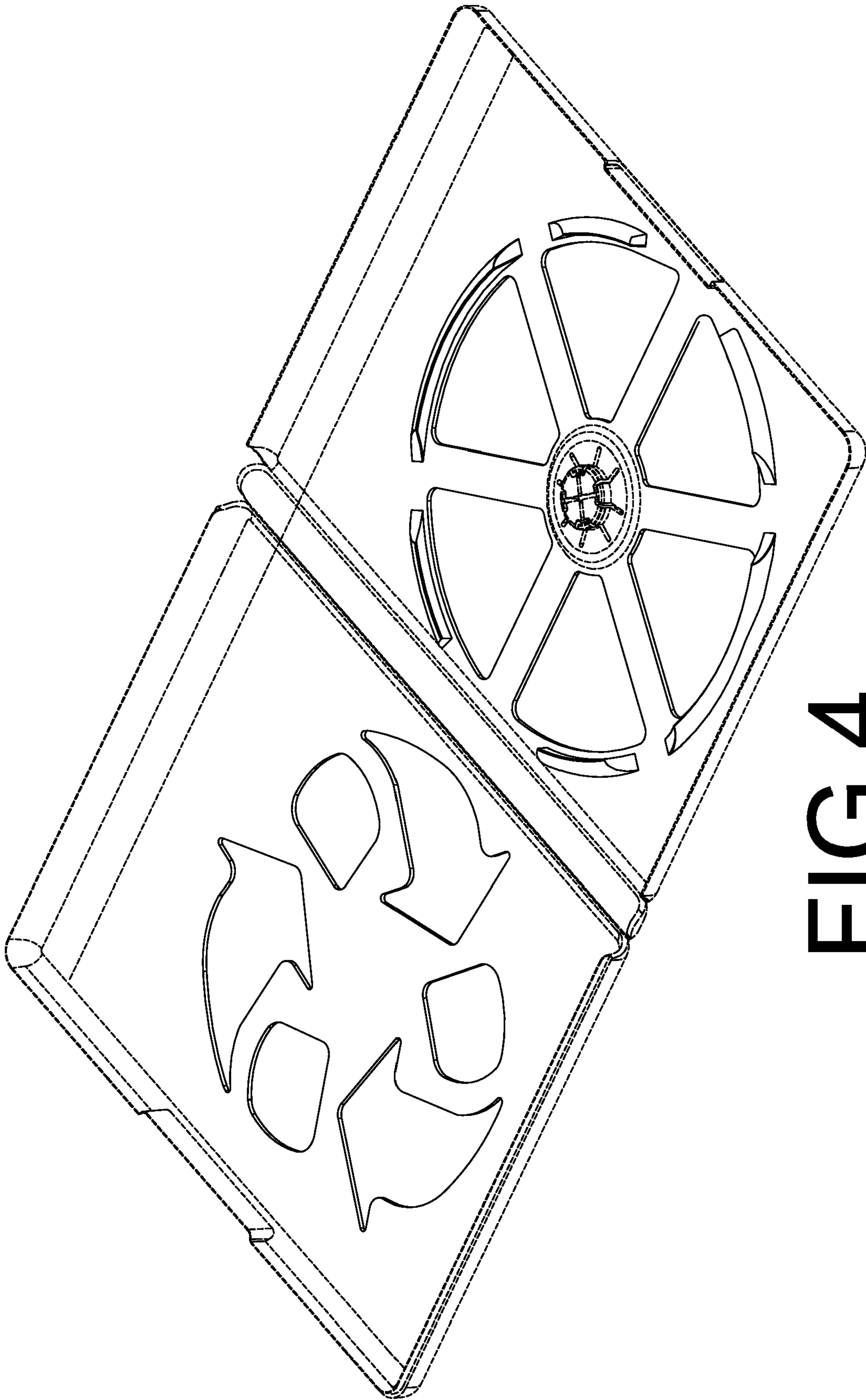


FIG.4

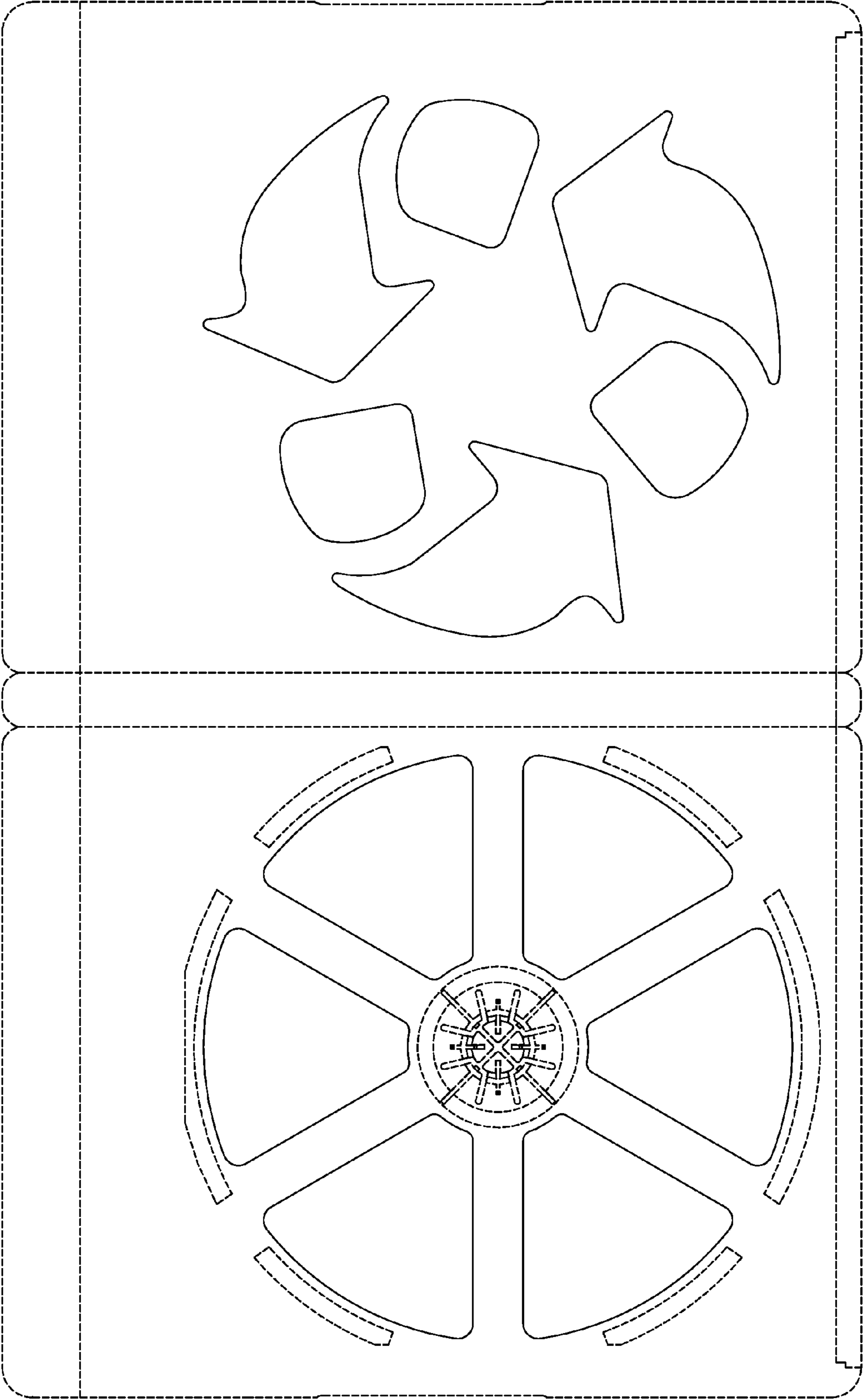


FIG. 5