



US00D603202S

(12) **United States Design Patent**
Choi

(10) **Patent No.:** **US D603,202 S**
(45) **Date of Patent:** **** Nov. 3, 2009**

- (54) **OPTICAL MEDIA DISC CASE**
- (75) Inventor: **King Yeung Choi**, Hong Kong (HK)
- (73) Assignee: **Encore Holdings Ltd.**, Nassau (BS)
- (**) Term: **14 Years**
- (21) Appl. No.: **29/327,219**
- (22) Filed: **Oct. 31, 2008**

- D526,652 S * 8/2006 Clatterbuck et al. D14/478
- D527,009 S * 8/2006 Clatterbuck et al. D14/478
- 7,419,054 B1 * 9/2008 Clayton 206/232
- 2002/0056654 A1 5/2002 Carman et al.
- 2004/0144662 A1 * 7/2004 Bologna et al. 206/308.1

* cited by examiner

Primary Examiner—Charles A Rademaker
Assistant Examiner—Charles D Hanson
 (74) *Attorney, Agent, or Firm*—Stephen M. De Klerk;
 Sonnenschein, Nath & Rosenthal LLP

Related U.S. Application Data

- (63) Continuation of application No. 12/034,625, filed on Feb. 20, 2008.

- (51) **LOC (9) Cl.** **06-02**
- (52) **U.S. Cl.** **D6/634; D6/407**
- (58) **Field of Classification Search** D6/407, D6/626-635; D9/415, 418, 420, 422, 423, D9/424, 425, 426, 428, 432, 433; D3/247, D3/273, 294, 295, 299-301, 303; 206/307, 206/307.1, 308.1, 309, 311, 312, 313, 310, 206/751; 211/40, 41.1, 41.12; D14/478-479
See application file for complete search history.

(56) **References Cited**

U.S. PATENT DOCUMENTS

- 6,092,652 A 7/2000 Evans
- D437,520 S * 2/2001 Choi D6/632
- D525,628 S * 7/2006 Clatterbuck et al. D14/478

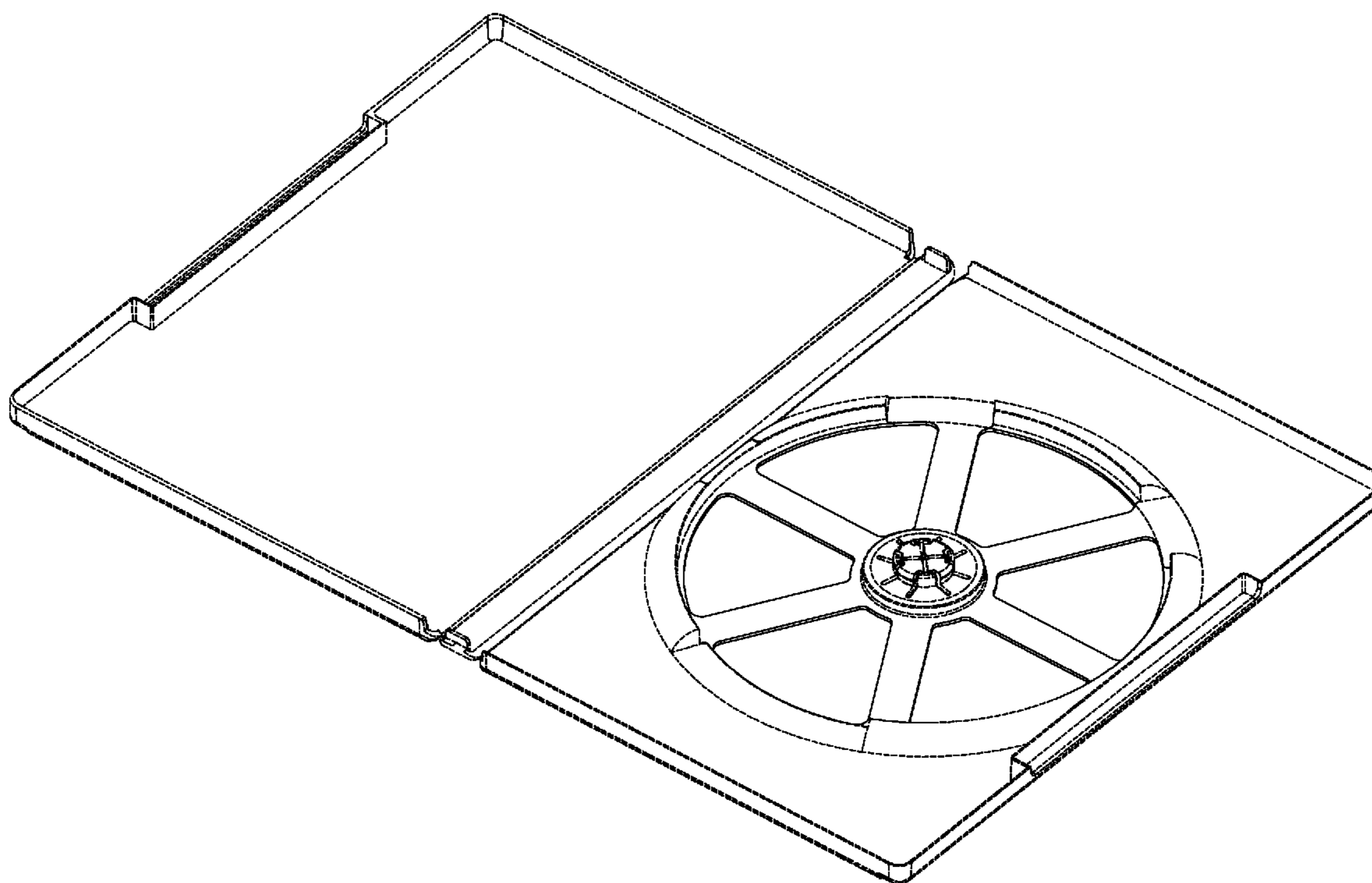
(57) **CLAIM**

The ornamental design for an optical media disc case, as shown and described.

DESCRIPTION

FIG. 1 is a perspective view in closed configuration of an optical media disc case showing my new design;
 FIG. 2 is a top plan view in closed configuration thereof;
 FIG. 3 is a bottom plan in open configuration view thereof;
 FIG. 4 is a perspective view in open configuration thereof; and,
 FIG. 5 is a top plan view in open configuration thereof.
 The broken line showing of the disc case is included for the purpose of illustrating environment and forms no part of the claimed design.

1 Claim, 5 Drawing Sheets



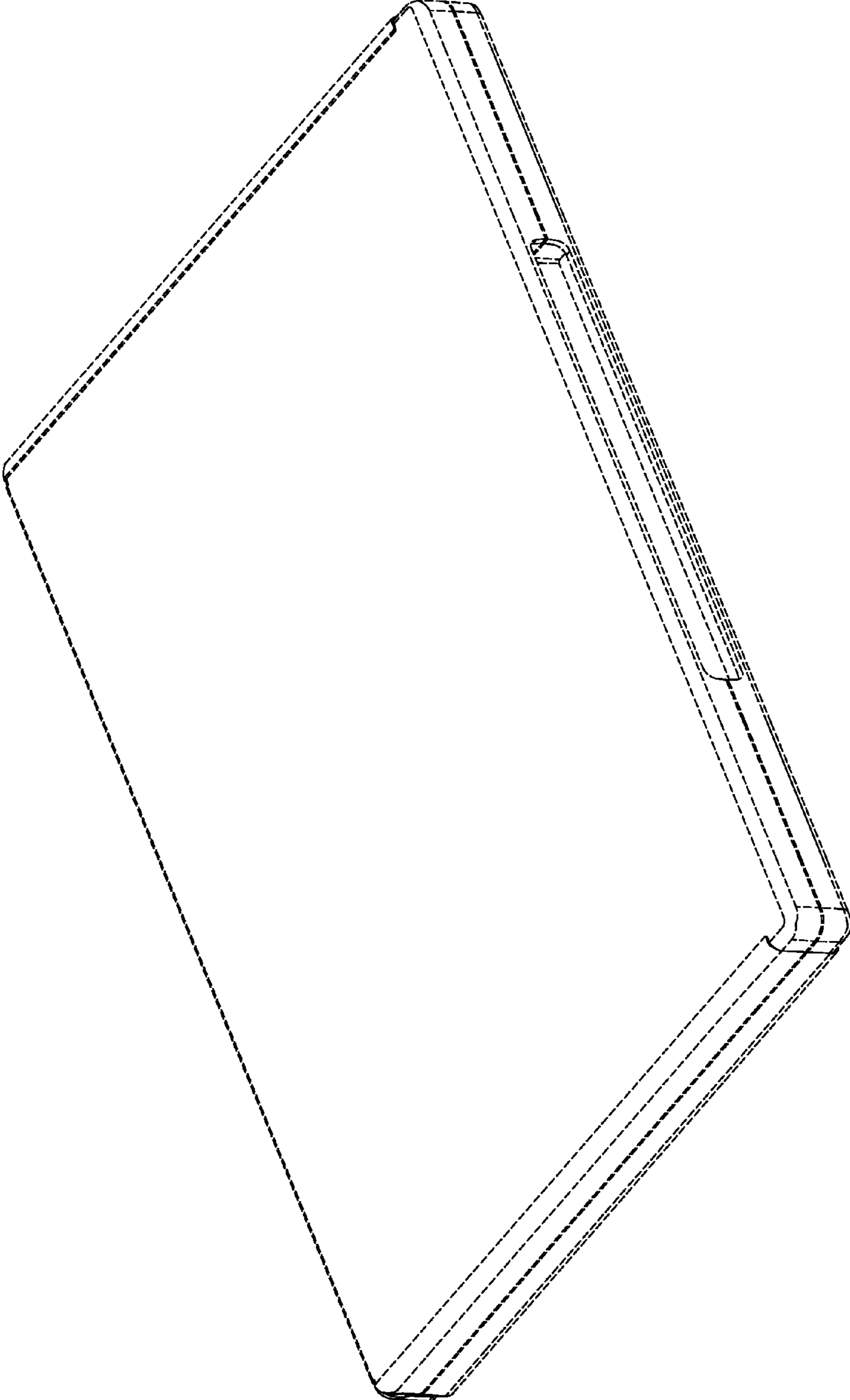


FIG. 1

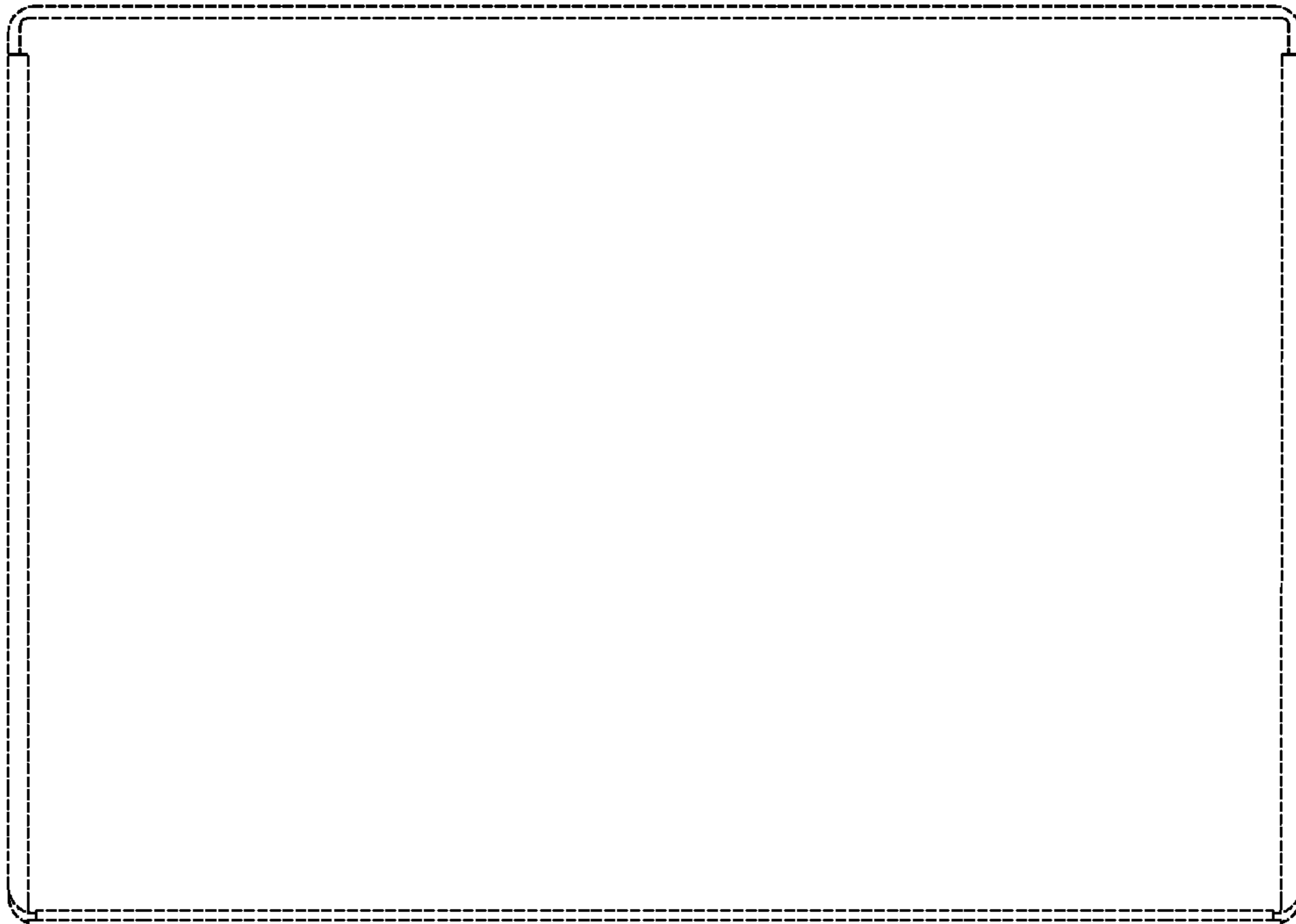


FIG. 2

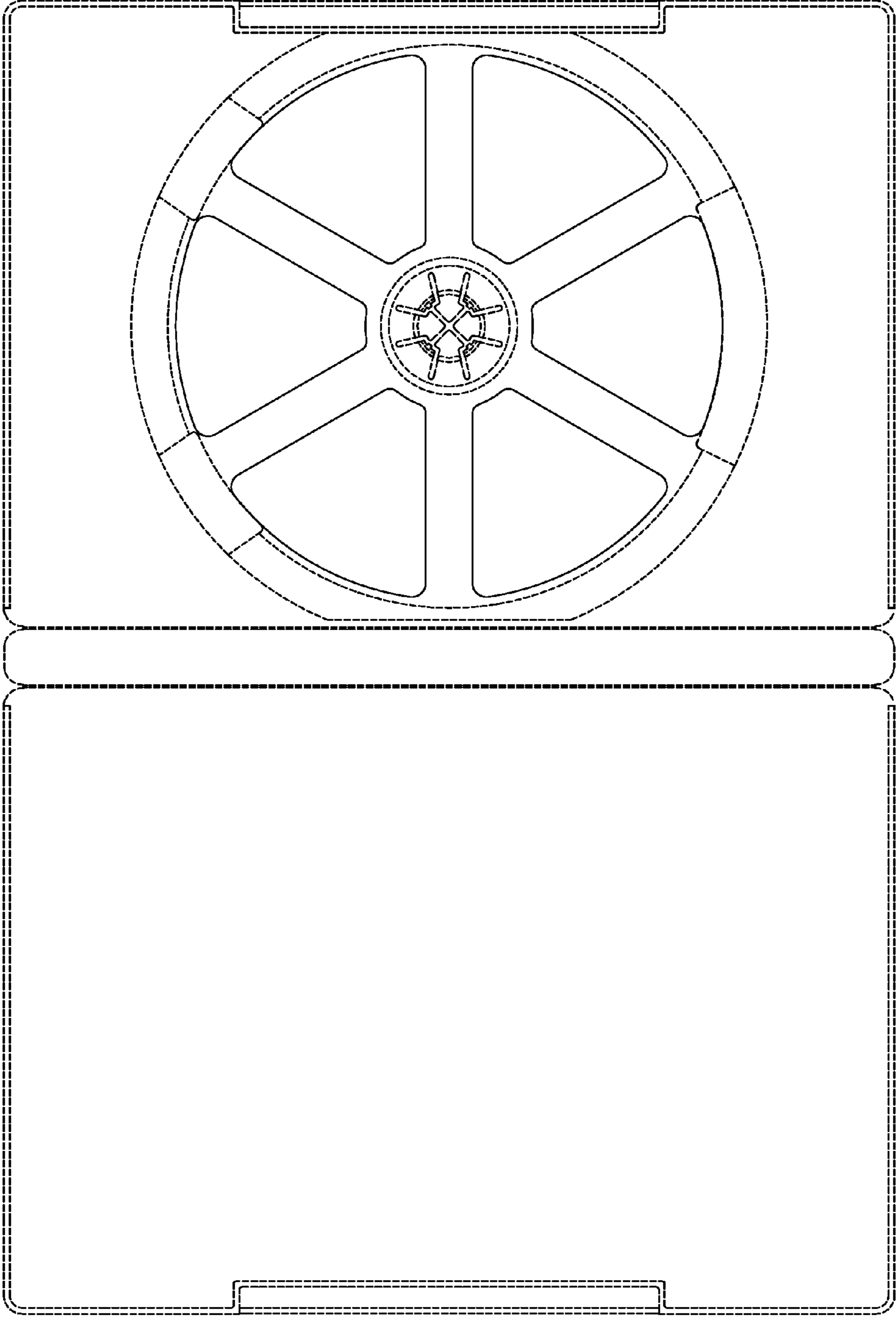


FIG. 3

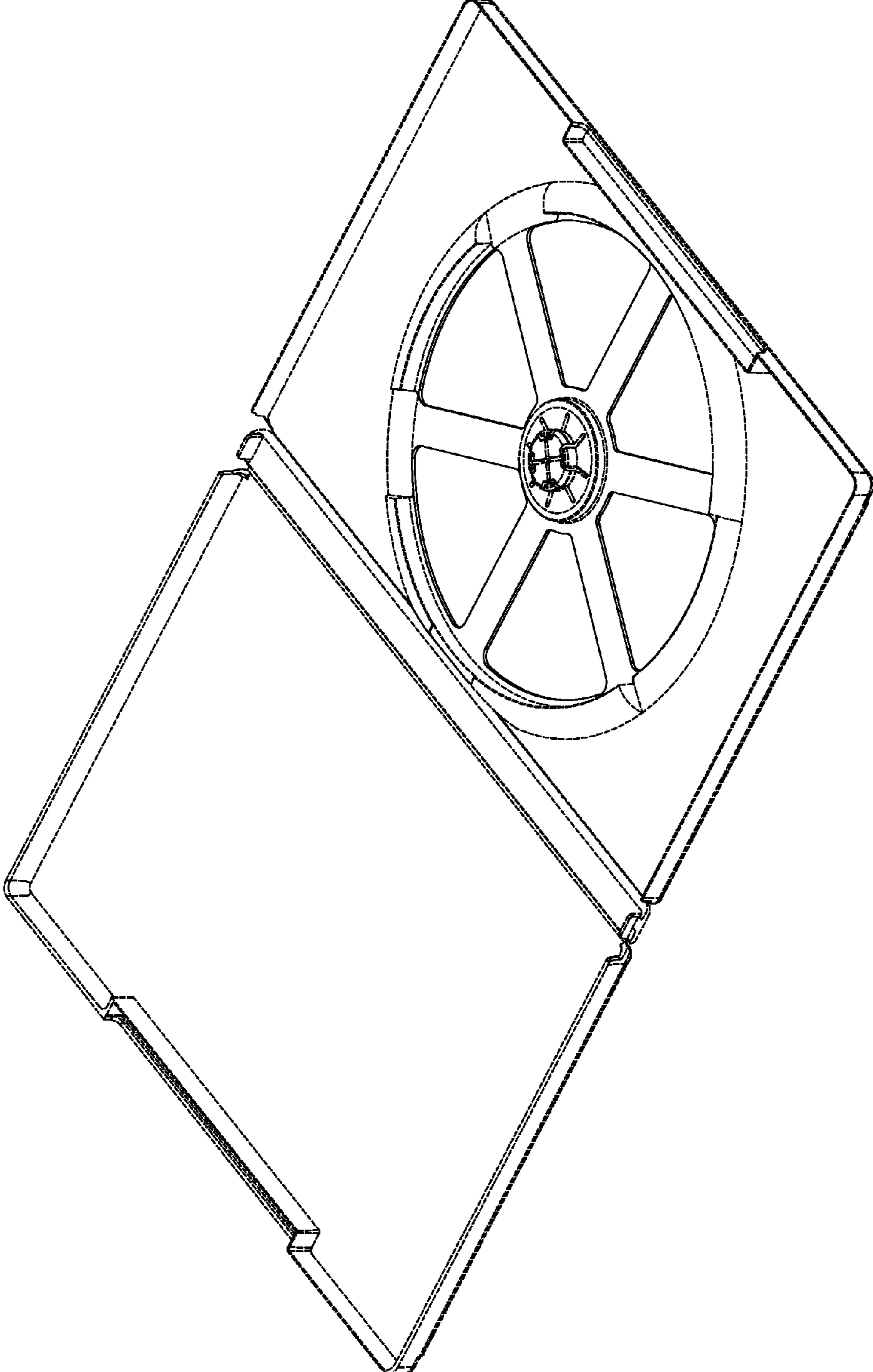


FIG.4

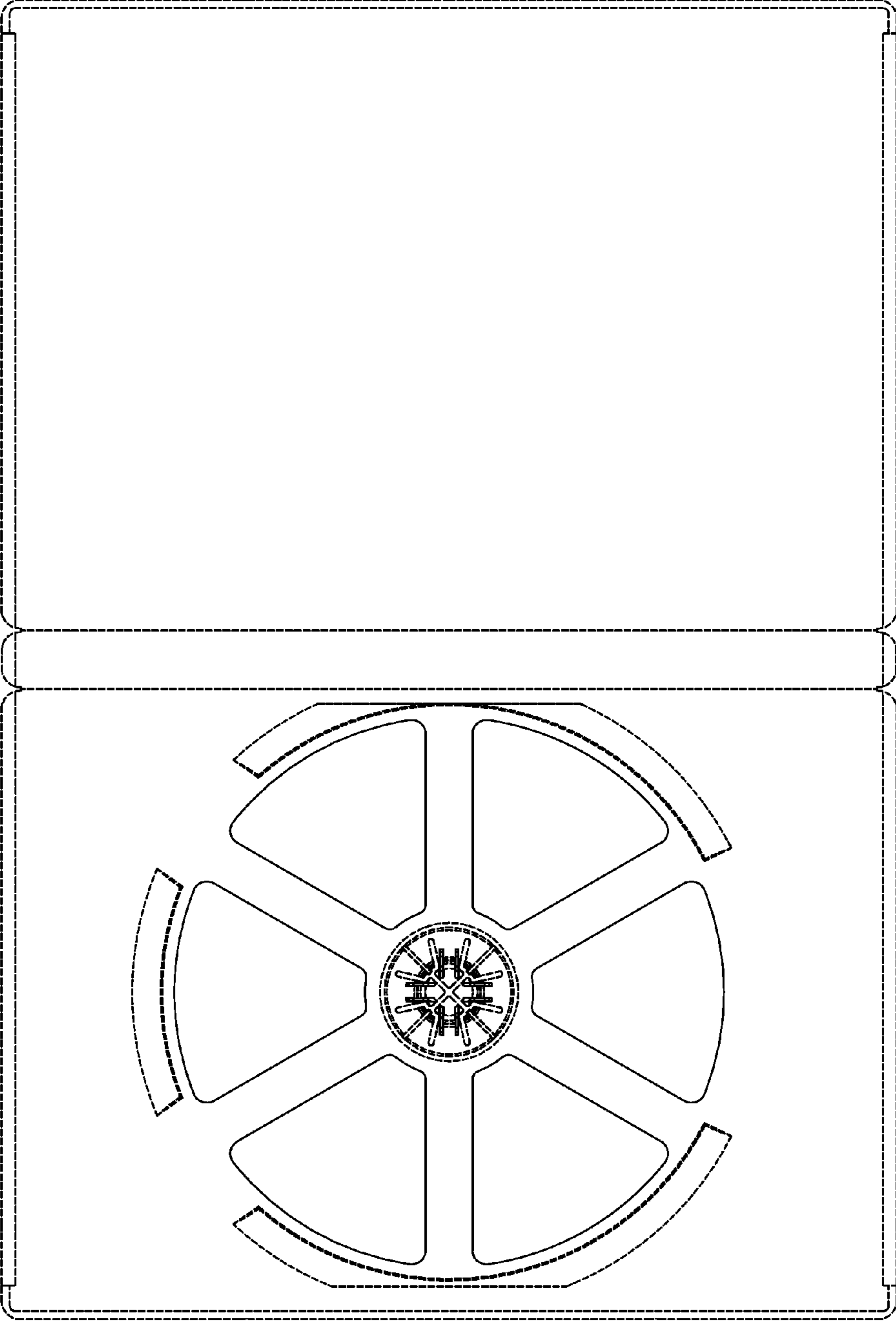


FIG. 5